



Next Generation Delivery Vehicle



TABLE OF CONTENTS



Frame

Bumper,Front	1 - 12
Bumper,Rear	1 - 14
Bumper,RR,MTG	1 - 16
Crash Support,Front	1 - 18

Rear Suspension

Suspension Assy,Rear,ICE	2 - 20
Suspension Assy,Rear,BEV	2 - 22
Anti-Sway Bar,Rear	2 - 24
Control Arm,Lower,Rear	2 - 26
Axle Stops,Rear,AWD	2 - 28
Axle Stops,Rear,FWD	2 - 30
Shock Absorber,Rear,AWD	2 - 32
Shock Absorber,Rear,FWD	2 - 34
Spring,Leaf,Rear	2 - 36
Spring,Coil,Rear	2 - 38

Front Suspension

Lower Control Arm,Assy,Front	3 - 40
Anti-Sway Bar,Front	3 - 42
Subframe,Suspension,Front	3 - 44
Spring,Strut,Front	3 - 46

Axle Propulsion

Halfshaft,CV,Front,FWD,ICE	4 - 48
Halfshaft,CV,Front,AWD,ICE	4 - 50
Halfshaft,CV,Front,BEV	4 - 52
Halfshaft,HD,RR,AWD,ICE	4 - 54
Halfshaft,HD,Rear,AWD,BEV	4 - 56
Wheel Drives,Front,ICE,BEV	4 - 58
Wheel Drives,Rear,AWD,ICE,BEV	4 - 60
Diff,RR,Assy,AWD,ICE	4 - 62

TABLE OF CONTENTS

Axle Assy,Beam,RR,FWD,ICE,BEV	4 - 64
Propshafts	4 - 66

Steering

Steering Gear,ICE	5 - 72
Steering Gear,BEV	5 - 74
Steering Column	5 - 76
Steering Shaft,Exterior	5 - 78
ECU, PSCM, NBX, BEV	5 - 80
ECU, PSCM, NIX, ICE	5 - 82
Module,SWCM	5 - 84

Wheels and Tires

Wheels and Tires	6 - 86
------------------------	--------

Brakes

Brakes, Hull Interior	7 - 88
Brakes,Hydraulic Disc,Front	7 - 90
Brakes,Hydraulic Disc,Rear,FWD	7 - 92
Brakes, Hydraulic Disc, Rear, AWD	7 - 95
Brakes,Chassis,AWD	7 - 98
Brakes,Chassis,FWD	7 - 100
Plumbing,Front	7 - 102
Plumbing,Rear,FWD	7 - 104
Plumbing,Rear,AWD	7 - 106
Brakes,ABS,Front	7 - 108
Brakes,ABS,RR,FWD	7 - 110
Brakes,ABS,RR,AWD	7 - 112
Brake,NGDV,ESP-ABS,ICE,FWD	7 - 114
Brakes,Vacuum,ICE	7 - 116
Brakes,Vacuum,BEV	7 - 118
Brake,NGDV,ESP-ABS,BEV,AWD	7 - 120
Brake,NGDV,ESP-ABS,BEV,FWD	7 - 122
Brake,NGDV,ESP-ABS,ICE,AWD	7 - 124

Engine

Air Cleaner Assembly	8 - 126
Plumbing,Air Intake	8 - 128

Camshaft	8 - 130
Crankshaft	8 - 132
Cylinder Blocks and Plugs	8 - 134
Cylinder Head	8 - 136
Cylinder Head Cover	8 - 138
Emission Control	8 - 140
Engine Assembly	8 - 142
Engine Ignition	8 - 144
Exhaust Gas Recirculation	8 - 146
Flywheel	8 - 148
Fuel Injection Pump	8 - 150
Fuel Injectors	8 - 152
Intake Manifold	8 - 154
Oil Pan	8 - 156
Oil Pump	8 - 158
Oil Cooler and Filter	8 - 160
Pulley	8 - 162
Thermostat and Housing	8 - 164
Throttle Housing	8 - 166
Timing Gear	8 - 168
Timing Gear Covers	8 - 170
Turbocharger	8 - 172
Water Pump	8 - 174
Module,PCM,ICE,AWD	8 - 176
Module,PCM,ICE,FWD	8 - 178

Battery Electric Vehicle (BEV) Motor

Drive Unit,Elec,Front	9 - 180
Drive Unit,Front,Electric	9 - 182
Drive Unit,Elec, Rear	9 - 184
Drive Unit,Rear,Electric	9 - 186

Transmission

Transmission Assy,AWD	10 - 188
Transmission Assy,FWD	10 - 190
Forward Clutch and Components AWD	10 - 192
Forward Clutch and Components FWD	10 - 194
Transmission External Components AWD	10 - 196
Transmission External Components FWD	10 - 198
Transmission Module and Sensors AWD	10 - 200
Transmission Module and Sensors FWD	10 - 202

TABLE OF CONTENTS

Transmission Pump Assembly, AWD	10 - 204
Transmission Pump Assembly, FWD	10 - 206
Chain Drive, AWD	10 - 208
Chain Drive FWD	10 - 210
Transmission Control Mechanisms AWD	10 - 212
Transmission Control Mechanisms FWD	10 - 214
Valve Body and Main Control AWD	10 - 216
Valve Body and Main Control FWD	10 - 218
Converter AWD	10 - 220
Converter FWD	10 - 222
Automatic Transaxle AWD	10 - 224
Intermediate Clutch AWD	10 - 226
Intermediate Clutch FWD	10 - 228
Planetary Gear Sets AWD	10 - 230
Planetary Gear Sets FWD	10 - 232
Direct Clutch and Components AWD	10 - 234
Direct Clutch and Components FWD	10 - 236
Overdrive Clutch Components AWD	10 - 238
Overdrive Clutch Components FWD	10 - 240
Module,E-Shift	10 - 242

Power Pack Auxiliary

Power Pack Supports,AWD,ICE	11 - 244
Power Pack Supports,FWD,ICE	11 - 248

Power Transfer Unit

Transfer Case, Single Speed	12 - 252
Module,CTRL,Transfer Case	12 - 255

Exhaust System

Exhaust System	13 - 258
Exhaust Heat Shield,AWD	13 - 261
Exhaust Heat Shield,FWD	13 - 263

Fuel System

Fuel Tank Assembly	14 - 266
Fuel Fill Cover,ICE	14 - 268
Fuel Fill Cover,BEV	14 - 270

Plumbing, Fuel System	14 - 272
-----------------------------	----------

Cooling System

BEV Cooling	15 - 274
PE Circuit,AWD,BEV	15 - 274
PE Circuit,FWD,BEV	15 - 278
Cooling Pack	15 - 281
Battery Circuit, BEV	15 - 284
ICE Cooling	15 - 287
Plumbing,CAC	15 - 287
Plumbing,Radiator	15 - 289
Plumbing,XSMN,Cooling	15 - 291
Cooling Package	15 - 293

ICE — Heating, Ventilation, Air Conditioning (HVAC)

A/C Compressor/Plumbing	16 - 296
HVAC Assembly Housing, ICE	16 - 301
A/C Condenser	16 - 304
Heater Plumbing	16 - 306
Module, HVAC, ICE	16 - 308

BEV — Heating, Ventilation, Air Conditioning (HVAC)

AC,Compressor,BEV	17 - 310
HVAC Assembly Housing, BEV	17 - 313
AC Condenser	17 - 316
HV Cab Heater Circuit	17 - 318
Module, HVAC, BEV	17 - 320

Power Generation

Alternator Assembly	18 - 322
---------------------------	----------

Power Distribution

Power Distribution,ICE	19 - 324
Power Distribution,BEV	19 - 326
High Voltage,BEV,AWD	19 - 328
High Voltage,BEV,Common	19 - 330

TABLE OF CONTENTS

EPD Cables,BEV	19 - 332
EPD Cables,NGDV	19 - 334
Charge Port,Rear,AWD,BEV	19 - 336
Charge Port,Rear,FWD,BEV	19 - 338
Wiring, Powertrain	19 - 340

Interior Lighting

Interior Lighting, BEV	20 - 344
Interior Lighting ICE	20 - 350

Exterior Lighting

Exterior Lighting, Front	21 - 356
Exterior Lighting,Rear	21 - 362

Batteries

Battery	22 - 368
HV Battery,AWD	22 - 371
HV Battery,FWD	22 - 373
Battery Pack, AWD	22 - 375
Battery Pack, FWD	22 - 377
Module, Charger	22 - 379

Perception Systems

360 View System	23 - 382
Blind Spot Information System	23 - 384
Collision Warning System	23 - 386
Pedestrian Detection	23 - 388
Sensor, Radar, Fr	23 - 390
Sensor, Radar, Corner	23 - 392
Module, Acoustic Vehicle Alerting System	23 - 394
Camera	23 - 396
Cover,Camera	23 - 398

Wiring

Wiring,Cargo Body,NGDV	24 - 400
Wiring,Chassis,NGDV,ICE,AWD	24 - 406

Wiring,Chassis,NGDV,BEV,AWD	24 - 417
Wiring,Chassis,NGDV,ICE,FWD	24 - 424
Wiring,Chassis,NGDV,BEV,FWD	24 - 433
Wiring,Cab,NGDV AWD	24 - 440
Wiring,Cab,NGDV,ICE,FWD	24 - 450
Wiring,Cab,NGDV,BEV	24 - 460
Wiring, Chassis, EFAN	24 - 466

Vehicle Controls

Chassis Elec,NGDV	25 - 468
Chassis Elec,NGDV-BEV	25 - 470
Cab Elec,NGDV	25 - 472
Cab Elec,NGDV-BEV	25 - 478
Cargo Body Elec,NGDV	25 - 484
Transfer Case Shift Control	25 - 486
Module, VCU	25 - 488
Module, Vehicle Control	25 - 490
Module Assembly, Converter	25 - 492
Module, Vehicular, Body, BEV, AWD	25 - 494
Module, Vehicular, Body, BEV, FWD	25 - 496
Module, Vehicular, Body, ICE, AWD	25 - 498
Module, Vehicular, Body, ICE, FWD	25 - 500
Module, Park	25 - 502
Module, Interface	25 - 504

Labels

Labels — ICE	26 - 506
Labels — BEV	26 - 508
Decals,Exterior,ICE	26 - 510
Decals,Exterior BEV	26 - 512
Decals, MY25, BEV, AWD	26 - 514
Decals, MY25, ICE, AWD	26 - 516
Decals, MY25, ICE, FWD	26 - 518
Decals, MY25, BEV, FWD	26 - 520

Seats and Restraints

Seat,Driver	27 - 522
Seat,Training	27 - 524
Restraint System	27 - 526

TABLE OF CONTENTS

Module, Restraints	27 - 528
Training Seat, AWD	27 - 530
Training Seat, FWD	27 - 532

Interior Stowage

Interior Stowage	28 - 534
Mail Tray	28 - 536

Vehicle Cab and Exterior

Interior Cab, Upper	29 - 540
Interior, Cab, Lower	29 - 542
Interior, Cab, Battery	29 - 545
Lower Cowl	29 - 547
Windshield	29 - 549
Body Trim	29 - 551
Trim, Charge Port, Rear	29 - 554
Dust Mitigation, ICE	29 - 556
Dust Mitigation, BEV	29 - 558
Interior, Cargo	29 - 560
Interior, Cargo, BEV	29 - 563
Cab Wiper Assy	29 - 566
Mirrors	29 - 568
Interior, Cab, BEV	29 - 570
Module, Integrated Cluster, BEV, AWD	29 - 572
Module, Integrated Cluster, BEV, FWD	29 - 574
Module, Integrated Cluster, ICE, AWD	29 - 576
Module, Integrated Cluster, ICE, FWD	29 - 578
Module, Radio	29 - 580

Cab Shell

Unibody, BEV	30 - 582
Unibody, ICE	30 - 584
Unibody, AWD	30 - 586
Unibody, FWD	30 - 590
Partition Walls	30 - 594
Bodyside, RH ASSY, FWD	30 - 600
Bodyside, LH ASSY, FWD	30 - 611
Underbody, FWD	30 - 622
Bodyside, RH ASSY, AWD	30 - 640

Bodyside,LH ASSY,AWD	30 - 651
Underbody Assy, AWD	30 - 662
Paint-Touch Up Kit	30 - 679

Doors and Hatches

Door,FR,RH	31 - 682
Door Components	31 - 686
Hatch,FR,LH	31 - 688
Hatch Component	31 - 690
Door,Sliding,RH	31 - 692
Door Components,Cargo	31 - 695
Door,Partition	31 - 697
Door Components,Partition	31 - 699
Door,Overhead	31 - 701
Hood	31 - 703
Module, Gate, BEV	31 - 705
Module, Gate, ICE	31 - 707

Exterior Shrouds and Guards

Exterior Shrouds and Guards	32 - 710
Front Fascia,ICE	32 - 712
Front Fascia,BEV	32 - 714

FORWARD

Topics Covered in this Chapter

Introduction

This parts catalog lists and illustrates the parts used on your Oshkosh vehicle, along with part numbers and required quantities.

This catalog is composed of the following items:

- Table of Contents
- Assembly Drawings
- Illustration Tables

Table of Contents

The table of contents at the front of the manual outlines a complete listing of the contents of the catalog, including references to page numbers indicating where the items can be found.

Assembly Illustrations

Illustrations in this manual are depicted as assembly drawings. This catalog contains all drawings that were available at the time of production.

Illustration Tables

The table associated with each assembly drawing consists of the following components:

- Item Number
- Part Number
- Description
- Quantity
- Primary Source

Item Number

The item number corresponds to the numbered part on the illustrated drawing to aid in identifying the part.

Item numbers may be grouped in the top right corner of the illustrated drawing and indicate smaller components that are part of an assay.

Example: 1-[2-10]

Item number 1 is the whole assay, while items 2-10 are individual components of that assay.

Part Number

The part number is the identification number for individual parts to be used when ordering replacement parts.

Description

The description column lists the specific name of the component associated with the part number and item number.

Quantity

The quantity column describes the amount of pieces that are required per part number.

Primary Source

The primary source column lists the vendor that should be contacted to supply the parts listed.



BUMPER,FRONT

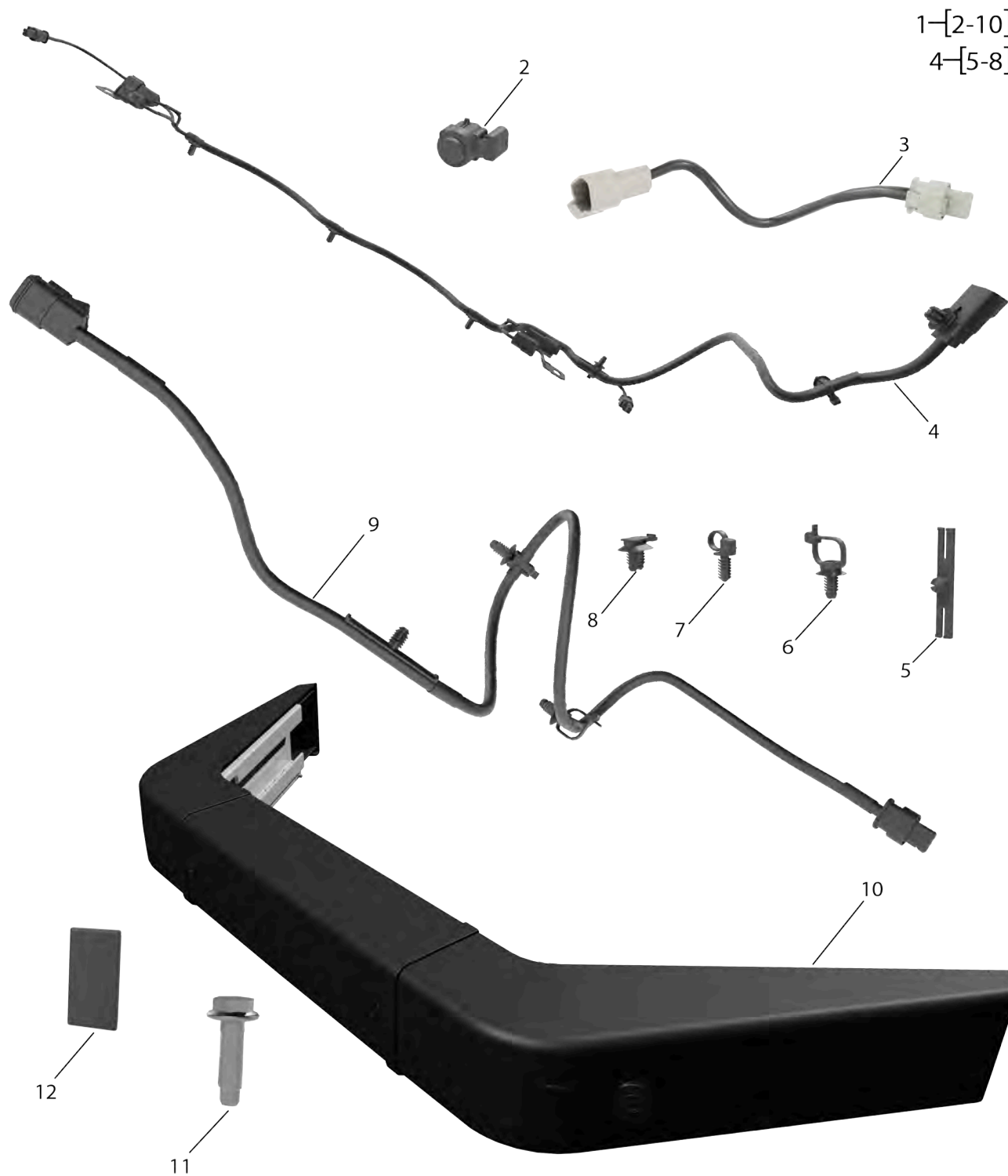


Table 1. BUMPER,FRONT

Item Number	Part Number	Description	Quantity	Primary Source
1	U1401A	BUMPER ASSY,FRONT	1	Oshkosh Defense
2	U1402A	SENSOR,ULTRASONIC	4	Oshkosh Defense
3	U1403A	WIRE HARN,CHAS, SONAR EXT	2	Oshkosh Defense
4	U1404A	WIRE HARN,CHAS,FRT BUMPER	1	Oshkosh Defense
5	U1407A	MOUNT,FIR TREE, TAPE-ON	1	Oshkosh Defense
6	U2763A	MOUNTING BASE,TIE TIEDOWN,ELECTRICAL	2	Oshkosh Defense
7	U1405A	CABLE TIE 197X4.7 FT NY	3	Oshkosh Defense
8	U1406A	PUSHPIN,BRB,CONN MTG	1	Oshkosh Defense
9	U1408A	WIRE HARN,CHAS, SONAR EXT	2	Oshkosh Defense
10	U1409A	BUMPER,FRONT	1	Oshkosh Defense
11	U1400A	BOLT,MACHINE M10X40 C10.9MG	8	Oshkosh Defense
12	U140AA	PLUG,RECT,BUMPER,FR	2	Oshkosh Defense

BUMPER, REAR



Table 2. BUMPER,REAR

Item Number	Part Number	Description	Quantity	Primary Source
1	U140BA	BUMPER ASSY,REAR	1	Oshkosh Defense
2	U1402A	SENSOR,ULTRASONIC	4	Oshkosh Defense
3	U140CA	WIRE HARN,CHAS, SONAR SENSOR,NXX	2	Oshkosh Defense
4	U1405A	CABLE TIE 197X4.7 FT NY	1	Oshkosh Defense
5	U140DA	PUSHPIN,BRB,CONN MTG	1	Oshkosh Defense
6	U1407A	MOUNT,FIR TREE, TAPE-ON	1	Oshkosh Defense
7	U140EA	BUMPER,REAR	1	Oshkosh Defense
8	U140FA	TOW PROVISION,RR, 0.75IN,WLDMT	1	Oshkosh Defense
9	U1400A	BOLT,MACHINE M10X40 C10.9MG	12	Oshkosh Defense

BUMPER,RR,MTG



Table 3. BUMPER,RR,MTG

Item Number	Part Number	Description	Quantity	Primary Source
1	U1411A	BRKT,REINF,BUMPER MTG,RH,WLDMT	1	Oshkosh Defense
2	U1410A	BRKT,REINF,BUMPER MTG,LH,WLDMT	1	Oshkosh Defense
3	U140ZA	BRKT,BUMPER MTG,RR, WLDMT	2	Oshkosh Defense
4	U140YA	TUBE,RND 19.05X12.95X103.00 ST	2	Oshkosh Defense
5	U140XA	SCR,FLG,HEX,DGP M16X150 C10 MG	4	Oshkosh Defense
6	U140WA	SCR,FLG,HEX,DGP M12X150 C10 MG	4	Oshkosh Defense
7	U140VA	SCR,FLG,HEX,DGP M12X45 C10.9MG	4	Oshkosh Defense
8	U140UA	SCR,FLG,HEX,DGP M12X30 C10.9MG	2	Oshkosh Defense
9	U1613A	NUT,SELF-LOCKING, HEXAGON,M12-1.75 C10 MB	4	Oshkosh Defense
10	U1412A	WASHER,FLAT M12X24X2.5 MB HDN	2	Oshkosh Defense
11	U1413A	SCR,SOC M12-1.75X150 C12.9 MB	2	Oshkosh Defense

CRASH SUPPORT,FRONT

1-[2-10]



Table 4. CRASH SUPPORT FRONT

Item Number	Part Number	Description	Quantity	Primary Source
1	U140JA	CRUSH-CAN,ASSY	2	Oshkosh Defense
2	U140LA	FRAME EXT 150X3.4X83.1X565	1	Oshkosh Defense
3	U140MA	FRAME,LINER,ASSY	1	Oshkosh Defense
4	U2109A	BOLT,MACHINE M10X35 C10.9 MG	3	Oshkosh Defense
5	U1600A	SCREW,CAP,HEXAGON HEAD,M10-1.5X30 C10.9 MG	3	Oshkosh Defense
6	U140KA	NUT,FLG M10-1.5 C10 MG	6	Oshkosh Defense
7	U140PA	BRKT,BUMPER MTG,FR, WELDMENT	1	Oshkosh Defense
8	U140NA	BRKT,SENSOR MTG, BUMPER,FR	1	Oshkosh Defense
9	U140QA	FRAME,LINER,RR,MACH CRUSH-CAN MTG	1	Oshkosh Defense
10	U140RA	PIN,SPR 4.76X19.05 ST	4	Oshkosh Defense
11	U140SA	BRKT,XMBR,RAD MTG, LWR,WLDMT	1	Oshkosh Defense
12	U140TA	LOAD BAR,RADIATOR SUPPORT	2	Oshkosh Defense
13	U140HA	SCR,FLG,HEX,DGP M12X120 C10 MG	8	Oshkosh Defense
14	U021HA	SCR,FLG,HEX,DGP M12-1.5X50 MG	4	Oshkosh Defense
15	U1300A	SCR,FLG,HEX,DGP M8X25 C8.8 MG	4	Oshkosh Defense
16	U421TA	SCR,FLG,HEX,DGP M6X30 C8.8 MG	2	Oshkosh Defense
17	U3507A	SENSOR,FR IMPACT	2	Oshkosh Defense
18	U140GA	NUT,FLG M12-1.75 C10 MG	8	Oshkosh Defense
19	U1501A	SCR,FLG,HEX,DGP M8X20 C8.8 MG	4	Oshkosh Defense



SUSPENSION ASSY, REAR, ICE



Table 5. SUSPENSION ASSY,REAR,ICE

Item Number	Part Number	Description	Quantity	Primary Source
1	U161TA	SUBFRAME,SPNSN,BEV, VEHICULAR	1	Oshkosh Defense
2	U161VA	SPACER,SLEEVE REAR	2	Oshkosh Defense
3	U161XA	BUSHING, DIFFERENTIAL MOUNTING,FRONT	2	Oshkosh Defense
4	U1621A	BUSHING, DIFFERENTIAL MOUNTING,REAR	1	Oshkosh Defense
5	U1626A	SUBFRAME,SPNSN,BEV, STRUCTURAL,VEHICULAR, WELDMENT	1	Oshkosh Defense
6	U161UA	SHIM REAR	2	Oshkosh Defense
7	U1625A	SCR,FLG,HEX M18-2.5X150 C10.9 MG	6	Oshkosh Defense
8	U5200A	SCR,FLG,HEX,DGP M14-2X150 C10 MG	6	Oshkosh Defense
9	U161RA	WASH,FLT M14X40X4 MG HDN	6	Oshkosh Defense
10	U1622A	SHIELD,HEAT,DIFF	1	Oshkosh Defense

SUSPENSION ASSY,REAR,BEV

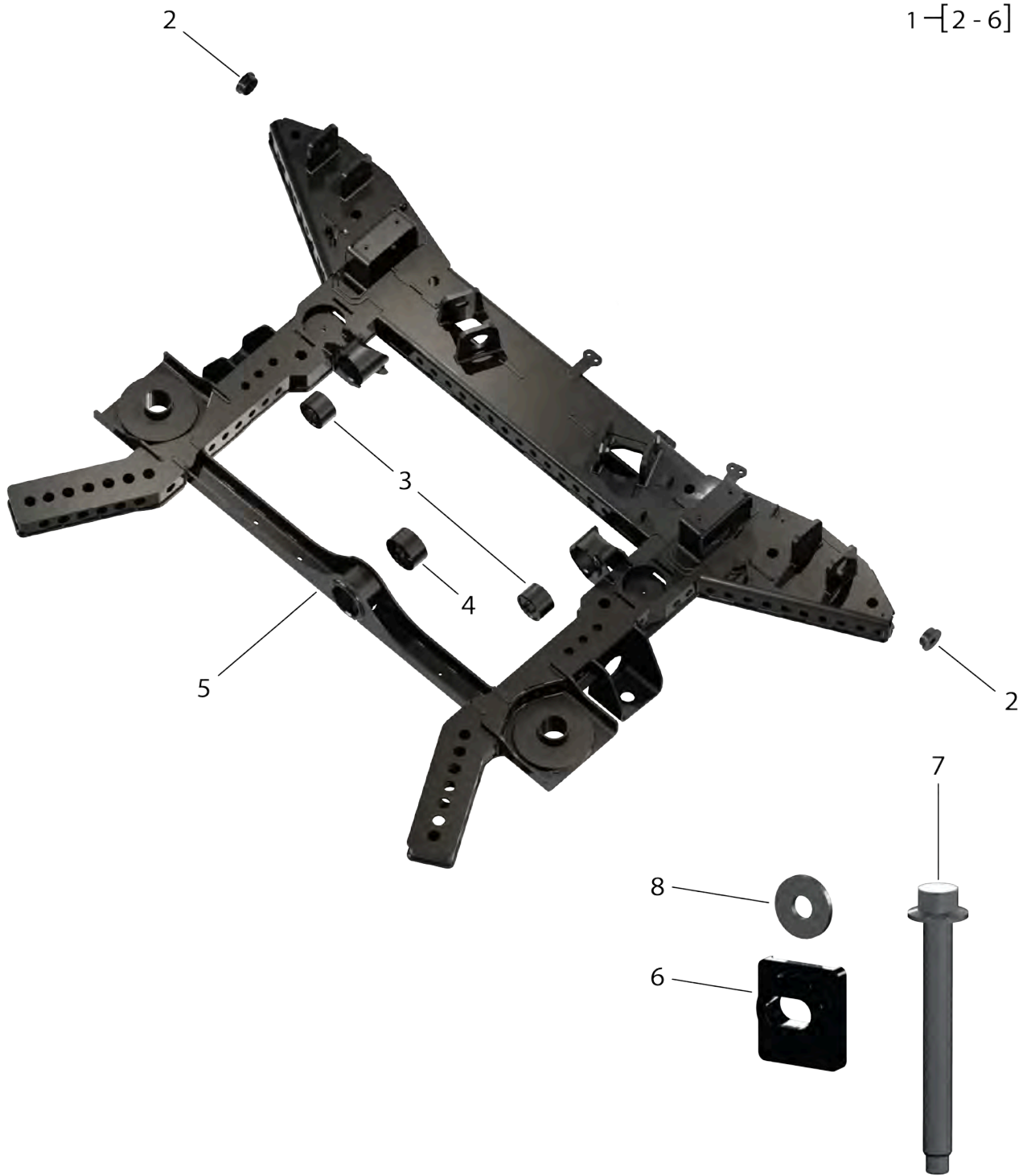


Table 6. SUSPENSION ASSY,REAR,BEV

Item Number	Part Number	Description	Quantity	Primary Source
1	U161TA	SUBFRAME,SPNSN,BEV, ASSY	1	Oshkosh Defense
2	U161VA	SPACER,SLEEVE REAR	2	Oshkosh Defense
3	U161XA	BUSHING, DIFFERENTIAL MOUNTING,FRONT	2	Oshkosh Defense
4	U161YA	BUSHING, DIFFERENTIAL MOUNTING,REAR	1	Oshkosh Defense
5	U1626A	SUBFRAME,SPNSN,BEV, WLDMT	1	Oshkosh Defense
6	U161UA	SHIM REAR	2	Oshkosh Defense
7	U1625A	SCR,FLG,HEX M16-2X150 C10.9 MG	6	Oshkosh Defense
8	U161RA	WASH,FLT M16X40X4 MB HDN	6	Oshkosh Defense

ANTI-SWAY BAR, REAR

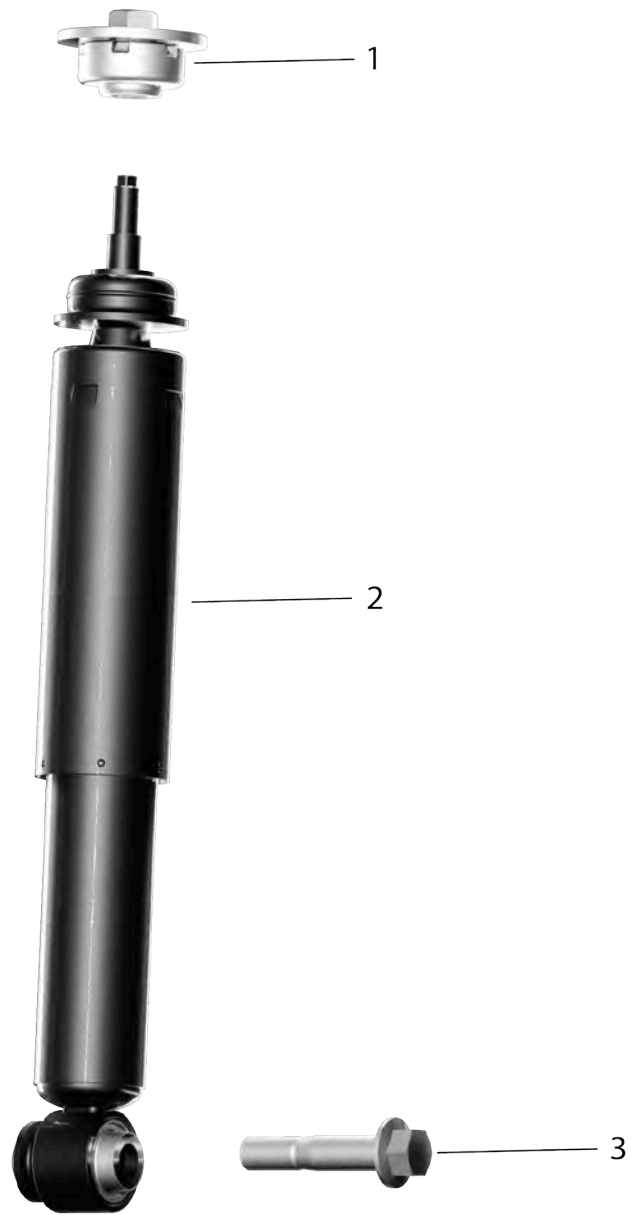


Table 7. SHOCK ABSORBER,REAR,AWD

Item Number	Part Number	Description	Quantity	Primary Source
1	U161CA	BUSHING ASSY,SHOCK, UPPER	2	Oshkosh Defense
2	U161BA	SHOCK ABSORBER, DIRECT ACTION,REAR	2	Oshkosh Defense
3	U161DA	BOLT,MACHINE M16X78 C10.9MG	2	Oshkosh Defense

CONTROL ARM, LOWER, REAR

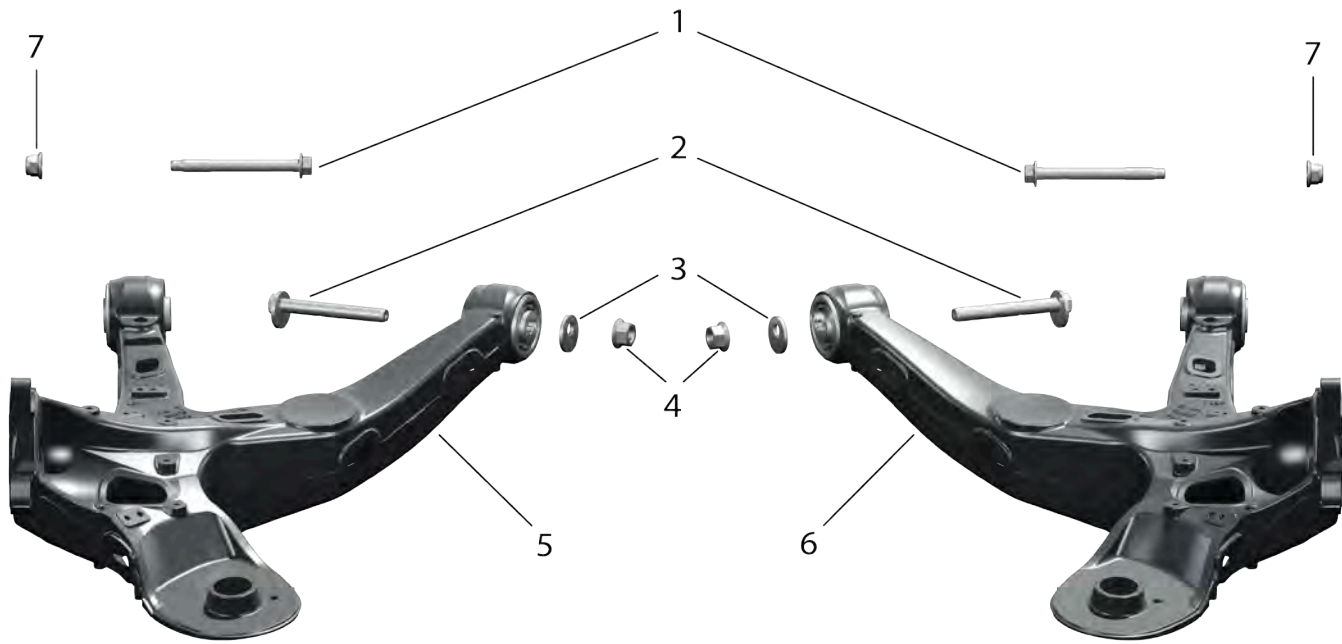


Table 8. CONTROL ARM,LOWER,REAR

Item Number	Part Number	Description	Quantity	Primary Source
1	U161LA	BOLT,MACHINE M16-2X162 MG	2	Oshkosh Defense
2	U161QA	SCREW,CAP,HEXAGON HEAD, M18-1.5X145 C10.9 MG	2	Oshkosh Defense
3	U161PA	WASHER M18X47.5X5 MG HDN	2	Oshkosh Defense
4	U161NA	NUT,SELF-LOCKING, HEXAGON,M18-1.50 C10.9 MG	2	Oshkosh Defense
5	U161KA	SWING ARM ASSY ROADSIDE	1	Oshkosh Defense
6	U161JA	SWING ARM ASSY CURBSIDE	1	Oshkosh Defense
7	U161MA	NUT,SELF-LOCKING, EXTENDED WASHER,HEXAGON, M16-2.0 MG	2	Oshkosh Defense

AXLE STOPS,REAR,AWD

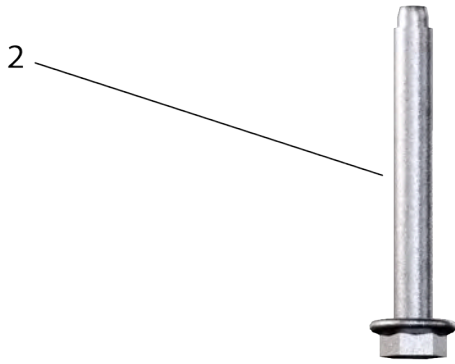
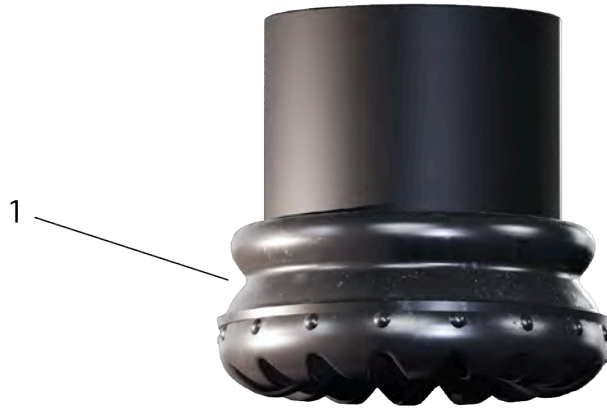


Table 9. AXLE STOPS,REAR,AWD

Item Number	Part Number	Description	Quantity	Primary Source
1	U1617A	BUMPER,ASSY REAR	2	Oshkosh Defense
2	U1616A	SCREW,CAP,HEXAGON HEAD,M10-1.5X80 C10.9MG	2	Oshkosh Defense

AXLE STOPS,REAR,FWD

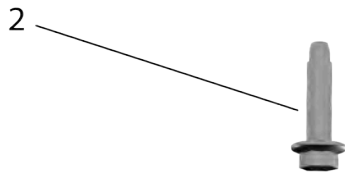


Table 10. AXLE STOPS,REAR,FWD

Item Number	Part Number	Description	Quantity	Primary Source
1	U160QA	BUMPER, JOUNCE, REAR, ASSEMBLY	2	Oshkosh Defense
2	U1400A	BOLT, MACHINE M10X40 C10.9MG	2	Oshkosh Defense

SHOCK ABSORBER, REAR, AWD

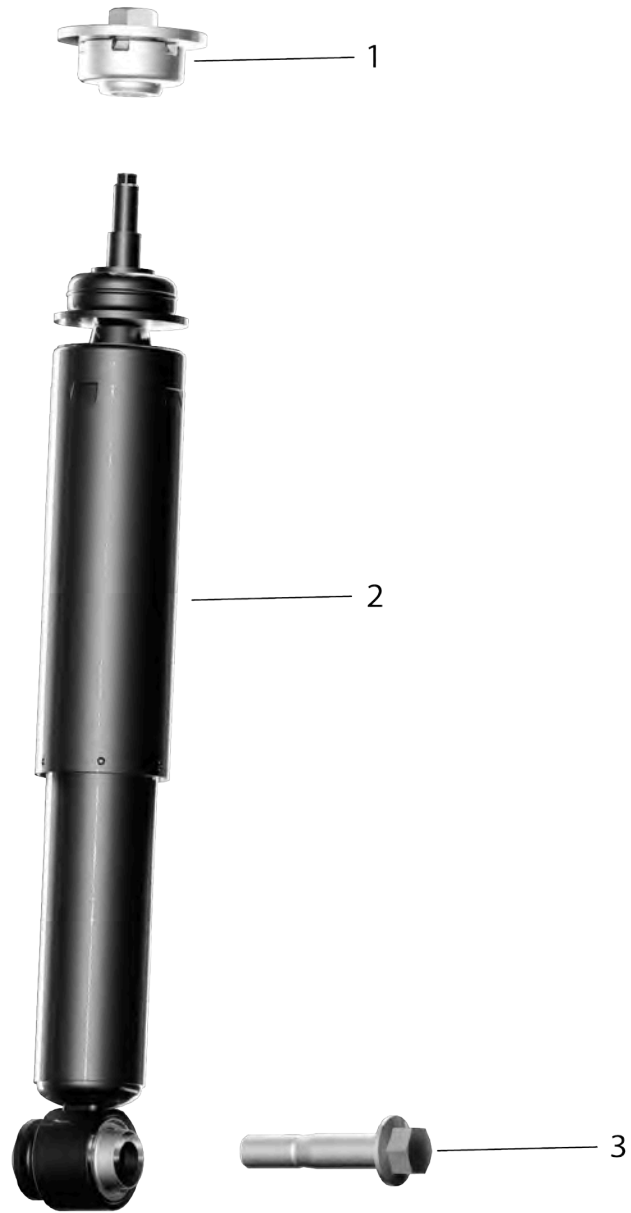


Table 11. SHOCK ABSORBER,REAR,AWD

Item Number	Part Number	Description	Quantity	Primary Source
1	U161CA	BUSHING ASSY,SHOCK, UPPER	2	Oshkosh Defense
2	U161BA	SHOCK ABSORBER, DIRECT ACTION,REAR	2	Oshkosh Defense
3	U161DA	BOLT,MACHINE M16X78 C10.9MG	2	Oshkosh Defense

<

SHOCK ABSORBER, REAR, FWD

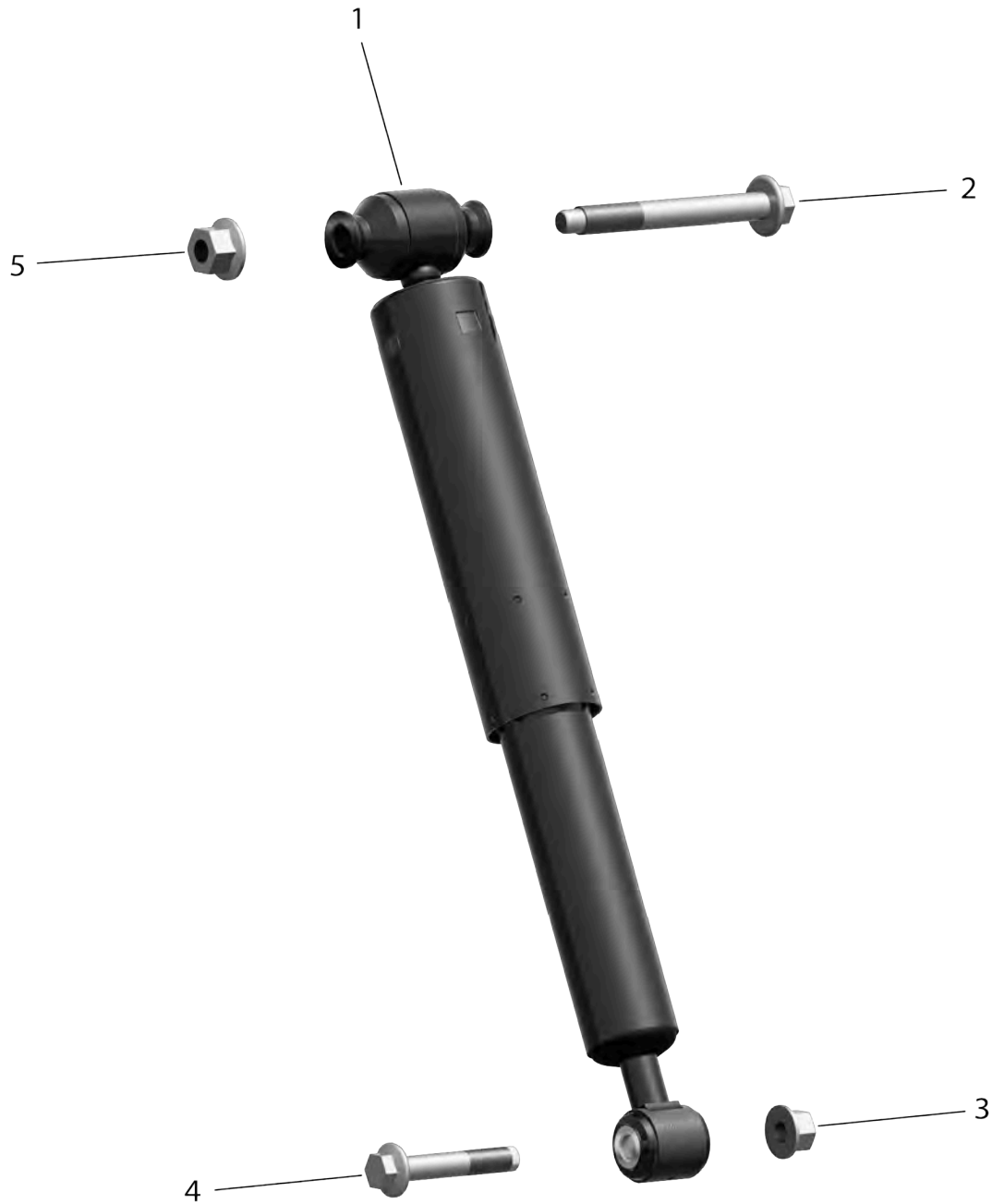


Table 12. SHOCK ABSORBER,REAR,FWD

Item Number	Part Number	Description	Quantity	Primary Source
1	U1614A	SHOCK ABSORBER, DIRECT ACTION,REAR	2	Oshkosh Defense
2	U1615A	BOLT,MACHINE M14-2X120 C10 MG	2	Oshkosh Defense
3	U1613A	NUT,SELF-LOCKING, HEXAGON,M12-1.75 C10 MB	2	Oshkosh Defense
4	U1612A	SCREW,CAP,HEXAGON HEAD,M12-1.75X70 C109MB	2	Oshkosh Defense
5	U1609A	NUT,SELF-LOCKING, EXTENDED WASHER,HEXAGON, M14-2.0 C10 MB	2	Oshkosh Defense

SPRING, LEAF, REAR

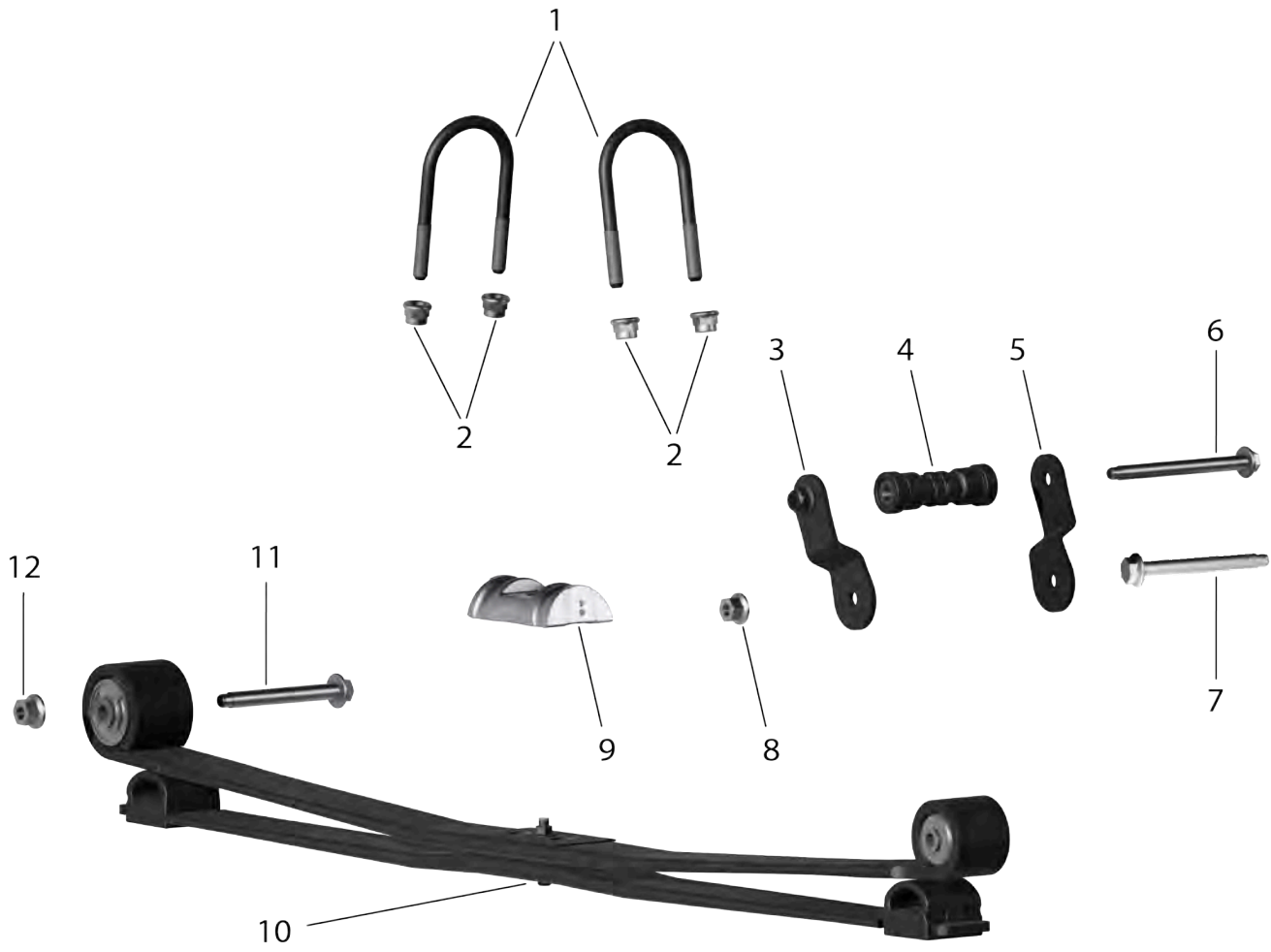


Table 13. SPRING,LEAF,REAR

Item Number	Part Number	Description	Quantity	Primary Source
1	U160ZA	U-BOLT 94.4X154.3XM14 1.5 RND	4	Oshkosh Defense
2	U1611A	NUT,SELF-LOCKING, HEXAGON,M14-1.5 C10.9	8	Oshkosh Defense
3	U160WA	SHACKLE,LEAF SPRING,INNER	2	Oshkosh Defense
4	U1610A	BUSHING,LEAF SPRING MOUNTING,REAR	4	Oshkosh Defense
5	U160VA	SHACKLE,LEAF SPRING,OUTER	2	Oshkosh Defense
6	U160TA	BOLT,MACHINE M14-2X160 C10 MG	2	Oshkosh Defense
7	U160SA	BOLT,MACHINE M16-2X140 C10 MG	2	Oshkosh Defense
8	U1609A	NUT,SELF-LOCKING, EXTENDED WASHER,HEXAGON, M14-2.0 C10 MB	2	Oshkosh Defense
9	U160XA	SADDLE,U BOLT MTG	2	Oshkosh Defense
10	U160YA	SPRING,LEAF REAR	2	Oshkosh Defense
11	U160UA	SCR,FLG,HEX M16-2X140 C10 MG	2	Oshkosh Defense
12	U160RA	NUT,SELF-LOCKING, EXTENDED WASHER,M16-2.0 C10 MB	2	Oshkosh Defense

SPRING, COIL, REAR

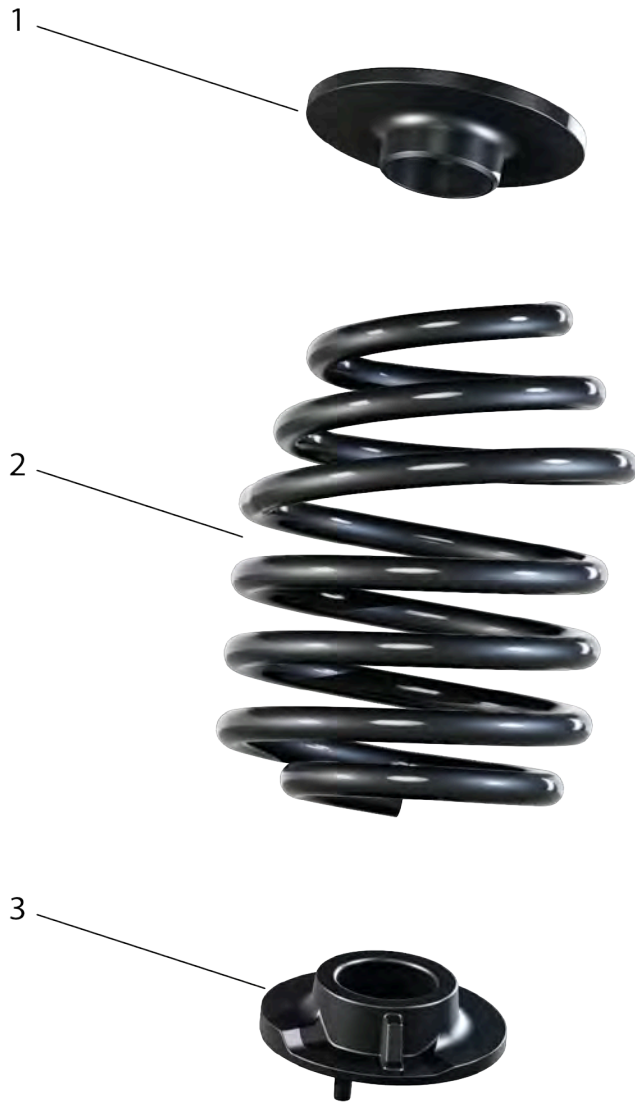


Table 14. SPRING,COIL,REAR

Item Number	Part Number	Description	Quantity	Primary Source
1	U1619A	ISOLATOR,SPRING, MOUNTING,UPPER	2	Oshkosh Defense
2	U1618A	SPR,COIL,PROG,RR REAR	2	Oshkosh Defense
3	U161AA	ISOLATOR,SPRING MOUNTING,LOWER	2	Oshkosh Defense



LOWER CONTROL ARM, ASSY, FRONT

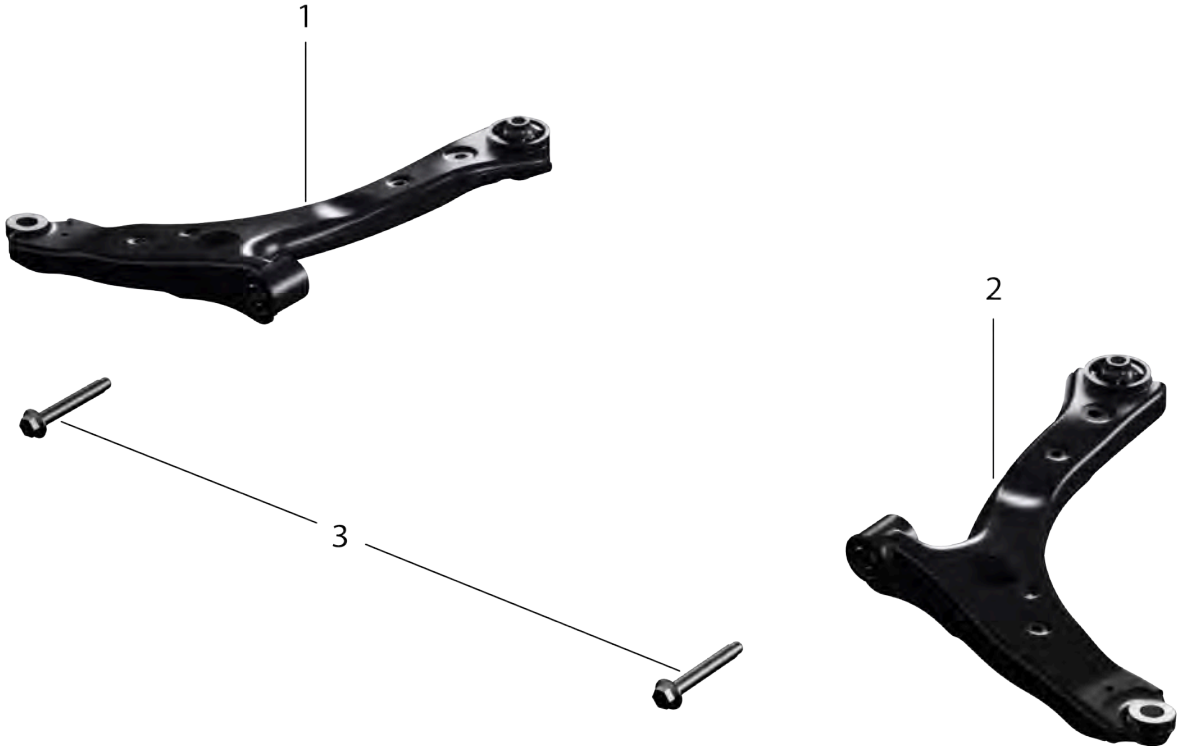


Table 15. LOWER CONTROL ARM,ASSY,FRONT

Item Number	Part Number	Description	Quantity	Primary Source
1	U160DA	LOWER CONTROL ARM ASSY	1	Oshkosh Defense
2	U160EA	LOWER CONTROL ARM ASSY	1	Oshkosh Defense
3	U160CA	SCREW,CAP,HEXAGON HEAD,M16-2.0X110 C10.9 MG	2	Oshkosh Defense

ANTI-SWAY BAR, FRONT

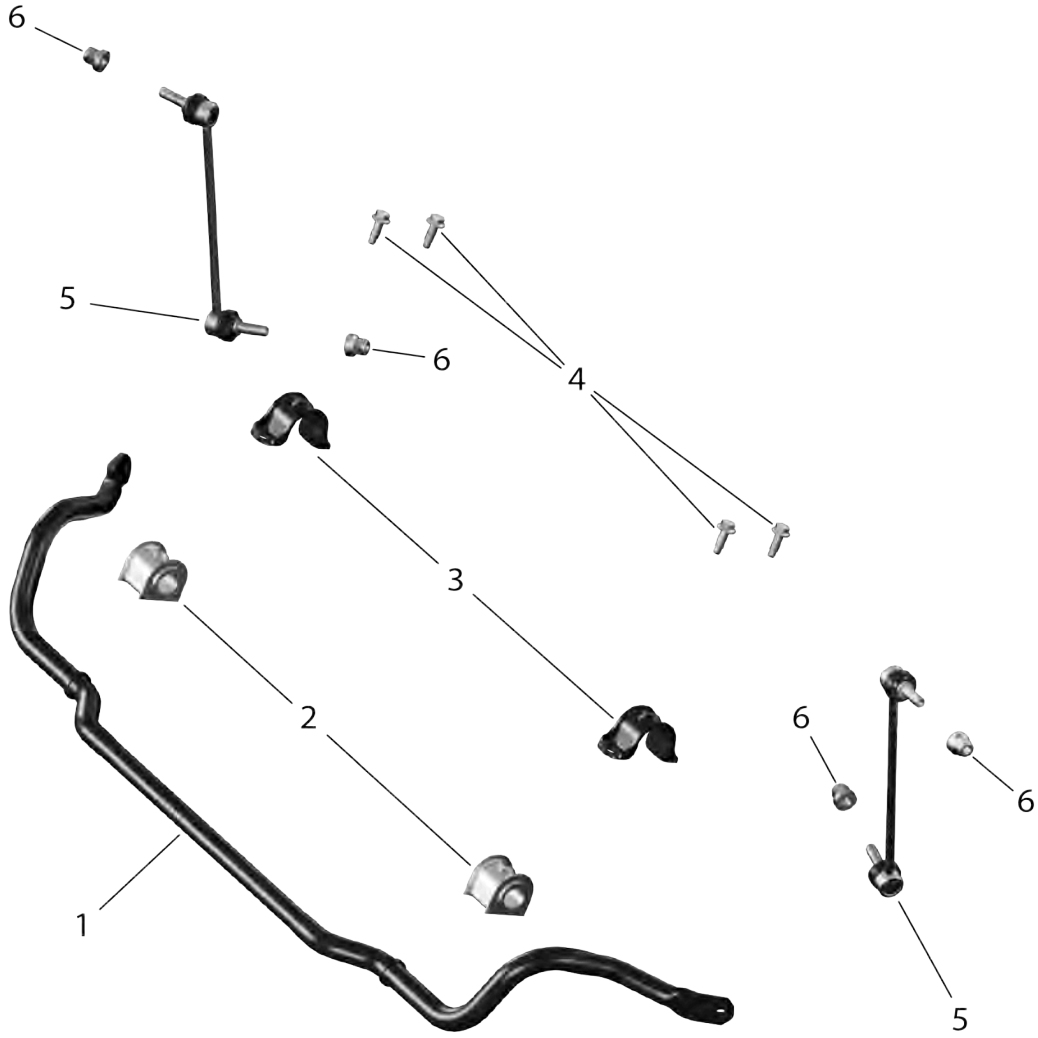


Table 16. ANTI-SWAY BAR,FRONT

Item Number	Part Number	Description	Quantity	Primary Source
1	U1603A	BAR,ANTI-SWAY 27.0X1261	1	Oshkosh Defense
2	U1604A	BUSHING,STABILIZER	2	Oshkosh Defense
3	U1602A	RETAINER,BUSHING, CLAMP	2	Oshkosh Defense
4	U1600A	SCREW,CAP,HEXAGON HEAD,M10-1.5X30 C10.9 MG	4	Oshkosh Defense
5	U1601A	DRAG LINK,STEERING 8.3X290	2	Oshkosh Defense
6	U1605A	NUT,SELF-LOCKING, HEXAGON,M12-1.25	4	Oshkosh Defense

SUBFRAME,SUSPENSION,FRONT



Table 17. SUBFRAME,SUSPENSION,FRONT

Item Number	Part Number	Description	Quantity	Primary Source
1	U1608A	SUBFRAME,SPNSN,FR STRUCTURAL,VEHICULAR,FRONT	1	Oshkosh Defense
2	U1607A	SCR,FLG,HEX, M16-2X300C10.9 MB	2	Oshkosh Defense
3	U1606A	SCR,FLG,HEX M14-2X220C10.9 MB	2	Oshkosh Defense
4	U160AA	LOCK FLANGE,M14	2	Oshkosh Defense
5	U1609A	NUT,SELF-LOCKING, EXTENDED WASHER,HEXAGON, M14-2.0 C10 MB	2	Oshkosh Defense
6	U160BA	RIVET,BLIND .257X.38 SS	2	Oshkosh Defense

SPRING,STRUT,FRONT

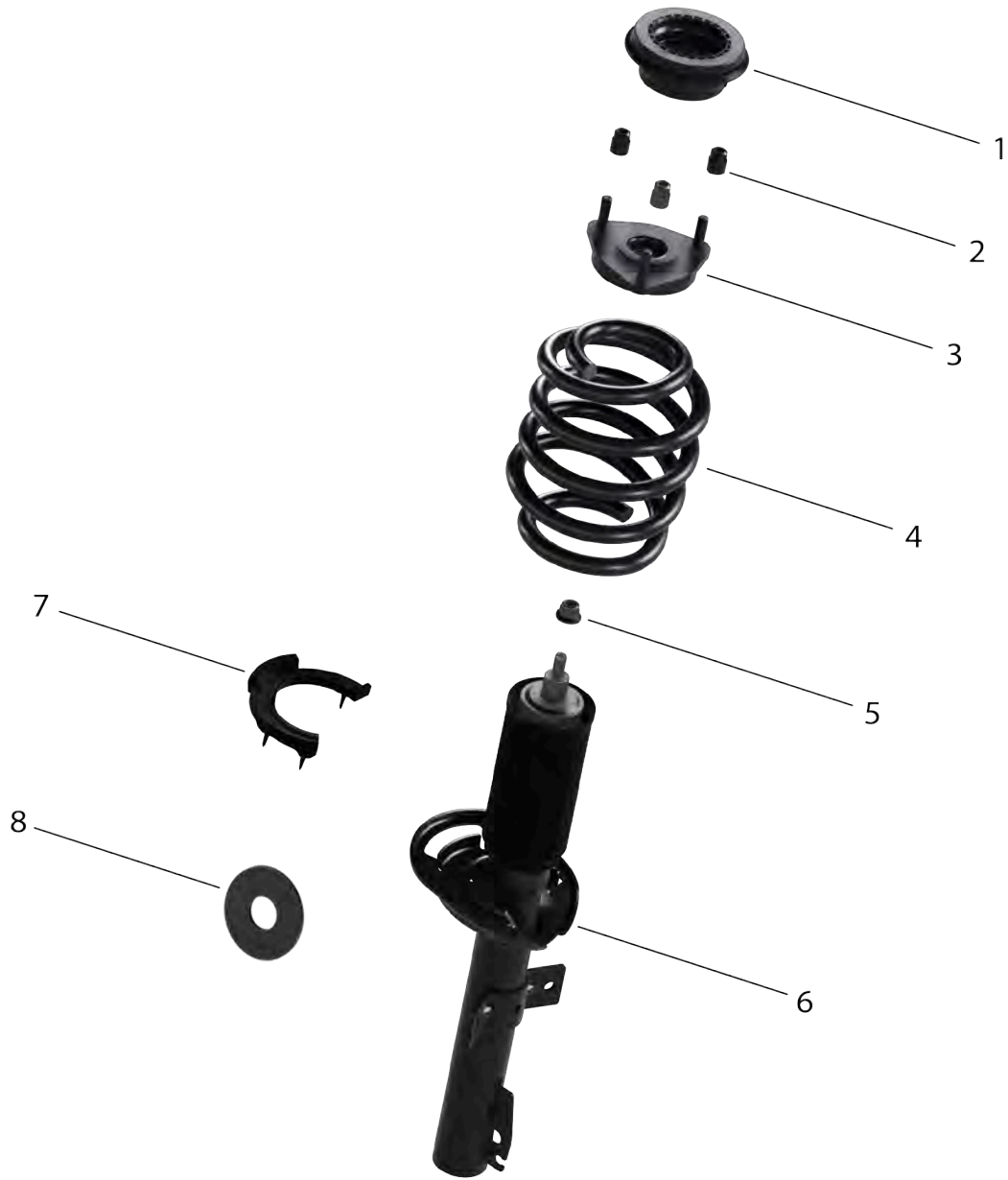


Table 18. SPRING,STRUT,FRONT

Item Number	Part Number	Description	Quantity	Primary Source
1	U160FA	CAP,BRG,SHABS,UPR	2	Oshkosh Defense
2	U160MA	NUT,PLAIN,HEXAGON M10-1.5 C10.9 MG	6	Oshkosh Defense
3	U160JA	CAP,SHOCK,FRONT, UPPER,ASSY	2	Oshkosh Defense
4	U160HA	SPRING,COIL,FRONT	2	Oshkosh Defense
5	U160LA	NUT,SELF-LOCKING, ASSEMBLED WASHER,M12-1.25	2	Oshkosh Defense
6	U160KA	SHOCK ABSORBER, UPPER FRONT,ASSY	2	Oshkosh Defense
7	U160GA	SEAT,SPRING,LOWER	2	Oshkosh Defense
8	U160NA	WASH,FLT M10X22.5X2.0 MG HDN	6	Oshkosh Defense



HALF SHAFT, CV, FRONT, FWD, ICE

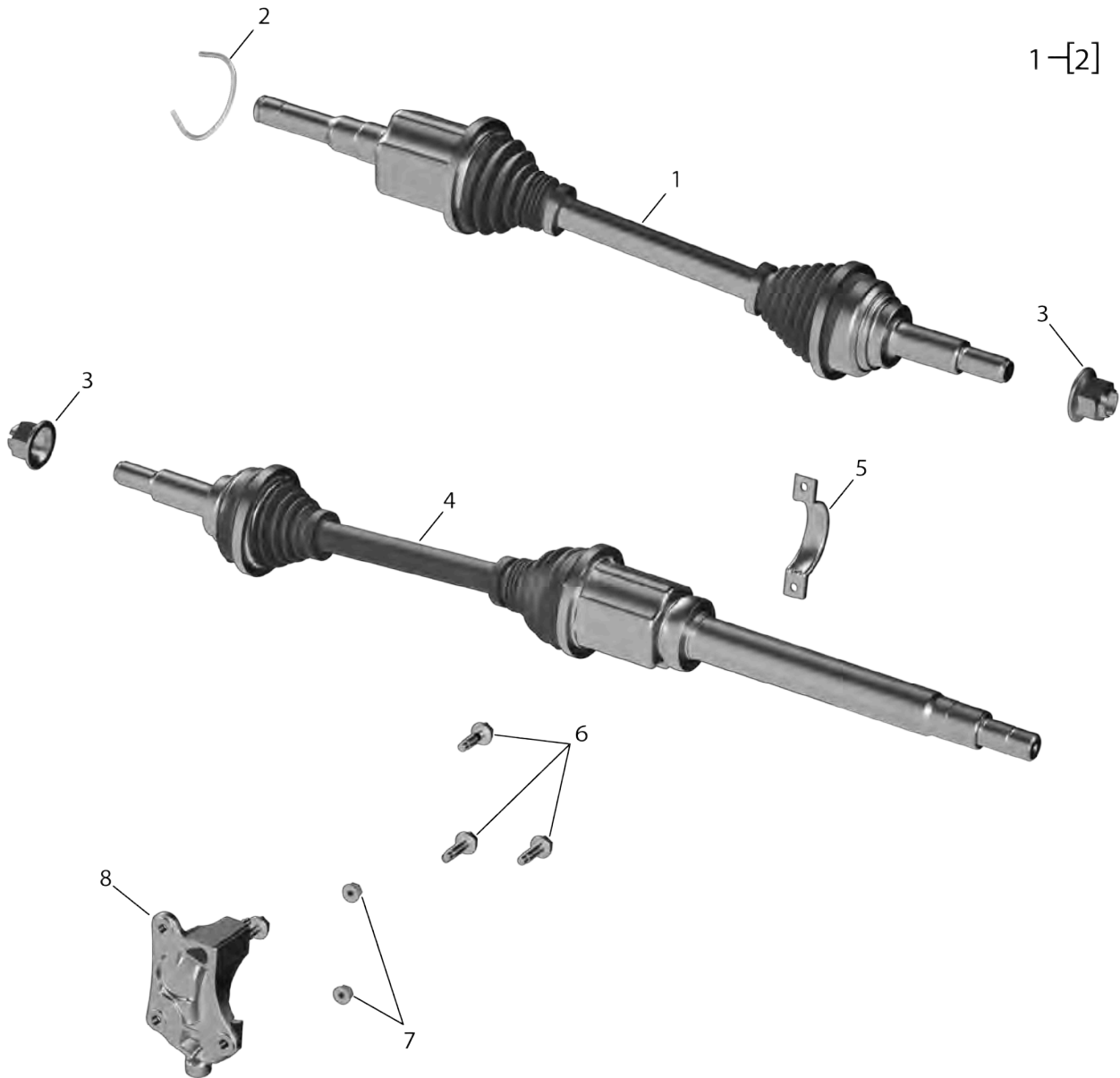


Table 19. HALFSHAFT,CV,FRONT,FWD,ICE

Item Number	Part Number	Description	Quantity	Primary Source
1	U2105A	HALFSHAFT,EX35, EX31,822X68.5,ROADSIDE	1	Oshkosh Defense
2	U2106A	RING,EXT 0.8X0.06, RNDWR	1	Oshkosh Defense
3	U2103A	NUT,HEX,LKSL M24-2 C8 SPL	2	Oshkosh Defense
4	U210AA	HALFSHAFT EX35, EX31,1079X68.5,CURBSIDE	1	Oshkosh Defense
5	U210BA	STRAP,BRG SUPPORT	1	Oshkosh Defense
6	U2109A	BOLT,MACHINE M10X35 C10.9 MG	3	Oshkosh Defense
7	U1500A	NUT,SELF-LOCKING, EXTENDED WASHER,HEXAGON M8-1.25 C10 MB	2	Oshkosh Defense
8	U210CA	HOUSING,HALFSHAFT MTG	1	Oshkosh Defense

HALF SHAFT, CV, FRONT, AWD, ICE



Table 20. HALFSHAFT,CV,FRONT,AWD,ICE

Item Number	Part Number	Description	Quantity	Primary Source
1	U2104A	SCR,FLG,HEX M8-1.25X25 C10.9MG	2	Oshkosh Defense
2	U2108A	SHAFT,INTMD,AWD,FR	1	Oshkosh Defense
3	U2103A	NUT,HEX,LKSL M24-2 C8 SPL	2	Oshkosh Defense
4	U2107A	HALFSHAFT,IN27, EX31,696.86,68.5,CURBSIDE	1	Oshkosh Defense
5	U2105A	HALFSHAFT,EX35, EX31,822X68.5,ROADSIDE	1	Oshkosh Defense
6	U2106A	RING,EXT 0.8X0.06, RNDWR	1	Oshkosh Defense

HALF SHAFT, CV, FRONT, BEV

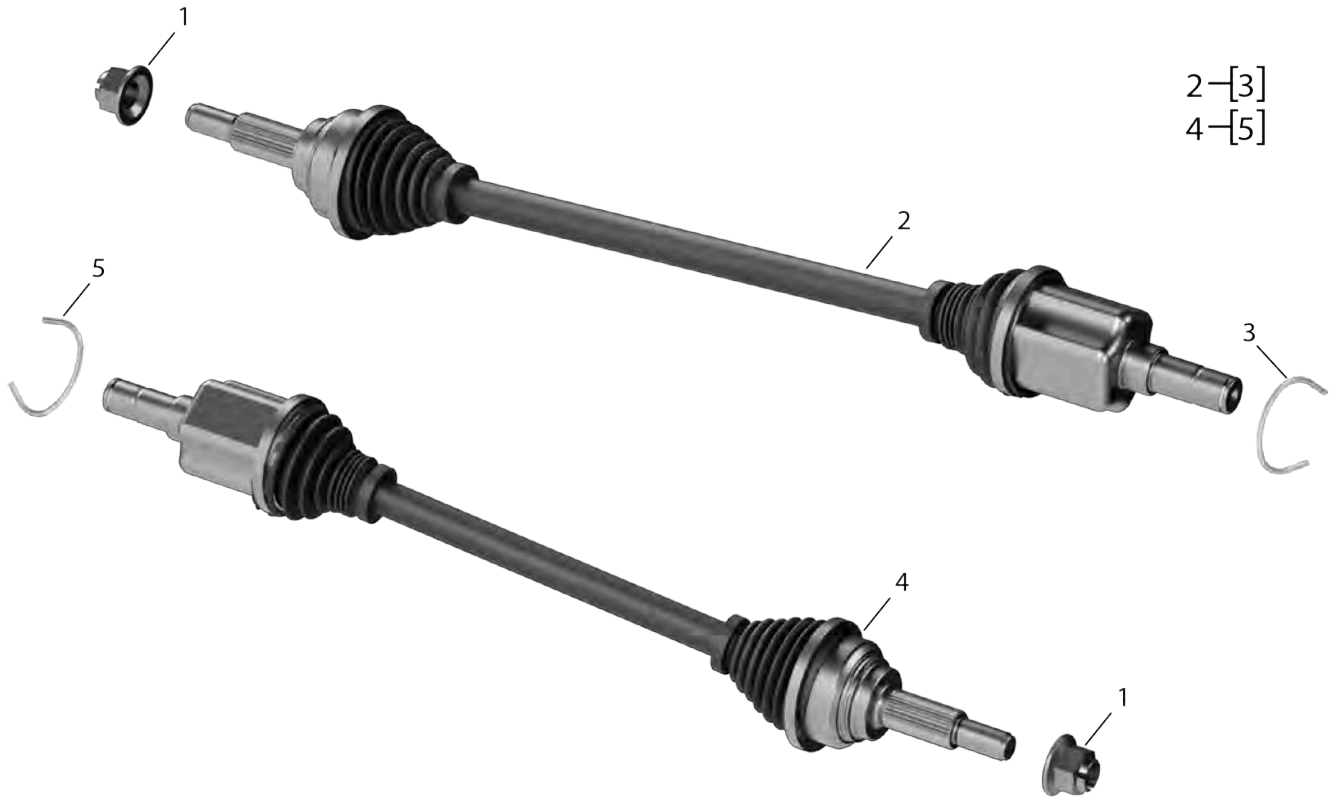


Table 21. HALFSHAFT,CV,FRONT,BEV

Item Number	Part Number	Description	Quantity	Primary Source
1	U2103A	NUT,HEX,LKSL M24-2 C8 SPL	2	Oshkosh Defense
2	U2102A	HALFSHAFT, 982.1X64.5,CV,CURBSIDE	1	Oshkosh Defense
3	U2101A	RING,EXT 0.9X0.07, RNDWR	1	Oshkosh Defense
4	U2100A	HALFSHAFT, 852.7X64.5,CV,ROADSIDE	1	Oshkosh Defense
5	U2101A	RING,EXT 0.9X0.07, RNDWR	1	Oshkosh Defense

HALF SHAFT, HD, RR, AWD, ICE

2-[3]
4-[5]

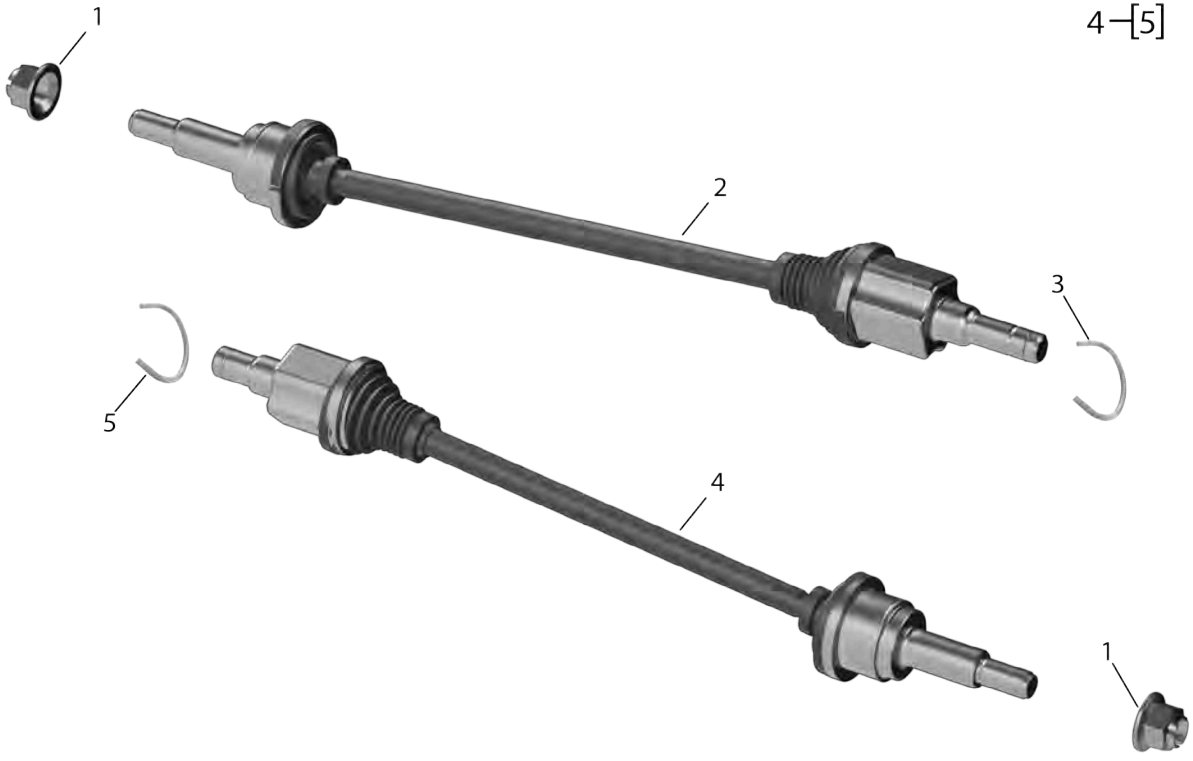
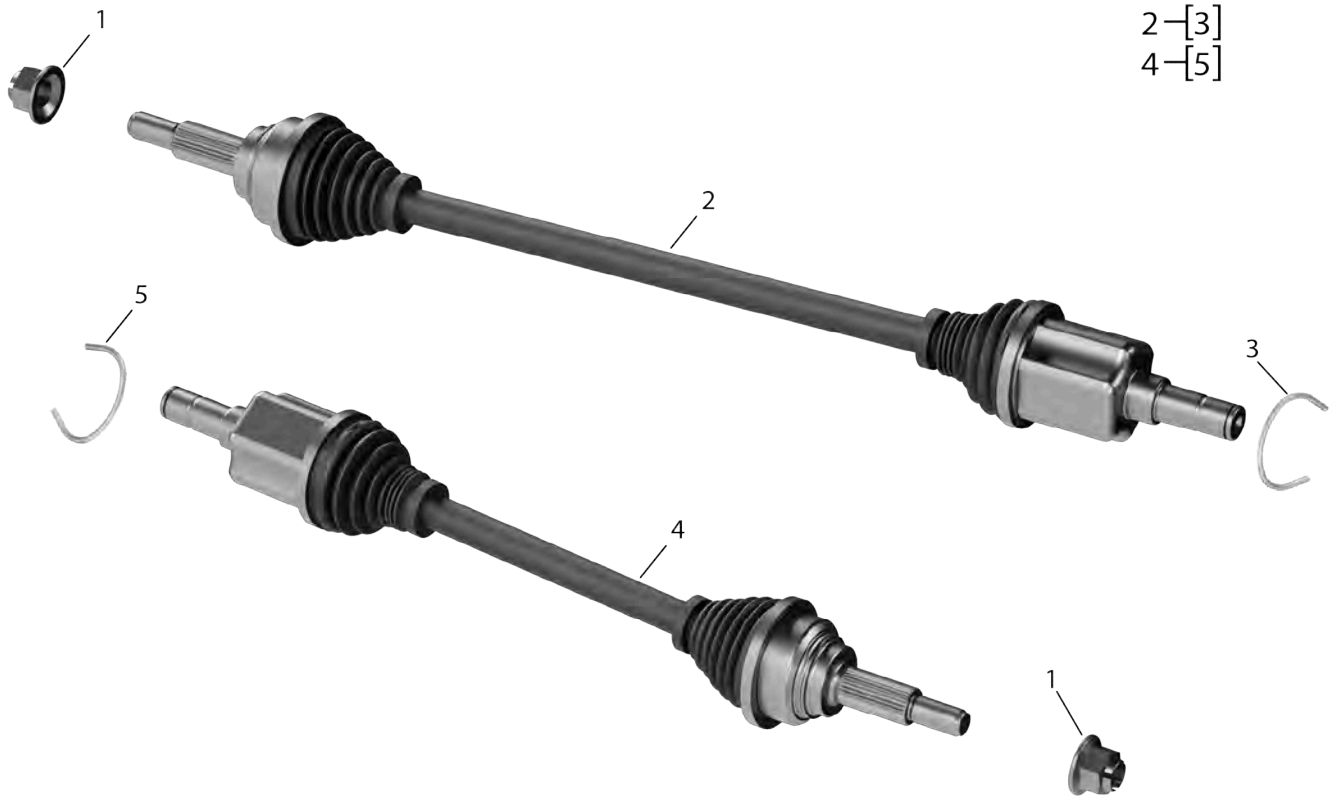


Table 22. HALFSHAFT,HD,REAR,AWD,ICE

Item Number	Part Number	Description	Quantity	Primary Source
1	U2103A	NUT,HEX,LKSL M24-2 C8 SPL	2	Oshkosh Defense
2	U2202A	HALFSHAFT,EX23, EX31,904.5X50.5,CURBSIDE	1	Oshkosh Defense
3	U2201A	RING,EXT 18.9X1.6 SGL,LWCLR	1	Oshkosh Defense
4	U2200A	HALFSHAFT,EX25, EX31,832.9X50.5,ROADSIDE	1	Oshkosh Defense
5	U2201A	RING,EXT 18.9X1.6 SGL,LWCLR	1	Oshkosh Defense

HALF SHAFT, HD, REAR, AWD, BEV



2-[3]
4-[5]

Table 23. HALFSHAFT,HD,REAR,AWD,BEV

Item Number	Part Number	Description	Quantity	Primary Source
1	U2103A	NUT,HEX,LKSL M24-2 C8 SPL	2	Oshkosh Defense
2	U2204A	HALFSHAFT, 1005.4X64.5,CV,CURBSIDE	1	Oshkosh Defense
3	U2101A	RING,EXT 0.9X0.07, RNDWR	1	Oshkosh Defense
4	U2203A	HALFSHAFT, 785.8X64.5,CV,ROADSIDE	1	Oshkosh Defense
5	U2101A	RING,EXT 0.9X0.07, RNDWR	1	Oshkosh Defense

WHEEL DRIVES, FRONT, ICE, BEV

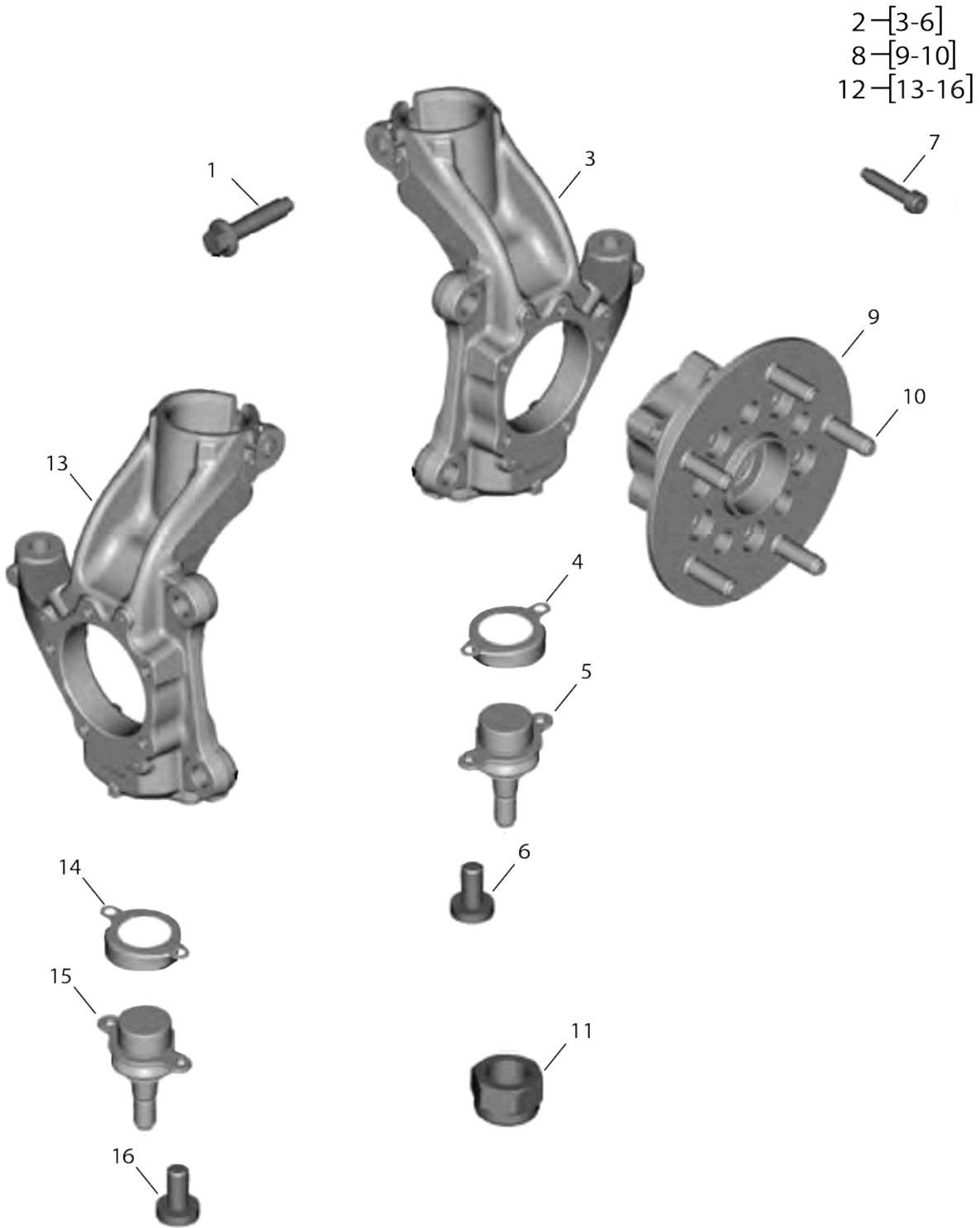


Table 24. WHEEL DRIVES,FRONT,ICE,BEV

Item Number	Part Number	Description	Quantity	Primary Source
1	U150FA	SCR,FLG,HEX,DGP M14-2X70 C10MG	2	Oshkosh Defense
2	U150KA	KNUCKLE,FR RH,ASSY	1	Oshkosh Defense
3	KK3Z-3K185-C001	KNUCKLE,FR RH NOT PROCURABLE, MUST PURCHASE KK3Z-3K185-C	1	Oshkosh Defense
4	KK3Z-3050-B001	COVER,FR SUSP LWR BALL JOINT,NOT PROCURABLE, MUST PURCHASE KK3Z-3050-B	1	Oshkosh Defense
5	KK3Z-3050-B002	BALL JOINT NOT PROCURABLE, MUST PURCHASE KK3Z-3050-B	1	Oshkosh Defense
6	U150LA	BOLT,M10X20 PN TI ADH 10	2	Oshkosh Defense
7	U150GA	SCR,SOC,TRX,DGP M10-1.5X45 C10	10	Oshkosh Defense
8	U150HA	HUB,WHL BRG,FR,ASSY ASSY	2	Oshkosh Defense
9	KK2Z-1104-BFC001	HUB,WHL BRG,FR NOT PROCURABLE, MUST PURCHASE KK2Z-1104-BFC	1	Oshkosh Defense
10	U150JA	BOLT M14X60	5	Oshkosh Defense
11	U150NA	NUT,HEX,LKNY M20-1.5	2	Oshkosh Defense
12	U150MA	KNUCKLE,FR LH,ASSY	1	Oshkosh Defense
13	KK3Z-3K186-C001	KNUCKLE,FR LH NOT PROCURABLE, MUST PURCHASE KK3Z-3K186-C	1	Oshkosh Defense
14	KK3Z-3050-B001	COVER,FR SUSP LWR BALL JOINT,NOT PROCURABLE, MUST PURCHASE KK3Z-3050-B	1	Oshkosh Defense
15	KK3Z-3050-B002	BALL JOINT NOT PROCURABLE, MUST PURCHASE KK3Z-3050-B	1	Oshkosh Defense
16	U150LA	BOLT,M10X20 PN TI ADH 10	2	Oshkosh Defense

WHEEL DRIVES, REAR, AWD, ICE, BEV

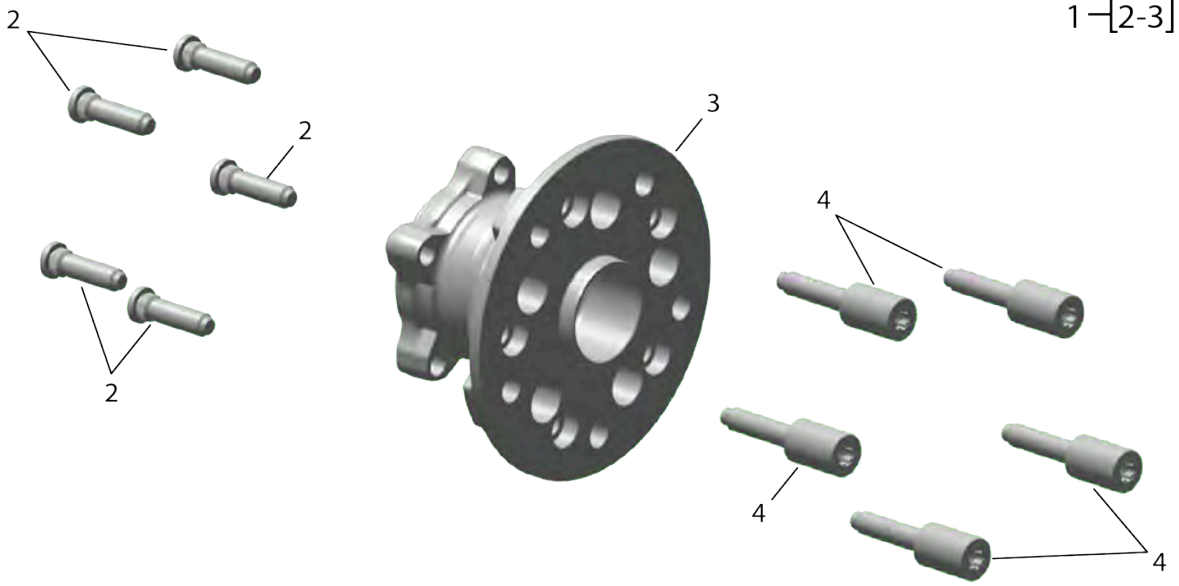


Table 25. WHEEL DRIVES,REAR,AWD,ICE,BEV

Item Number	Part Number	Description	Quantity	Primary Source
1	U2205A	WHEEL DRIVE,6K	2	Oshkosh Defense
2	U150JA	BOLT M14X60	5	Oshkosh Defense
3	U2209A	WHEEL DRIVE,6K NOT PROCURABLE, MUST PURCHASE NK4Z-1109-A	1	Oshkosh Defense
4	U2206A	SCR,SPL,TRX,NY M12-1.5X48C10MG	10	Oshkosh Defense

DIFF,RR,ASSY,AWD,ICE



Table 26. DIFF,RR,ASSY,AWD,ICE

Item Number	Part Number	Description	Quantity	Primary Source
1	U275SA	DIFF,RR,ASSY REAR	1	Oshkosh Defense
2	U275WA	SEAL,HALFSHAFT,RR	2	Oshkosh Defense
3	U275YA	SENSOR,SPEED,RDU	1	Oshkosh Defense
4	U275ZA	BOLT M6X1	3	Oshkosh Defense
5	U275XA	PLUG,RDU .50-14	2	Oshkosh Defense
6	K2GZ-4000-AG001	DIFF,RR,ASSY NOT PROCURABLE, MUST PURCHASE K2GZ-4000-AG	1	Oshkosh Defense
7	U275TA	MOTOR,ACTUATOR,RDU	1	Oshkosh Defense
8	U275VA	SEAL,DRIVE PINION	1	Oshkosh Defense
9	K2GZ-4000-AG002	FLG,DRIVE PINION NOT PROCURABLE, MUST PURCHASE K2GZ-4000-AG	1	Oshkosh Defense
10	U275UA	NUT,LK,DRIVE PINION	1	Oshkosh Defense
11	U275RA	CLAMP,HOSE-SPR 15.3-13.5 MB	2	Oshkosh Defense
12	U2760A	SHIELD,DIFF,REAR	1	Oshkosh Defense
13	U2761A	HOSE ASSY,DIFF BREATHER,RR	1	Oshkosh Defense
14	U2762A	HOSE,BREATHER 0.28-0.28 ST,RB	1	Oshkosh Defense
15	U2763A	MOUNTING BASE,TIE TIEDOWN,ELECTRICAL	2	Oshkosh Defense
16	U2764A	FTG,ST 5BARB-VENT M PL	1	Oshkosh Defense
17	U275RA	CLAMP,HOSE-SPR 15.3-13.5 MB	1	Oshkosh Defense
18	U2765A	SCR,WASH,TRX M12-1.75X82 C10	3	Oshkosh Defense

AXLE ASSY,BEAM,RR,FWD,ICE,BEV

4-[5-6]

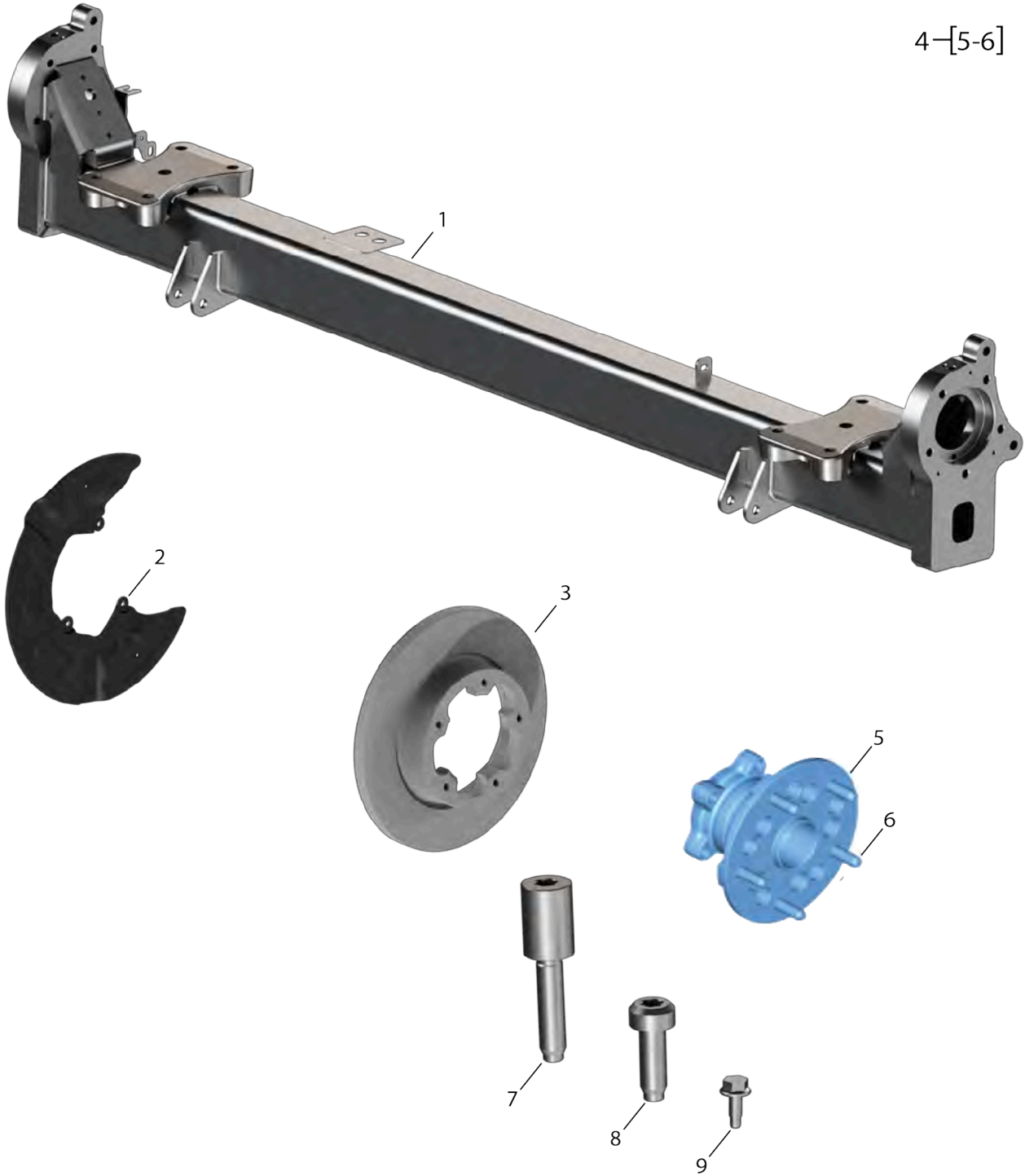


Table 27. AXLE ASSY,BEAM,RR,FWD,ICE,BEV

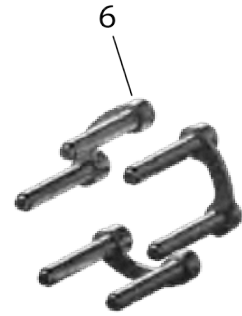
Item Number	Part Number	Description	Quantity	Primary Source
1	U2207A	AXLE,BM,FX,5K,MACH	1	Oshkosh Defense
2	U130ZA	SHIELD,DUST,BRAKE, RR	2	Oshkosh Defense
3	U130YA	ROTOR,BRAKE 308X18, RR	2	Oshkosh Defense
4	U2205A	WHEEL DRIVE,6K	2	Oshkosh Defense
5	U2209A	WHEEL DRIVE,6K	1	Oshkosh Defense
6	U150JA	BOLT M14X60	5	Oshkosh Defense
7	U2206A	SCR,SPL,TRX,NY M12-1.5X48C10MG	10	Oshkosh Defense
8	U1310A	SCR,SPL,TRX,NY M12-1.5X36C10MG	10	Oshkosh Defense
9	U130PA	SCR,FLG,HEX,DGP M6X16 C8.8 MG	6	Oshkosh Defense

1-[2-11]



PROPSHAFTS

1-[2-11]

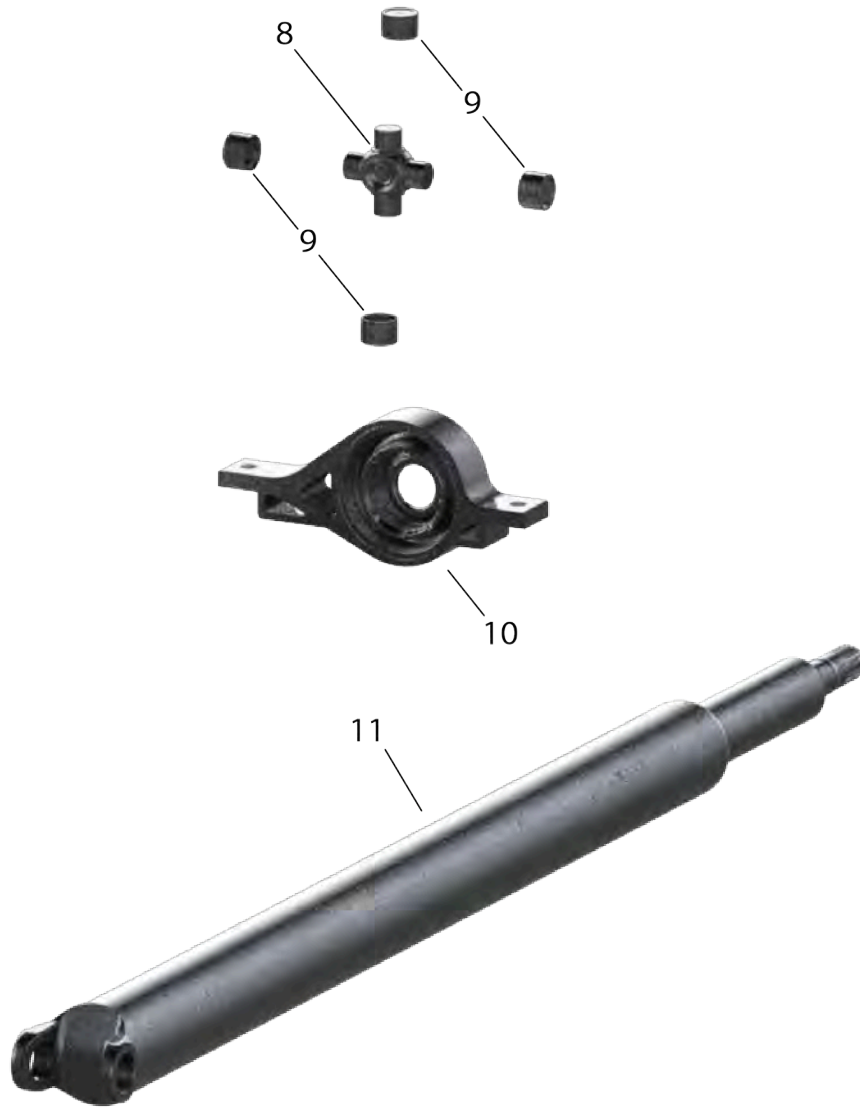


1-[2-11]



PROPSHAFTS

1-[2-11]



1-[2-11]

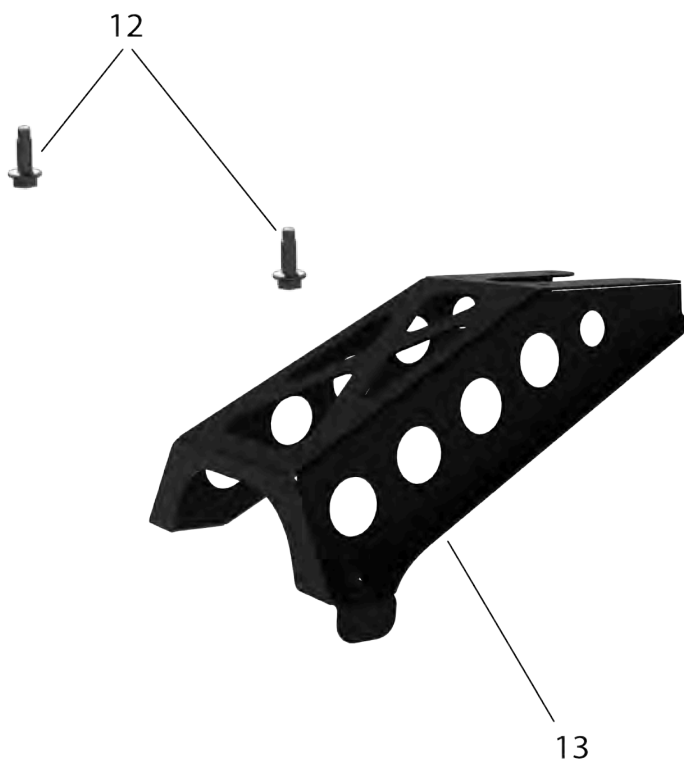


Table 28. PROPSHAFTS

Item Number	Part Number	Description	Quantity	Primary Source
1	U2400A	SHAFT ASSEMBLY, STRAIGHT	1	Oshkosh Defense
2	U2403A	END COVER,VTD,CVJ, IN, 85.78X66	2	Oshkosh Defense
3	U2404A	CVJ,IN, 85.78X66	2	Oshkosh Defense
4	U2405A	GASKET,CVJ,IN, 85.78X66	2	Oshkosh Defense
5	U2406A	BOOT ASSY,CVJ,IN, 85.78X66	2	Oshkosh Defense
6	U2402A	SCR ASSY,CVJ, CSHAFT	6	Oshkosh Defense
7	U2407A	CSHAFT,CV,FR,EX 1667.2 ASSY	1	Oshkosh Defense
8	U2409A	UNIVERSAL JOINT, CSHAFT	1	Oshkosh Defense
9	U240AA	BRG,NRLR,CUP, UNIVERSAL JOINT	4	Oshkosh Defense
10	U2408A	BRKT,BRG,RLR 30X99.4X34.5 ASY	1	Oshkosh Defense
11	U2401A	PSHAFT,CV,EX,FR 1049.5X1.5 ASY	1	Oshkosh Defense
12	U1600A	SCREW,CAP,HEXAGON HEAD,M10-1.5X30 C10.9 MG	6	Oshkosh Defense
13	U240CA	BRKT,DRIVESHAFT SPRT,WLDMT	1	Oshkosh Defense



STEERING GEAR,ICE



Table 29. STEERING GEAR,ICE

Item Number	Part Number	Description	Quantity	Primary Source
1	U1507A	BOLT,MACHINE M14-2X90 C10MG	3	Oshkosh Defense
2	U1508A	NUT,PLAIN,HEXAGON M14-2.0	2	Oshkosh Defense
3	U1509A	SHIELD,HEAT,STRG GEAR	1	Oshkosh Defense
4	U5200A	SCR,FLG,HEX,DGP M6X20 C8.8 MG	3	Oshkosh Defense

STEERING GEAR, BEV

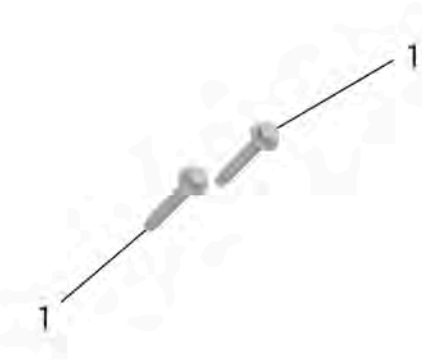


Table 30. STEERING GEAR,BEV

Item Number	Part Number	Description	Quantity	Primary Source
1	U1507A	BOLT,MACHINE M14-2X90 C10MG	3	Oshkosh Defense
2	U1508A	NUT,PLAIN,HEXAGON M14-2.0	2	Oshkosh Defense

STEERING COLUMN

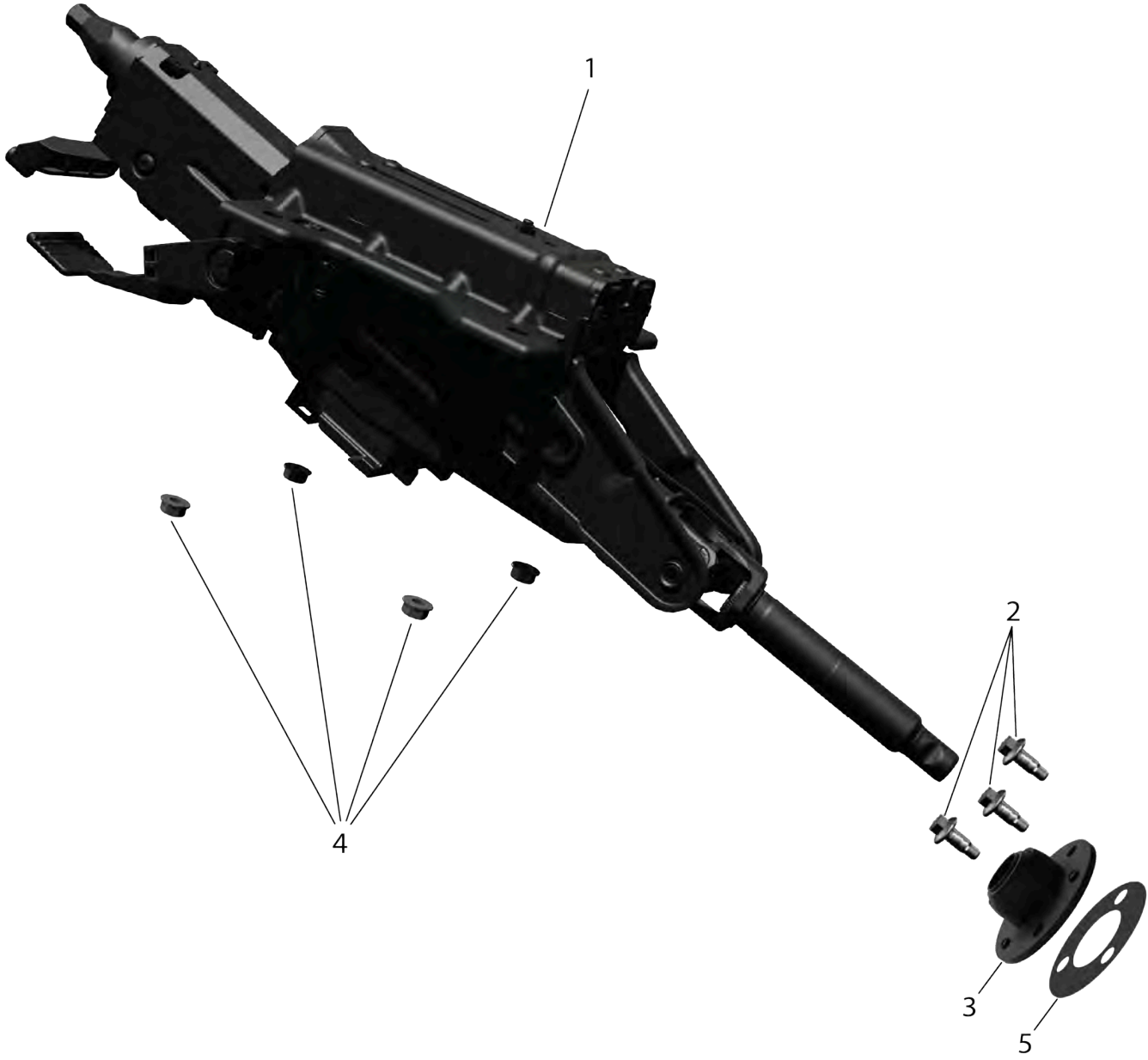


Table 31. STEERING COLUMN

Item Number	Part Number	Description	Quantity	Primary Source
1	U1502A	COLUMN,STRG,ASSY, RHD	1	Oshkosh Defense
2	U1501A	SCR,FLG,HEX,DGP M8X20 C8.8 MG	3	Oshkosh Defense
3	U1503A	BRG,SPLN, 25.4X43.0X30.2 FLG	1	Oshkosh Defense
4	U1500A	NUT,SELF-LOCKING, EXTENDED WASHER M8-1.25 C10 MB	4	Oshkosh Defense
5	U1504A	GASKET,STRG BEARING	1	Oshkosh Defense

STEERING SHAFT, EXTERIOR

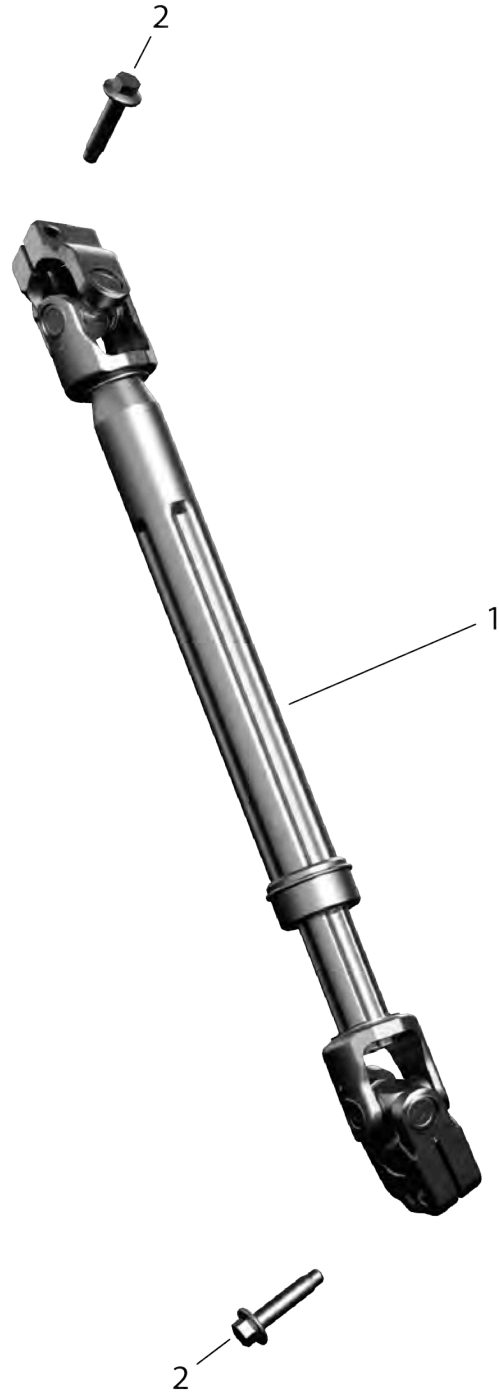


Table 32. STEERING SHAFT,EXTERIOR

Item Number	Part Number	Description	Quantity	Primary Source
1	U1505A	SSHAFT,IN2,IN54, STRAIGHT	1	Oshkosh Defense
2	U1506A	SCR,FLG,HEX, M8-1.25X35 C10	2	Oshkosh Defense

ECU, PSCM, NBX, BEV

- 1 -[2-7]
- 2 -[3-8]

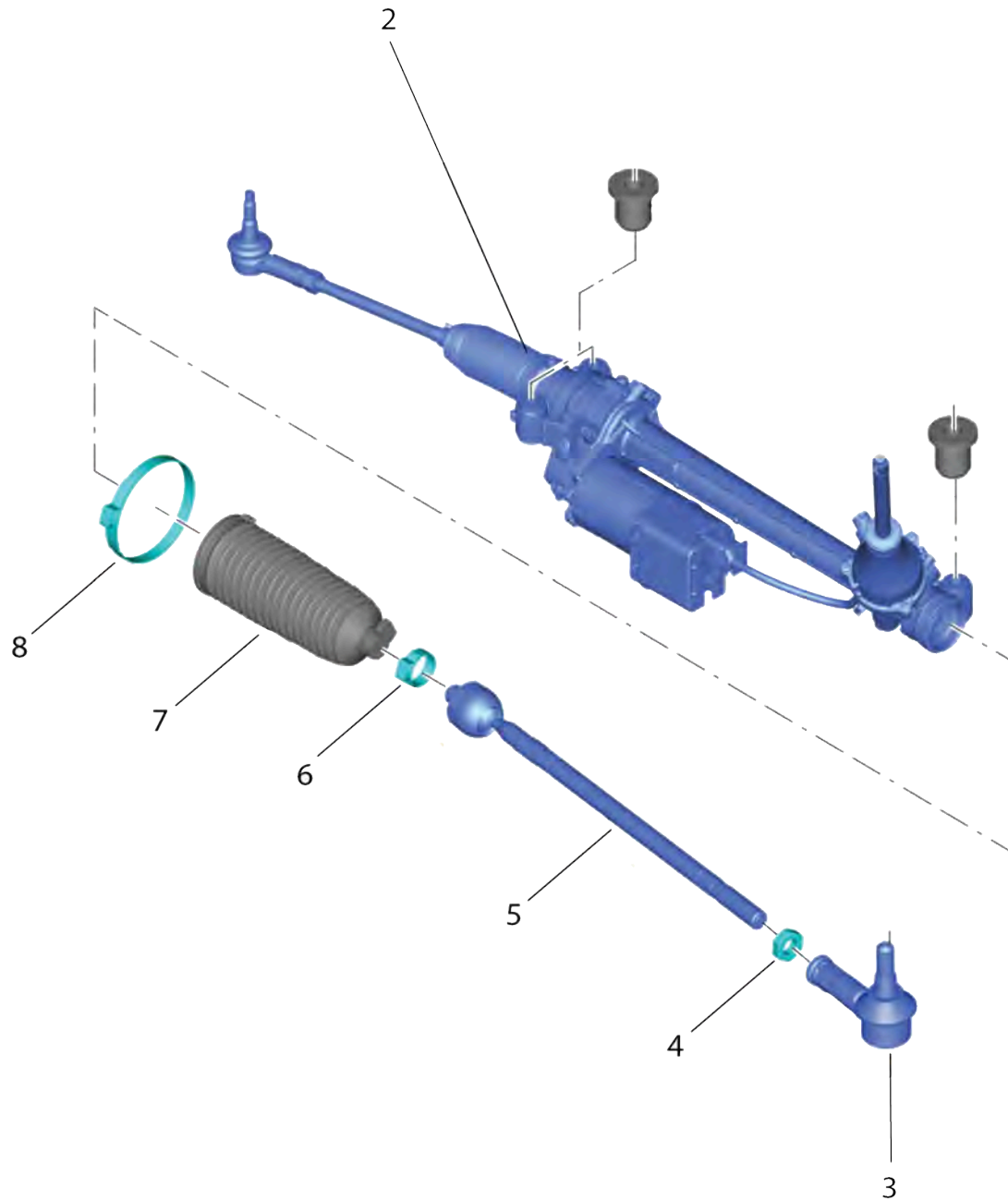


Table 33. ECU,PSCM,NBX,BEV

Item Number	Part Number	Description	Quantity	Primary Source
1	U150EA	MOD ASSY,ECU,PSCM, NBX	1	Oshkosh Defense
2	U150AA	STEERING GEAR	1	Oshkosh Defense
3	U150BA	TIE ROD ASSY,STRG GR,EPAS,RHD	2	Oshkosh Defense
4	U150DA	NUT,TIE ROD,STRG GR,EPAS,RHD	2	Oshkosh Defense
5	U150PA	TIE ROD,STRG GR, NOT PROCURABLE,MUST PURCHASE KK2Z-3280-C	2	Oshkosh Defense
6	U150SA	CLAMP,DUST BOOT, NOT PROCURABLE,MUST PURCHASE KK2Z-3332-A	2	Oshkosh Defense
7	U150QA	BOOT,STRG GR,EPAS, NOT PROCURABLE,MUST PURCHASE KK2Z-3332-A	2	Oshkosh Defense
8	U150RA	CLAMP,DUST BOOT, NOT PROCURABLE,MUST PURCHASE KK2Z-3332-A	2	Oshkosh Defense

ECU, PSCM, NIX, ICE

- 1 -[2-7]
- 2 -[3-8]

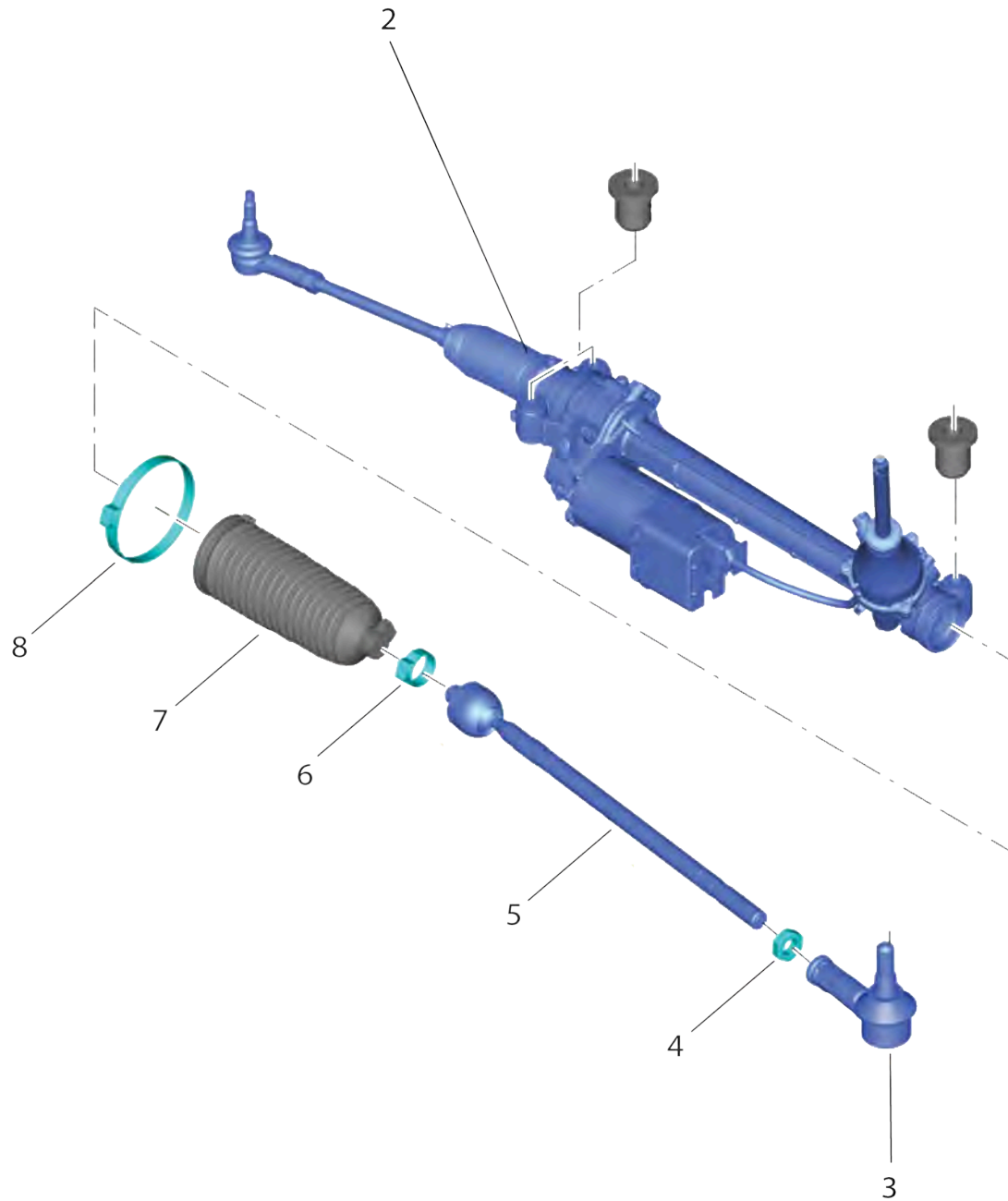


Table 34. ECU,PSCM,NIX,ICE

Item Number	Part Number	Description	Quantity	Primary Source
1	U3500A	MOD ASSY,ECU,PSCM, NIX	1	Oshkosh Defense
2	U150AA	STEERING GEAR	1	Oshkosh Defense
3	U150BA	TIE ROD ASSY,STRG GR,EPAS,RHD	2	Oshkosh Defense
4	U150DA	NUT,TIE ROD,STRG GR,EPAS,RHD	2	Oshkosh Defense
5	U150PA	TIE ROD,STRG GR, NOT PROCURABLE,MUST PURCHASE KK2Z-3280-C	2	Oshkosh Defense
6	U150SA	CLAMP,DUST BOOT, NOT PROCURABLE,MUST PURCHASE KK2Z-3332-A	2	Oshkosh Defense
7	U150QA	BOOT,STRG GR,EPAS, NOT PROCURABLE,MUST PURCHASE KK2Z-3332-A	2	Oshkosh Defense
8	U150RA	CLAMP,DUST BOOT, NOT PROCURABLE,MUST PURCHASE KK2Z-3332-A	2	Oshkosh Defense

MODULE, SWCM

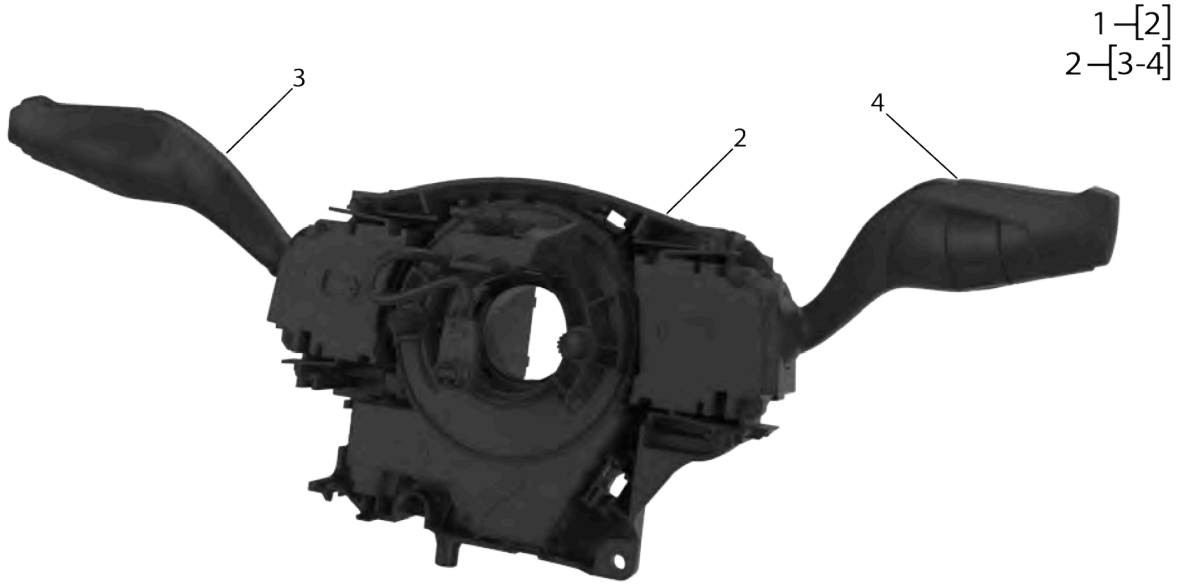


Table 35. MODULE,SWCM

Item Number	Part Number	Description	Quantity	Primary Source
1	D014V465	MODULEASSY,ECU, NXX	1	Oshkosh Defense
2	U3513A	MODULE,CTRL,SWCM	1	Oshkosh Defense
3	U3418A	SWITCH,TURN SIGNAL	1	Oshkosh Defense
4	U3514A	SWITCH,WIPER	1	Oshkosh Defense



WHEELS AND TIRES



Table 36. WHEELS AND TIRES

Item Number	Part Number	Description	Quantity	Primary Source
1	U1803A	TIRE,235-65R16C, AGILIS,121R	1	Oshkosh Defense
2	U1802A	WHEEL 406.4X165.1X60 160 S	1	Oshkosh Defense
3	U1804A	VALVE STEM,TPMS, ASSY	1	Oshkosh Defense
4	U1800A	LUGNUT,HEX M14-1.5 SPL	5	Oshkosh Defense



BRAKES, HULL INTERIOR

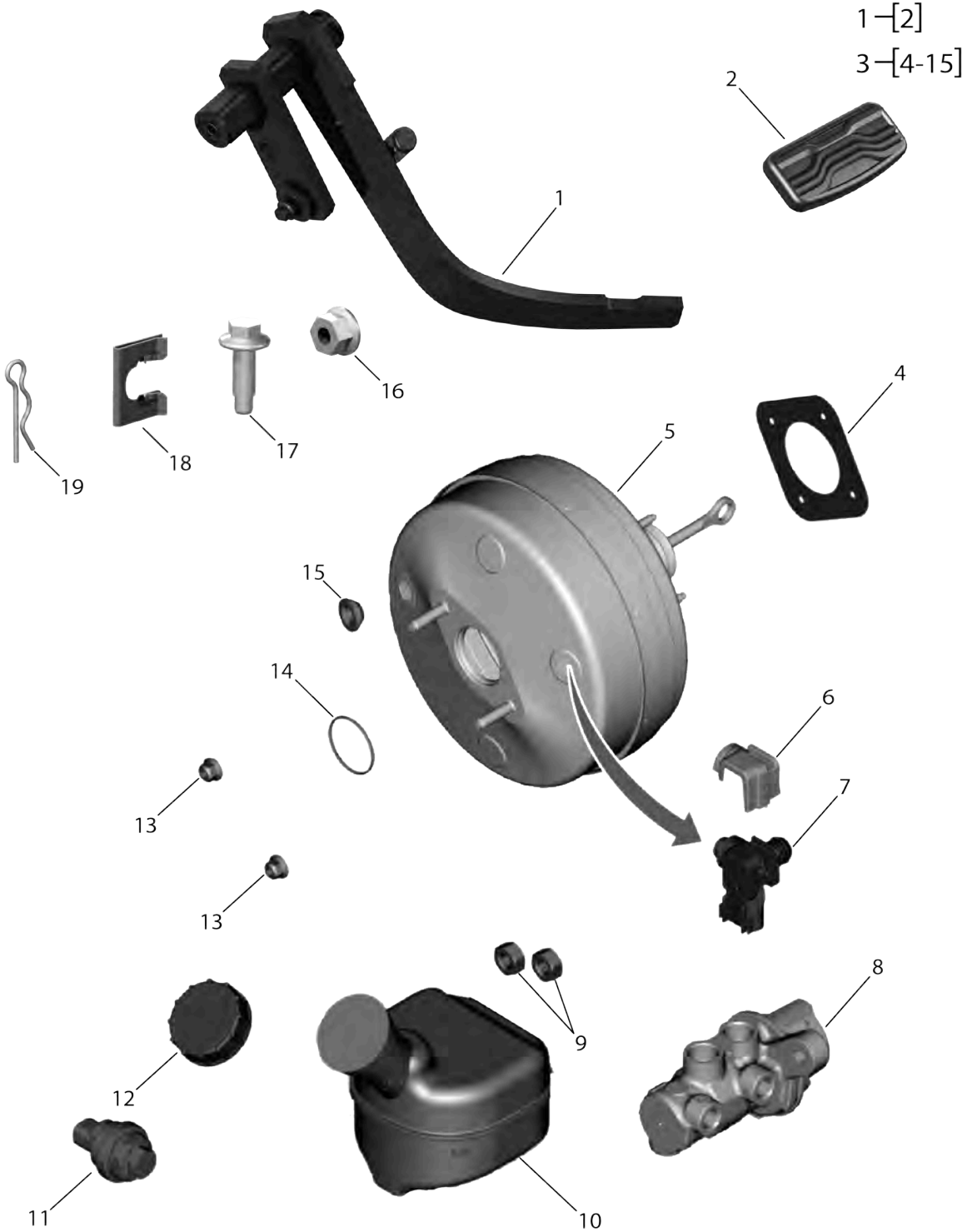


Table 37. BRAKES,HULL INTERIOR

Item Number	Part Number	Description	Quantity	Primary Source
1	U1302A	BRAKE PEDAL ASSY,RH	1	Oshkosh Defense
2	U1303A	PAD,BK,AT,STD	1	Oshkosh Defense
3	U1304A	BK,MA CYL,VAC BSTR CYLINDER BRAKE BOOSTER	1	Oshkosh Defense
4	U1306A	GSKT,SQ,BSTR,BK,MA CYL	1	Oshkosh Defense
5	NK4Z-2005-C001	BSTR,BK,MA CYL,VAC BSTR,NONPROCURABLE,MUST PURCHASE KIT NK4Z-2005-C	1	Oshkosh Defense
6	NK4Z-2005-C004	SHLD,SNSR,BK,MA CYL,VACBSTR,NONPROCURABLE,MUST PURCHASE KIT NK4Z-2005	1	Oshkosh Defense
7	U1307A	SNSR,BK,MA CYL, VACBSTR	1	Oshkosh Defense
8	CK4Z-2140-B001	CYLINDER,MASTER,BK, VAC BSTR,NONPROCURABLE,MUST PURCHASE KIT CK4Z-2140-B	1	Oshkosh Defense
9	CK4Z-2140-B002	GSKT,MA CYL,BK NONPROCURABLE,MUST PURCHASE KIT CK4Z-2140-B	1	Oshkosh Defense
10	CK4Z-2140-B003	RSVR,BK FLUID,BK,MA NONPROCURABLE,MUST PURCHASE KIT CK4Z-2140-B	1	Oshkosh Defense
11	U1308A	SNSR,LL,BK FLUID	1	Oshkosh Defense
12	U130AA	CAP ASSY,BK MSTR	1	Oshkosh Defense
13	NK4Z-2005-C003	NUT,BSTR,BK,MA CYL NONPROCURABLE,MUST PURCHASE KIT NK4Z-2005-C	2	Oshkosh Defense
14	NK4Z-2005-C002	O-RING,BSTR,BK,MA CYL,NONPROCURABLE,MUST PURCHASE KIT NK4Z-2005-C	1	Oshkosh Defense
15	U1305A	GROM,BSTR,BK,MA CYL NOT PROCURABLE,MUST PURCHASE CK4Z-2L181-A	2	Oshkosh Defense
16	U1500A	NUT,SELF-LOCKING, EXTENDED WASHER M8-1.25 C10 MB	4	Oshkosh Defense
17	U1300A	SCR,FLG,HEX,DGP M8X25 C8.8 MG	2	Oshkosh Defense
18	U1309A	CLIP,RETAINING	1	Oshkosh Defense
19	U1301A	PIN,MOUNTING,BRAKE PEDAL	1	Oshkosh Defense

BRAKES, HYDRAULIC DISC, FRONT

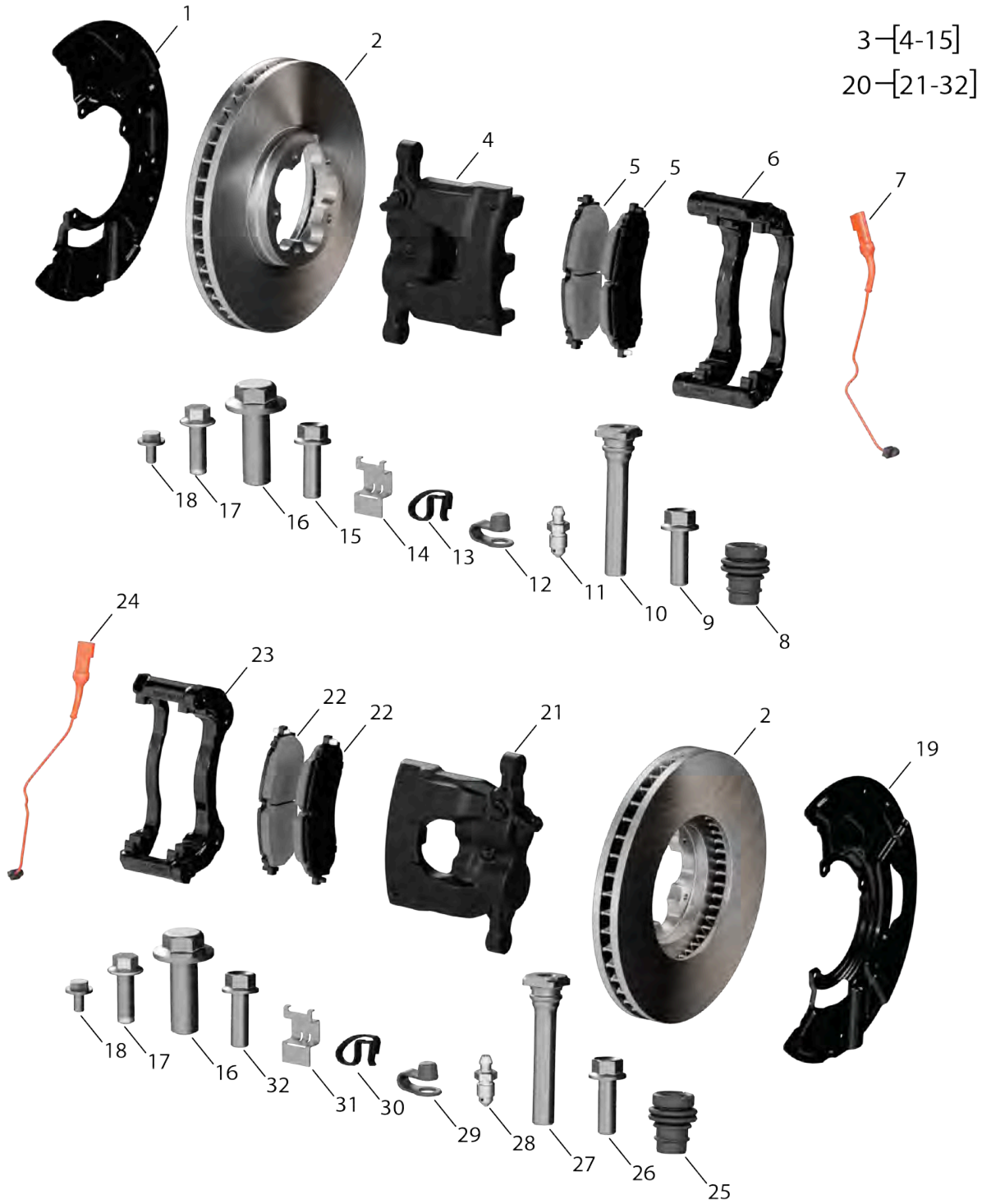
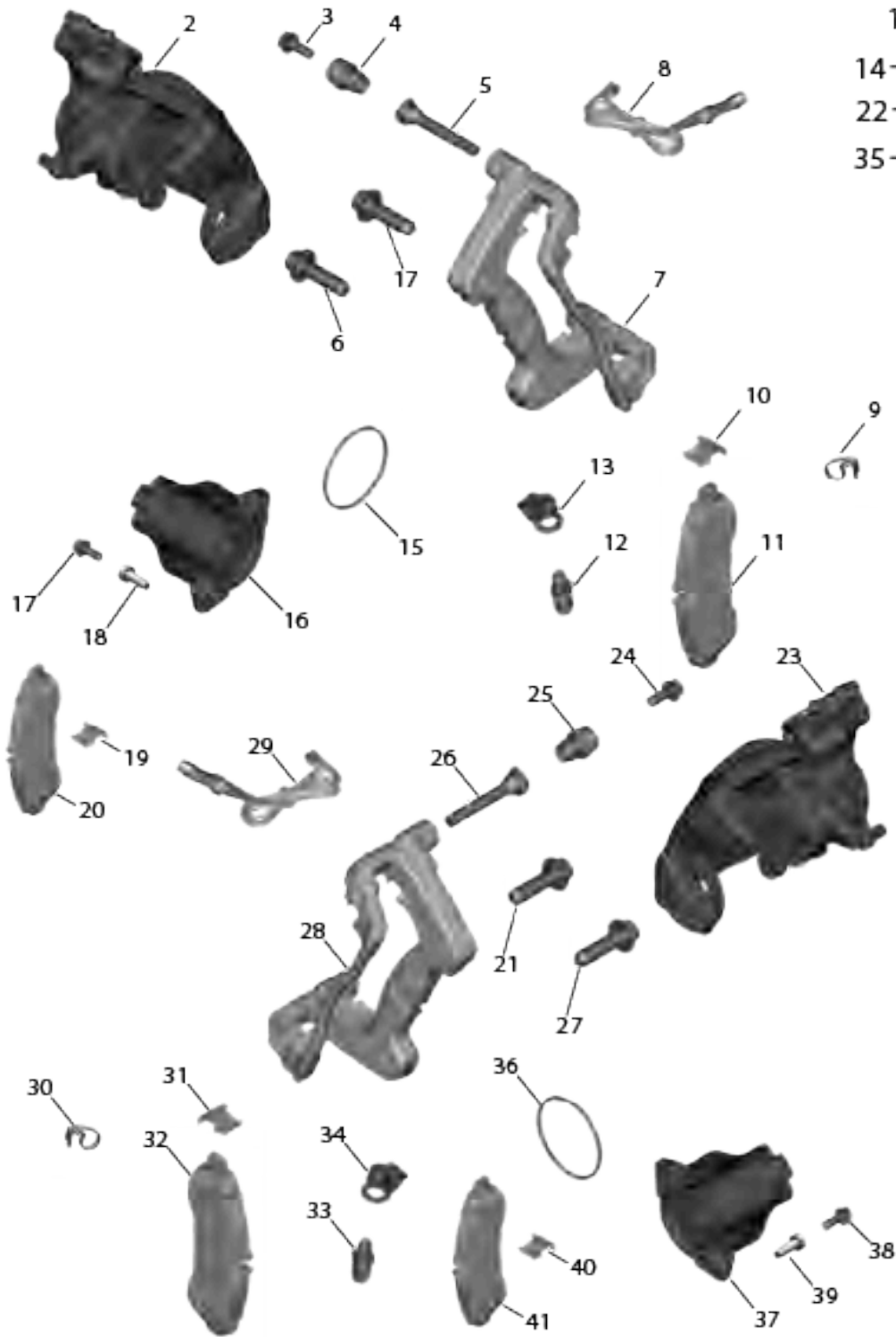


Table 38. BRAKES, HYDRAULIC DISC, FRONT

Item Number	Part Number	Description	Quantity	Primary Source
1	KK21-2K004-AG	SHIELD,DUST,BRAKE, FR,RH	1	Oshkosh Defense
2	U130CA	ROTOR,BRAKE 308X33, FR	2	Oshkosh Defense
3	U130KA	CALIPER ASSY,FR,LH	1	Oshkosh Defense
4	U130LA	CALIPER,BK,FR,LH	1	Oshkosh Defense
5	LK4Z-2001-E004	PADS,CALIPER,BK,FR NONPROCURABLE,MUST PURCHASE KIT U132QA	4	Oshkosh Defense
6	U130HA	PL,ANCHOR,CALIPER, BK,FR	2	Oshkosh Defense
7	U130JA	WIRE,WRN,CALIPER,FR	1	Oshkosh Defense
8	PZ3Z-2C150-A002	PIN,BOOT,CALIPER,BK NONPROCURABLE,MUST PURCHASE KIT PZ3Z-2C150-A	2	Oshkosh Defense
9	PZ3Z-2C150-A003	BOLT,CALIPER,BK,FR NONPROCURABLE,MUST PURCHASE KIT PZ3Z-2C150-A	2	Oshkosh Defense
10	PZ3Z-2C150-A001	PIN,GUIDE,CALIPER, BK,FR,NONPROCURABLE,MUST PURCHASE KIT PZ3Z-2C150-A	2	Oshkosh Defense
11	LK4Z-2208-A002	SCR,BLEEDER, SCREW ASSY,FR,NONPROCURABLE, MUST PURCHASE KIT LK4Z-220	1	Oshkosh Defense
12	LK4Z-2208-A001	CAP,BLEEDER, SCREW ASSY,FR,NONPROCURABLE, MUST PURCHASE KIT LK4Z-220	1	Oshkosh Defense
13	LK4Z-2001-E003	CLIP,SPRG,CALIPER, BK,FR,INT,NONPROCURABLE, MUST PURCHASE KIT U132QA	8	Oshkosh Defense
14	LK4Z-2001-E002	CLIP,SPRG,CALIPER, BK,FR,EXT,NONPROCURABLE, MUST PURCHASE KIT U132QA	8	Oshkosh Defense
15	LK4Z-2001-E001	BOLT,CALIPER,BK,FR NONPROCURABLE,MUST PURCHASE KIT U132QA	4	Oshkosh Defense
16	U130BA	SCR,FLG,HEX M16-2.0X45 C10.9MG	4	Oshkosh Defense
17	U130NA	SCR,FLG,HEX M10-1.5X30C10.9MG	10	Oshkosh Defense
18	U130MA	SCR,WASH,HEX,M6X12	6	Oshkosh Defense
19	KK21-2K005-AG	SHIELD,DUST,BRAKE, FR,LH	1	Oshkosh Defense
20	U130FA	CALIPER ASSY,FR,RH	1	Oshkosh Defense
21	U130GA	CALIPER,BK,FR,RH	1	Oshkosh Defense
22	LK4Z-2001-E004	PADS,CALIPER,BK,FR NONPROCURABLE,MUST PURCHASE KIT U132QA	4	Oshkosh Defense
23	U130HA	PL,ANCHOR,CALIPER, BK,FR	2	Oshkosh Defense
24	U130JA	WIRE,WRN,CALIPER,FR	1	Oshkosh Defense
25	PZ3Z-2C150-A002	PIN,BOOT,CALIPER,BK NONPROCURABLE,MUST PURCHASE KIT PZ3Z-2C150-A	2	Oshkosh Defense
26	PZ3Z-2C150-A003	BOLT,CALIPER,BK,FR NONPROCURABLE,MUST PURCHASE KIT PZ3Z-2C150-A	2	Oshkosh Defense
27	PZ3Z-2C150-A001	PIN,GUIDE,CALIPER, BK,FR,NONPROCURABLE,MUST PURCHASE KIT PZ3Z-2C150-A	2	Oshkosh Defense
28	LK4Z-2208-A002	SCR,BLEEDER, SCREW ASSY,FR,NONPROCURABLE, MUST PURCHASE KIT LK4Z-220	1	Oshkosh Defense
29	LK4Z-2208-A001	CAP,BLEEDER, SCREW ASSY,FR,NONPROCURABLE, MUST PURCHASE KIT LK4Z-220	1	Oshkosh Defense
30	LK4Z-2001-E003	CLIP,SPRG,CALIPER, BK,FR,INT,NONPROCURABLE, MUST PURCHASE KIT U132QA	8	Oshkosh Defense
31	LK4Z-2001-E002	CLIP,SPRG,CALIPER, BK,FR,EXT,NONPROCURABLE, MUST PURCHASE KIT U132QA	8	Oshkosh Defense
32	LK4Z-2001-E001	BOLT,CALIPER,BK,FR NONPROCURABLE,MUST PURCHASE KIT U132QA	4	Oshkosh Defense

BRAKES, HYDRAULIC DISC, REAR, FWD



1-[2-20]
14-[15-17]
22-[23-40]
35-[36-38]

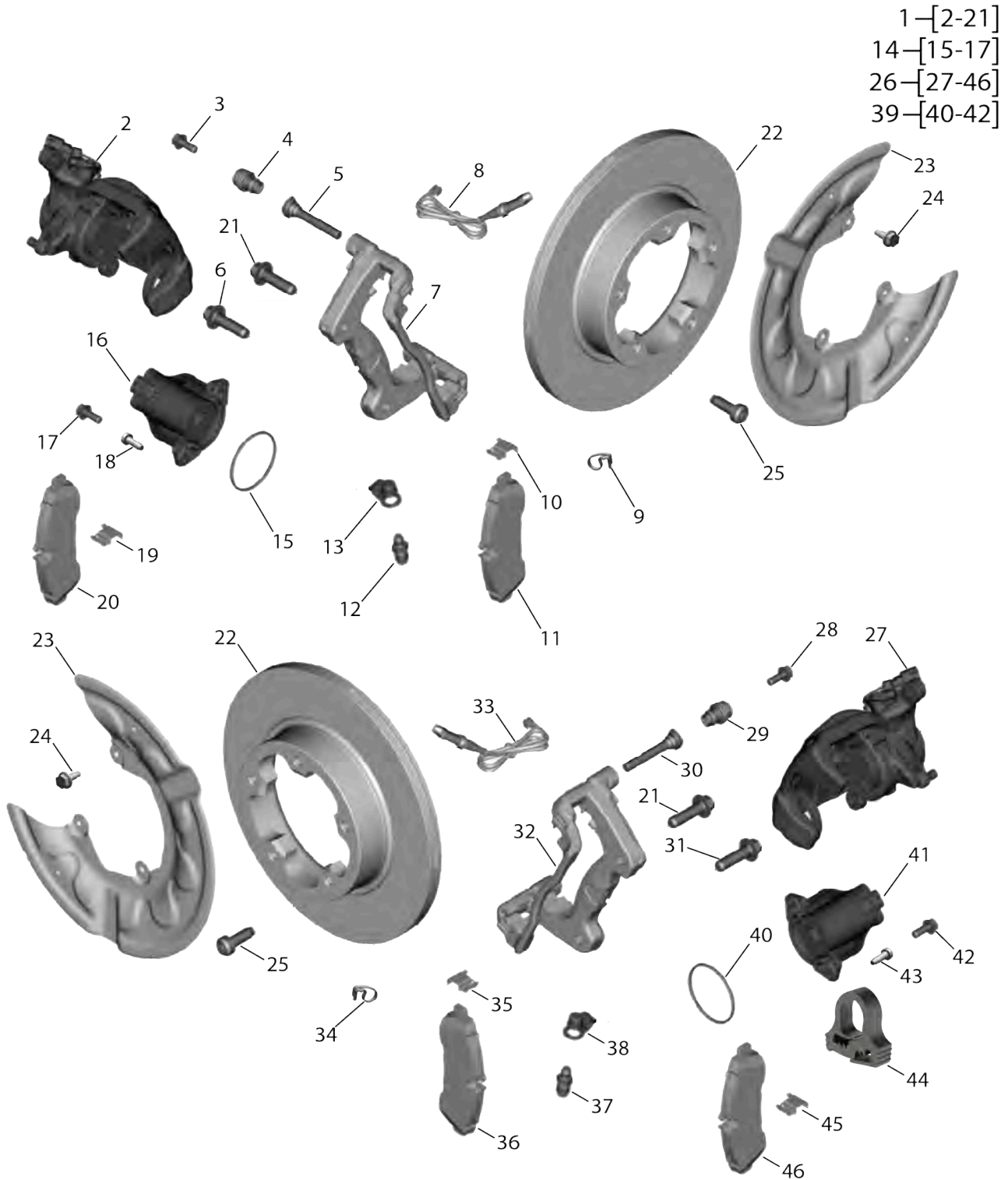
Table 39. BRAKES, HYDRAULIC DISC, REAR, FWD

Item Number	Part Number	Description	Quantity	Primary Source
1	U130WA	CALIPER, RR, LH,	1	Oshkosh Defense
1	MK4Z-2B511-A003	PIN, BOOT, CALIPER, BK, RR, NONPROCURABLE, MUST PURCHASE KIT MK4Z-2B511-A	2	Oshkosh Defense
2	U130XA	CALIPER, BK, RR, LH	1	Oshkosh Defense
3	MK4Z-2B511-A004	BOLT, GUIDE PIN, CALIPER, BK, RR, NONPROCURABLE, MUST PURCHASE KIT MK4Z-2B5	2	Oshkosh Defense
5	MK4Z-2B511-A002	PIN, GUIDE, CALIPER, BK, RR, NONPROCURABLE, MUST PURCHASE KIT MK4Z-2B511-A	2	Oshkosh Defense
6	MK4Z-2200-B003	BOLT, CALIPER, BK, RR NONPROCURABLE, MUST PURCHASE KIT U132WA	2	Oshkosh Defense
7	MK4Z-2B511-A001	PL, ANCHOR, CALIPER, BK, RR, NONPROCURABLE, MUST PURCHASE KIT MK4Z-2B511-A	1	Oshkosh Defense
8	MK4Z-2N248-A	WIRE, WRN, CALIPER, RR, ICE, PART OF KIT U132WA	1	Oshkosh Defense
9	MK4Z-2200-B004	CLIP, SPRG, CALIPER, BK, RR, INT, NONPROCURABLE, MUST PURCHASE KIT U132WA	2	Oshkosh Defense
10	MK4Z-2200-B002	CLIP, SPRG, CALIPER, BK, RR, EXT, NONPROCURABLE, MUST PURCHASE KIT U132WA	2	Oshkosh Defense
11	MK4Z-2200-B001	PAD, CALIPER, BK, RR NONPROCURABLE, MUST PURCHASE KIT U132WA	1	Oshkosh Defense
12	6C1Z-2208-A002	SCR, BLEEDER, SCREW ASSY, RR, NONPROCURABLE, MUST PURCHASE KIT 6C1Z-2208	1	Oshkosh Defense
13	6C1Z-2208-A001	CAP, BLEEDER, SCREW ASSY, RR, NONPROCURABLE, MUST PURCHASE KIT 6C1Z-2208	1	Oshkosh Defense
14	U130UA	MOTOR, BK, CALIPER, RR, E-PARK	1	Oshkosh Defense
15	MB3Z-2B712-B001	ORING, MOT, BK, CALIPER, RR, NONPROCURABLE, COMES WITH MOTOR MB3Z-2B712-B	1	Oshkosh Defense
16	MB3Z-2B712-B002	MOT, BK, CALIPER, RR, E-PARK, NONPROCURABLE, MUST PURCHASE MB3Z-2B712-B	1	Oshkosh Defense
17	MB3Z-2B712-B003	SCR, PRKG BRK, ELE MUST PURCHASE MB3Z-2B712-B OR MB3Z-SFS	2	Oshkosh Defense
18	W717197-S439	SCR, MOT, BK, CALIPER, RR	4	Oshkosh Defense
19	MK4Z-2200-B005	CLIP, CALIPER, ANTI RTL, NONPROCURABLE, MUST PURCHASE KIT U132WA	4	Oshkosh Defense
20	MK4Z-2200-B006	PAD, CALIPER, BK, RR NONPROCURABLE, MUST PURCHASE KIT U132WA	1	Oshkosh Defense
21	U130QA	SCR, FLG, HEX M12-1.25X45C10.9MG	4	Oshkosh Defense
22	U130RA	CALIPER, RR, RH,	1	Oshkosh Defense
23	U130SA	CALIPER, BK, RR, RH	1	Oshkosh Defense
24	MK4Z-2B511-A004	BOLT, GUIDE PIN, CALIPER, BK, RR, NONPROCURABLE, MUST PURCHASE KIT MK4Z-2B511-A	2	Oshkosh Defense
25	MK4Z-2B511-A003	PIN, BOOT, CALIPER, BK, RR, NONPROCURABLE, MUST PURCHASE KIT MK4Z-2B511-A	2	Oshkosh Defense
26	MK4Z-2B511-A002	PIN, GUIDE, CALIPER, BK, RR, NONPROCURABLE, MUST PURCHASE KIT MK4Z-2B511-A	2	Oshkosh Defense
27	MK4Z-2200-B003	BOLT, CALIPER, BK, RR NONPROCURABLE, MUST PURCHASE KIT U132WA	2	Oshkosh Defense
28	MK4Z-2B511-A001	PL, ANCHOR, CALIPER, BK, RR, NONPROCURABLE, MUST PURCHASE KIT MK4Z-2B511-A	1	Oshkosh Defense
29	MK4Z-2N248-A	WIRE, WRN, CALIPER, RR, ICE, PART OF KIT U132WA	1	Oshkosh Defense
30	MK4Z-2200-B004	CLIP, SPRG, CALIPER, BK, RR, INT, NONPROCURABLE, MUST PURCHASE KIT U132WA	2	Oshkosh Defense
31	MK4Z-2200-B002	CLIP, SPRG, CALIPER, BK, RR, EXT, NONPROCURABLE, MUST PURCHASE KIT U132WA	2	Oshkosh Defense
32	MK4Z-2200-B001	PAD, CALIPER, BK, RR NONPROCURABLE, MUST PURCHASE KIT U132WA	1	Oshkosh Defense
33	6C1Z-2208-A002	SCR, BLEEDER, SCREW ASSY, RR, NONPROCURABLE, MUST PURCHASE KIT 6C1Z-2208	1	Oshkosh Defense
34	6C1Z-2208-A001	CAP, BLEEDER, SCREW ASSY, RR, NONPROCURABLE, MUST PURCHASE KIT 6C1Z-2208	1	Oshkosh Defense
35	U130UA	MOTOR, BK, CALIPER, RR, E-PARK	1	Oshkosh Defense
36	MB3Z-2B712-B001	ORING, MOT, BK, CALIPER, RR, NONPROCURABLE, COMES WITH MOTOR MB3Z-2B712-B	1	Oshkosh Defense
37	MB3Z-2B712-B002	MOT, BK, CALIPER, RR, E-PARK, NONPROCURABLE, MUST PURCHASE MB3Z-2B712-B	1	Oshkosh Defense
38	MB3Z-2B712-B003	SCR, PRKG BRK, ELE MTR, NONPROCURABLE, MUST PURCHASE MB3Z-2B712-B OR MB3Z-	2	Oshkosh Defense
39	W717197-S439	SCR, MOT, BK, CALIPER, RR	4	Oshkosh Defense

BRAKES**Table 39. BRAKES, HYDRAULIC DISC, REAR, FWD (continued)**

Item Number	Part Number	Description	Quantity	Primary Source
40	MK4Z-2200-B005	CLIP,CALIPER,ANTI RTL,NONPROCURABLE,MUST PURCHASE KIT U132WA	4	Oshkosh Defense
41	MK4Z-2200-B006	PAD,CALIPER,BK,RR NONPROCURABLE,MUST PURCHASE KIT U132WA	1	Oshkosh Defense

BRAKES, HYDRAULIC DISC, REAR, AWD



BRAKES

Table 40. BRAKES, HYDRAULIC DISC, REAR, AWD

Item Number	Part Number	Description	Quantity	Primary Source
1	U130WA	CALIPER, RR, LH,	1	Oshkosh Defense
2	U130XA	CALIPER, BK, RR, LH	1	Oshkosh Defense
3	MK4Z-2B511-A004	BOLT, GUIDE PIN, CALIPER, BK, RR, NONPROCURABLE, MUST PURCHASE KIT MK4Z-2B5	2	Oshkosh Defense
4	MK4Z-2B511-A003	PIN, BOOT, CALIPER, BK, RR, NONPROCURABLE, MUST PURCHASE KIT MK4Z-2B511-A	2	Oshkosh Defense
5	MK4Z-2B511-A002	PIN, GUIDE, CALIPER, BK, RR, NONPROCURABLE, MUST PURCHASE KIT MK4Z-2B511-A	2	Oshkosh Defense
6	MK4Z-2200-B003	BOLT, CALIPER, BK, RR NONPROCURABLE, MUST PURCHASE KIT U132WA	2	Oshkosh Defense
7	MK4Z-2B511-A001	PL, ANCHOR, CALIPER, BK, RR, NONPROCURABLE, MUST PURCHASE KIT MK4Z-2B511-A	1	Oshkosh Defense
8	MK4Z-2N248-A	WIRE, WRN, CALIPER, RR, ICE, PART OF KIT U132WA	1	Oshkosh Defense
9	MK4Z-2200-B004	CLIP, SPRG, CALIPER, BK, RR, INT, NONPROCURABLE, MUST PURCHASE KIT U132WA	2	Oshkosh Defense
10	MK4Z-2200-B002	CLIP, SPRG, CALIPER, BK, RR, EXT, NONPROCURABLE, MUST PURCHASE KIT U132WA	2	Oshkosh Defense
11	MK4Z-2200-B001	PAD, CALIPER, BK, RR NONPROCURABLE, MUST PURCHASE KIT U132WA	1	Oshkosh Defense
12	6C1Z-2208-A002	SCR, BLEEDER, SCREWASSY, RR, NONPROCURABLE, MUST PURCHASE KIT 6C1Z-220	1	Oshkosh Defense
13	6C1Z-2208-A001	CAP, BLEEDER, SCREWASSY, RR, NONPROCURABLE, MUST PURCHASE KIT 6C1Z-220	1	Oshkosh Defense
14	U130UA	MOTOR, BK, CALIPER, RR, E-PARK	1	Oshkosh Defense
15	MB3Z-2B712-B001	ORING, MOT, BK, CALIPER, RR, NONPROCURABLE, MUST PURCHASE MB3Z-2B712-B O	1	Oshkosh Defense
16	MB3Z-2B712-B002	MOT, BK, CALIPER, RR, E-PARK, NONPROCURABLE, MUST PURCHASE MB3Z-2B712-B	1	Oshkosh Defense
17	MB3Z-2B712-B003	SCR, PRKG BRK, ELE MTR, NONPROCURABLE, MUST PURCHASE MB3Z-2B712-B OR MB3Z-	2	Oshkosh Defense
18	W717197-S439	SCR, MOT, BK, CALIPER, RR	4	Oshkosh Defense
19	MK4Z-2200-B005	CLIP, CALIPER, ANTI RTL, NONPROCURABLE, MUST PURCHASE KIT U132WAS	4	Oshkosh Defense
20	MK4Z-2200-B006	PAD, CALIPER, BK, RR NONPROCURABLE, MUST PURCHASE KIT U132WA	1	Oshkosh Defense
21	U130QA	SCR, FLG, HEX M12-1.25X45C10.9MG	4	Oshkosh Defense
22	U130YA	ROTOR, BRAKE 308X18, RR	2	Oshkosh Defense
23	U130ZA	SHIELD, DUST, BRAKE, RR	2	Oshkosh Defense
24	U130PA	SCR, FLG, HEX, DGP M6X16 C8.8 MG	6	Oshkosh Defense
25	U1310A	SCR, SPL, TRX, NY M12-1.5X36C10MG	10	Oshkosh Defense
26	U130RA	CALIPER, RR, RH,	1	Oshkosh Defense
27	U130SA	CALIPER, BK, RR, RH	1	Oshkosh Defense
28	MK4Z-2B511-A004	BOLT, GUIDE PIN, CALIPER, BK, RR, NONPROCURABLE, MUST PURCHASE KIT MK4Z-2B5	2	Oshkosh Defense
29	MK4Z-2B511-A003	PIN, BOOT, CALIPER, BK, RR, NONPROCURABLE, MUST PURCHASE KIT MK4Z-2B511-A	2	Oshkosh Defense
30	MK4Z-2B511-A002	PIN, GUIDE, CALIPER, BK, RR, NONPROCURABLE, MUST PURCHASE KIT MK4Z-2B511-A	2	Oshkosh Defense
31	MK4Z-2200-B003	BOLT, CALIPER, BK, RR NONPROCURABLE, MUST PURCHASE KIT U132WA	2	Oshkosh Defense
32	MK4Z-2B511-A001	PL, ANCHOR, CALIPER, BK, RR, NONPROCURABLE, MUST PURCHASE KIT MK4Z-2B511-A	1	Oshkosh Defense
33	MK4Z-2N248-A	WIRE, WRN, CALIPER, RR, ICE, PART OF KIT U132WA	1	Oshkosh Defense
34	MK4Z-2200-B004	CLIP, SPRG, CALIPER, BK, RR, INT, NONPROCURABLE, MUST PURCHASE KIT U132WA	2	Oshkosh Defense
35	MK4Z-2200-B002	CLIP, SPRG, CALIPER, BK, RR, EXT, NONPROCURABLE, MUST PURCHASE KIT U132WA	2	Oshkosh Defense
36	MK4Z-2200-B001	PAD, CALIPER, BK, RR NONPROCURABLE, MUST PURCHASE KIT U132WA	1	Oshkosh Defense
37	6C1Z-2208-A002	SCR, BLEEDER, SCREWASSY, RR, NONPROCURABLE, MUST PURCHASE KIT 6C1Z-220	1	Oshkosh Defense
38	6C1Z-2208-A001	CAP, BLEEDER, SCREWASSY, RR, NONPROCURABLE, MUST PURCHASE KIT 6C1Z-220	1	Oshkosh Defense
39	U130UA	MOTOR, BK, CALIPER, RR, E-PARK	1	Oshkosh Defense
40	MB3Z-2B712-B001	ORING, MOT, BK, CALIPER, RR, NONPROCURABLE, MUST PURCHASE MB3Z-2B712-B O	1	Oshkosh Defense
41	MB3Z-2B712-B002	MOT, BK, CALIPER, RR, E-PARK, NONPROCURABLE, MUST PURCHASE MB3Z-2B712-B	1	Oshkosh Defense

Table 40. BRAKES, HYDRAULIC DISC, REAR, AWD (continued)

Item Number	Part Number	Description	Quantity	Primary Source
42	MB3Z-2B712-B003	SCR, PRKG BRK, ELE MTR, NONPROCURABLE, MUST PURCHASE MB3Z-2B712-B OR MB3Z-	2	Oshkosh Defense
43	W717197-S439	SCR, MOT, BK, CALIPER, RR	4	Oshkosh Defense
44	U1311A	CLAMP, SNAP	1	Oshkosh Defense
45	MK4Z-2200-B005	CLIP, CALIPER, ANTI RTL, NONPROCURABLE, MUST PURCHASE KIT U132WA	4	Oshkosh Defense
46	MK4Z-2200-B006	PAD, CALIPER, BK, RR NONPROCURABLE, MUST PURCHASE KIT U132WA	1	Oshkosh Defense

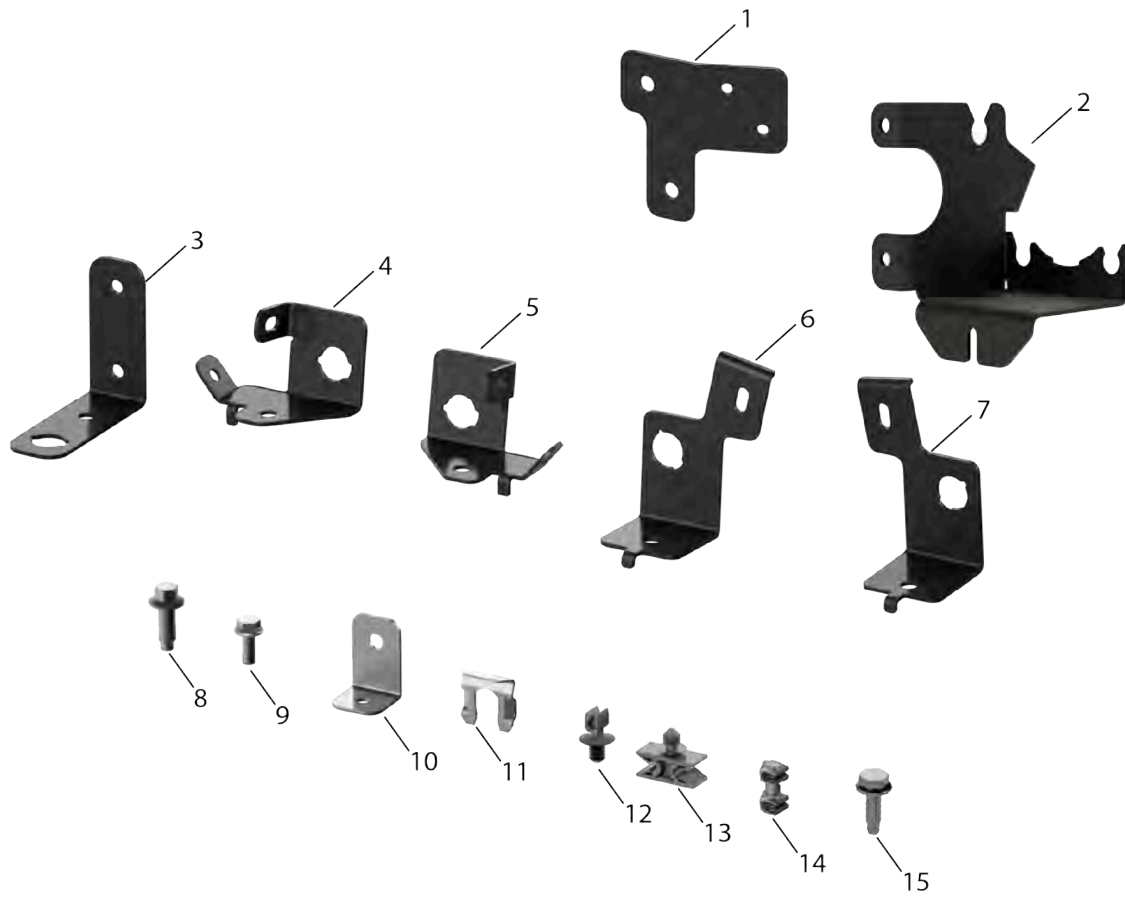


Table 41. BRAKES,CHASSIS,AWD

Item Number	Part Number	Description	Quantity	Primary Source
1	U131FA	BRKT,BRAKE,CHASSIS FIREWALL	1	Oshkosh Defense
2	U131DA	BRKT, ABS MOUNT	1	Oshkosh Defense
3	U131RA	BRKT,BRK,FR	2	Oshkosh Defense
4	U131MA	BRKT,RR, BRKHOSSUPTRH	1	Oshkosh Defense
5	U131LA	BRKT,RR, BRKHOSSUPTLH	1	Oshkosh Defense
6	U131NA	BRKT,RR,BRK HOS SUPT LH	1	Oshkosh Defense
7	U131PA	BRKT,RR,BRK HOSE SUPT RH	1	Oshkosh Defense
8	U131QA	SCR,FLG,HEX, M8X1.25X20	4	Oshkosh Defense
9	U131KA	SCREW,CAP,HEXAGON HEAD,M6-1.0X20 C10.9 MB	5	Oshkosh Defense
10	U131GA	BRKT,BRAKE,CHASSIS HVAC	1	Oshkosh Defense
11	U131EA	CLIP,BRAKE HOSE	10	Oshkosh Defense
12	U131JA	CLIP,SPRG .25 NY PU PUSH	4	Oshkosh Defense
13	U131HA	CLIP,SPRG .188 NY PUSH	8	Oshkosh Defense
14	U131CA	CLIP,SPRG .188 NY PUSH	6	Oshkosh Defense
15	U5200A	SCR,FLG,HEX,DGP M6X20 C8.8 MG	4	Oshkosh Defense

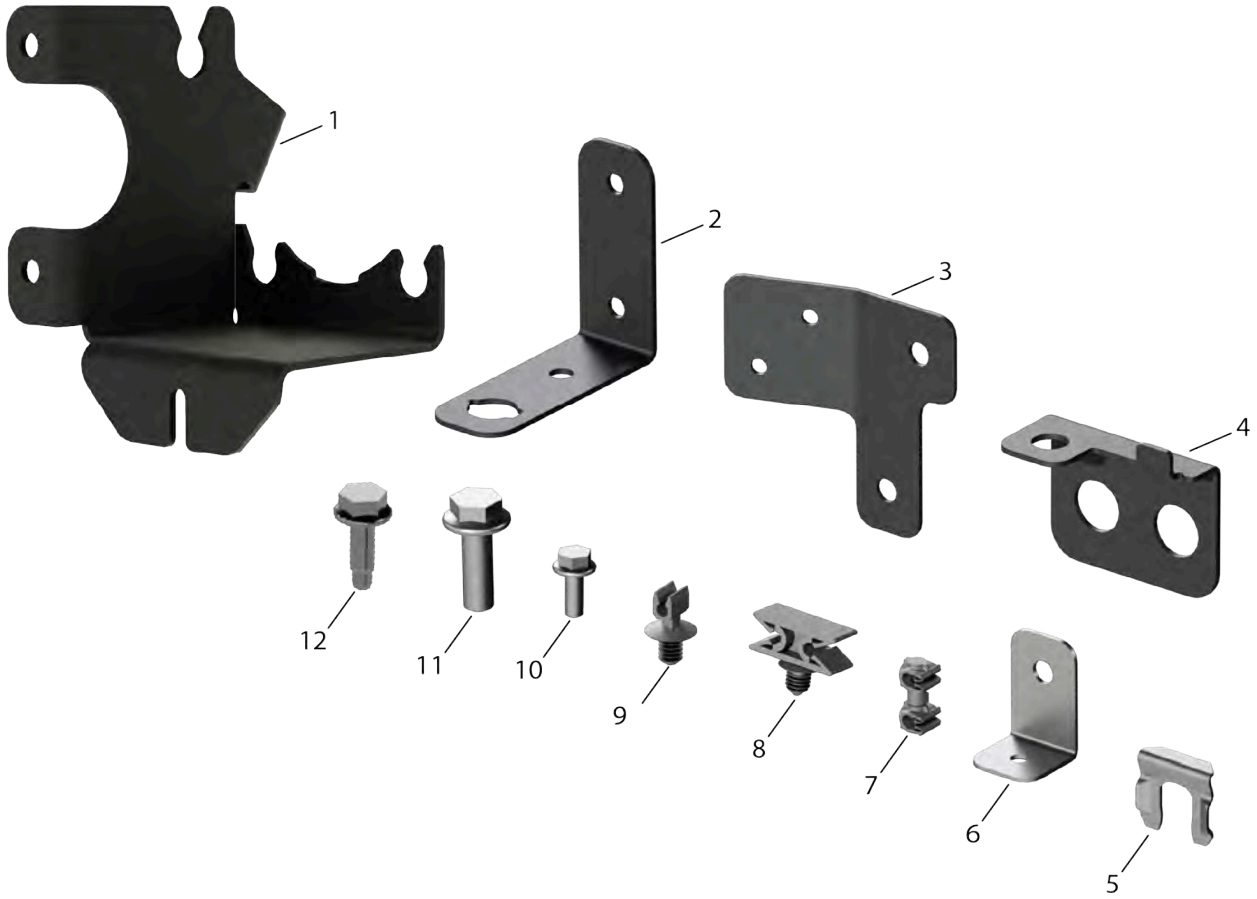


Table 42. BRAKES,CHASSIS,FWD

Item Number	Part Number	Description	Quantity	Primary Source
1	U131DA	BRKT, ABS MOUNT	1	Oshkosh Defense
2	U131RA	BRKT,BRK,FR	2	Oshkosh Defense
3	U131FA	BRKT,BRAKE,CHASSIS FIREWALL	1	Oshkosh Defense
4	U131TA	BRKT,BRAKE LINES,RR AXLE	1	Oshkosh Defense
5	U131EA	CLIP,BRAKE HOSE	8	Oshkosh Defense
6	U131GA	BRKT,BRAKE,CHASSIS HVAC	1	Oshkosh Defense
7	U131CA	CLIP,SPRG .188 NY PUSH	6	Oshkosh Defense
8	U131HA	CLIP,SPRG .188 NY PUSH	10	Oshkosh Defense
9	U131JA	CLIP,SPRG .25 NY PU PUSH	2	Oshkosh Defense
10	U131KA	SCREW,CAP,HEXAGON HEAD,M6-1.0X20 C10.9 MB	5	Oshkosh Defense
11	U1600A	SCREW,CAP,HEXAGON HEAD,M10-1.5X30 C10.9 MG	1	Oshkosh Defense
12	U5200A	SCR,FLG,HEX,DGP M6X20 C8.8 MG	4	Oshkosh Defense

PLUMBING, FRONT

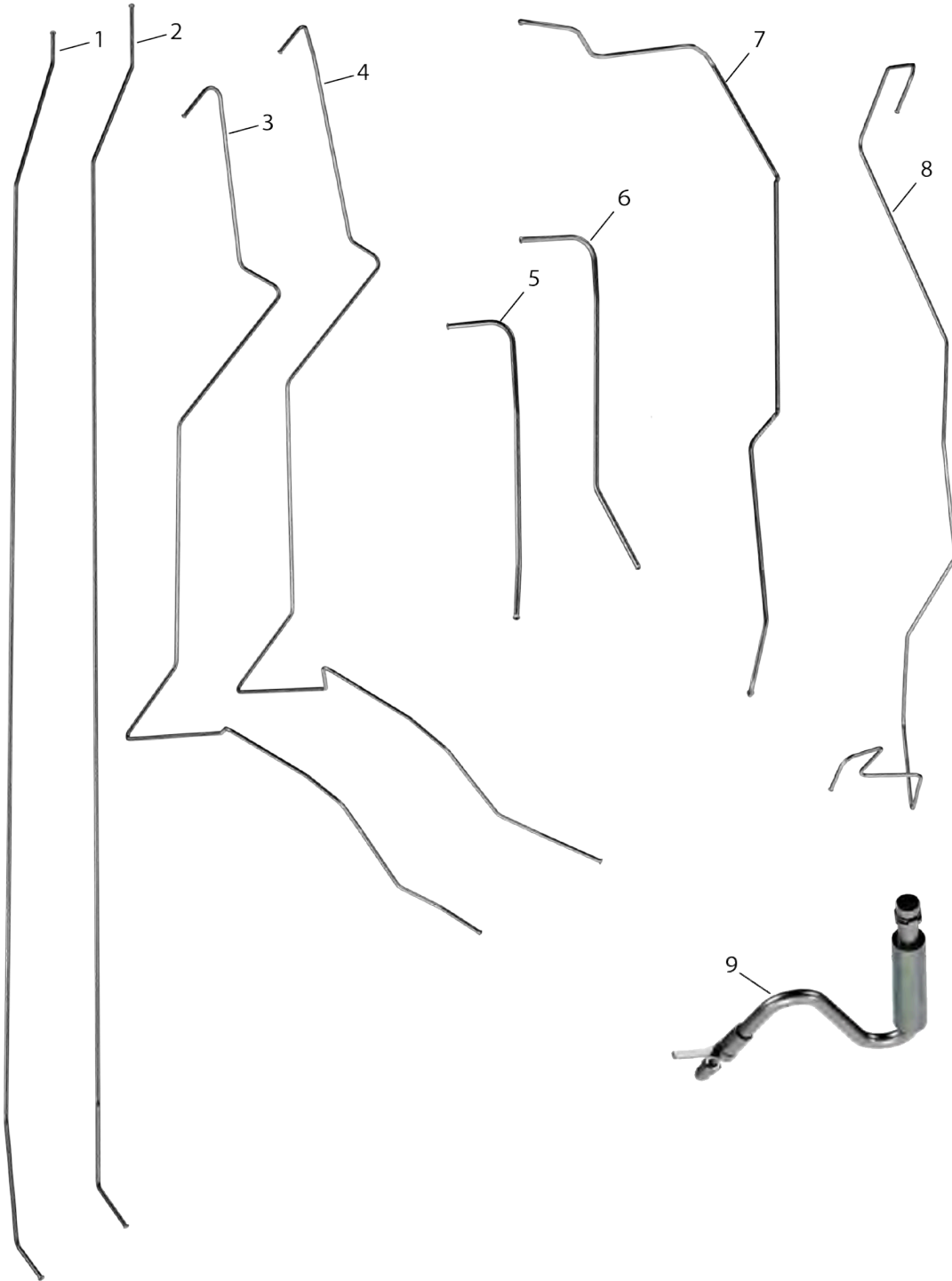


Table 43. PLUMBING,FRONT

Item Number	Part Number	Description	Quantity	Primary Source
1	U1313A	TUBE ASSY,BRAKE, SPL,SS,L MID	1	Oshkosh Defense
2	U1314A	TUBE ASSY,BRAKE, SPL,SS,R MID	1	Oshkosh Defense
3	U1315A	TUBE ASSY,BRAKE, SPL,SS,RL FR	1	Oshkosh Defense
4	U1316A	TUBE ASSY,BRAKE, SPL,SS,RR FR	1	Oshkosh Defense
5	U1317A	TUBE ASSY,BRAKE, ISO,SS,R MC	1	Oshkosh Defense
6	U1318A	TUBE ASSY,BRAKE, ISO,SS,R MC	1	Oshkosh Defense
7	U131AA	TUBE ASSY,BRAKE, ISO,SS,RF	1	Oshkosh Defense
8	U1319A	TUBE ASSY,BRAKE, SPL,SS,LF	1	Oshkosh Defense
9	U1312A	HOSE ASSY,FRONT WHEEL BRAKE	2	Oshkosh Defense

PLUMBING, REAR, FWD

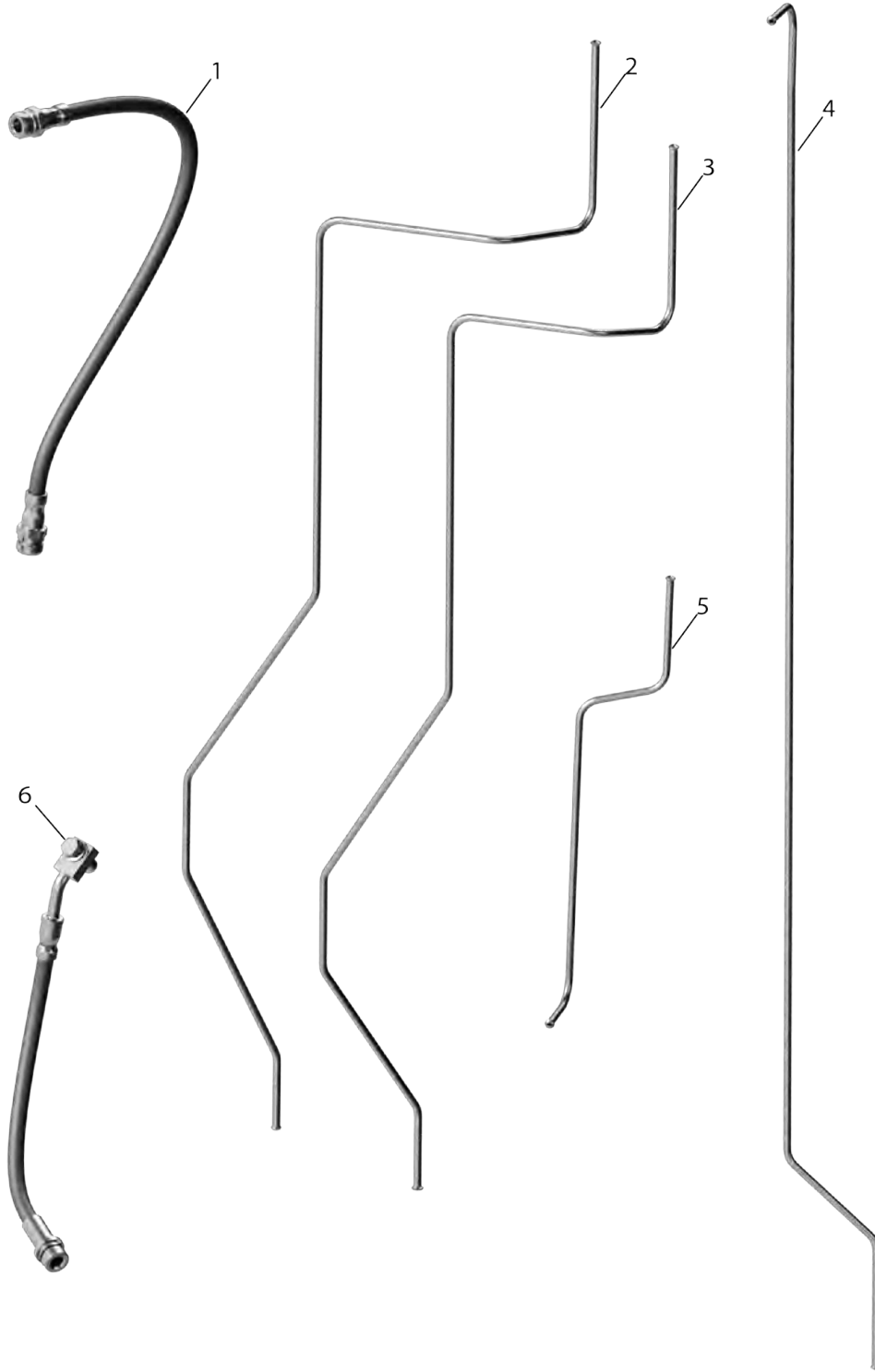


Table 44. PLUMBING,REAR,FWD

Item Number	Part Number	Description	Quantity	Primary Source
1	U131UA	HOSE ASSY #2 CR 18.0.	2	Oshkosh Defense
2	U131XA	TUBE ASSY,BRAKE, SPL,SS LR FWD	1	Oshkosh Defense
3	U131YA	TUBE ASSY,BRAKE, SPL,SS RR FWD	1	Oshkosh Defense
4	U131VA	TUBE ASSY,BRAKE, SPL,SS,RL FWD	1	Oshkosh Defense
5	U131WA	TUBE ASSY,BRAKE, SPL,SS,RR FWD	1	Oshkosh Defense
6	U131ZA	HOSE ASSY #2 CR 11.5	2	Oshkosh Defense

PLUMBING, REAR, AWD

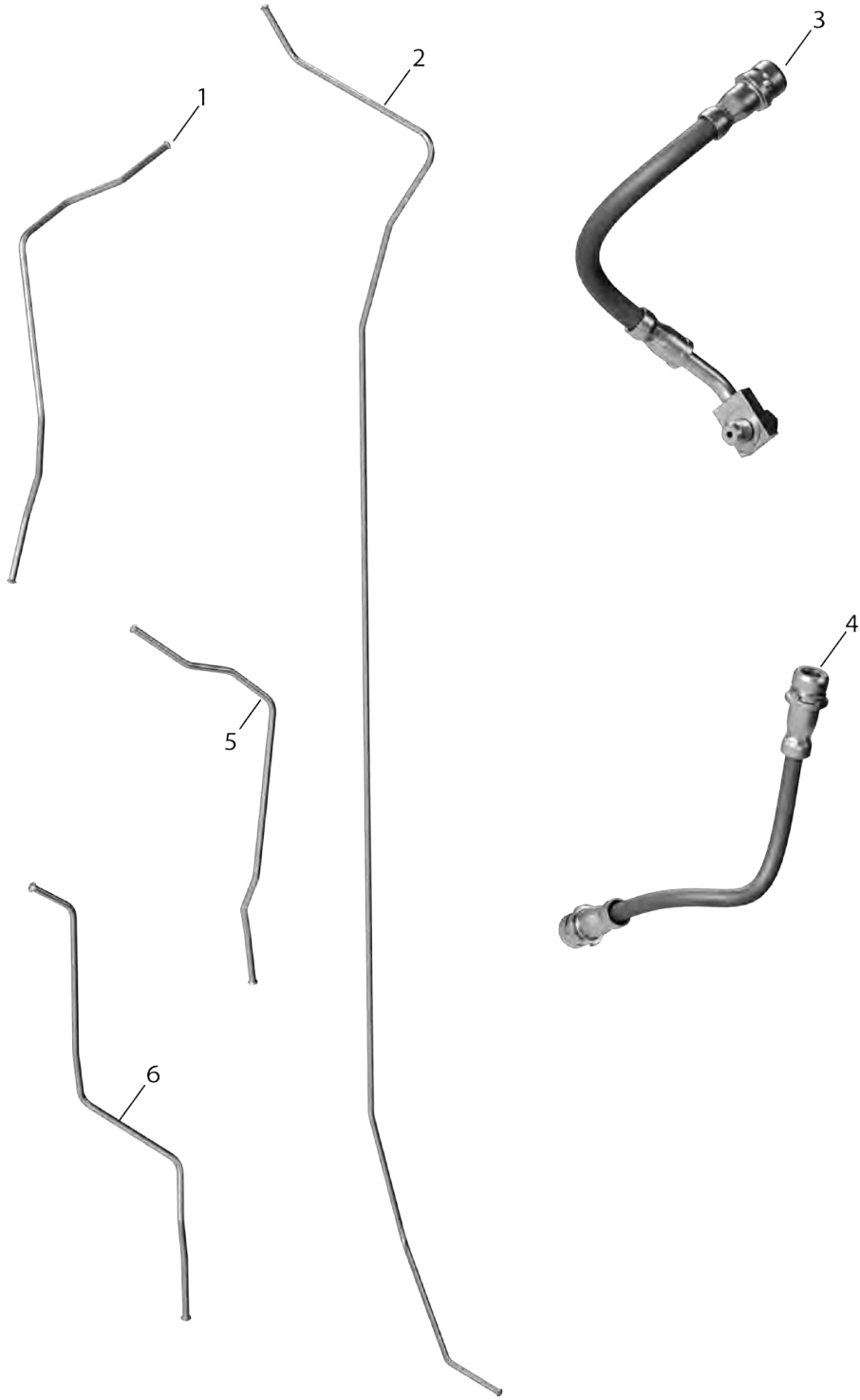


Table 45. PLUMBING,REAR,AWD

Item Number	Part Number	Description	Quantity	Primary Source
1	U1324A	TUBE ASSY,BRAKE, ISO,SS,RB AWD	1	Oshkosh Defense
2	U1322A	TUBE ASSY,BRAKE, SPL,SS,LR AWD	1	Oshkosh Defense
3	U1321A	HOSE ASSY #3 CR 8.5	2	Oshkosh Defense
4	U1320A	HOSE ASSY #2 CR 9.0	2	Oshkosh Defense
5	U1325A	TUBE ASSY,BRAKE, ISO,SS,LB AWD	1	Oshkosh Defense
6	U1323A	TUBE ASSY,BRAKE, SPL,SS,RR AWD	1	Oshkosh Defense

BRAKES,ABS,FRONT



Table 46. BRAKE,ABS,FRONT

Item Number	Part Number	Description	Quantity	Primary Source
1	U1327A	SCR,FLG,HEX M6-1.0X14 C8.8 MG	2	Oshkosh Defense
2	U1328A	SENSOR,ABS,WHEEL END,STRT	2	Oshkosh Defense

BRAKES,ABS,RR,FWD



Table 47. BRAKE,ABS,RR,FWD

Item Number	Part Number	Description	Quantity	Primary Source
1	U1327A	SCR,FLG,HEX M6-1.0X14 C8.8 MG	2	Oshkosh Defense
2	U1328A	SENSOR,ABS,WHEEL END,STRT	2	Oshkosh Defense

BRAKES,ABS,RR,AWD



Table 48. BRAKE,ABS,RR,AWD

Item Number	Part Number	Description	Quantity	Primary Source
1	U1327A	SCR,FLG,HEX M6-1.0X14 C8.8 MG	2	Oshkosh Defense
2	U1328A	SENSOR,ABS,WHEEL END,STRT	2	Oshkosh Defense
3	U1329A	BRKT,STDF,BRAKE WEAR	1	Oshkosh Defense

1-[2]



Table 49. BRAKE,NGDV,ESP-ABS,ICE,FWD

Item Number	Part Number	Description	Quantity	Primary Source
1	U3501A	MODULEASSY,ECU, HYD,ESP,NIF,5.3	1	Oshkosh Defense
2	U132NA	VALVE,ABS-TCS,12V	1	Oshkosh Defense

BRAKES, VACUUM, ICE



Table 50. BRAKES,VACUUM,ICE

Item Number	Part Number	Description	Quantity	Primary Source
1	U132BA	PUMP,DIAP SGL VACUUM,HELLA	1	Oshkosh Defense
2	U132FA	BRKT,VACUUM PUMP, HELLA	1	Oshkosh Defense
3	U132GA	HOSE,VAC,ICE 0.5 RB ASSY	1	Oshkosh Defense
4	U132HA	SENSOR,VACUUM	1	Oshkosh Defense
5	U132AA	STRAP,TIEDOWN, ELECTRICAL COMPONENTS	1	Oshkosh Defense
6	U132EA	NUT,SELF-LOCKING, HEXAGON,M6-1.0 C10 MB	4	Oshkosh Defense
7	U132CA	SCREW,CAP,HEXAGON HEAD M6-1.0X16 C10.9 MB	2	Oshkosh Defense
8	U132DA	SCREW,CAP,HEXAGON M6-1.0X45 C10.9 MB	2	Oshkosh Defense
9	U132JA	CLIP,OMEGA-DBL .31 .87 NY	1	Oshkosh Defense
10	U132KA	STRAP,TIEDOWN, ELECTRICAL COMPONENTS,7.31X.184	2	Oshkosh Defense

3-[4]



Table 51. BRAKES,VACUUM,BEV

Item Number	Part Number	Description	Quantity	Primary Source
1	U132BA	PUMP,DIAP SGL VACUUM,HELLA	1	Oshkosh Defense
2	U132LA	BRKT,BEV,HELLA PUMP	1	Oshkosh Defense
3	U132MA	HOSE ASSY,VAC,PUMP TO BOOST	1	Oshkosh Defense
4	U132HA	SENSOR,VACUUM	1	Oshkosh Defense
5	U132EA	NUT,SELF-LOCKING, EXTENDED WASHER,HEXAGON, M6-1.0 C10 MB	2	Oshkosh Defense
6	U132CA	SCREW,CAP,HEXAGON HEAD M6-1.0X16 C10.9 MB	2	Oshkosh Defense
7	U132DA	SCREW,CAP,HEXAGON M6-1.0X45 C10.9 MB	2	Oshkosh Defense
8	U132KA	STRAP,TIEDOWN, ELECTRICAL COMPONENTS,7.31X.184	2	Oshkosh Defense

1-[2]



Table 52. BRAKE,NGDV,ESP-ABS,BEV,AWD

Item Number	Part Number	Description	Quantity	Primary Source
1	U3504A	MODULE ASSY,ECU, HYD,ESP,NBA,5.3	1	Oshkosh Defense
2	U132NA	VALVE,ABS-TCS,12V	1	Oshkosh Defense

1-[2]



Table 53. BRAKE,NGDV,ESP-ABS,BEV,FWD

Item Number	Part Number	Description	Quantity	Primary Source
1	U3503A	MODULE ASSY,ECU, HYD,ESP,NBF,5.3	1	Oshkosh Defense
2	U132NA	VALVE,ABS-TCS,12V	1	Oshkosh Defense

1-[2]



Table 54. BRAKE,NGDV,ESP-ABS,ICE,AWD

Item Number	Part Number	Description	Quantity	Primary Source
1	U3502A	MODULE ASSY,ECU, HYD,ESP,NIA,5.3	1	Oshkosh Defense
2	U132NA	VALVE,ABS-TCS,12V	1	Oshkosh Defense



AIR CLEANER ASSEMBLY

1-[2-4]



Table 55. AIR CLEANER ASSEMBLY

Item Number	Part Number	Description	Quantity	Primary Source
1	U4100A	AIR CLEANER ASSY	1	Oshkosh Defense
2	U4101A	FILTER,ELEMENT,AIR CLEANER	1	Oshkosh Defense
3	U4102A	SENSOR,FLOW,AIR,MAS	1	Oshkosh Defense
4	U0202A	SCR,PAN,TRX M4-1.46X15.5 NS ST	2	Oshkosh Defense
5	U4104A	GAUGE,AIR RESTRICTION	1	Oshkosh Defense
6	U421TA	SCR,FLG,HEX,DGP M6X30 C8.8 MG	4	Oshkosh Defense
7	U4103A	WASH,FLT M6X24X1.6	4	Oshkosh Defense

PLUMBING,AIR INTAKE

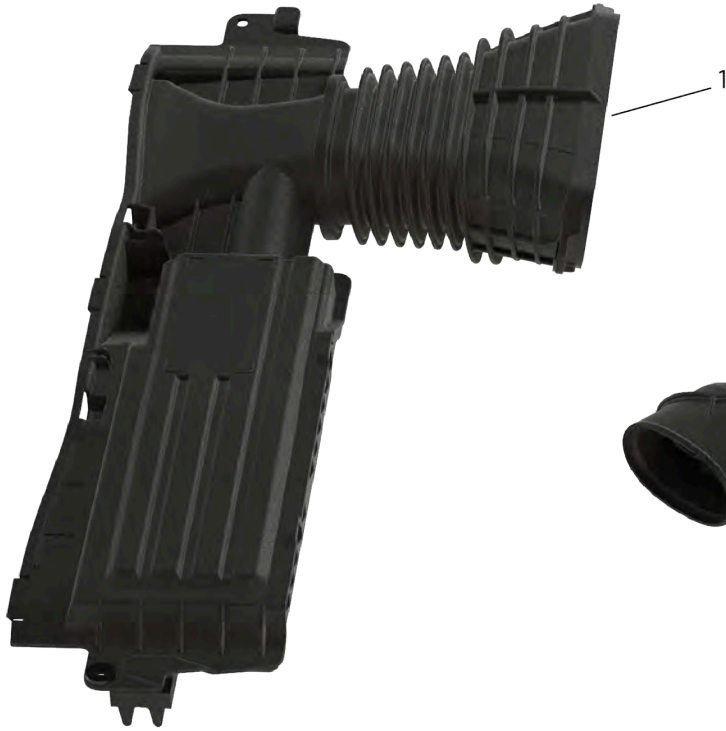


Table 56. PLUMBING,AIR INTAKE

Item Number	Part Number	Description	Quantity	Primary Source
1	U4107A	DUCT ASSY,AIR CLEANER INLET,PL	1	Oshkosh Defense
2	U4105A	TUBE ASSY,TURBO COMPR INLET,PL	1	Oshkosh Defense
3	U422VA	STUD,UEQL M6X14 M6X12 C10.9	2	Oshkosh Defense
4	U421TA	SCR,FLG,HEX,DGP M6X30 C8.8 MG	1	Oshkosh Defense
5	U4108A	SCR,WASH,HEX, TF M6X20 MG	2	Oshkosh Defense
6	U4106A	PUSHPIN,ARW 6X17X16 PL	2	Oshkosh Defense
7	U422UA	NUT,FLG,LK M6 C8.8	2	Oshkosh Defense

CAMSHAFT

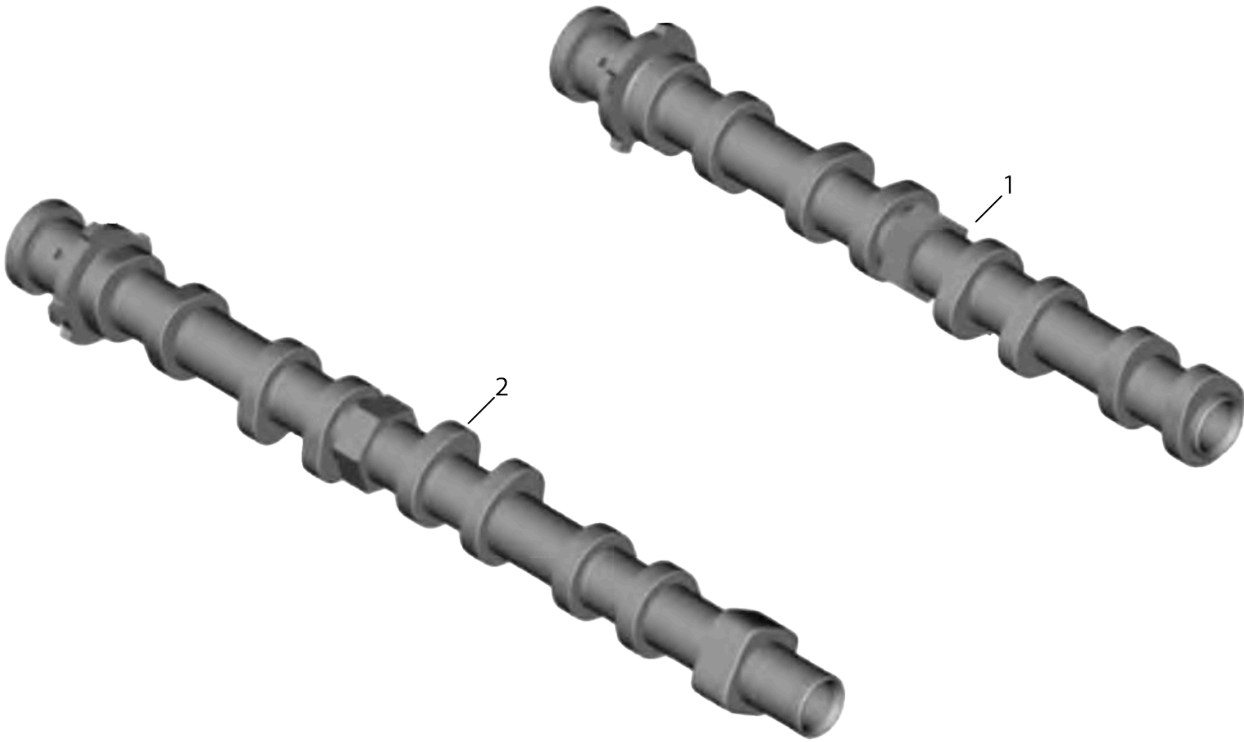


Table 57. CAMSHAFT

Item Number	Part Number	Description	Quantity	Primary Source
1	U4529A	CAMSHAFT,INTAKE, ENGINE	1	Oshkosh Defense
2	U452AA	CAMSHAFT,EXHAUST, ENGINE	1	Oshkosh Defense

CRANKSHAFT

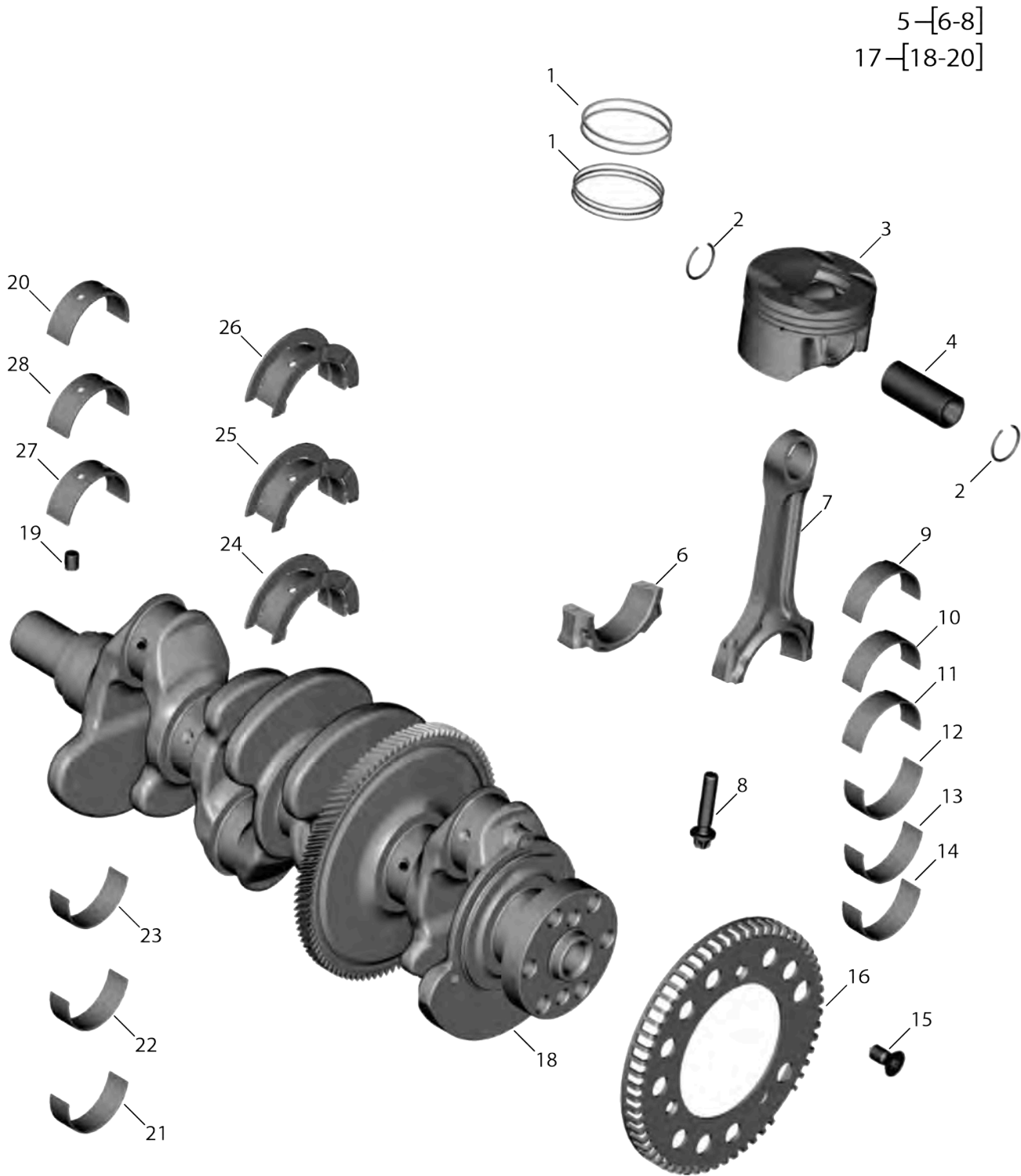
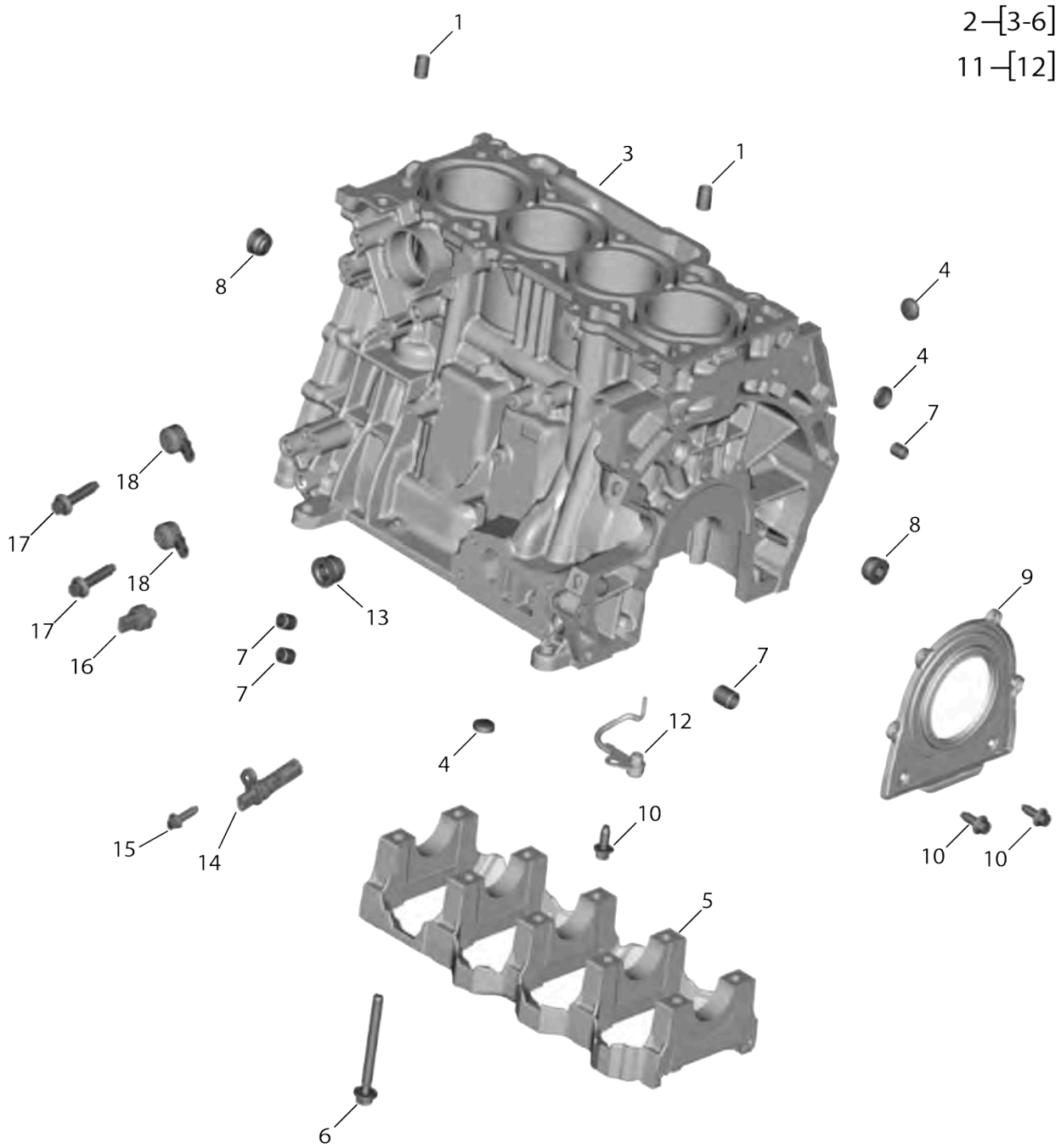


Table 58. CRANKSHAFT

Item Number	Part Number	Description	Quantity	Primary Source
1	U450XA	RING KIT,PSTN,ENG, FORD,2.0L	4	Oshkosh Defense
2	U450ZA	RTNR,PIN,PSTN,ENG	8	Oshkosh Defense
3	U450WA	PSTN,ENG,FORD,2.0L	4	Oshkosh Defense
4	U450YA	PIN,PSTN,ENG	4	Oshkosh Defense
5	U450NA	CON ROD ASSY,ENGINE	4	Oshkosh Defense
6	P2GZ-6200-A002	BRG,CAP,CON ROD, ENG,FORD,2.0L,NOT PROCURABLE, MUST PURCHASE P2GZ-6200-A	1	Oshkosh Defense
7	P2GZ-6200-A001	CON ROD,ENG,FORD, 2.0L,NOT PROCURABLE,MUST PURCHASE P2GZ-6200-A	1	Oshkosh Defense
8	U450PA	SCR,CON ROD,ENG, FORD,2.0L	2	Oshkosh Defense
9	U450QA	BRG,CON ROD,UPPER, GR1,GRN	4	Oshkosh Defense
10	U450RA	BRG,CON ROD,UPPER, GR2,BLU	4	Oshkosh Defense
11	U450SA	BRG,CON ROD,UPPER, GR3,RED	4	Oshkosh Defense
12	U450TA	BRG,CON ROD,LOWER, GR1,GRN	4	Oshkosh Defense
13	U450UA	BRG,CON ROD,LOWER, GR2,BLU	4	Oshkosh Defense
14	U450VA	BRG,CON ROD,LOWER, GR3,RED	4	Oshkosh Defense
15	U4511A	SCR,FLT,TRX,NY M6X12 C8.8	3	Oshkosh Defense
16	U4510A	RING,CSHAFT TIMING	1	Oshkosh Defense
17	U450BA	CSHAFT ASSY,ENGINE	1	Oshkosh Defense
18	P2GZ-6303-A001	CSHAFT,ENG,FORD, 2.0L,NOT PROCURABLE,MUST PURCHASE P2GZ-6303-A	1	Oshkosh Defense
19	U450CA	PIN,DWL,CSHAFT 5.83X6.95	1	Oshkosh Defense
20	U450DA	BRG,CSHAFT,MAIN, UPPER,GR1,GRN	4	Oshkosh Defense
21	U450JA	BRG,CSHAFT,MAIN, LOWER,GR3,RED	5	Oshkosh Defense
22	U450HA	BRG,CSHAFT,MAIN, LOWER,GR2,BLU	5	Oshkosh Defense
23	U450GA	BRG,CSHAFT,MAIN, LOWER,GR1,GRN	5	Oshkosh Defense
24	U450MA	BRG,CSHAFT,MAIN, THRUST	1	Oshkosh Defense
25	U450LA	BRG,CSHAFT,MAIN, THRUST	1	Oshkosh Defense
26	U450KA	BRG,CSHAFT,MAIN, THRUST	1	Oshkosh Defense
27	U450FA	BRG,CSHAFT,MAIN, UPPER,GR3,RED	4	Oshkosh Defense
28	U450EA	BRG,CSHAFT,MAIN, UPPER,GR2,BLU	4	Oshkosh Defense

CYLINDER BLOCKS AND PLUGS



2-[3-6]
11-[12]

Table 59. CYLINDER BLOCKS AND PLUGS

Item Number	Part Number	Description	Quantity	Primary Source
1	U451NA	PIN,SPR 14X21	2	Oshkosh Defense
2	U4505A	ENG BLK ASSY,ENG, FORD,2.0L	1	Oshkosh Defense
3	P2GZ-6010-B001	ENG BLK,ENG,FORD, 2.0L,NOT PROCURABLE,MUST PURCHASE P2GZ-6010-B	1	Oshkosh Defense
4	U4507A	FTG,PLUG,ENG BLK 22MM	3	Oshkosh Defense
5	P2GZ-6010-B002	BRG,CSHAFT,MAIN SUPPORT,NOT PROCURABLE,MUST PURCHASE P2GZ-6010-B	1	Oshkosh Defense
6	U4506A	SCR,CSHAFT,BRG,MAIN SUPPORT	10	Oshkosh Defense
7	U455YA	PIN,DOWEL	4	Oshkosh Defense
8	U4508A	FTG,PLUG M24X1.5 M INHEX	2	Oshkosh Defense
9	U451EA	SEAL,CSHAFT,OIL,RR	1	Oshkosh Defense
10	U450AA	SCR,FLG,HEX M6X14 C8.8	10	Oshkosh Defense
11	U4509A	VLV ASSY,OIL COOLER,ENG PSTN	4	Oshkosh Defense
12	P2GZ-6K868-A001	VLV,OIL,PISTON COOLING,NOT PROCURABLE,MUST PURCHASE P2GZ-6K868-A	1	Oshkosh Defense
13	U454YA	FTG,PLUG M27X2 M INHEX	1	Oshkosh Defense
14	U4530A	SENSOR,CSHAFT POS, ENGINE	1	Oshkosh Defense
15	U4531A	SCR,FLG,HEX M6X20 C8.8	1	Oshkosh Defense
16	U454ZA	SENSOR,PRESSURE, OIL,SENDER	1	Oshkosh Defense
17	U454XA	SCR,FLG,HEX M8X35 C8.8	2	Oshkosh Defense
18	U454WA	SENSOR,ENG KNOCK, FORD,2.0L	2	Oshkosh Defense

CYLINDER HEAD

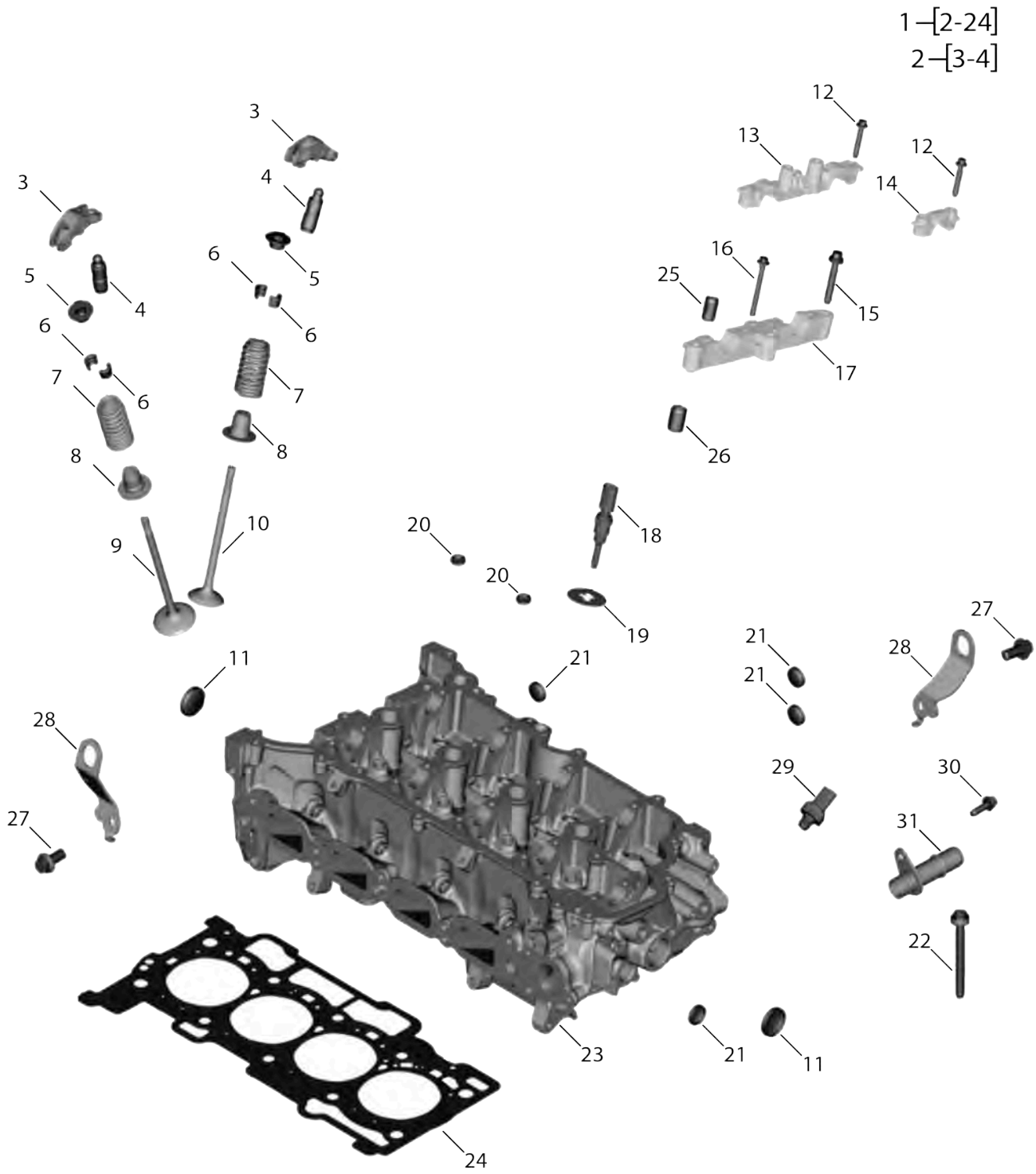


Table 60. CYLINDER HEAD

Item Number	Part Number	Description	Quantity	Primary Source
1	U451PA	CYL HEAD ASSY,ENG	1	Oshkosh Defense
2	U4523A	ROCKER ARM ASSY, VALVE,INTK-EXH	16	Oshkosh Defense
3	U4524A	ROCKER ARM,VALVE, INTK-EXH	1	Oshkosh Defense
4	U4525A	TAPPET ASSY,VALVE, INTK-EXH	1	Oshkosh Defense
5	U4522A	RETAINER,SPRING, VALVE,INTK-EXH	16	Oshkosh Defense
6	U4521A	COLLET,SPRING, VALVE,INTK-EXH	32	Oshkosh Defense
7	U4520A	SPRING,VALVE, INTK-EXH	16	Oshkosh Defense
8	U451ZA	SEAL,VALVE STEM,CYL HEAD	16	Oshkosh Defense
9	U451YA	VALVE,INTAKE,CYL HEAD	8	Oshkosh Defense
10	U451XA	VALVE,EXHAUST,CYL HEAD	8	Oshkosh Defense
11	U4526A	PLUG,CYL HEAD,EXP CUP M32 SS	2	Oshkosh Defense
12	U451SA	SCR,FLG,HEX M6X38 C8.8	20	Oshkosh Defense
13	P2GZ-6049-B002	BRG CAP,CAMSHAFT,RR NOT PROCURABLE,MUST PURCHASE P2GZ-6049-B	9	Oshkosh Defense
14	P2GZ-6049-B003	BRG CAP,CAMSHAFT, MID,NOT PROCURABLE,MUST PURCHASE P2GZ-6049-B	1	Oshkosh Defense
15	U451TA	SCR,WASH,HEX M8X54.5 C8.8	3	Oshkosh Defense
16	U451UA	SCR,FLG,HEX M6X67.5 C8.8	1	Oshkosh Defense
17	P2GZ-6049-B004	BRG CAP,CAMSHAFT,FR NOT PROCURABLE,MUST PURCHASE P2GZ-6049-B	1	Oshkosh Defense
18	U451VA	SENSOR ASSY,TEMP, CYL HEAD	1	Oshkosh Defense
19	U451WA	SHIELD,HEAT,TEMP SENSOR	1	Oshkosh Defense
20	U4528A	PLUG,CYL HEAD,EXP CUP M16 SS	3	Oshkosh Defense
21	U4527A	PLUG,CYL HEAD,EXP CUP M22 SS	4	Oshkosh Defense
22	U451RA	SCR,CYL HEAD,ENG, FORD,2.0L	10	Oshkosh Defense
23	P2GZ-6049-B001	CYL HEAD,ENG,FORD, 2.0L,NOT PROCURABLE,MUST PURCHASE P2GZ-6049-B	1	Oshkosh Defense
24	U451QA	GSKT,CYL HEAD,ENG, FORD,2.0L	1	Oshkosh Defense
25	U455ZA	BSHG,SLV 8X13.75 ST	2	Oshkosh Defense
26	U4560A	BSHG,SLV 10X13.75 S	2	Oshkosh Defense
27	U4562A	SCR,FLG,HEX M10X25 C8.8	2	Oshkosh Defense
28	U4561A	BRKT,LIFT EYE,ENG	2	Oshkosh Defense
29	U4563A	SENSOR,BK PRESS, EXHAUST	1	Oshkosh Defense
30	U455AA	SCR,WASH,HEX M6X22 C8.8	1	Oshkosh Defense
31	U4559A	TUBE,WATER,HEATER, INLET	1	Oshkosh Defense

CYLINDER HEAD COVER

2-[3-4]
7-[8-17]

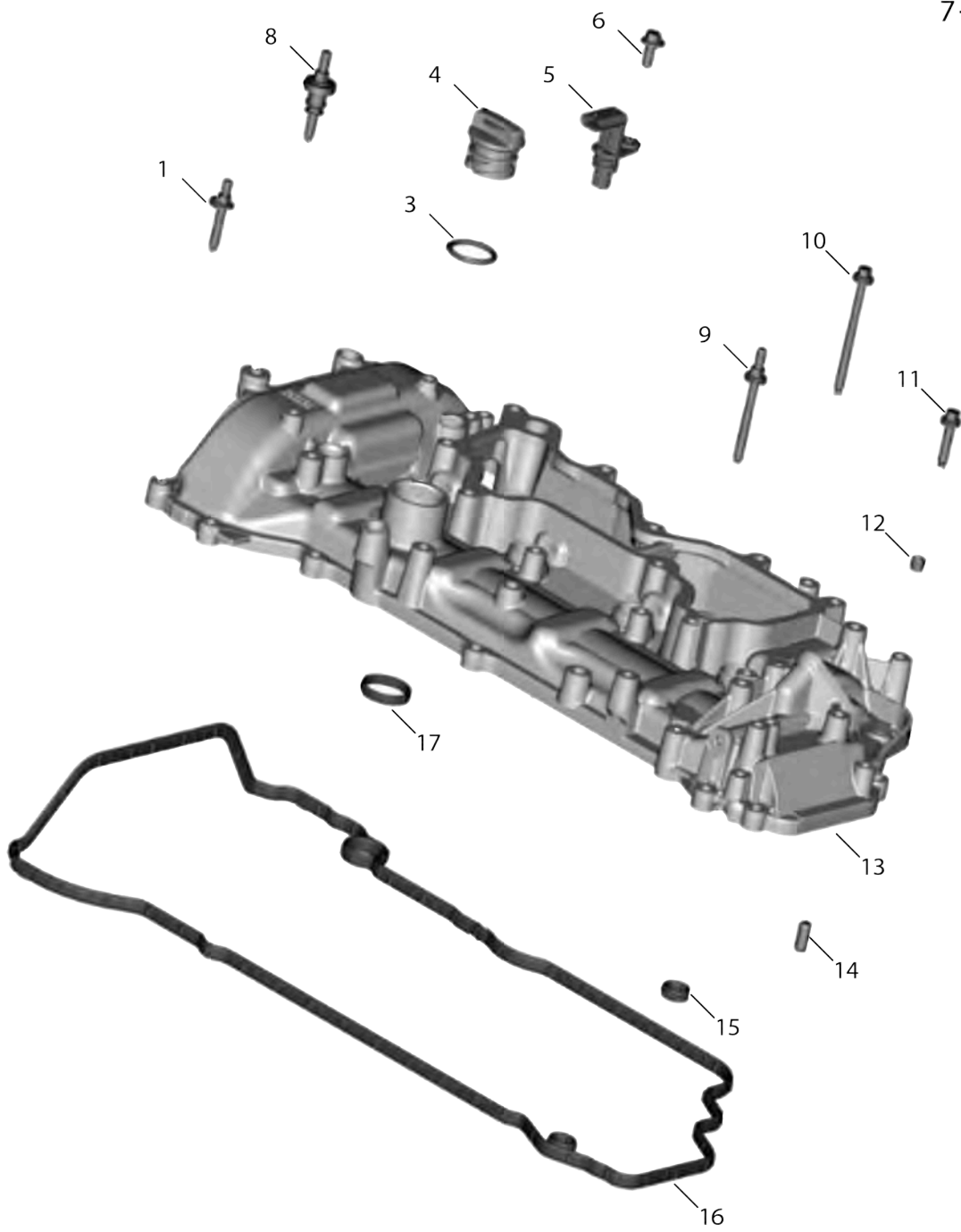


Table 61. CYLINDER HEAD COVER

Item Number	Part Number	Description	Quantity	Primary Source
1	U453WA	STUD,FLG,HEX M6X30-M6X10 C8.8	8	Oshkosh Defense
2	U453UA	CAP ASSY,ENG,OIL FILL,5W30	1	Oshkosh Defense
3	U453VA	GSKT,CAP,ENG,OIL FILL	1	Oshkosh Defense
4	F2GZ-6766-A001	CAP,ENG,OIL FILL, 5W30,NOT PROCURABLE,MUST PURCHASE F2GZ-6766-A	1	Oshkosh Defense
5	U455XA	SENSOR,CAMSHAFT	2	Oshkosh Defense
6	U455WA	SCR,FLG,HEX M6X16	1	Oshkosh Defense
7	U453KA	CVR ASSY,CYL HEAD, ENGINE	1	Oshkosh Defense
8	U453TA	GROM,ISO,CVR,VLV, RKR ARM	2	Oshkosh Defense
9	U453SA	STUD,WASH,HEX M6X57.5-M6X13 C8	1	Oshkosh Defense
10	U453RA	SCR,WASH,HEX M6X81.5 C8.8	1	Oshkosh Defense
11	U453QA	SCR,WASH,HEX M6X30 C8.8	5	Oshkosh Defense
12	U451CA	RETAINER M6X7.25	7	Oshkosh Defense
13	P2GZ-6582-A001	CVR,CYL HEAD,ENG, FORD,NOT PROCURABLE,MUST PURCHASE P2GZ-6582-A	1	Oshkosh Defense
14	U453PA	PIN,DWL,CVR,CYL HD 8X18.25 HDN	2	Oshkosh Defense
15	U453NA	GSKT,CVR,CYL HEAD, ENGINE	1	Oshkosh Defense
16	U453LA	GSKT,CVR,CYL HEAD, ENGINE	1	Oshkosh Defense
17	U453MA	GSKT,CVR,CYL HEAD, ENGINE	4	Oshkosh Defense

EMISSION CONTROL

4-[5-6]

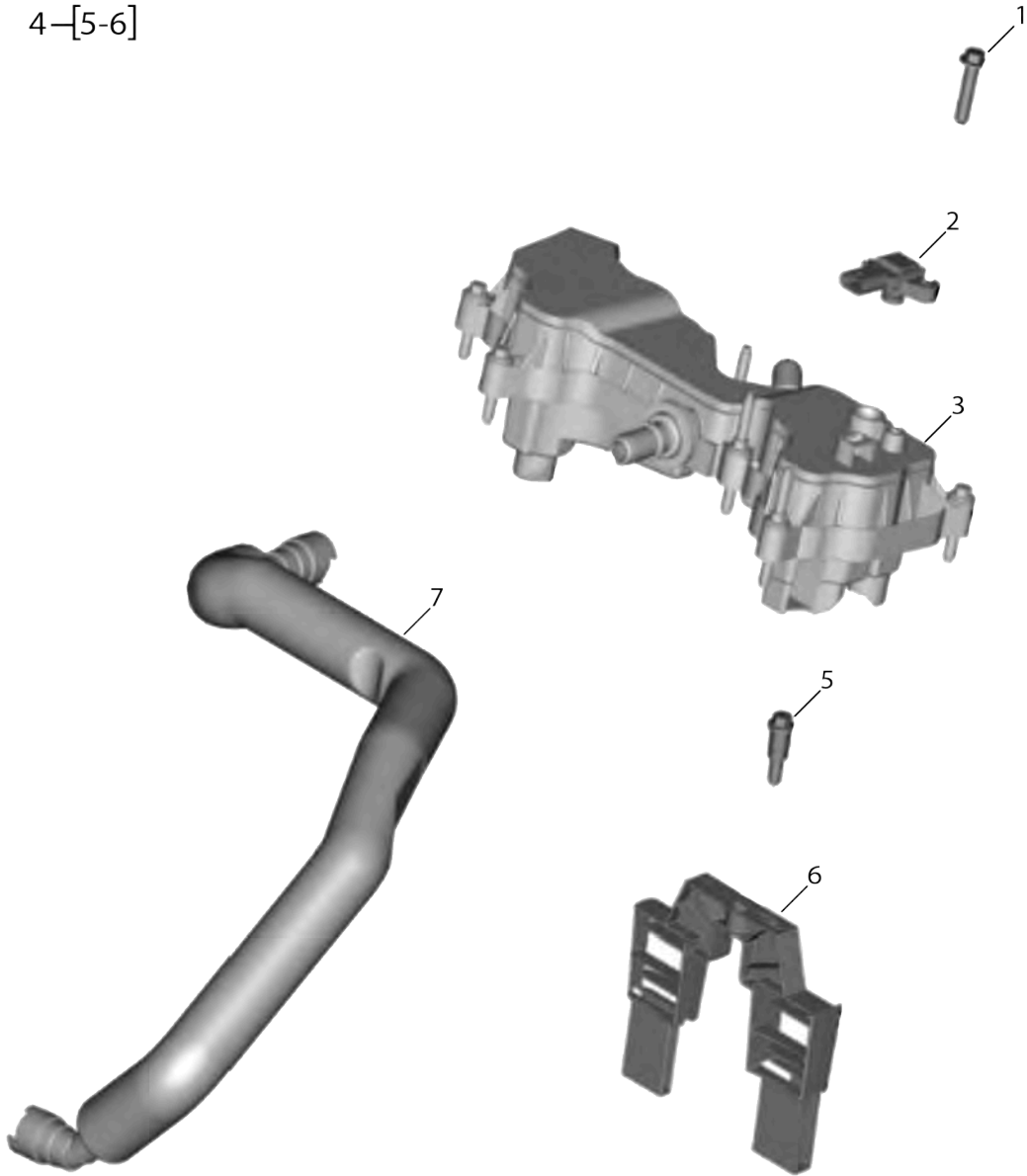


Table 62. EMISSION CONTROL

Item Number	Part Number	Description	Quantity	Primary Source
1	U4557A	SCR,CAP,HEX M6X30	1	Oshkosh Defense
2	U4556A	SENSOR,CRKC,VENT, OIL	1	Oshkosh Defense
3	U4558A	SEPARATOR ASSY, CRKC,VENT,OIL	1	Oshkosh Defense
4	U4553A	BAFFLE ASSY,OIL, PCV,ENG	1	Oshkosh Defense
5	U4554A	SCR,BSHG,BAFFLE, OIL,PCV	1	Oshkosh Defense
6	PB5Z-6687-A001	BAFFLE,OIL,PCV,ENG, FORD,NOT PROCURABLE,MUST PURCHASE PB5Z-6687-A	1	Oshkosh Defense
7	U4555A	HOSE,VENT,CRKC-INTK MANF	1	Oshkosh Defense

ENGINE ASSEMBLY

4-[5]

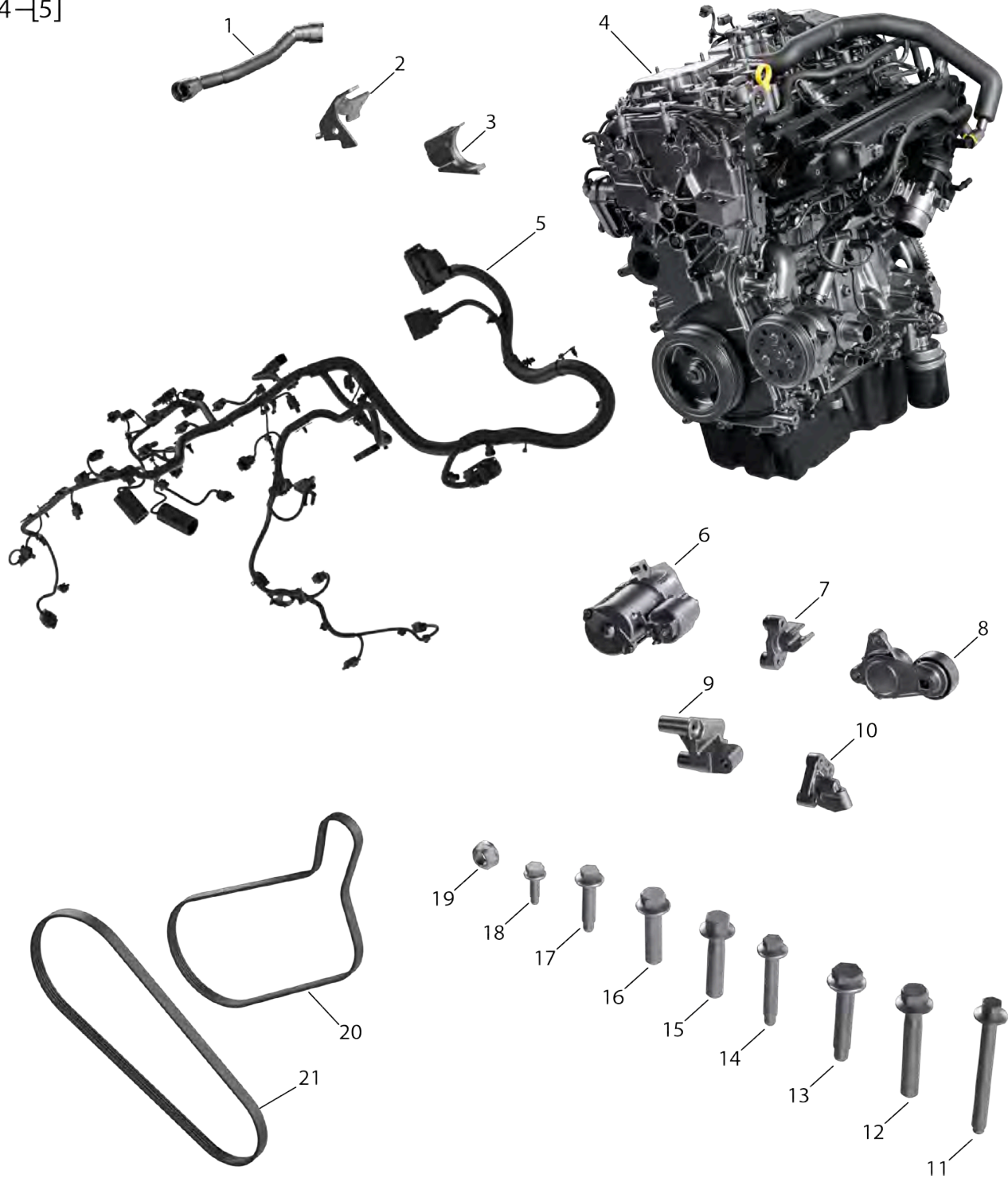


Table 63. ENGINE ASSEMBLY

Item Number	Part Number	Description	Quantity	Primary Source
1	U4503A	TUBE ASSY,CRKC VENTILATION	1	Oshkosh Defense
2	U456DA	BRACKET,VEHICULAR COMPONENTS,FUEL PUMP SHIELD	1	Oshkosh Defense
3	U3200A	SEAL,STARTER	1	Oshkosh Defense
4	U4504A	ENG,FORD,2.0L,250, TI-VCT GTDI	1	Oshkosh Defense
5	U4566A	WIRE HARN,ENG,MAIN	1	Oshkosh Defense
6	U3201A	STARTER,ENGINE, ELECTRICAL, 12V	1	Oshkosh Defense
7	U456AA	BRKT,FRT,ACC DRV,CS COMPONENTS	1	Oshkosh Defense
8	U4567A	TENSIONER PULLEY ASSEMBLY,4FLT,CW,INLINE	1	Oshkosh Defense
9	U456BA	BRACKET,VEHICULAR COMPONENTS	1	Oshkosh Defense
10	U456CA	BRACKET,VEHICULAR COMPONENTS	1	Oshkosh Defense
11	U456JA	BOLT,MACHINE M8X73 C8.8 SPL	3	Oshkosh Defense
12	U456FA	BOLT,MACHINE M10X60 C8.8 SPL	2	Oshkosh Defense
13	U4502A	BOLT,MACHINE M10X50 C10.9MG	2	Oshkosh Defense
14	U4501A	BOLT,MACHINE M8X50 C8.8 MG	5	Oshkosh Defense
15	U456EA	BOLT,MACHINE M10X45 C8.8 SPL	2	Oshkosh Defense
16	U456HA	BOLT,MACHINE M10X40 C8.8 SPL	2	Oshkosh Defense
17	U4500A	BOLT,MACHINE M8X35 C8.8 MG	2	Oshkosh Defense
18	U5200A	SCR,FLG,HEX,DGP M6X20 C8.8 MG	2	Oshkosh Defense
19	U456GA	NUT,SELF-LOCKING, EXTENDED WASHER,HEXAGON, M10X1.0 C10.9	4	Oshkosh Defense
20	U4568A	BELT,V 4KX1035MM,POLY	1	Oshkosh Defense
21	U4569A	BELT,POLY-V 4KX909MM,POLY	1	Oshkosh Defense

ENGINE IGNITION

2-[3-4]

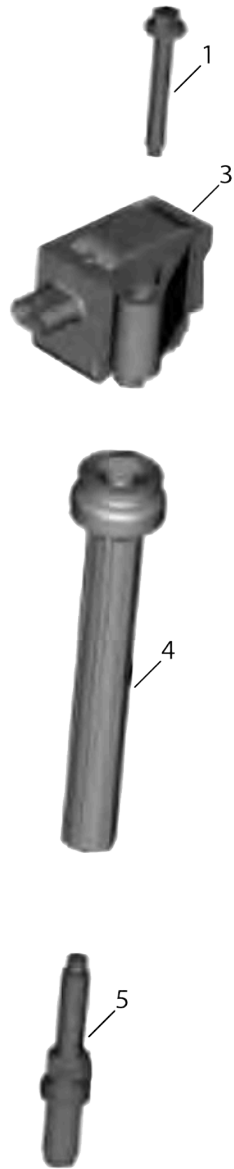
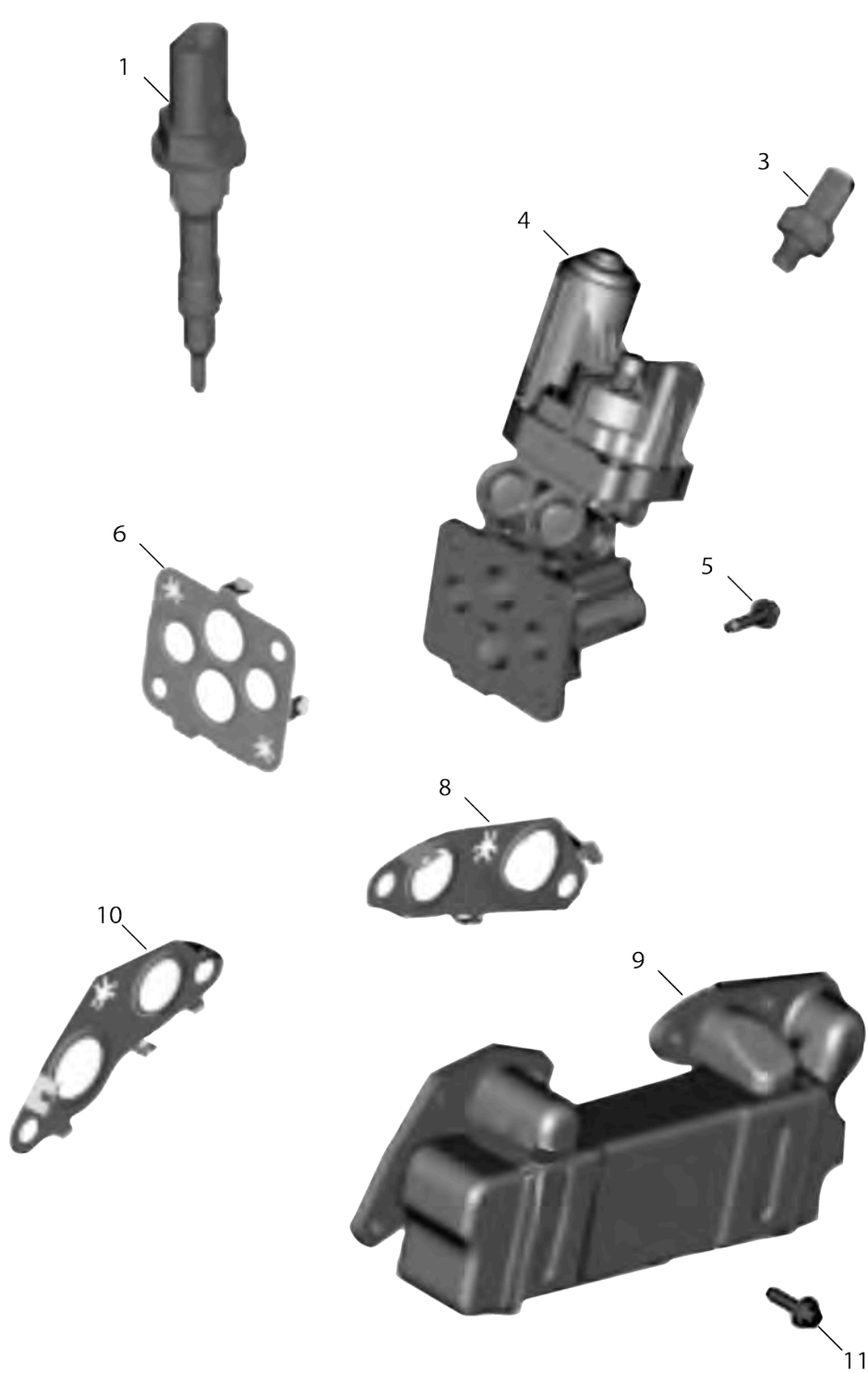


Table 64. ENGINE IGNITION

Item Number	Part Number	Description	Quantity	Primary Source
1	U452EA	SCR,CAP,HEX M6X45 C8.8	4	Oshkosh Defense
2	U452BA	COIL ASSY,IGN,ENG, FORD,2.0L	4	Oshkosh Defense
3	P2GZ-12029-A001	COIL ASSY,IGN,ENG, FORD,2.0L,NOT PROCURABLE, MUST PURCHASE P2GZ-12029-A	1	Oshkosh Defense
4	U452CA	BOOT,SPARK PLUG,ENG	1	Oshkosh Defense
5	U452DA	SPARKPLUG,ENG,FORD, 2.0L	4	Oshkosh Defense

EXHAUST GAS RECIRCULATION



2-[3-6]
7-[8-11]

Table 65. EXHAUST GAS RECIRCULATION

Item Number	Part Number	Description	Quantity	Primary Source
1	U455TA	SENSOR,COOL TEMP, EGR,ENG,FORD	1	Oshkosh Defense
2	U455QA	VLV ASSY,EGR,ENG, FORD,2.0L	1	Oshkosh Defense
3	U455SA	SENSOR,PRESS,VLV, EGR	1	Oshkosh Defense
4	P2GZ-9D475-A001	VLV,EGR,ENG,FORD, 2.0L,NOT PROCURABLE,MUST PURCHASE P2GZ-9D475-A	1	Oshkosh Defense
5	U455AA	SCR,WASH,HEX M6X22 C8.8	4	Oshkosh Defense
6	U455RA	GSKT,VLV,EGR,ENG, FORD,2.0L	1	Oshkosh Defense
7	U455MA	COOLING ASSY,EGR, ENG,FORD,2.0L	1	Oshkosh Defense
8	U455NA	GSKT,COOLING,EGR, INLET	1	Oshkosh Defense
9	P2GZ-9F464-A001	COOLING,EGR,ENG, FORD 2.0L,NOT PROCURABLE, MUST PURCHASE P2GZ-9F464-A	1	Oshkosh Defense
10	U455PA	GSKT,COOLING,EGR, OUTLET	1	Oshkosh Defense
11	U455AA	SCR,WASH,HEX M6X22 C8.8	6	Oshkosh Defense

FLYWHEEL



Table 66. FLYWHEEL

Item Number	Part Number	Description	Quantity	Primary Source
1	U4532A	FLYWHEEL,ENG,FORD, 2.0L	1	Oshkosh Defense
2	U4533A	SCR,FLG,HEX M12-1.00X19	6	Oshkosh Defense

FUEL INJECTION PUMP

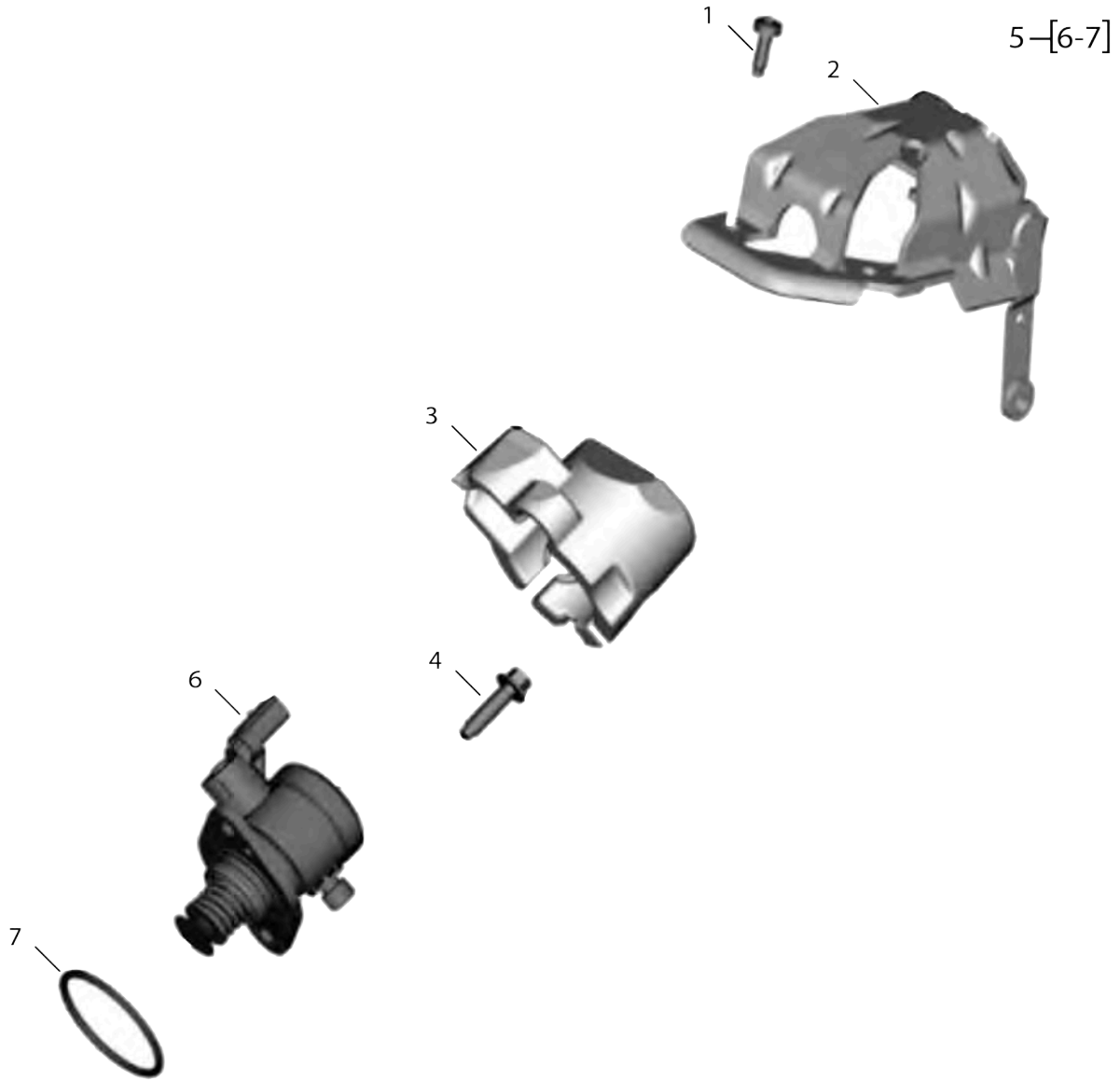


Table 67. FUEL INJECTION PUMP

Item Number	Part Number	Description	Quantity	Primary Source
1	U453AA	SCR,SHIELD,FUEL PUMP M6X20	4	Oshkosh Defense
2	U4539A	HEAT SHIELD,FUEL PUMP,HI PRESS	1	Oshkosh Defense
3	U4538A	CVR,FUEL PUMP,HI PRESS	1	Oshkosh Defense
4	U451MA	SCR,FLG,HEX M8X28 C8.8	2	Oshkosh Defense
5	U4536A	PUMP ASSY,FUEL,HI PRESS	1	Oshkosh Defense
6	P2GZ-9350-A001	PUMP,FUEL,HI PRESS NOT PROCURABLE,MUST PURCHASE P2GZ-9350-A	1	Oshkosh Defense
7	U4537A	SEAL,PUMP,FUEL,HI PRESS	1	Oshkosh Defense

FUEL INJECTORS

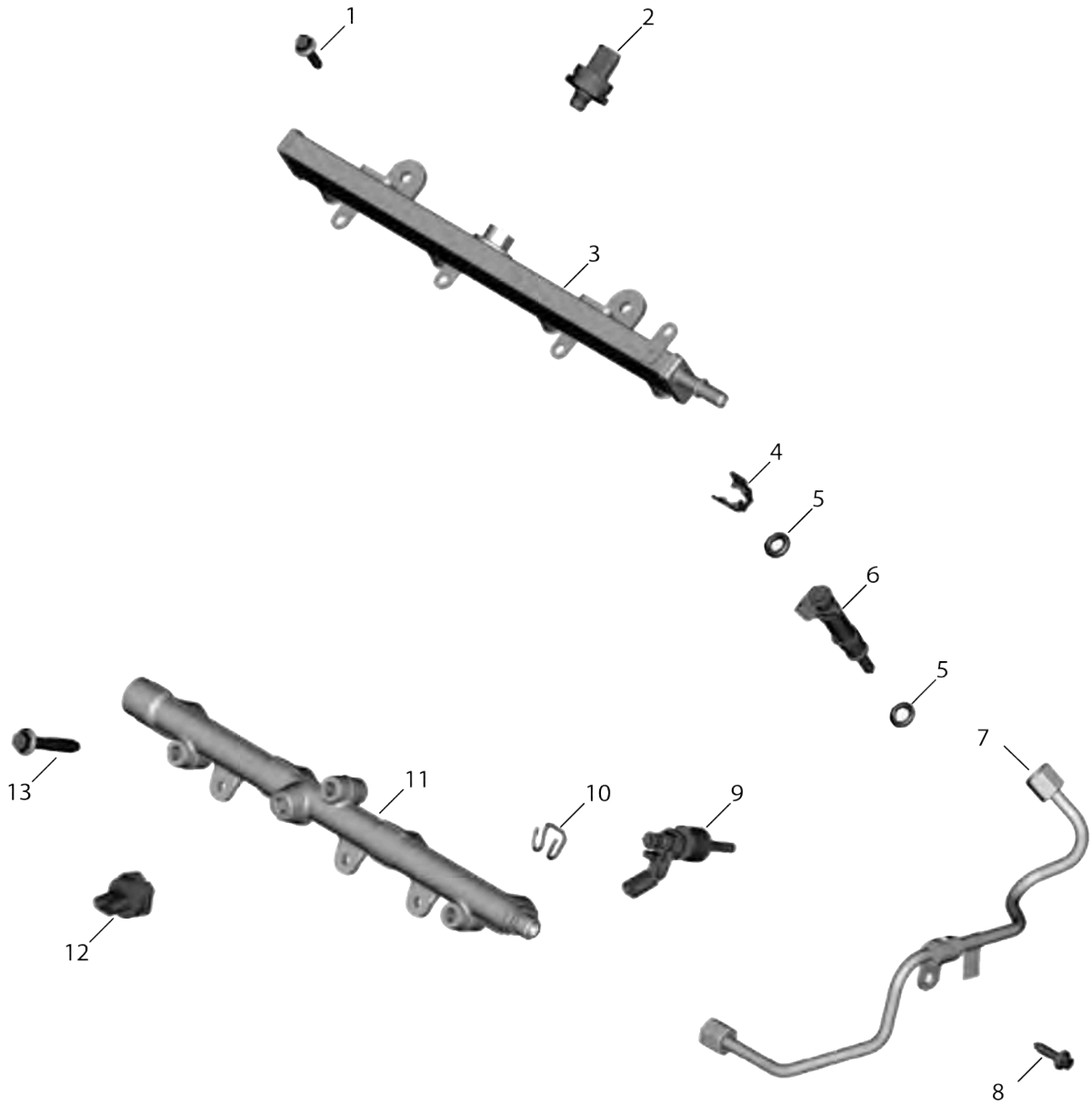


Table 68. FUEL INJECTORS

Item Number	Part Number	Description	Quantity	Primary Source
1	U4519A	SCR,FLG,HEX M6X21.5 C8.8	2	Oshkosh Defense
2	U453DA	SENSOR,PRESSURE FUEL INJECTOR	1	Oshkosh Defense
3	U453EA	MANIFOLD,FUEL SUPPLY,UPPER	1	Oshkosh Defense
4	U453CA	RTNR,FUEL INJ,ENG, FORD,2.0L	4	Oshkosh Defense
5	FOPZ-9229-A	ORING KIT,INJECTOR, FUEL	1	Oshkosh Defense
6	U453BA	PFI INJECTORS	4	Oshkosh Defense
7	U4552A	TUBE ASSY,FUEL PMP-FUEL RAIL	1	Oshkosh Defense
8	U4531A	SCR,FLG,HEX M6X20 C8.8	1	Oshkosh Defense
9	U453FA	INJECTOR,FUEL,ENG, FORD,2.0L	4	Oshkosh Defense
10	P2GZ-9229-A	ORING-CLIP KIT, INJECTOR,FUEL	1	Oshkosh Defense
11	U453HA	MANIFOLD,FUEL SUPPLY,LOWER	1	Oshkosh Defense
12	U453GA	SENSOR,PRESSURE, FUEL INJECTOR	1	Oshkosh Defense
13	U453JA	SCR,FLG,HEX M8X50 C8.8	3	Oshkosh Defense

INTAKE MANIFOLD

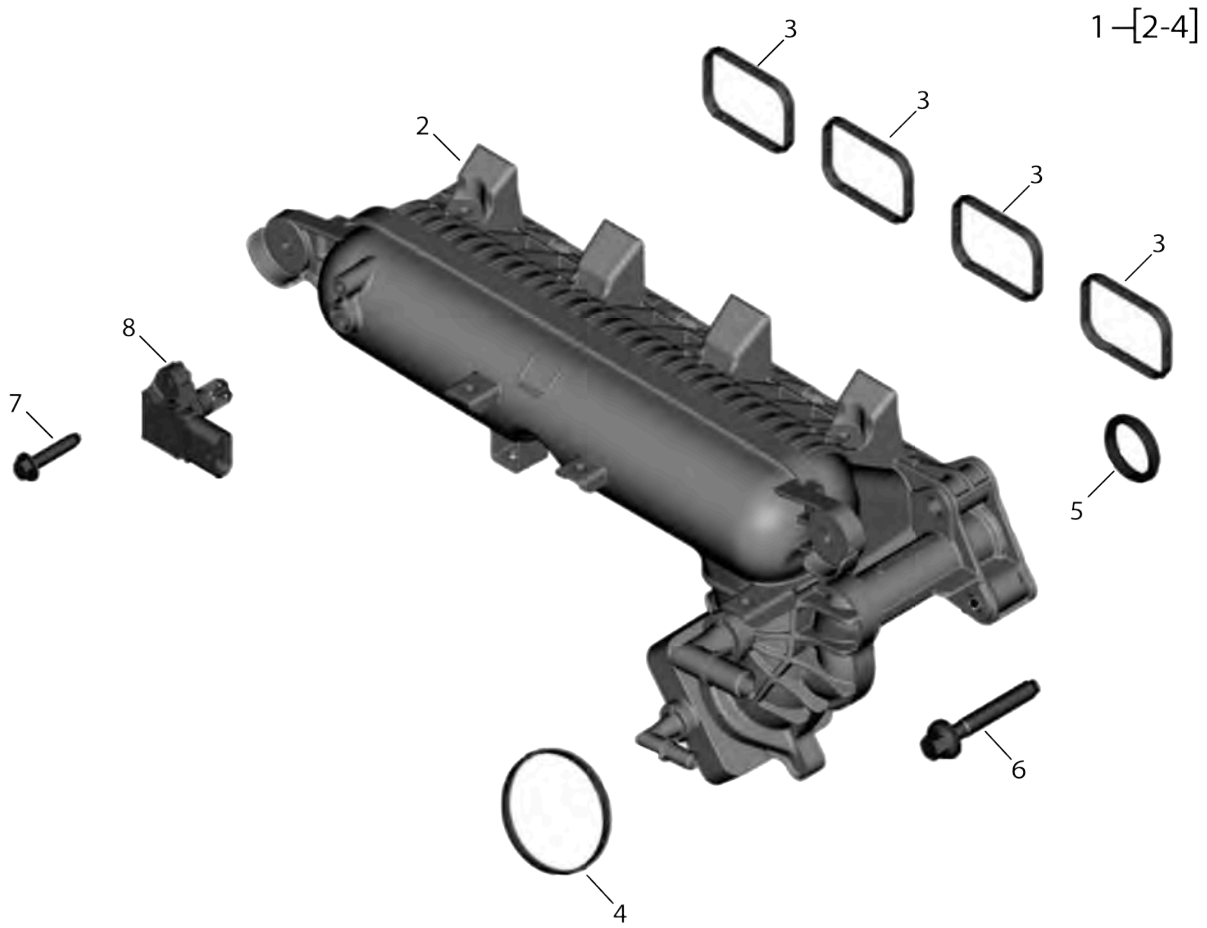


Table 69. INTAKE MANIFOLD

Item Number	Part Number	Description	Quantity	Primary Source
1	U455GA	MANF ASSY,INTK,ENG, FORD,2.0L	1	Oshkosh Defense
2	P2GZ-9424-A001	MANF,INTK,ENG,FORD, 2.0L,NOT PROCURABLE,MUST PURCHASE P2GZ-9424-A	1	Oshkosh Defense
3	U455HA	GSKT,MANF,INTK,ENG, FORD,2.0L	4	Oshkosh Defense
4	U455JA	GSKT,MANF,INTK, THROTTLE BODY	1	Oshkosh Defense
5	P2GZ-9H486-A	GASKET	1	Oshkosh Defense
6	U455KA	SCR,WASH,HEX M8X54.5 C8.8	6	Oshkosh Defense
7	U4557A	SCR,CAP,HEX M6X30	1	Oshkosh Defense
8	U4564A	SENSOR ASSY	1	Oshkosh Defense

OIL PAN

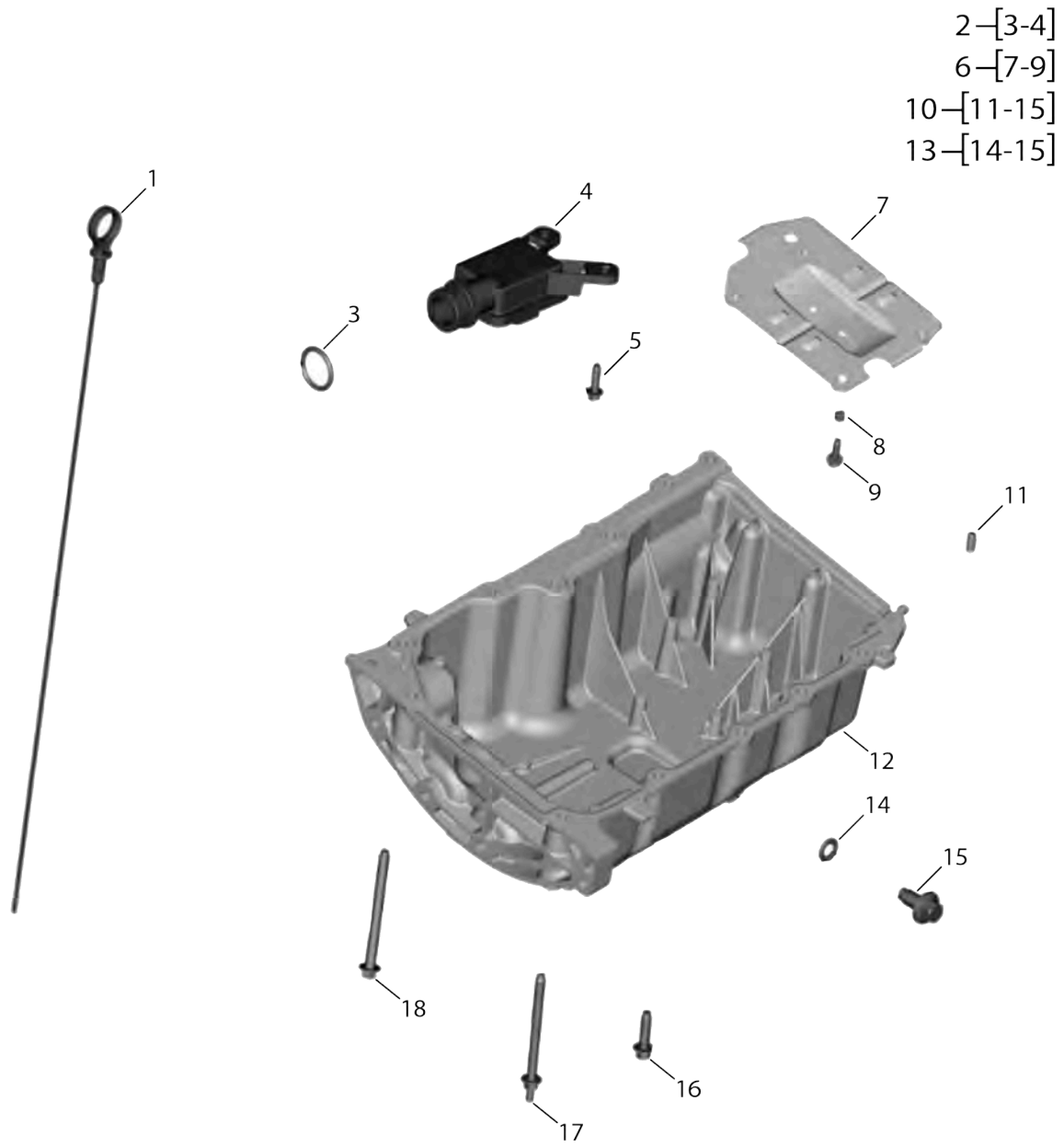


Table 70. OIL PAN

Item Number	Part Number	Description	Quantity	Primary Source
1	U451DA	ODPSK,ENG,FORD,2.0L	1	Oshkosh Defense
2	U4517A	PMP ASSY,OIL,INLET, ENG,FORD	1	Oshkosh Defense
3	U4518A	GSKT,OIL,PMP,INLET	1	Oshkosh Defense
4	P2GZ-6622-B001	PMP,OIL,INLET,ENG, FORD,NOT PROCURABLE,MUST PURCHASE P2GZ-6622-B	1	Oshkosh Defense
5	U4519A	SCR,FLG,HEX M6X21.5 C8.8	2	Oshkosh Defense
6	U451AA	BAFFLE ASSY,OIL, CSHAFT,WNDG	1	Oshkosh Defense
7	P2GZ-6687-A001	BAFFLE,OIL,CSHAFT, WNDG,NOT PROCURABLE,MUST PURCHASE P2GZ-6687-A	1	Oshkosh Defense
8	U451CA	RETAINER M6X7.25	4	Oshkosh Defense
9	U451BA	SCR,WASH,HEX M6X22 C8.8	4	Oshkosh Defense
10	U451FA	PAN ASSY,OIL,ENGINE	1	Oshkosh Defense
11	U451JA	PIN,DWL 6X14	2	Oshkosh Defense
12	P2GZ-6675-A001	PAN,OIL,ENG,FORD, 2.0L,NOT PROCURABLE,MUST PURCHASE P2GZ-6675-A	1	Oshkosh Defense
13	U451GA	PLUG ASSY,OIL DRAIN,PAN M12	1	Oshkosh Defense
14	U451HA	ORING,PLUG,OIL DRAIN,ENG,FORD	1	Oshkosh Defense
15	EJ7Z-6730-B001	PLUG,OIL DRAIN,PAN M12,NOT PROCURABLE,MUST PURCHASE EJ7Z-6730-B	1	Oshkosh Defense
16	U451MA	SCR,FLG,HEX M8X28 C8.8	11	Oshkosh Defense
17	U451KA	STUD,FLG,HEX M8X92.5-M6X12 C8	2	Oshkosh Defense
18	U451LA	SCR,FLG,HEX M8X92.5 C8.8	1	Oshkosh Defense

OIL PUMP

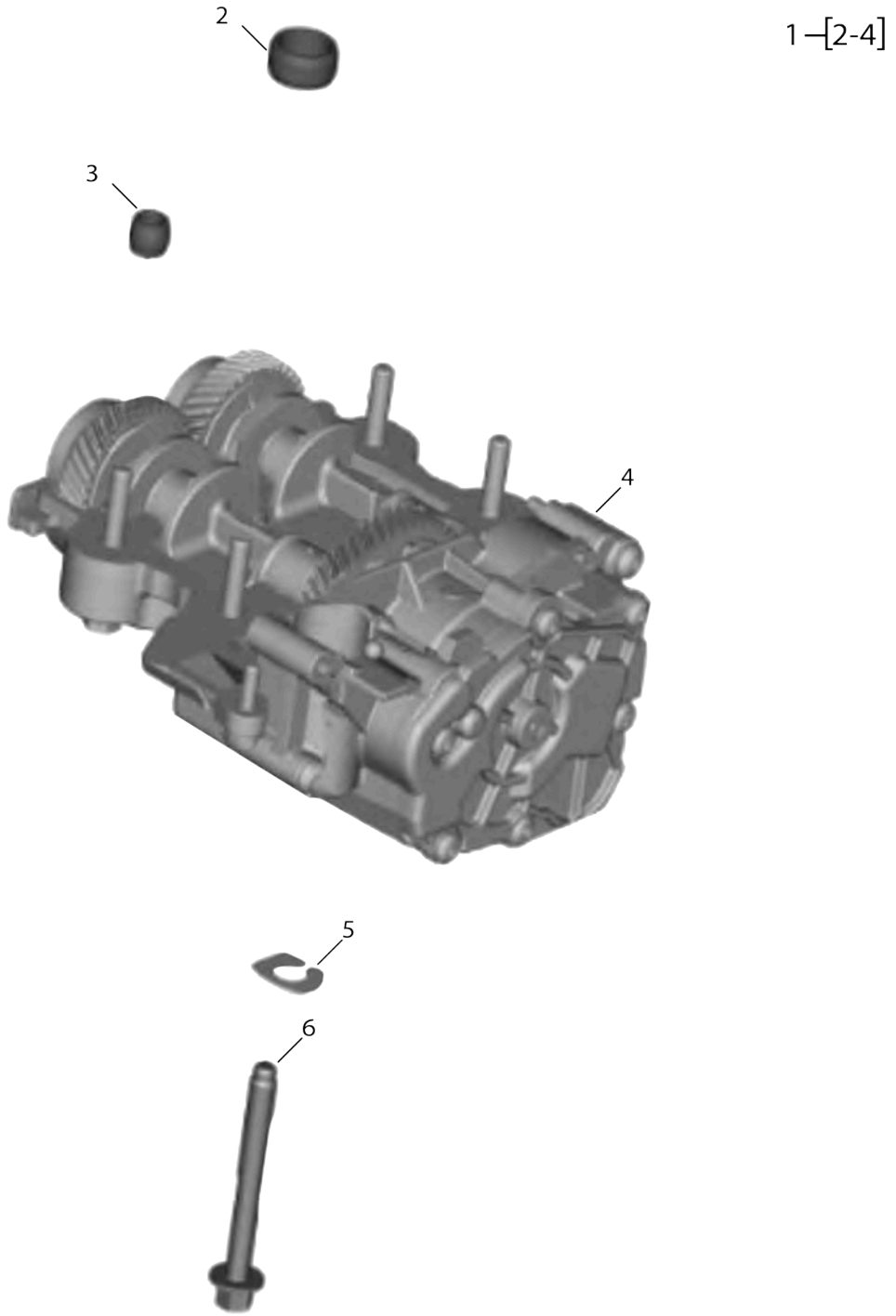


Table 71. OIL PUMP

Item Number	Part Number	Description	Quantity	Primary Source
1	U4512A	HSG ASSY,SFT BAL, ENG,FORD,2.0L	1	Oshkosh Defense
2	U4513A	GSKT,OIL,PUMP-ENG BLK,OUT	1	Oshkosh Defense
3	U4514A	GSKT,OIL,PUMP-ENG BLK,IN	1	Oshkosh Defense
4	P2GZ-6A311-A001	HSG,SFT BAL,ENG, FORD,2.0L,NOT PROCURABLE,MUST PURCHASE P2GZ-6A311-A	1	Oshkosh Defense
5	U4515A	SHM,ENG DYN BAL, 1.15MM	4	Oshkosh Defense
6	U4516A	BOLT,HSG,SFT BAL M10X80	4	Oshkosh Defense

OIL COOLER AND FILTER

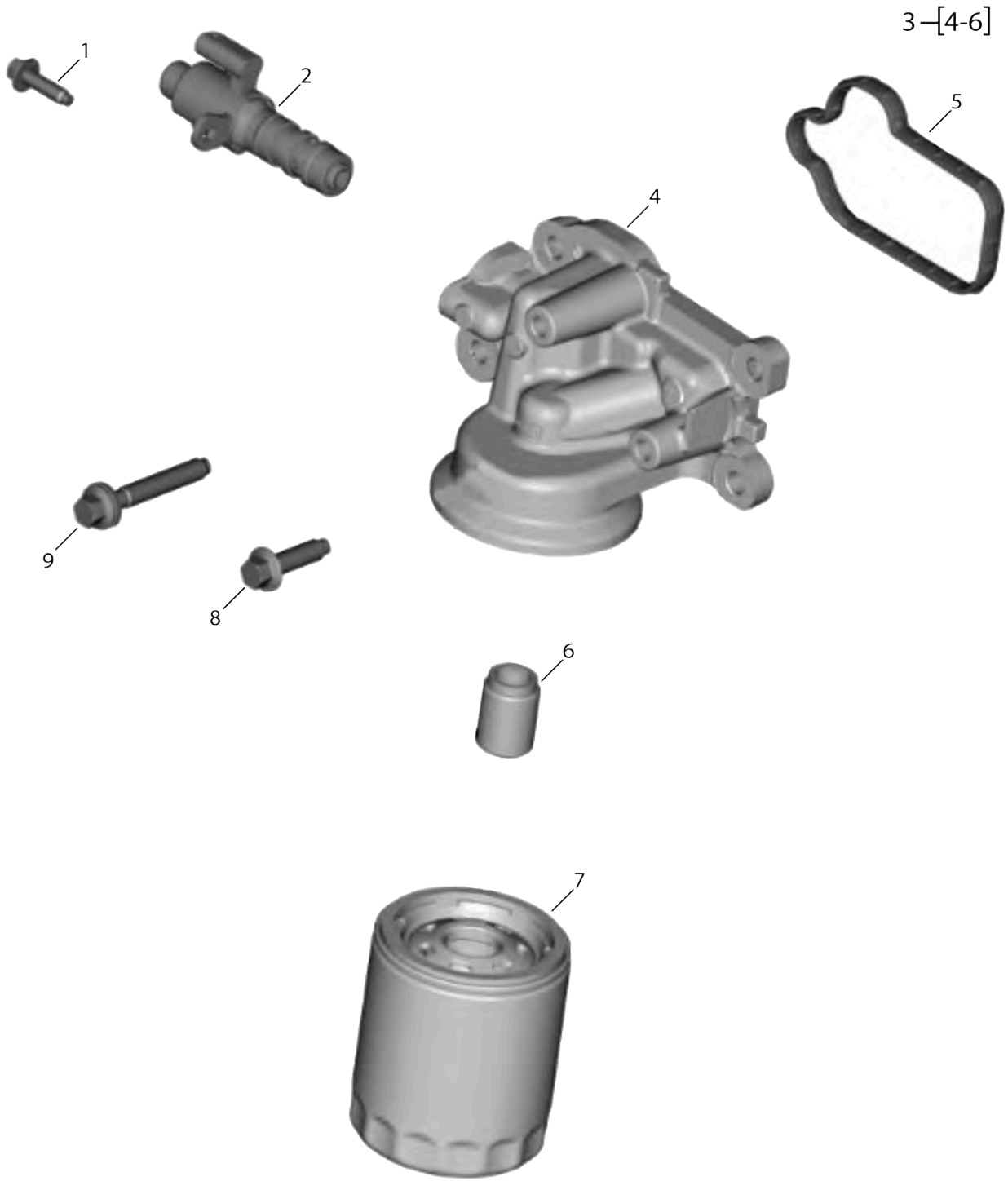


Table 72. OIL COOLER AND FILTER

Item Number	Part Number	Description	Quantity	Primary Source
1	U4531A	SCR,FLG,HEX M6X20 C8.8	1	Oshkosh Defense
2	U455FA	VLV ASSY,SOL,ENG OIL	1	Oshkosh Defense
3	U455BA	HSG ASSY,OIL FILTER,ENGINE	1	Oshkosh Defense
4	P2GZ-6881-A001	HSG,OIL FILTER,ENG, FORD,NOT PROCURABLE,MUST PURCHASE P2GZ-6881-A	1	Oshkosh Defense
5	U455CA	GSKT,HSG,OIL FILTER,ENG,FORD	1	Oshkosh Defense
6	U455DA	SCR,INSERT,MTG,OIL FILTER	1	Oshkosh Defense
7	U455EA	OIL FILTER,ENG, FORD,2.0L	1	Oshkosh Defense
8	U451MA	SCR,FLG,HEX M8X28 C8.8	3	Oshkosh Defense
9	U451TA	SCR,WASH,HEX M8X54.5 C8.8	1	Oshkosh Defense

PULLEY

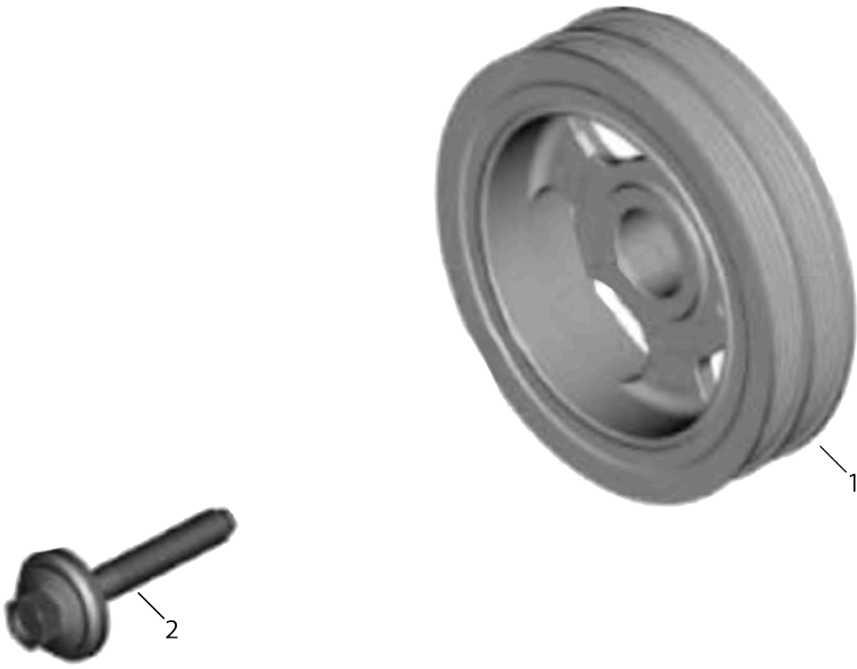


Table 73. PULLEY

Item Number	Part Number	Description	Quantity	Primary Source
1	U4534A	PULLEY,VIB DMPR, CSHAFT	1	Oshkosh Defense
2	U4535A	SCR,FLG,HEX,PULLEY, VIB DMPR	1	Oshkosh Defense

THERMOSTAT AND HOUSING

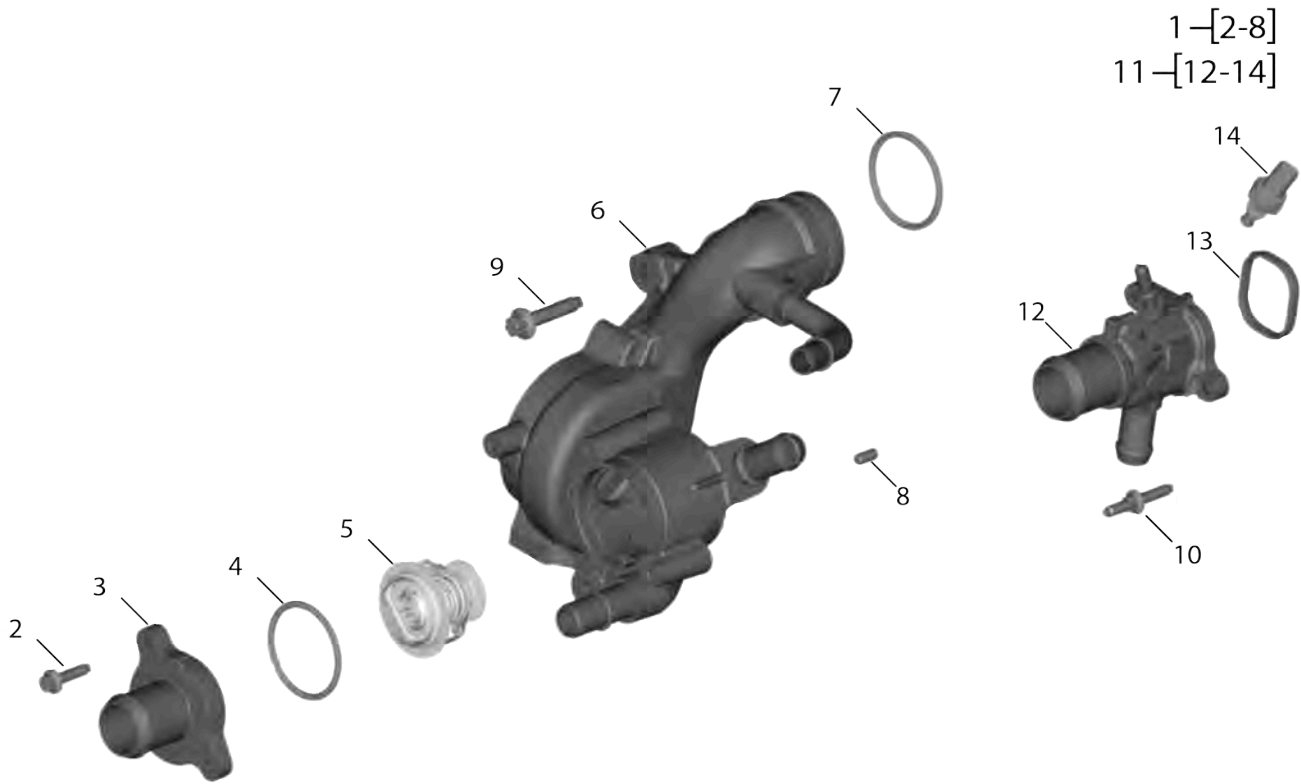


Table 74. THERMOSTAT AND HOUSING

Item Number	Part Number	Description	Quantity	Primary Source
1	U454NA	HSG ASSY,WATER PUMP,ENG,FORD	1	Oshkosh Defense
2	U452NA	SCR,FLG,HEX M6X25.8 C8.8	2	Oshkosh Defense
3	U454QA	CONNECTOR,WATER, OUTLET	1	Oshkosh Defense
4	U454SA	ORING,SEAL,WATER, THERMOSTAT	1	Oshkosh Defense
5	U454PA	THERMOSTAT,WATER, ENGINE	1	Oshkosh Defense
6	P2GZ-8503-A001	HSG,WATER PUMP,ENG, FORD,2.0L,NOT PROCURABLE, MUST PURCHASE P2GZ-8503-A	1	Oshkosh Defense
7	U454RA	GSKT,SEAL,WATER PUMP,INLET	1	Oshkosh Defense
8	U451JA	PIN,DWL 6X14	2	Oshkosh Defense
9	U454TA	SCR,FLG,HEX M8X41 C8.8	2	Oshkosh Defense
10	U454MA	STUD,FLG,HEX M6X26-M6X15 C8.8	2	Oshkosh Defense
11	U454HA	ADPTR ASSY,WATER, OUTLET	1	Oshkosh Defense
12	U454JA	CONNECTOR,WATER, OUTLET	1	Oshkosh Defense
13	U454KA	GSKT,CONNECTOR, WATER,OUTLET	1	Oshkosh Defense
14	U454LA	SENSOR,TEMP,WATER, OUTLET	1	Oshkosh Defense

THROTTLE HOUSING

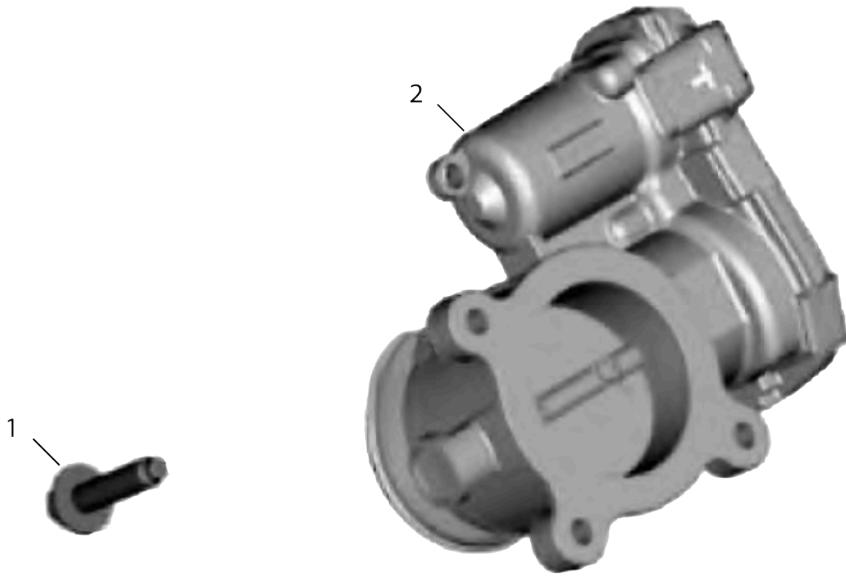


Table 75. THROTTLE HOUSING

Item Number	Part Number	Description	Quantity	Primary Source
1	U452NA	SCR,FLG,HEX M6X25.8 C8.8	3	Oshkosh Defense
2	U455LA	THROTTLE BODY,ENG, FORD,2.0L	1	Oshkosh Defense

TIMING GEAR

6-[7-8]
14-[15-17]

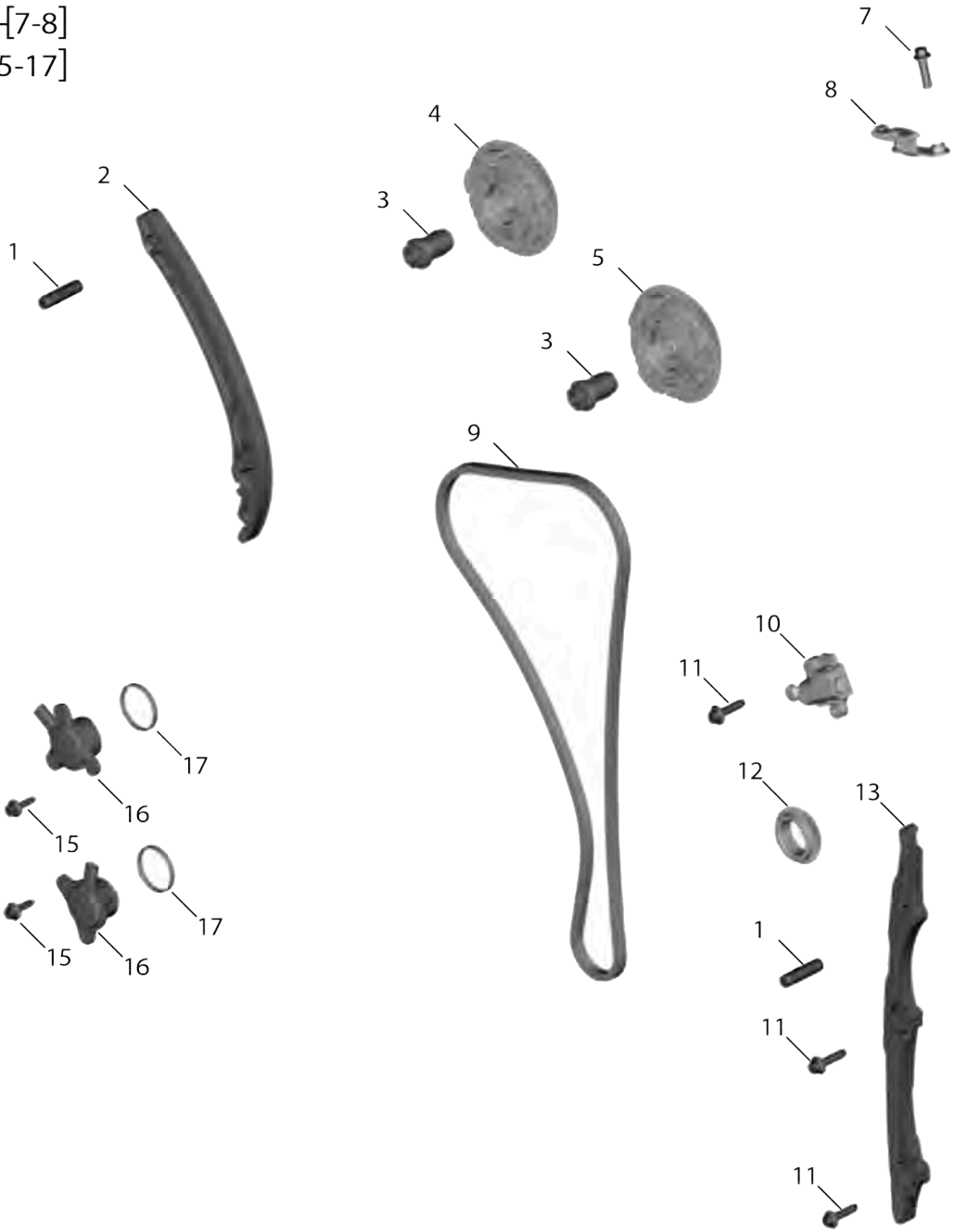


Table 76. TIMING GEAR

Item Number	Part Number	Description	Quantity	Primary Source
1	U452MA	PIN,DOWEL 10X40 ST	2	Oshkosh Defense
2	U452QA	TNSNR ARM,TMG CHAIN,ENG	1	Oshkosh Defense
3	U452HA	VLV ASSY,CAM TMG, ENG,FORD,2.0L	2	Oshkosh Defense
4	U452GA	CAM TMG ASSY,EXH, ENG,FORD,2.0L	1	Oshkosh Defense
5	U452FA	CAM TMG ASSY,INT, ENGINE	1	Oshkosh Defense
6	U452RA	GUIDE ASSY,CHAIN, TIMING	1	Oshkosh Defense
7	U452SA	SCR,FLG,HEX M6X25 C8.8	2	Oshkosh Defense
8	P2GZ-6M256-A001	GUIDE,CHAIN,TIMING NOT PROCURABLE,MUST PURCHASE P2GZ-6M256-A	1	Oshkosh Defense
9	U452JA	CHAIN, TMG,ENG,FORD, 2.0L	1	Oshkosh Defense
10	U452PA	TNSN ASSY,TMG CHAIN,ENGINE	1	Oshkosh Defense
11	U452NA	SCR,FLG,HEX M6X25.8 C8.8	3	Oshkosh Defense
12	U452KA	GEAR,CSHAFT,ENGINE	1	Oshkosh Defense
13	U452LA	GUIDE, TMG CHAIN, ENG,FORD,2.0L	1	Oshkosh Defense
14	U452TA	SOLENOID ASSY,VAR TMG,ENG,FORD	2	Oshkosh Defense
15	U452VA	SCR,FLG,HEX M5X17.5 C8.8	3	Oshkosh Defense
16	P2GZ-6M280-A001	SOLENOID,VAR TMG, ENG FORD,NOT PROCURABLE, MUST PURCHASE P2GZ-6M280-A	1	Oshkosh Defense
17	U452UA	SEAL,CAMSHAFT,ENG, FORD,2.0L	1	Oshkosh Defense

TIMING GEAR COVERS

1-[2-4]

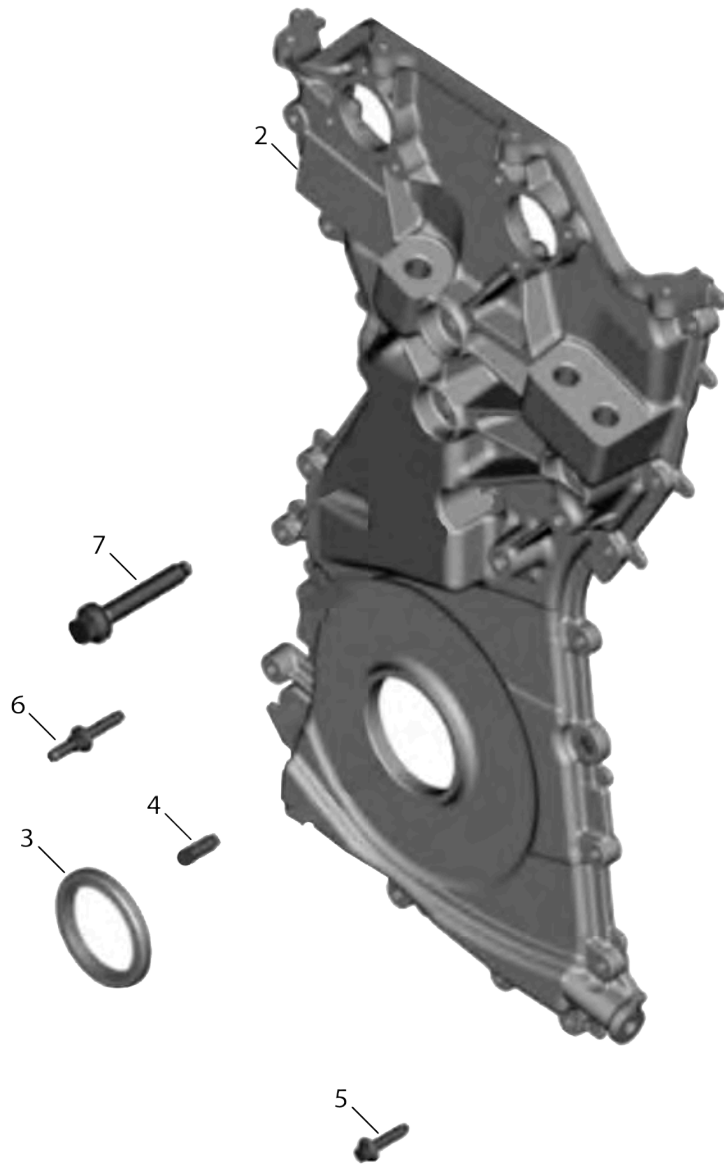


Table 77. TIMING GEAR COVERS

Item Number	Part Number	Description	Quantity	Primary Source
1	U452WA	CVR ASSY,ENG BLK,FR	1	Oshkosh Defense
2	P2GZ-6019-A001	CVR,ENG BLK,FR NOT PROCURABLE,MUST PURCHASE P2GZ-6019-A	1	Oshkosh Defense
3	U452XA	SEAL,OIL,CSHAFT-FR CVR	1	Oshkosh Defense
4	U0200A	BSHG,SLV 6.6X8.0X11.5	2	Oshkosh Defense
5	U452NA	SCR,FLG,HEX M6X25.8 C8.8	17	Oshkosh Defense
6	U452ZA	STUD,FLG,HEX M6X26-M6X15 C8	1	Oshkosh Defense
7	U452YA	SCR,WASH,HEX M10X63 C8.8	3	Oshkosh Defense

TURBOCHARGER

2-[3-5]
8-[9-14]
16-[17-18]
19-[20-24]
27-[28-30]

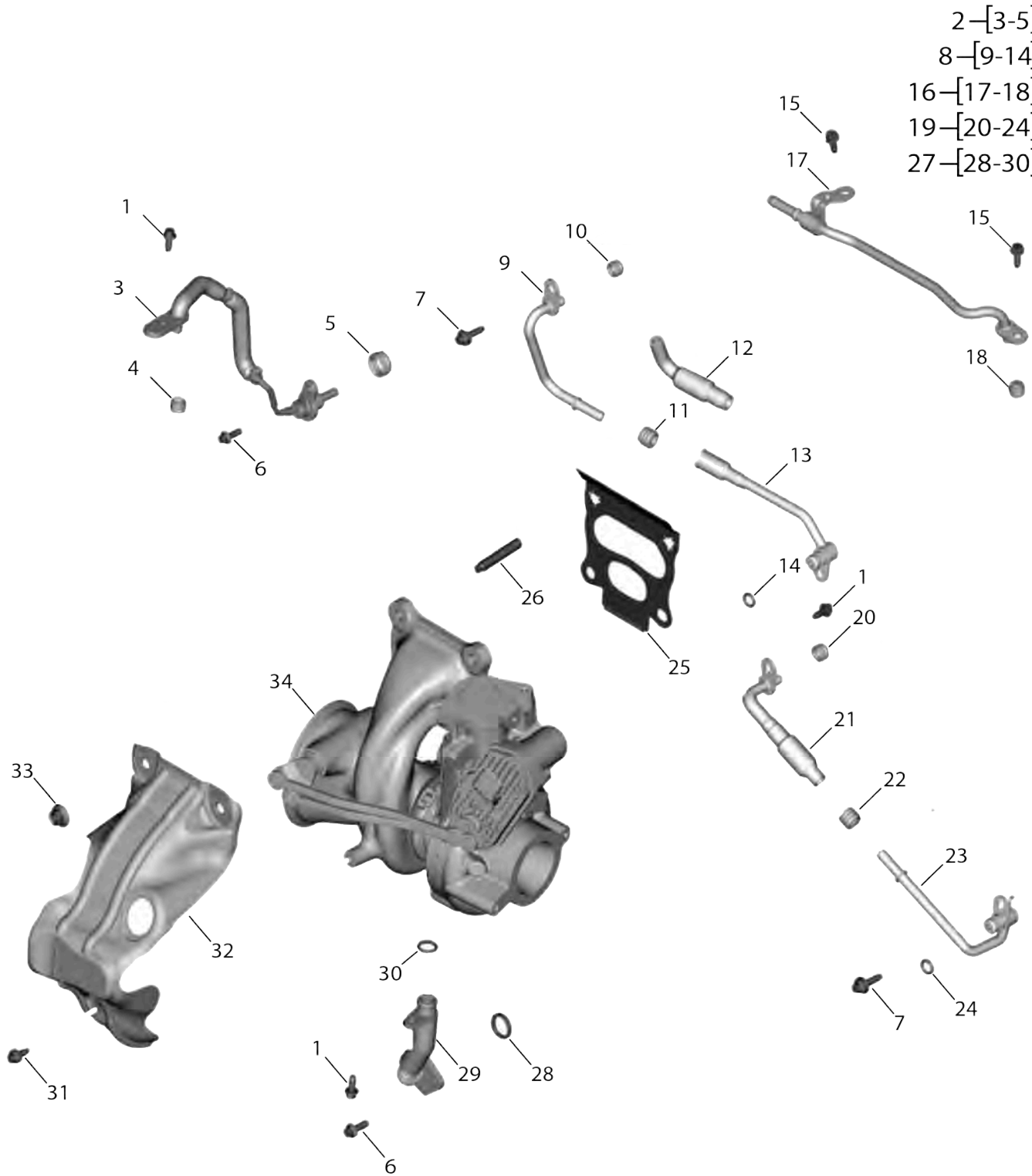


Table 78. TURBOCHARGER

Item Number	Part Number	Description	Quantity	Primary Source
1	U450AA	SCR,FLG,HEX M6X14 C8.8	16	Oshkosh Defense
2	U4546A	TUBE ASSY,TURBO,OIL FEED	1	Oshkosh Defense
3	P2GZ-6K679-A001	TUBE,TURBO,OIL FEED NOT PROCURABLE,MUST PURCHASE P2GZ-6K679-A	1	Oshkosh Defense
4	U4547A	GSKT,RND,TUBE 23.4X10.4	1	Oshkosh Defense
5	U4542A	GSKT,RND,TUBE 15.3X10.4	1	Oshkosh Defense
6	U454DA	SCR,FLG,HEX M6X20 C8.8	4	Oshkosh Defense
7	U4545A	SCR,WASH,HEX M6X25 C8.8	2	Oshkosh Defense
8	U454EA	TUBE ASSY,TURBO, WTR,OUT	1	Oshkosh Defense
9	P2GZ-8A520-A001	TUBE,TURBO,WTR,OUT, TB SD,NOT PROCURABLE, MUST PURCHASE P2GZ-8A520-A	1	Oshkosh Defense
10	U4542A	GSKT,RND,TUBE 15.3X10.4	1	Oshkosh Defense
11	U4543A	GSKT,RND,TUBE 17.5X12.8	1	Oshkosh Defense
12	P2GZ-8A520-A002	TUBE,TURBO,WTR,OUT, MID,NOT PROCURABLE,MUST PURCHASE P2GZ-8A520-A	1	Oshkosh Defense
13	P2GZ-8A520-A003	TUBE,TURBO,WTR,OUT, ENG SD,NOT PROCURABLE, MUST PURCHASE P2GZ-8A520-A	1	Oshkosh Defense
14	U4544A	ORING 9.85X2.76	1	Oshkosh Defense
15	U454GA	SCR,WASH,HEX M6X18 C8.8	2	Oshkosh Defense
16	U454FA	TUBE ASSY,TURBO, WTR,OUT,DEGAS	1	Oshkosh Defense
17	P2GZ-8K153-A001	TUBE,TURBO,WTR,OUT, DEGAS,NOT PROCURABLE, MUST PURCHASE P2GZ-8K153-A	1	Oshkosh Defense
18	U4542A	GSKT,RND,TUBE 15.3X10.4	1	Oshkosh Defense
19	U4541A	TUBE ASSY,TURBO, WTR,OUT	1	Oshkosh Defense
20	U4542A	GSKT,RND,TUBE 15.3X10.4	1	Oshkosh Defense
21	P2GZ-8K153-B001	TUBE ASSY,TURBO, WTR,OUT,TRB SD,NOT PROCURABLE,MUST PURCHASE P2GZ-8K153	1	Oshkosh Defense
22	U4543A	GSKT,RND,TUBE 17.5X12.8	1	Oshkosh Defense
23	P2GZ-8K153-B002	TUBE ASSY,TURBO, WTR,OUT,ENG SD,NOT PROCURABLE,MUST PURCHASE P2GZ-8K153	1	Oshkosh Defense
24	U4544A	ORING 9.85X2.76	1	Oshkosh Defense
25	U453XA	GSKT,MANIFOLD, EXHAUST	1	Oshkosh Defense
26	U453ZA	STUD,FLG,HEX M10X22-M10X29 C8	4	Oshkosh Defense
27	U454AA	TUBE ASSY,TURBO,OIL DRAIN	1	Oshkosh Defense
28	U454CA	GSKT,RND,TUBE 25.7X4.7	1	Oshkosh Defense
29	P2GZ-6L092-A001	TUBE,TURBO,OIL DRAIN,NOT PROCURABLE,MUST PURCHASE P2GZ-6L092-A	1	Oshkosh Defense
30	U454BA	ORING 14.5X2.8	1	Oshkosh Defense
31	U4549A	SCR,WASH,HEX M6X14	1	Oshkosh Defense
32	U4548A	HEAT SHIELD,TURBO, ENG,FORD	1	Oshkosh Defense
33	U4540A	NUT,FLG,HEX M10 C10	4	Oshkosh Defense
34	U453YA	TURBO ASSY,ENG, FORD,2.0L	1	Oshkosh Defense

WATER PUMP

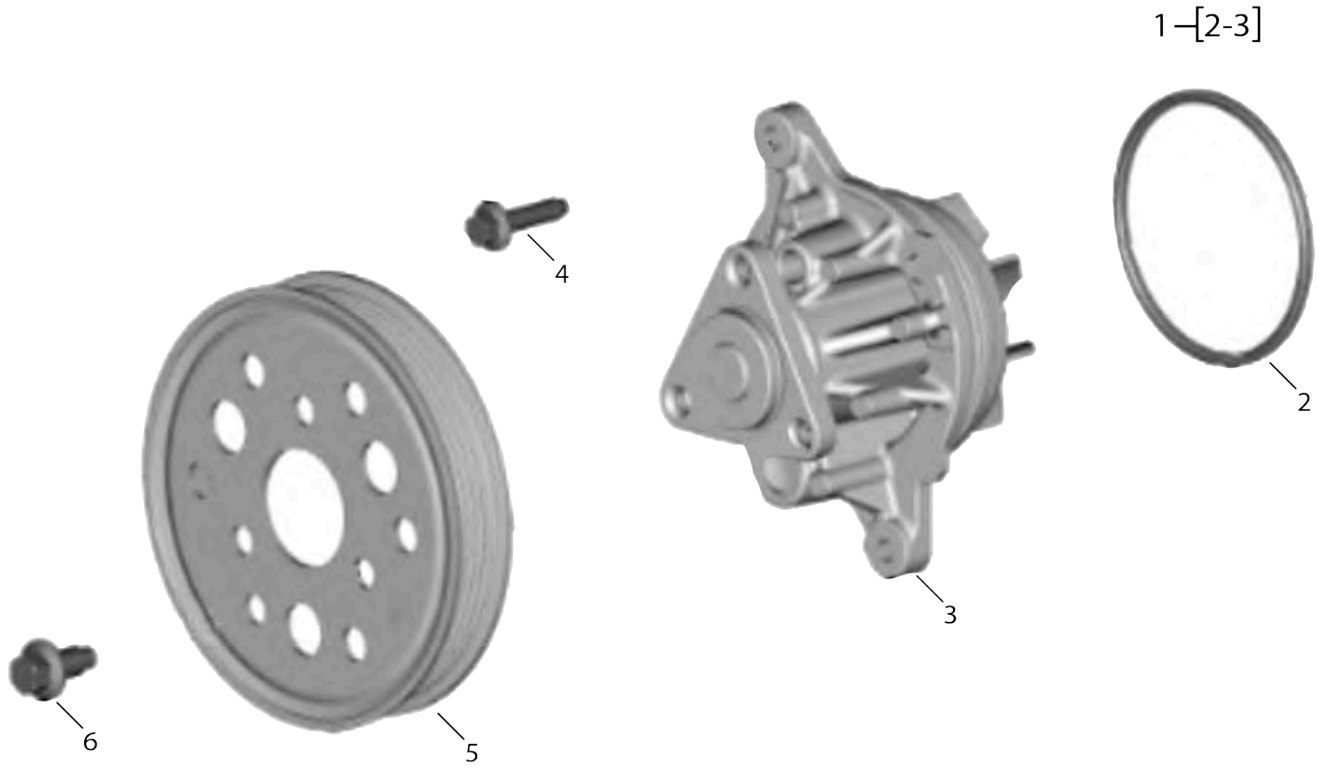


Table 79. WATER PUMP

Item Number	Part Number	Description	Quantity	Primary Source
1	U454UA	PUMP ASSY,WATER, ENG,FORD,2.0L	1	Oshkosh Defense
2	U454VA	GSKT,PUMP,WATER, ENG,FORD,2.0L	1	Oshkosh Defense
3	P2GZ-8501-A001	PUMP,WATER,ENG, FORD,2.0L,NOT PROCURABLE,MUST PURCHASE P2GZ-8501-A	1	Oshkosh Defense
4	U4551A	SCR,FLG,HEX M8X14 C8.8	3	Oshkosh Defense
5	U4550A	PULLEY,WTR PUMP, ENGINE	1	Oshkosh Defense
6	U452NA	SCR,FLG,HEX M6X25.8 C8.8	2	Oshkosh Defense

1-[2]



Table 80. MODULE,PCM,ICE,AWD

Item Number	Part Number	Description	Quantity	Primary Source
1	D014U014	MODULE ASSY,ECU, PCM,NIA,R07	1	Oshkosh Defense
2	U3516A	MODULE,PCM	1	Oshkosh Defense

1-[2]



Table 81. MODULE,PCM,ICE,FWD

Item Number	Part Number	Description	Quantity	Primary Source
1	D014U013	MODULE ASSY,ECU, PCM,NIF,R07	1	Oshkosh Defense
2	U3516A	MODULE,PCM	1	Oshkosh Defense

BATTERY ELECTRIC VEHICLE (BEV) MOTOR



DRIVE UNIT,ELEC,FRONT

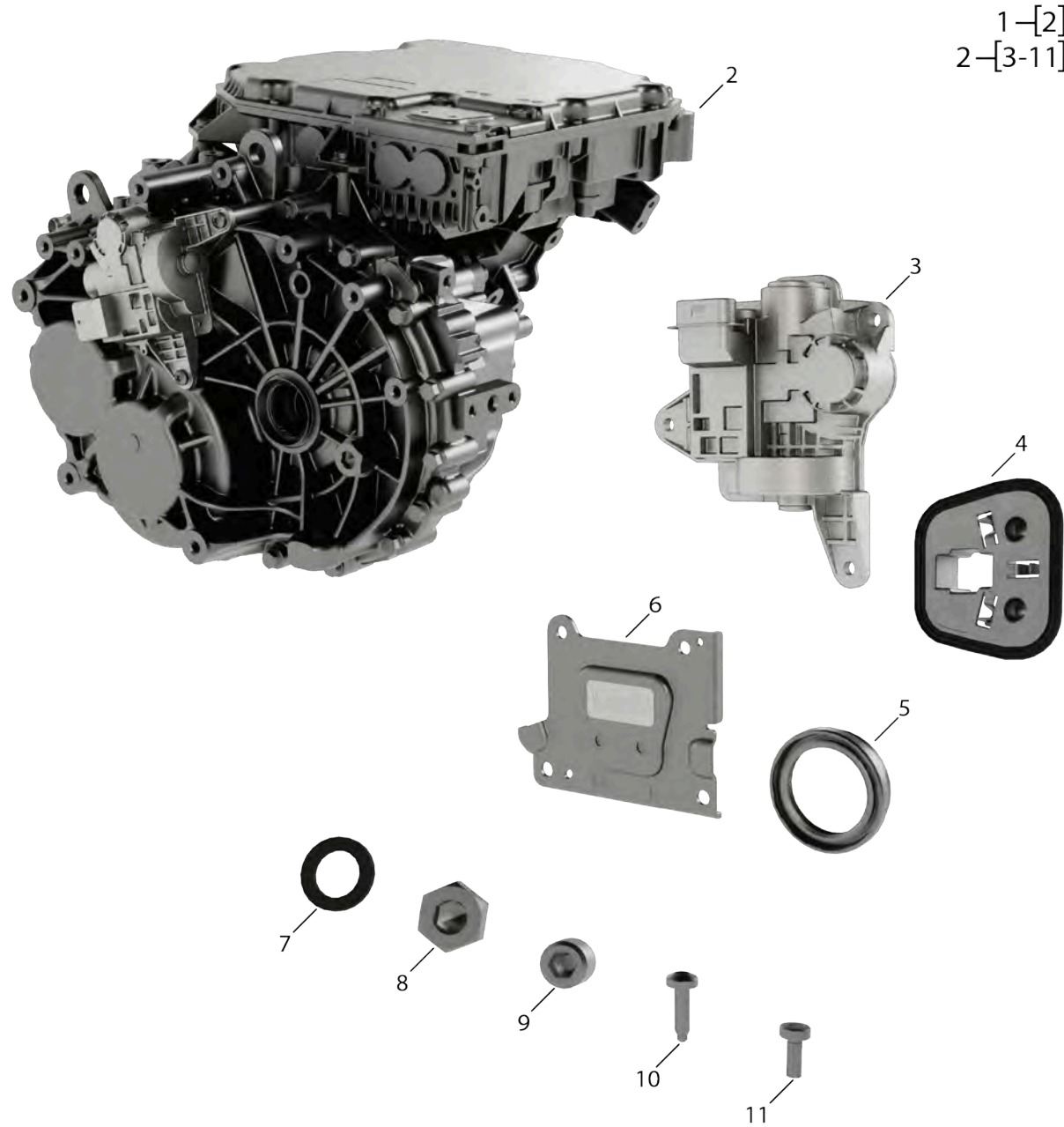


Table 82. DRIVE UNIT,ELEC,FRONT

Item Number	Part Number	Description	Quantity	Primary Source
1	D015A441	MODULE ASSY,ECU,EDU FR,NBX,4.4 RT8	1	Oshkosh Defense
2	U520TA	DRIVE UNIT,150KW, 150KW	1	Oshkosh Defense
3	U5211A	ACTUATOR,EXCHANGE	1	Oshkosh Defense
4	U520VA	GSKT,HV DISC,DRIVE UNIT	1	Oshkosh Defense
5	U520XA	SEAL,RADIAL SHAFT	2	Oshkosh Defense
6	U520WA	COVER,HV DISC,DRIVE UNIT	1	Oshkosh Defense
7	U5210A	GSKT,RND 18X28X3	1	Oshkosh Defense
8	U520ZA	SCR,CAP,HEX M18-1.5X12	1	Oshkosh Defense
9	U520YA	FTG,PLUG NPT M INHEX	1	Oshkosh Defense
10	U5212A	SCR,PAN,TRX,DGP M6X17.5 C8.8 ST	3	Oshkosh Defense
11	U520UA	SCR,PAN,TRX M6X16 C8.8 ZN	4	Oshkosh Defense

DRIVE UNIT,FRONT,ELECTRIC

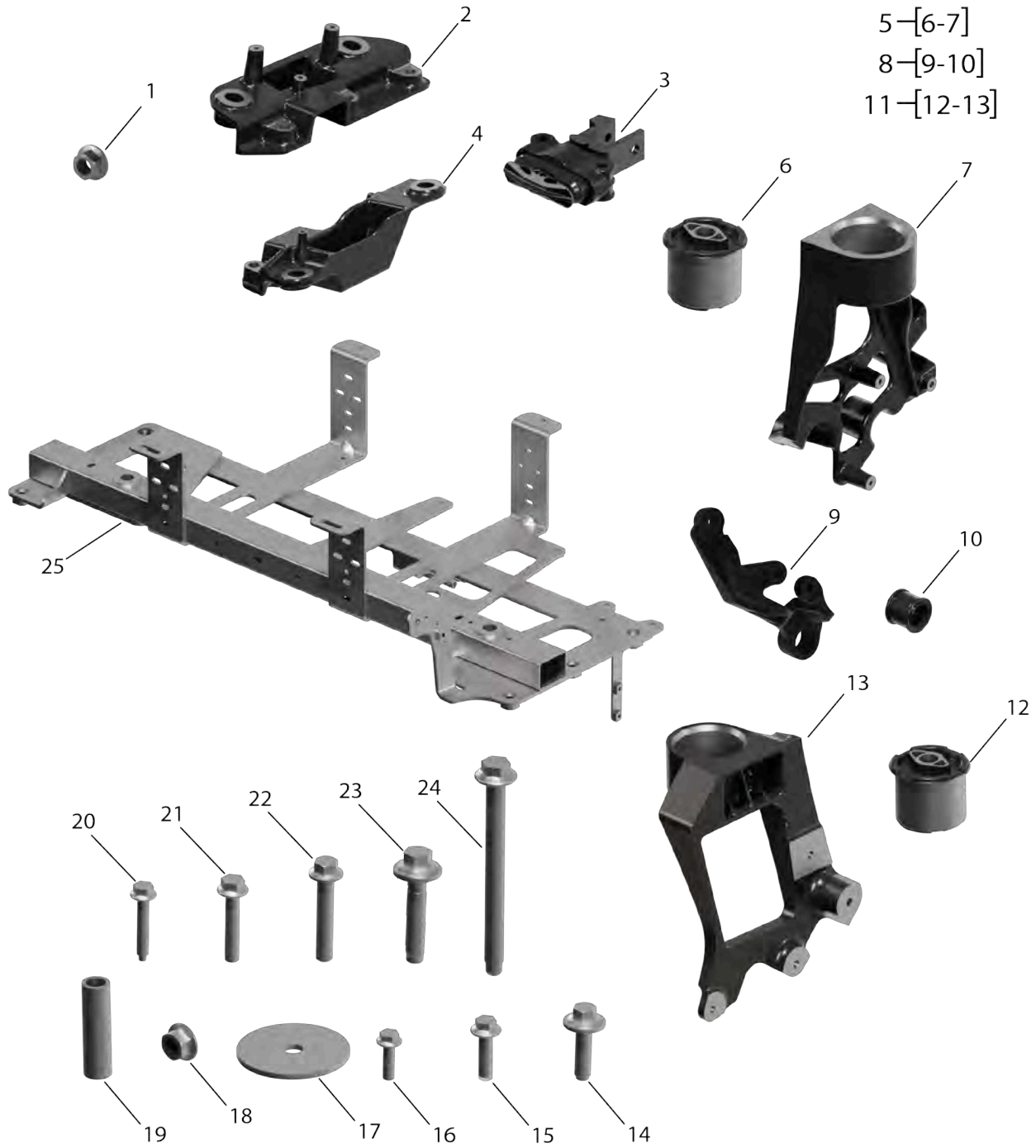


Table 83. DRIVE UNIT,FRONT,ELECTRIC

Item Number	Part Number	Description	Quantity	Primary Source
1	U421SA	NUT,FLG M6-1.0 C10 MG	2	Oshkosh Defense
2	U5205A	BRKT,SPRT TRAY,LH	1	Oshkosh Defense
3	U457AA	ISO MOUNT ASSY,ENG, REAR	1	Oshkosh Defense
4	U5204A	BRKT,SPRT TRAY,RH	1	Oshkosh Defense
5	U5208A	ISO MOUNT ASSY,FR EDU,RH	1	Oshkosh Defense
6	U520AA	REAR SUBFRAME FRONT MOUNT	1	Oshkosh Defense
7	U5209A	BRKT,FR EDU,RH	1	Oshkosh Defense
8	U5206A	ISO MOUNT ASSY,FR EDU,MID	1	Oshkosh Defense
9	U5207A	BRKT,FR EDU,MID, MAC	1	Oshkosh Defense
10	U456PA	BUSHING ASSEMBLY M14	1	Oshkosh Defense
11	U520BA	ISO MOUNT ASSY,FR EDU,LH	1	Oshkosh Defense
12	U520AA	REAR SUBFRAME FRONT MOUNT	1	Oshkosh Defense
13	U520CA	BRKT,FR EDU,LH	1	Oshkosh Defense
14	U456YA	BOLT,MACHINE M14X66 C10 MG	2	Oshkosh Defense
15	U520HA	SCR,FLG,HEX M12-1.25X45 C10.9 MB	3	Oshkosh Defense
16	U520GA	SCR,FLG,HEX M10-1.25X35 C10.9 MB	8	Oshkosh Defense
17	U5201A	FLAT WASHER 17MM X 98MM	2	Oshkosh Defense
18	U520DA	NUT,FLANGE M16-2.0 C10 MG	2	Oshkosh Defense
19	U5202A	SPACER,EDU,MNT	2	Oshkosh Defense
20	U520EA	SCR,FLG,HEX,DGP M12X60 C10.9MG	6	Oshkosh Defense
21	U456LA	BOLT,MACHINE M12-1.75X65 C10.9 MG	2	Oshkosh Defense
22	U456TA	BOLT,MACHINE M14-2.0X80 C10.9	1	Oshkosh Defense
23	U456WA	BOLT,MACHINE M16X80 C10.9	2	Oshkosh Defense
24	U520FA	SCR,FLG,HEX M16-2.0X180C10.9MG	2	Oshkosh Defense
25	U5203A	SPRT TRAY,EDU,WLDMT WELDMENT	1	Oshkosh Defense

DRIVE UNIT,ELEC, REAR

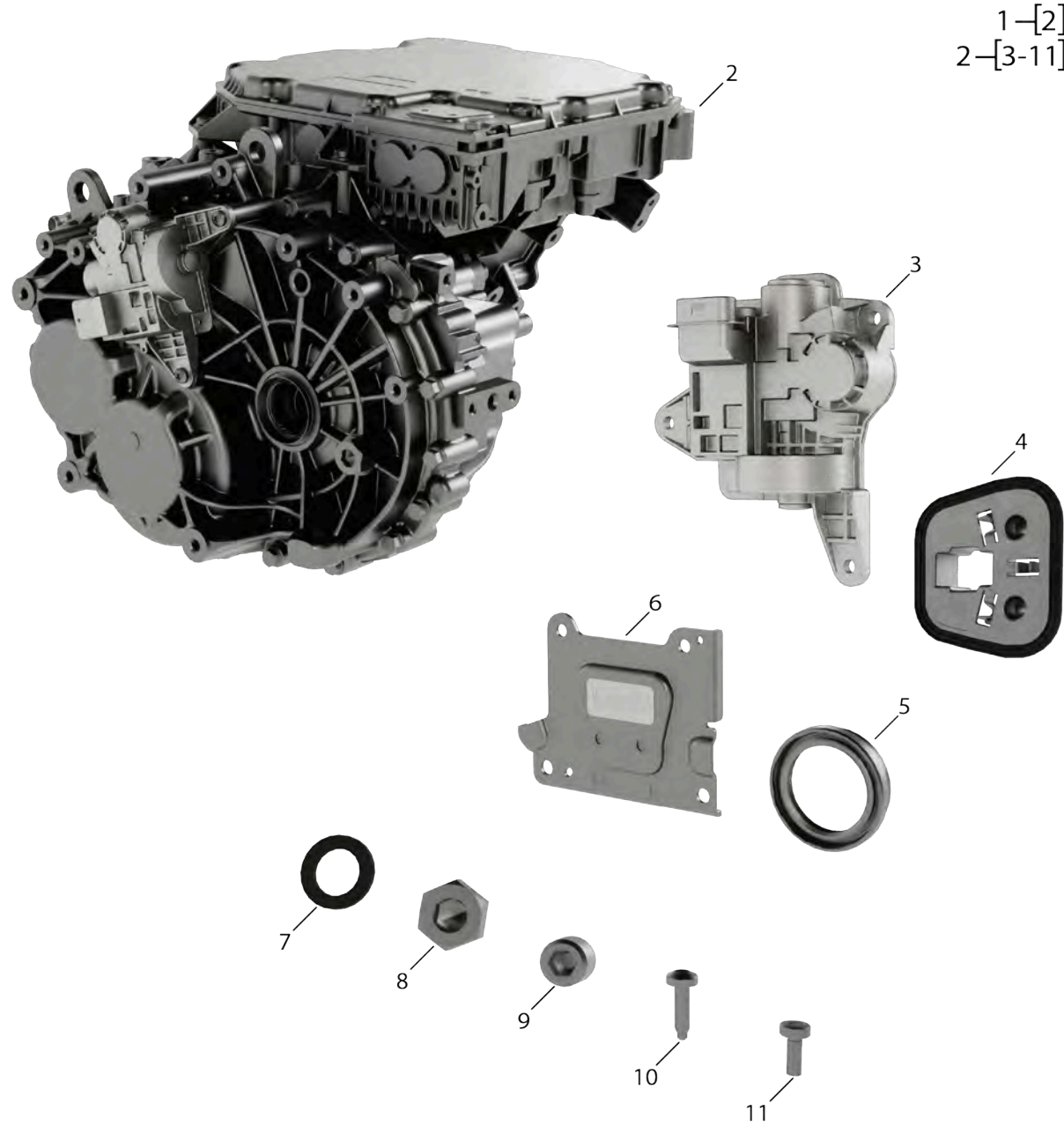


Table 84. DRIVE UNIT,ELEC,REAR

Item Number	Part Number	Description	Quantity	Primary Source
1	U3506A	MODULE ASSY,ECU,EDU RR,NBA,4.2RT8	1	Oshkosh Defense
2	U520TA	DRIVE UNIT,150KW, 150KW	1	Oshkosh Defense
3	U5211A	ACTUATOR,EXCHANGE	1	Oshkosh Defense
4	U520VA	GSKT,HV DISC,DRIVE UNIT	1	Oshkosh Defense
5	U520XA	SEAL,RADIAL SHAFT	2	Oshkosh Defense
6	U520WA	COVER,HV DISC,DRIVE UNIT	1	Oshkosh Defense
7	U5210A	GSKT,RND 18X28X3	1	Oshkosh Defense
8	U520ZA	SCR,CAP,HEX M18-1.5X12	1	Oshkosh Defense
9	U520YA	FTG,PLUG NPT M INHEX	1	Oshkosh Defense
10	U5212A	SCR,PAN,TRX,DGP M6X17.5 C8.8 ST	3	Oshkosh Defense
11	U520UA	SCR,PAN,TRX M6X16 C8.8 ZN	4	Oshkosh Defense

DRIVE UNIT,REAR,ELECTRIC



Table 85. DRIVE UNIT,REAR,ELECTRIC

Item Number	Part Number	Description	Quantity	Primary Source
1	U1507A	BOLT,MACHINE M14-2X90 C10MG	1	Oshkosh Defense
2	U520QA	BRKT,RR EDU MT,RH	1	Oshkosh Defense
3	U520PA	BRKT,RR EDU MT,LH	1	Oshkosh Defense
4	U520RA	BRKT,RR EDU MT,MID	1	Oshkosh Defense
5	U520NA	SCR,FLG,HEX,DGP M12X100 C10.9 MG	1	Oshkosh Defense
6	U520MA	SCR,FLG,HEX,DGP M12X80 C10.9MG	1	Oshkosh Defense
7	U520HA	SCR,FLG,HEX M12-1.25X45 C10.9 MB	2	Oshkosh Defense
8	U520SA	SCR,FLG,HEX M12-1.25X35 C10.9 MB	1	Oshkosh Defense
9	U520LA	SCR,FLG,HEX M10-1.25X30 C10.9 MB	8	Oshkosh Defense
10	U520KA	WASHER,FLAT M12X24X2.5 MB	1	Oshkosh Defense
11	U520JA	CONN ASSY,TE,MCON 6 DUSTCAP	1	Oshkosh Defense



TRANSMISSION ASSY,AWD



Table 86. TRANSMISSION ASSY,AWD

Item Number	Part Number	Description	Quantity	Primary Source
1	U275HA	XMSN,8F35HD, TRANSAXLE,AWD	1	Oshkosh Defense
2	U275GA	STUD,M10X45 M6X13 C8.8	4	Oshkosh Defense
3	U270GA	VENT ASSY,XMSN	1	Oshkosh Defense
4	U0201A	NUT,ACRN M6-1.0 PL	1	Oshkosh Defense

TRANSMISSION ASSY,FWD

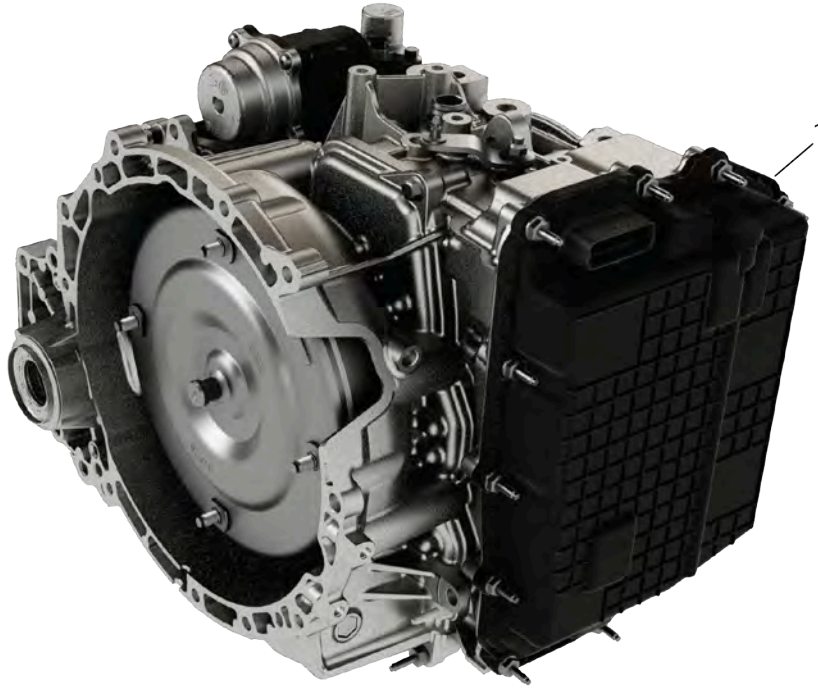


Table 87. TRANSMISSION ASSY,FWD

Item Number	Part Number	Description	Quantity	Primary Source
1	U270HA	XMSN,8F35HD, TRANSAXLE,FWD	1	Oshkosh Defense
2	U275GA	STUD,M10X45 M6X13 C8.8	4	Oshkosh Defense
3	U207GA	VENT ASSY,XMSN	1	Oshkosh Defense
4	U270EA	BRKT,XMSN,NTRL SWCH	1	Oshkosh Defense
5	U1501A	SCR,FLG,HEX,DGP M8X20 C8.8 MG	1	Oshkosh Defense
6	U0201A	NUT,ACRN M6-1.0 PL	1	Oshkosh Defense

FORWARD CLUTCH AND COMPONENTS AWD

2-[3-6]

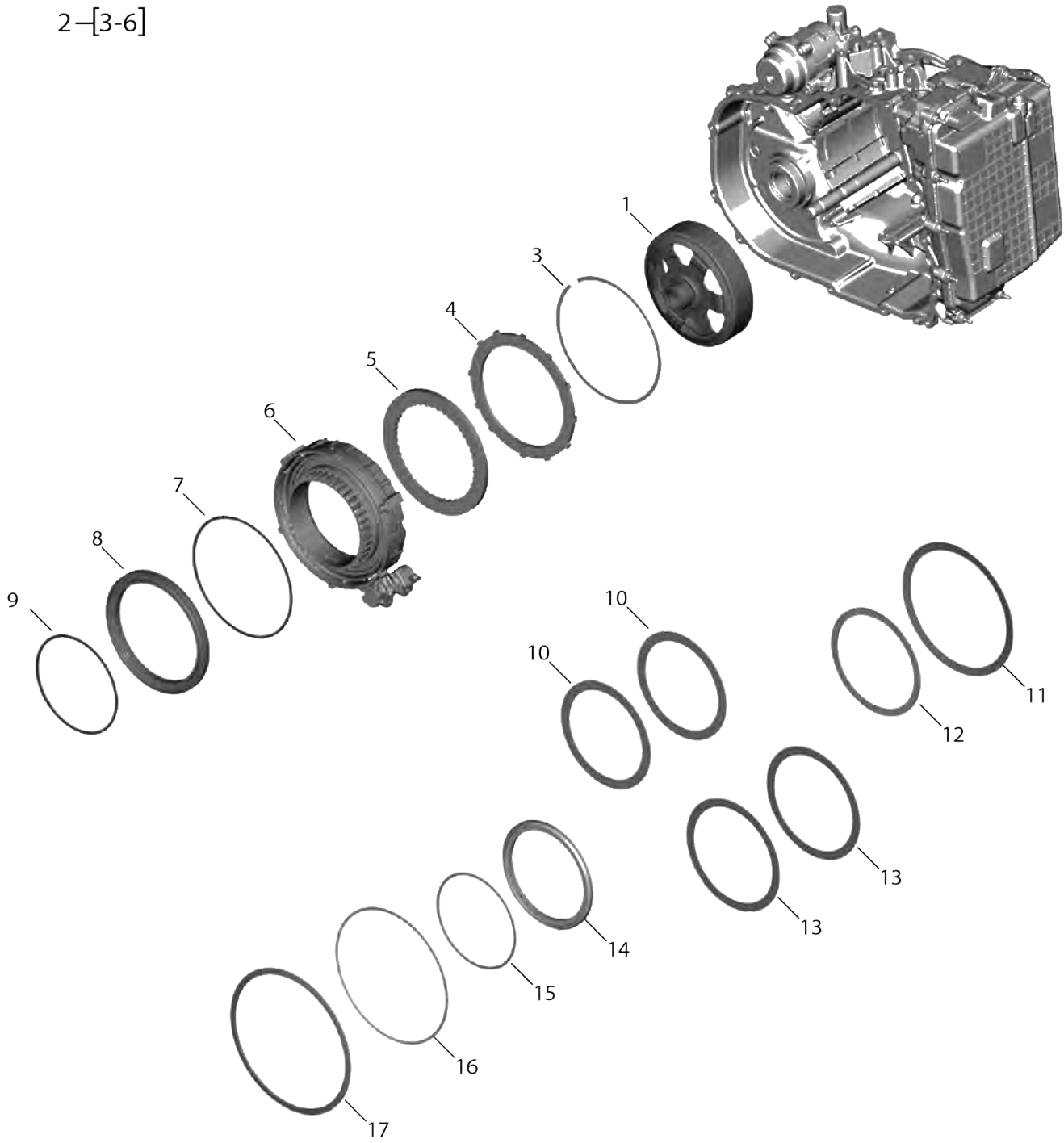


Table 88. FORWARD CLUTCH AND COMPONENTS AWD

Item Number	Part Number	Description	Quantity	Primary Source
1	U272TA	HUB,FWD CL,XMSN XMSN	1	Oshkosh Defense
2	U271CA	HSG ASSY,CYL,RVS CL,XMSN	1	Oshkosh Defense
3	JM5Z-7P030-C001	HSG,CYL,RVS CL,XMSN NOT PROCURABLE,MUST PURCHASE JM5Z-7P030-C	1	Oshkosh Defense
4	JM5Z-7P030-C002	RING,EX TH,CYL HSG, RVS,CL,XMSN,NOT PROCURABLE,MUST PURCHASE JM5Z-7P030-C	1	Oshkosh Defense
5	JM5Z-7P030-C003	RING,CYL HSG,RVS CL,XMSN,NOT PROCURABLE,MUST PURCHASE JM5Z-7P030-C	1	Oshkosh Defense
6	JM5Z-7P030-C004	RING,SNAP,CYL HSG, RVS,CL,XMSN,NOT PROCURABLE,MUST PURCHASE JM5Z-7P030-C	1	Oshkosh Defense
7	U271EA	SEAL,PSTN,FWD CL, OTR.XMSN	1	Oshkosh Defense
8	U271FA	PISTON,FWD CL,XMSN	1	Oshkosh Defense
9	U271DA	SEAL,PSTN,FWD CL, INR,XMSN	1	Oshkosh Defense
10	U271HA	PLATE,EXT SPLN,FWD CL,XMSN	2	Oshkosh Defense
11	U271GA	SPR,PSTN,FWD CL, XMSN	1	Oshkosh Defense
12	U271KA	SPR,CSHN,FWD CL, XMSN	1	Oshkosh Defense
13	U271JA	PLATE,INT SPLN,FWD CL,XMSN	2	Oshkosh Defense
14	U271LA	PLATE,PRESS,FWD CL, XMSN	1	Oshkosh Defense
15	U271MA	RING,RET,PRESS PL, FWD CL,XMSN	1	Oshkosh Defense
16	U2718A	RING,RET,PSTN,DIR CL,XMSN	1	Oshkosh Defense
17	U272FA	RING,RET,PRESS PL, ODR CL,XMSN	1	Oshkosh Defense

FORWARD CLUTCH AND COMPONENTS FWD

2-[3-6]

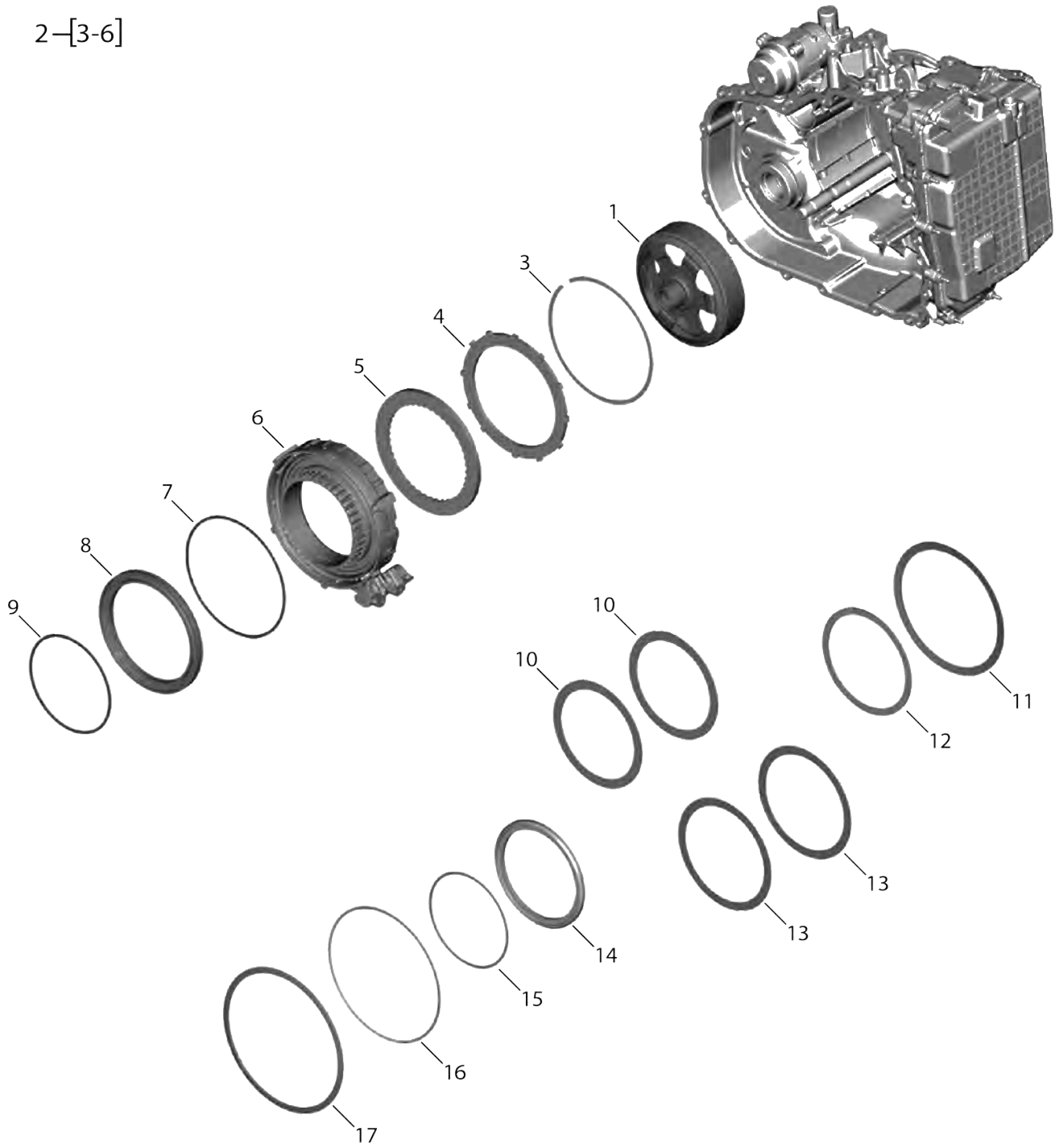


Table 89. FORWARD CLUTCH AND COMPONENTS FWD

Item Number	Part Number	Description	Quantity	Primary Source
1	U272TA	HUB,FWD CL,XMSN	1	Oshkosh Defense
2	U271CA	HSG ASSY,CYL,RVS CL,XMSN	1	Oshkosh Defense
3	JM5Z-7P030-C001	HSG,CYL,RVS CL,XMSN NOT PROCURABLE,MUST PURCHASE JM5Z-7P030-C	1	Oshkosh Defense
4	JM5Z-7P030-C002	RING,EX TH,CYL HSG, RVS,CL,XMSN,NOT PROCURABLE,MUST PURCHASE JM5Z-7P030-C	1	Oshkosh Defense
5	JM5Z-7P030-C003	RING,CYL HSG,RVS CL,XMSN,NOT PROCURABLE,MUST PURCHASE JM5Z-7P030-C	1	Oshkosh Defense
6	JM5Z-7P030-C004	RING,SNAP,CYL HSG, RVS,CL,XMSN,NOT PROCURABLE, MUST PURCHASE JM5Z-7P030-C	1	Oshkosh Defense
7	U271EA	SEAL,PSTN,FWD CL, OTR,XMSN	1	Oshkosh Defense
8	U271FA	PISTON,FWD CL,XMSN	1	Oshkosh Defense
9	U271DA	SEAL,PSTN,FWD CL, INR,XMSN	1	Oshkosh Defense
10	U271HA	PLATE,EXT SPLN,FWD CL,XMSN	2	Oshkosh Defense
11	U271GA	SPR,PSTN,FWD CL, XMSN	1	Oshkosh Defense
12	U271KA	SPR,CSHN,FWD CL, XMSN	1	Oshkosh Defense
13	U271JA	PLATE,INT SPLN,FWD CL,XMSN	2	Oshkosh Defense
14	U271LA	PLATE,PRESS,FWD CL, XMSN	1	Oshkosh Defense
15	U271MA	RING,RET,PRESS PL, FWD CL,XMSN	1	Oshkosh Defense
16	U2718A	RING,RET,PSTN,DIR CL,XMSN	1	Oshkosh Defense
17	U272FA	RING,RET,PRESS PL, ODR CL,XMSN	1	Oshkosh Defense

TRANSMISSION EXTERNAL COMPONENTS AWD

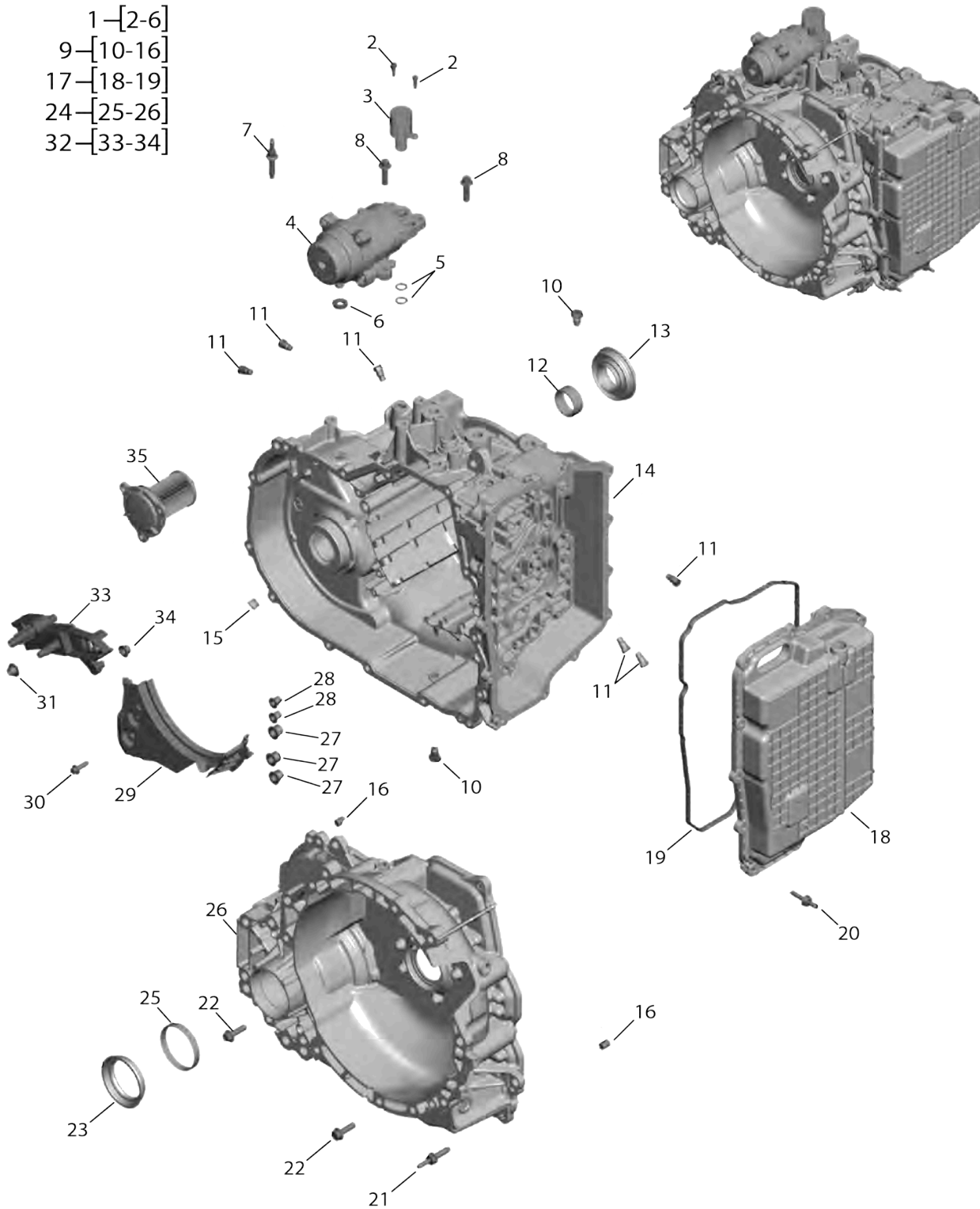


Table 90. TRANSMISSION EXTERNAL COMPONENTS AWD

Item Number	Part Number	Description	Quantity	Primary Source
1	U274ZA	ACUM-CTRL ASY,STSP, XMSN	1	Oshkosh Defense
2	U2753A	SCR,SOLENOID,SH CTRL,XMSN	2	Oshkosh Defense
3	U2752A	SOLENOID,SH CTRL, XMSN	1	Oshkosh Defense
4	JM5Z-7P184-B001	ACUM-CTRL,STSP,XMSN NOT PROCURABLE,MUST PURCHASE JM5Z-7P184-B	1	Oshkosh Defense
5	U2751A	SEAL,SL CTRL, VALVE, XMSN	2	Oshkosh Defense
6	U2750A	SEAL,RVS SH,ACUM, PST,XMSN	1	Oshkosh Defense
7	U2755A	STUD,FLG,HEX M8X30 M6X15 C8.8	1	Oshkosh Defense
8	U2754A	SCR,FLG,HEX M8X30 C8.8	2	Oshkosh Defense
9	U270VA	HSG ASSY,MAIN CASE,	1	Oshkosh Defense
10	U2710A	SCR,CAP,HEX M10-1.0X11 C8.8	1	Oshkosh Defense
11	U270YA	PLUG,FLUID,MAIN, CASE,XMSN	6	Oshkosh Defense
12	U270XA	BSHG,SLV,MAIN CASE, XMSN	1	Oshkosh Defense
13	U270WA	SEAL,WHL BRG,RR, XMSN	2	Oshkosh Defense
14	JM5Z-7005-G001	HSG,MAIN CASE,XMSN NOT PROCURABLE,MUST PURCHASE JM5Z-7005-G	1	Oshkosh Defense
15	U270ZA	PLUG,MAIN CASE,XMSN	1	Oshkosh Defense
16	U2711A	PIN,DWL,MAIN-CONV CASE,XMSN	2	Oshkosh Defense
17	U274WA	COVER ASSY,MAIN CTRL,XMSN	1	Oshkosh Defense
18	JM5Z-7G004-A001	COVER,MAIN CTRL, XMSN,NOT PROCURABLE,MUST PURCHASE JM5Z-7G004-A	1	Oshkosh Defense
19	U274XA	GSKT,COVER,MAIN CTRL,XMSN	1	Oshkosh Defense
20	U274YA	STUD,FLG,HEX M6X25 M6X15 C8.8	13	Oshkosh Defense
21	U273NA	STUD,FLG,HEX M8X30 M6X20 C8.8	5	Oshkosh Defense
22	U273MA	SCR,FLG,GM M8X30	9	Oshkosh Defense
23	U270TA	SEAL,DIFF,RH,XMSN	1	Oshkosh Defense
24	U270SA	HSG ASSY,CONVERTER, XMSN	1	Oshkosh Defense
25	JM5Z-7005-A002	BSHG,SLV,CONV HSG, XMSN,NOT PROCURABLE,MUST PURCHASE JM5Z-7005-A	1	Oshkosh Defense
26	JM5Z-7005-A001	HSG,CONVERTER,XMSN NOT PROCURABLE,MUST PURCHASE JM5Z-7005-A	1	Oshkosh Defense
27	U273FA	SEAL,OIL PMP,LG, XMSN	3	Oshkosh Defense
28	JM5Z-7N265-E	SEAL,OIL PMP,SM, XMSN	2	Oshkosh Defense
29	U2739A	BAF,OIL PAN,XMSN	1	Oshkosh Defense
30	U2716A	SCR,FLG,HEX M6X20 C8.8	5	Oshkosh Defense
31	U2712A	SEAL,HSG,OIL DST, XMSN	1	Oshkosh Defense
32	U273AA	SNBR ASSY,CHAIN DRIVE.XMSN	1	Oshkosh Defense
33	JM5Z-7J387-A001	RSVR,CHAIN DRIVE, XMSN,NOT PROCURABLE,MUST PURCHASE JM5Z-7J387-A	1	Oshkosh Defense
34	U2712A	SEAL,HSG,OIL DST, XMSN	1	Oshkosh Defense
35	U2738A	ELEM ASSY,OIL FILTER,XMSN	1	Oshkosh Defense

TRANSMISSION EXTERNAL COMPONENTS FWD

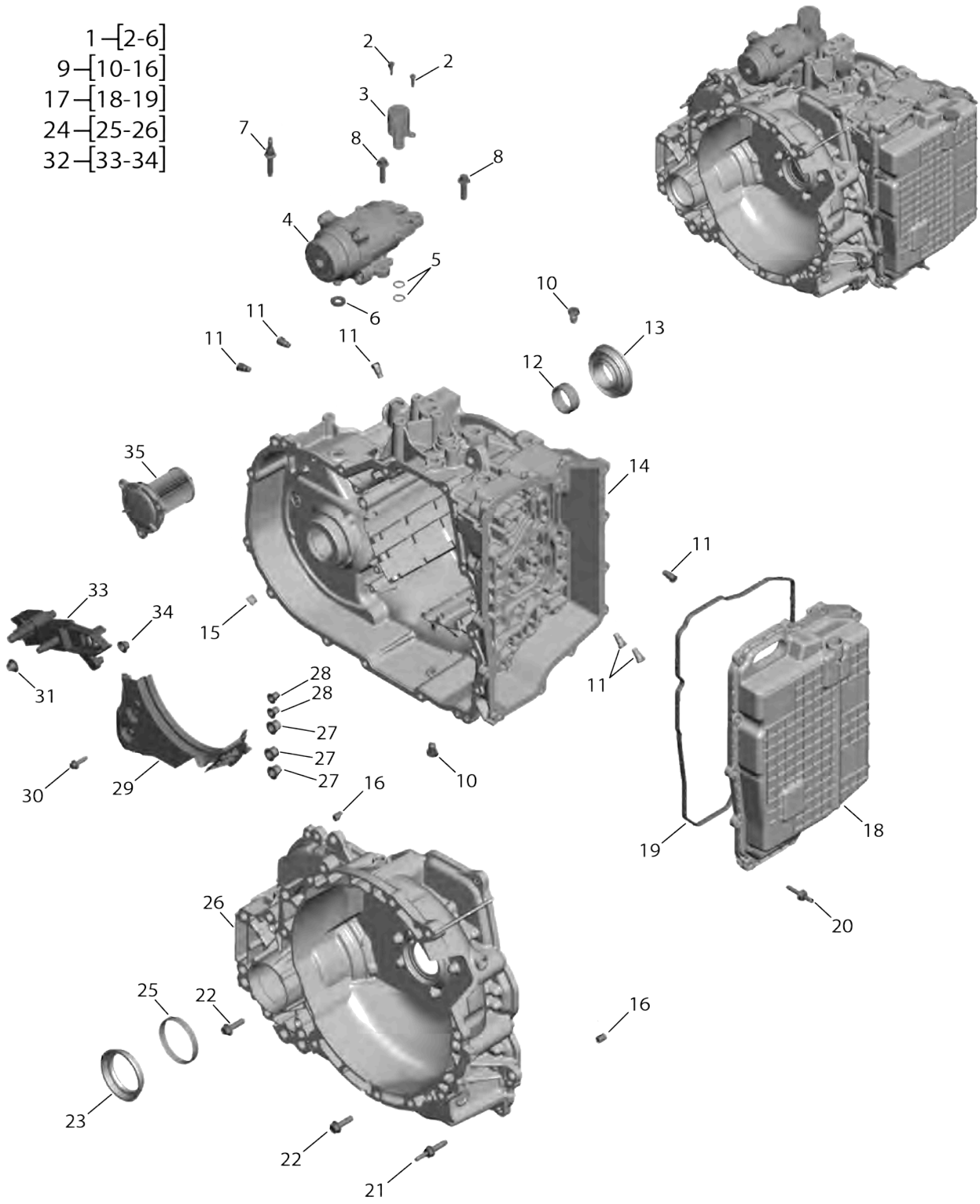


Table 91. TRANSMISSION EXTERNAL COMPONENTS FWD

Item Number	Part Number	Description	Quantity	Primary Source
1	U274ZA	ACUM-CTRL ASY,STSP, XMSN	1	Oshkosh Defense
2	U2753A	SCR,SOLENOID,SH CTRL,XMSN	2	Oshkosh Defense
3	U2752A	SOLENOID,SH CTRL, XMSN	1	Oshkosh Defense
4	JM5Z-7P184-B001	ACUM-CTRL,STSP,XMSN NOT PROCURABLE,MUST PURCHASE JM5Z-7P184-B	1	Oshkosh Defense
5	U2751A	SEAL,SL CTRL, VALVE, XMSN	2	Oshkosh Defense
6	U2750A	SEAL,RVS SH,ACUM, PST,XMSN	1	Oshkosh Defense
7	U2755A	STUD,FLG,HEX M8X30 M6X15 C8.8	1	Oshkosh Defense
8	U2754A	SCR,FLG,HEX M8X30 C8.8	2	Oshkosh Defense
9	U270VA	HSG ASSY,MAIN CASE,	1	Oshkosh Defense
10	U2710A	SCR,CAP,HEX M10-1.0X11 C8.8	1	Oshkosh Defense
11	U270YA	PLUG,FLUID,MAIN, CASE,XMSN	6	Oshkosh Defense
12	U270XA	BSHG,SLV,MAIN CASE, XMSN	1	Oshkosh Defense
13	U270WA	SEAL,WHL BRG,RR, XMSN	2	Oshkosh Defense
14	JM5Z-7005-G001	HSG,MAIN CASE,XMSN NOT PROCURABLE,MUST PURCHASE JM5Z-7005-G	1	Oshkosh Defense
15	U270ZA	PLUG,MAIN CASE,XMSN	1	Oshkosh Defense
16	U2711A	PIN,DWL,MAIN-CONV CASE,XMSN	2	Oshkosh Defense
17	U274WA	COVER ASSY,MAIN CTRL,XMSN	1	Oshkosh Defense
18	JM5Z-7G004-A001	COVER,MAIN CTRL, XMSN,NOT PROCURABLE,MUST PURCHASE JM5Z-7G004-A	1	Oshkosh Defense
19	U274XA	GSKT,COVER,MAIN CTRL,XMSN	1	Oshkosh Defense
20	U274YA	STUD,FLG,HEX M6X25 M6X15 C8.8	13	Oshkosh Defense
21	U273NA	STUD,FLG,HEX M8X30 M6X20 C8.8	5	Oshkosh Defense
22	U273MA	SCR,FLG,GM M8X30	9	Oshkosh Defense
23	U270TA	SEAL,DIFF,RH,XMSN	1	Oshkosh Defense
24	U270SA	HSG ASSY,CONVERTER, XMSN	1	Oshkosh Defense
25	JM5Z-7005-A002	BSHG,SLV,CONV HSG, XMSN,NOT PROCURABLE,MUST PURCHASE JM5Z-7005-A	1	Oshkosh Defense
26	JM5Z-7005-A001	HSG,CONVERTER,XMSN NOT PROCURABLE,MUST PURCHASE JM5Z-7005-A	1	Oshkosh Defense
27	U273FA	SEAL,OIL PMP,LG, XMSN	3	Oshkosh Defense
28	JM5Z-7N265-E	SEAL,OIL PMP,SM, XMSN	2	Oshkosh Defense
29	U2739A	BAF,OIL PAN,XMSN	1	Oshkosh Defense
30	U2716A	SCR,FLG,HEX M6X20 C8.8	5	Oshkosh Defense
31	U2712A	SEAL,HSG,OIL DSTR, XMSN	1	Oshkosh Defense
32	U273AA	SNBR ASSY,CHAIN DRIVE.XMSN	1	Oshkosh Defense
33	JM5Z-7J387-A001	RSVR,CHAIN DRIVE, XMSN,NOT PROCURABLE,MUST PURCHASE JM5Z-7J387-A	1	Oshkosh Defense
34	U2712A	SEAL,HSG,OIL DSTR, XMSN	1	Oshkosh Defense
35	U2738A	ELEM ASSY,OIL FILTER,XMSN	1	Oshkosh Defense

TRANSMISSION MODULE AND SENSORS AWD

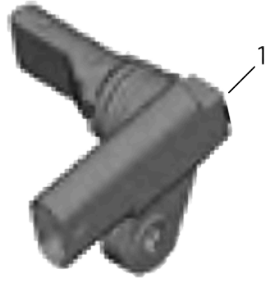


Table 92. TRANSMISSION MODULE AND SENSORS AWD

Item Number	Part Number	Description	Quantity	Primary Source
1	U273PA	SENSOR,SPEED,TRB SFT,XMSN	1	Oshkosh Defense
2	U273QA	SCR,FLG,HEX M6X20.5 C8.8	1	Oshkosh Defense

TRANSMISSION MODULE AND SENSORS FWD

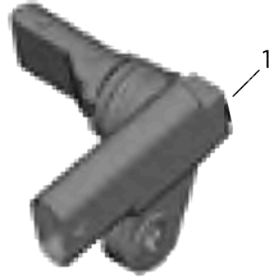


Table 93. TRANSMISSION MODULE AND SENSORS FWD

Item Number	Part Number	Description	Quantity	Primary Source
1	U273PA	SENSOR,SPEED,TRB SFT,XMSN	1	Oshkosh Defense
2	U273QA	SCR,FLG,HEX M6X20.5 C8.8	1	Oshkosh Defense

TRANSMISSION PUMP ASSEMBLY, AWD

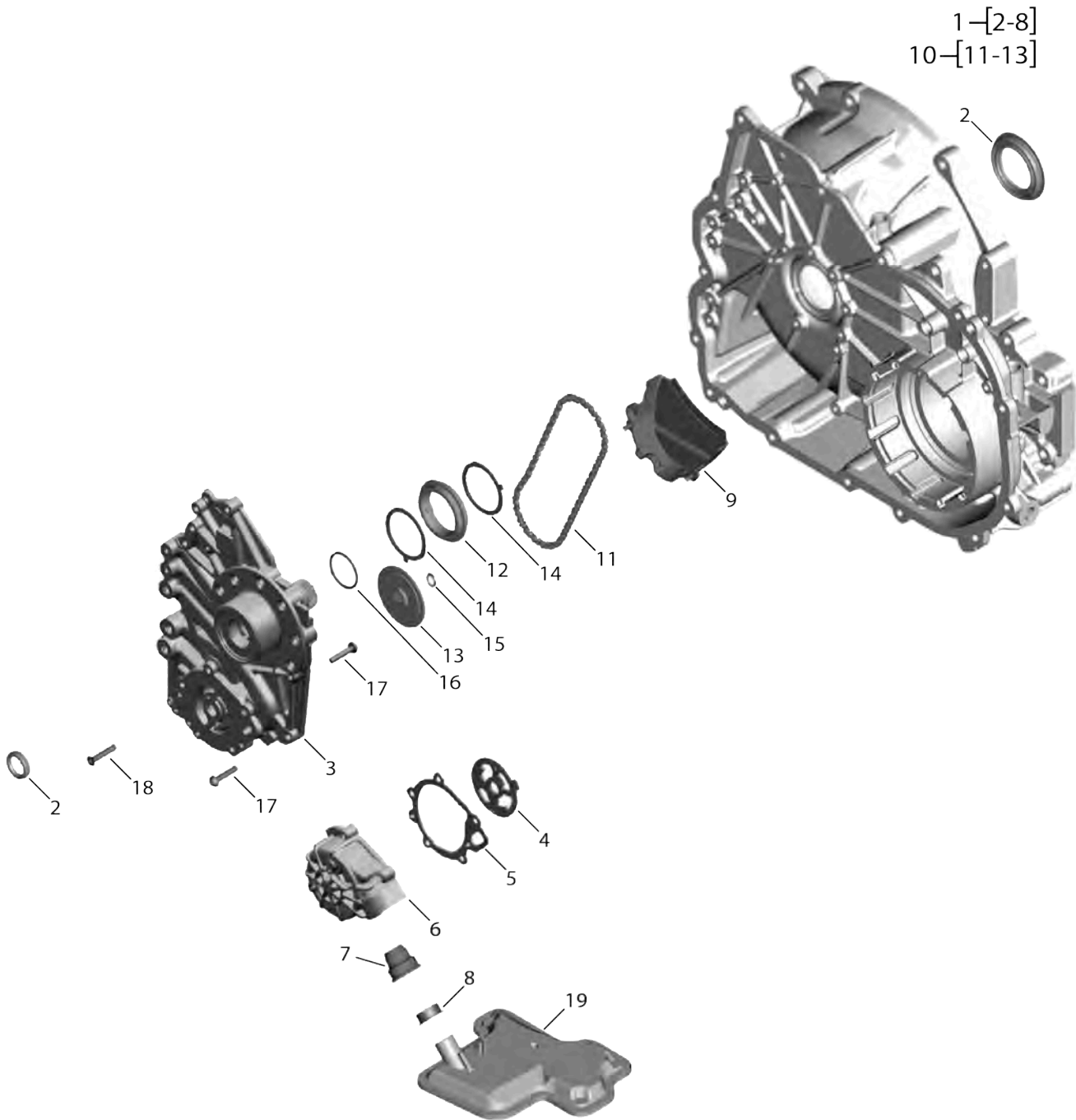


Table 94. TRANSMISSION PUMP ASSEMBLY, AWD

Item Number	Part Number	Description	Quantity	Primary Source
1	U270JA	PUMP ASSY,OIL,XMSN	1	Oshkosh Defense
2	JM5Z-7A103-D005	SEAL,OIL,INPUT SHFT NOT PROCURABLE,MUST PURCHASE JM5Z-7A103-D	1	Oshkosh Defense
3	JM5Z-7A103-D004	HSG,OIL PUMP,FR,XMS NOT PROCURABLE,MUST PURCHASE JM5Z-7A103-D	1	Oshkosh Defense
4	U270LA	SEAL,OIL PUMP,FR, XMSN	1	Oshkosh Defense
5	U270KA	GSKT,OIL PUMP,FR, XMSN	1	Oshkosh Defense
6	JM5Z-7A103-D001	PUMP,OIL,XMSN NOT PROCURABLE,MUST PURCHASE JM5Z-7A103-D	1	Oshkosh Defense
7	JM5Z-7A103-D003	BSHG,OIL PUMP,XMSN NOT PROCURABLE,MUST PURCHASE JM5Z-7A103-D	1	Oshkosh Defense
8	JM5Z-7A103-D002	SEAL,OIL PUMP,XMSN NOT PROCURABLE,MUST PURCHASE JM5Z-7A103-D	1	Oshkosh Defense
9	U270RA	CVR,OIL PMP,DR GR, XMSN	1	Oshkosh Defense
10	U270PA	SPRKT ASSY,XFER	1	Oshkosh Defense
11	JM5Z-7J263-A003	CHAIN,XFR PMP,XMSN NOT PROCURABLE,MUST PURCHASE JM5Z-7J263-A	1	Oshkosh Defense
12	JM5Z-7J263-A002	SPRKT,CHAIN,DRIVEN, NOT PROCURABLE,MUST PURCHASE JM5Z-7J263-A	1	Oshkosh Defense
13	JM5Z-7J263-A001	SPRKT,CHAIN,DRIVE, NOT PROCURABLE,MUST PURCHASE JM5Z-7J263-A	1	Oshkosh Defense
14	U270NA	WASH,BRG,CTR SHFT, RR,XMSN	2	Oshkosh Defense
15	U270QA	RING,EXT 10.9 SGL, EYE,XMSN	1	Oshkosh Defense
16	U270MA	SEAL,TRB SHFT,RR, XMSN	1	Oshkosh Defense
17	U2714A	SCR,RND,TRX M6X32 C8.8	14	Oshkosh Defense
18	U2713A	SCR,RND,TRX M6X35 C8.8	7	Oshkosh Defense
19	JM5Z-7A098-A	FILTER-SEAL ASSY, OIL,XMSN	1	Oshkosh Defense

TRANSMISSION PUMP ASSEMBLY, FWD

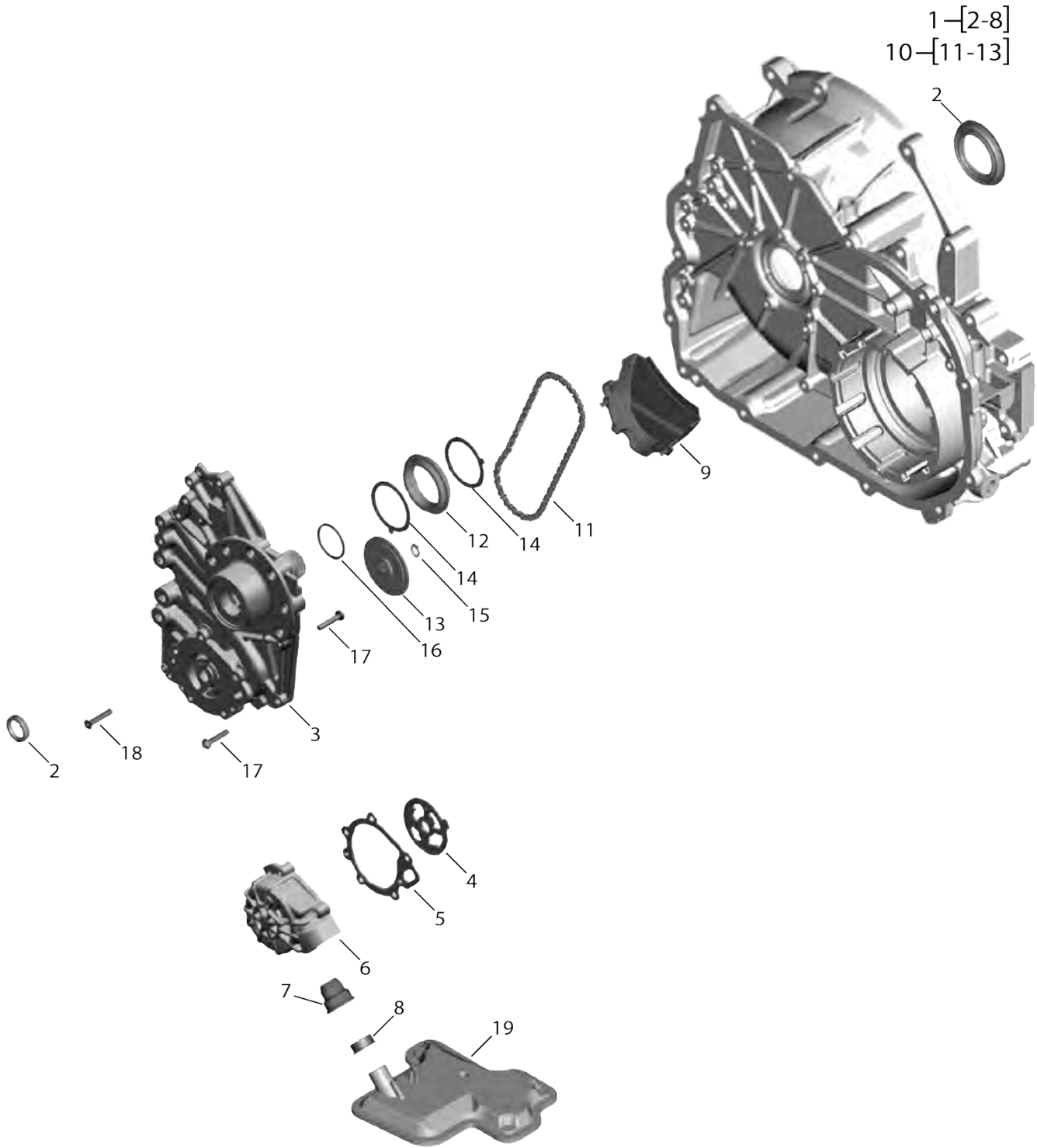


Table 95. TRANSMISSION PUMP ASSEMBLY, FWD

Item Number	Part Number	Description	Quantity	Primary Source
1	U270JA	PUMP ASSY,OIL,XMSN	1	Oshkosh Defense
2	JM5Z-7A103-D005	SEAL,OIL,INPUT SHFT NOT PROCURABLE,MUST PURCHASE JM5Z-7A103-D	1	Oshkosh Defense
3	JM5Z-7A103-D004	HSG,OIL PUMP,FR,XMS NOT PROCURABLE,MUST PURCHASE JM5Z-7A103-D	1	Oshkosh Defense
4	U270LA	SEAL,OIL PUMP,FR, XMSN	1	Oshkosh Defense
5	U270KA	GSKT,OIL PUMP,FR, XMSN	1	Oshkosh Defense
6	JM5Z-7A103-D001	PUMP,OIL,XMSN NOT PROCURABLE,MUST PURCHASE JM5Z-7A103-D	1	Oshkosh Defense
7	JM5Z-7A103-D003	BSHG,OIL PUMP,XMSN NOT PROCURABLE,MUST PURCHASE JM5Z-7A103-D	1	Oshkosh Defense
8	JM5Z-7A103-D002	SEAL,OIL PUMP,XMSN NOT PROCURABLE,MUST PURCHASE JM5Z-7A103-D	1	Oshkosh Defense
9	U270RA	CVR,OIL PMP,DR GR, XMSN	1	Oshkosh Defense
10	U270PA	SPRKT ASSY,XFER	1	Oshkosh Defense
11	JM5Z-7J263-A003	CHAIN,XFR PMP,XMSN NOT PROCURABLE,MUST PURCHASE JM5Z-7J263-A	1	Oshkosh Defense
12	JM5Z-7J263-A002	SPRKT,CHAIN,DRIVEN, NOT PROCURABLE,MUST PURCHASE JM5Z-7J263-A	1	Oshkosh Defense
13	JM5Z-7J263-A001	SPRKT,CHAIN,DRIVE, NOT PROCURABLE,MUST PURCHASE JM5Z-7J263-A	1	Oshkosh Defense
14	U270NA	WASH,BRG,CTR SHFT, RR,XMSN	2	Oshkosh Defense
15	U270QA	RING,EXT 10.9 SGL, EYE,XMSN	1	Oshkosh Defense
16	U270MA	SEAL,TRB SHFT,RR, XMSN	1	Oshkosh Defense
17	U2714A	SCR,RND,TRX M6X32 C8.8	14	Oshkosh Defense
18	U2713A	SCR,RND,TRX M6X35 C8.8	7	Oshkosh Defense
19	JM5Z-7A098-A	FILTER-SEAL ASSY, OIL,XMSN	1	Oshkosh Defense

CHAIN DRIVE, AWD

2-[3-4]

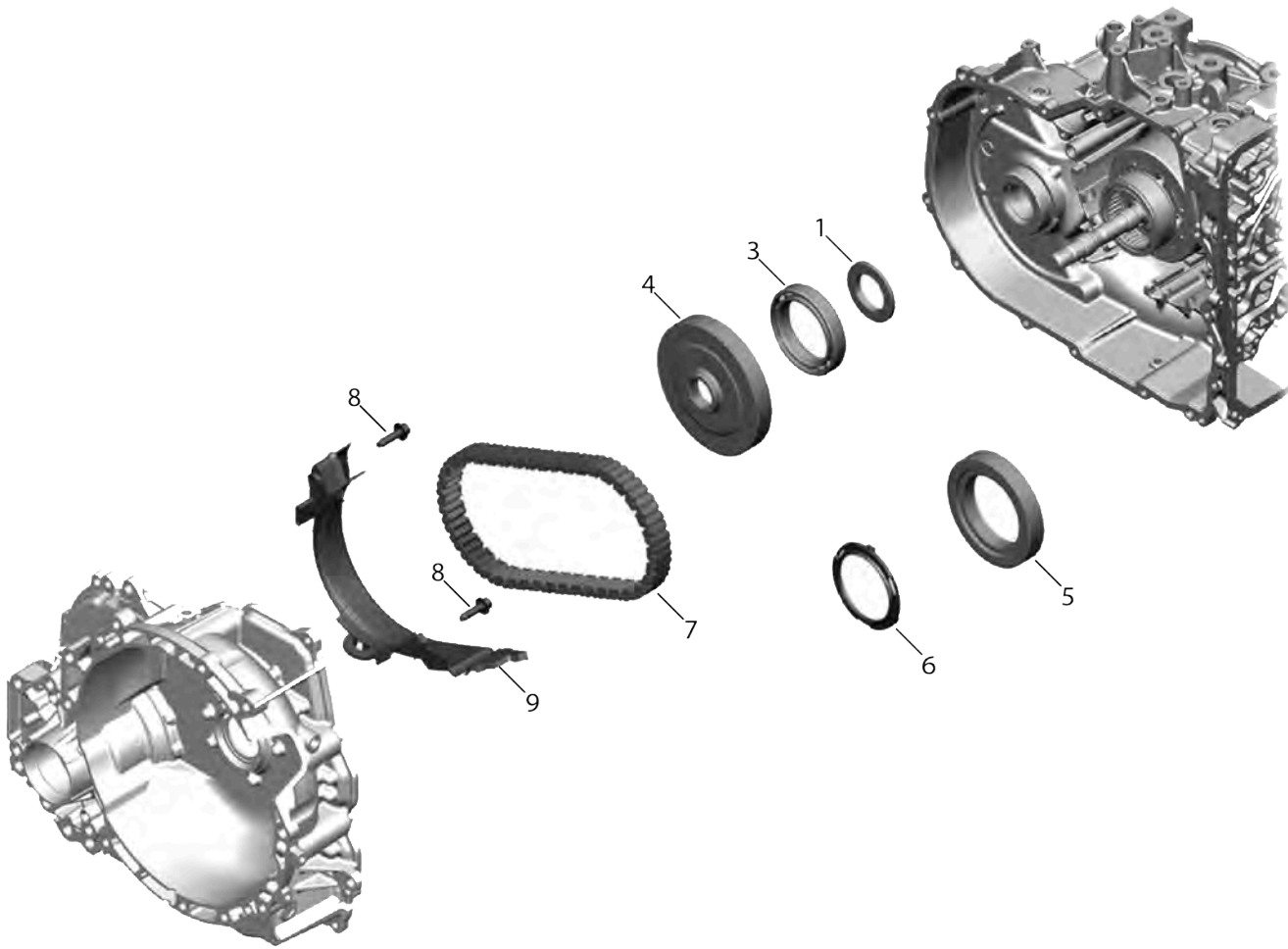


Table 96. CHAIN DRIVE AWD

Item Number	Part Number	Description	Quantity	Primary Source
1	U2736A	BRG,DRVN SPRKT,INR, XMSN	1	Oshkosh Defense
2	U273KA	SPRKT ASSY,DRIVEN, XMSN	1	Oshkosh Defense
3	JM5Z-7G132-B001	SPRKT,DRIVEN,XMSN NOT PROCURABLE,MUST PURCHASE U273KA	1	Oshkosh Defense
4	JM5Z-7G132-B002	BRG,SPRKT,DRIVEN, XMSN,NOT PROCURABLE,MUST PURCHASE U273KA	1	Oshkosh Defense
5	U273HA	SPRKT,DRV,XMSN	1	Oshkosh Defense
6	U273JA	WASH,THR,DRV SPRKT, XMSN	1	Oshkosh Defense
7	U273LA	CHAIN,DRIVE,XMSN	1	Oshkosh Defense
8	U2716A	SCR,FLG,HEX M6X20 C8.8	5	Oshkosh Defense
9	U2715A	PAN,CHN CVR,FL BAF, XMSN	1	Oshkosh Defense

CHAIN DRIVE FWD

2-[3-4]

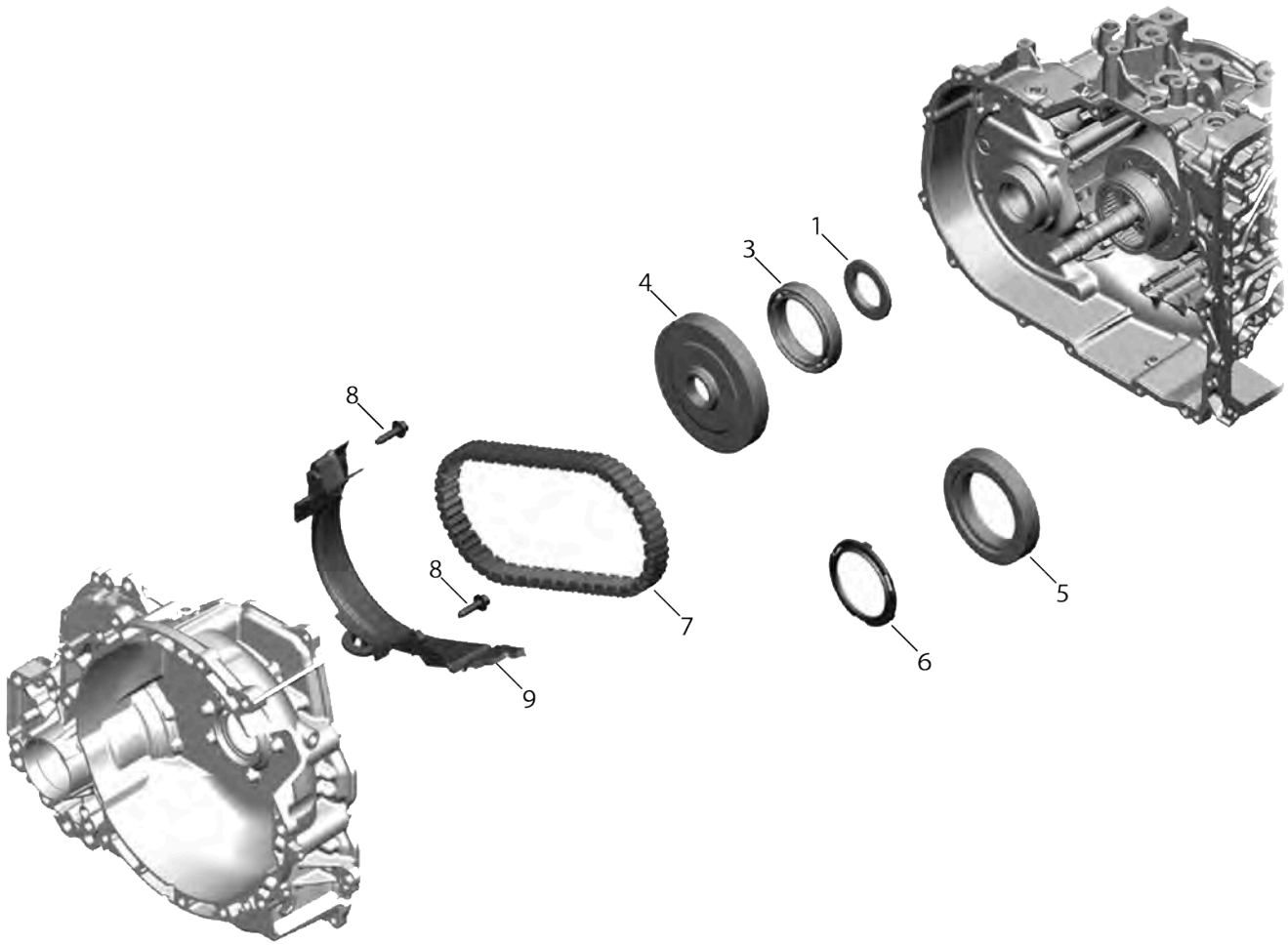


Table 97. CHAIN DRIVE FWD

Item Number	Part Number	Description	Quantity	Primary Source
1	U2736A	BRG,DRVN SPRKT,INR, XMSN	1	Oshkosh Defense
2	U273KA	SPRKT ASSY,DRIVEN, XMSN	1	Oshkosh Defense
3	JM5Z-7G132-B001	SPRKT,DRIVEN,XMSN NOT PROCURABLE,MUST PURCHASE U273KA	1	Oshkosh Defense
4	JM5Z-7G132-B002	BRG,SPRKT,DRIVEN, XMSN,NOT PROCURABLE,MUST PURCHASE U273KA	1	Oshkosh Defense
5	U273HA	SPRKT,DRV,XMSN	1	Oshkosh Defense
6	U273JA	WASH,THR,DRV SPRKT, XMSN	1	Oshkosh Defense
7	U273LA	CHAIN,DRIVE,XMSN	1	Oshkosh Defense
8	U2716A	SCR,FLG,HEX M6X20 C8.8	5	Oshkosh Defense
9	U2715A	PAN,CHN CVR,FL BAF, XMSN	1	Oshkosh Defense

TRANSMISSION CONTROL MECHANISMS AWD

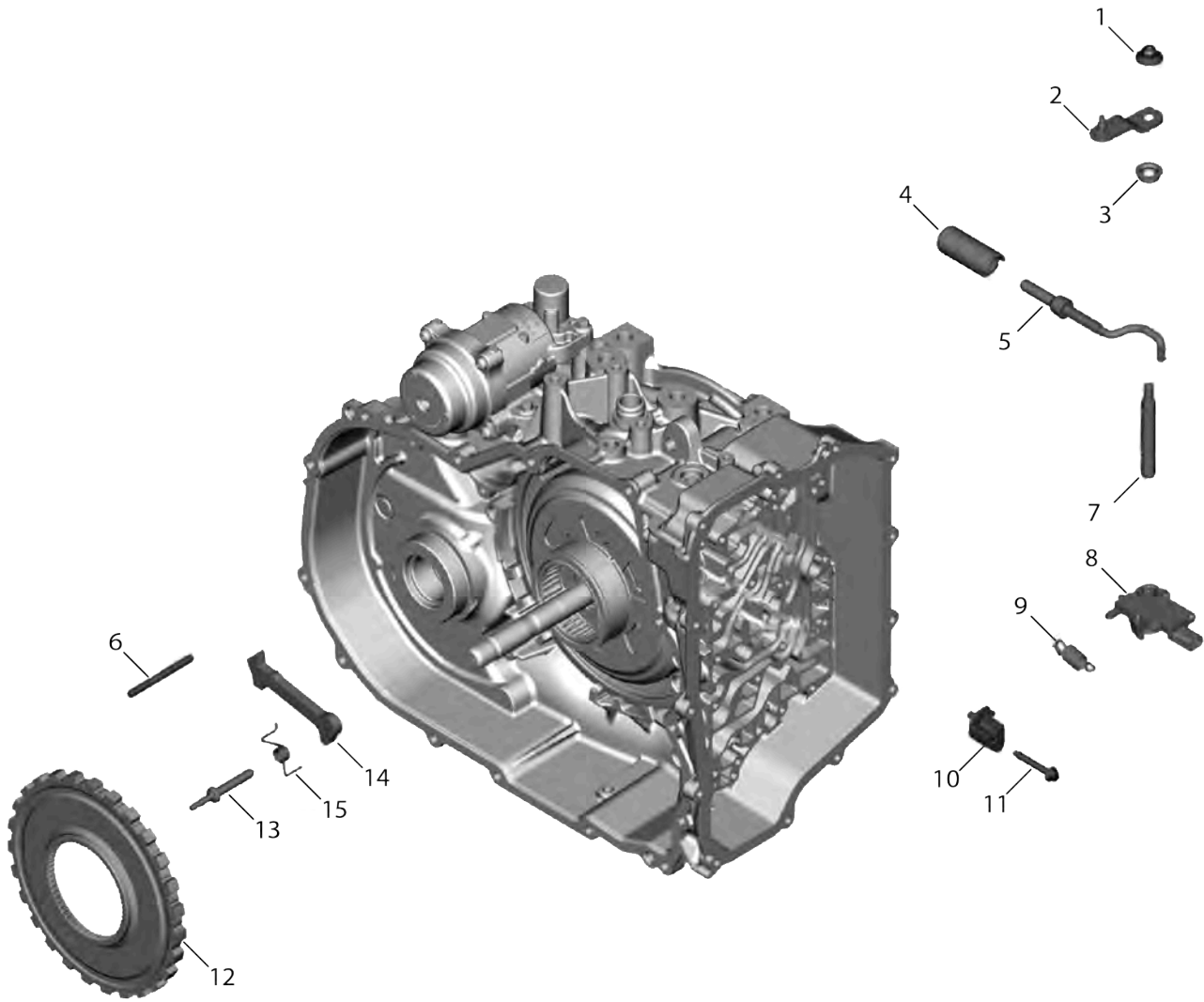


Table 98. TRANSMISSION CONTROL MECHANISMS AWD

Item Number	Part Number	Description	Quantity	Primary Source
1	U273XA	NUT,FLG,HEX M8 C8.8	1	Oshkosh Defense
2	U273WA	LVR,MNL CTRL,XMSN	1	Oshkosh Defense
3	U272LA	SEAL,SFT LVR,THROT CTRL,XMSN	1	Oshkosh Defense
4	U272KA	PLATE,GID,PRK ROD, XMSN	1	Oshkosh Defense
5	U275AA	ROD,PARKING PAWL	1	Oshkosh Defense
6	U272JA	PIN,RET,CASE,XMSN	1	Oshkosh Defense
7	U273VA	SFT,MAN CTRL LVR, XMSN	1	Oshkosh Defense
8	U273UA	SENSOR,DTNT,XMSN	1	Oshkosh Defense
9	U274UA	SPR,PRK BY WIRE, XMSN	1	Oshkosh Defense
10	U274TA	BRKT,PRK WIRE,XMSN	1	Oshkosh Defense
11	U274VA	SCR,FLG,HEX M6-1.0X40	1	Oshkosh Defense
12	U273GA	GR,PRKG,XMSN	1	Oshkosh Defense
13	U273DA	SFT,PRKG PAWL,XMSN	1	Oshkosh Defense
14	U273BA	PAWL,PRKG BK,XMSN	1	Oshkosh Defense
15	U273CA	SPR,RTN,PRKG PAWL, XMSN	1	Oshkosh Defense

TRANSMISSION CONTROL MECHANISMS FWD

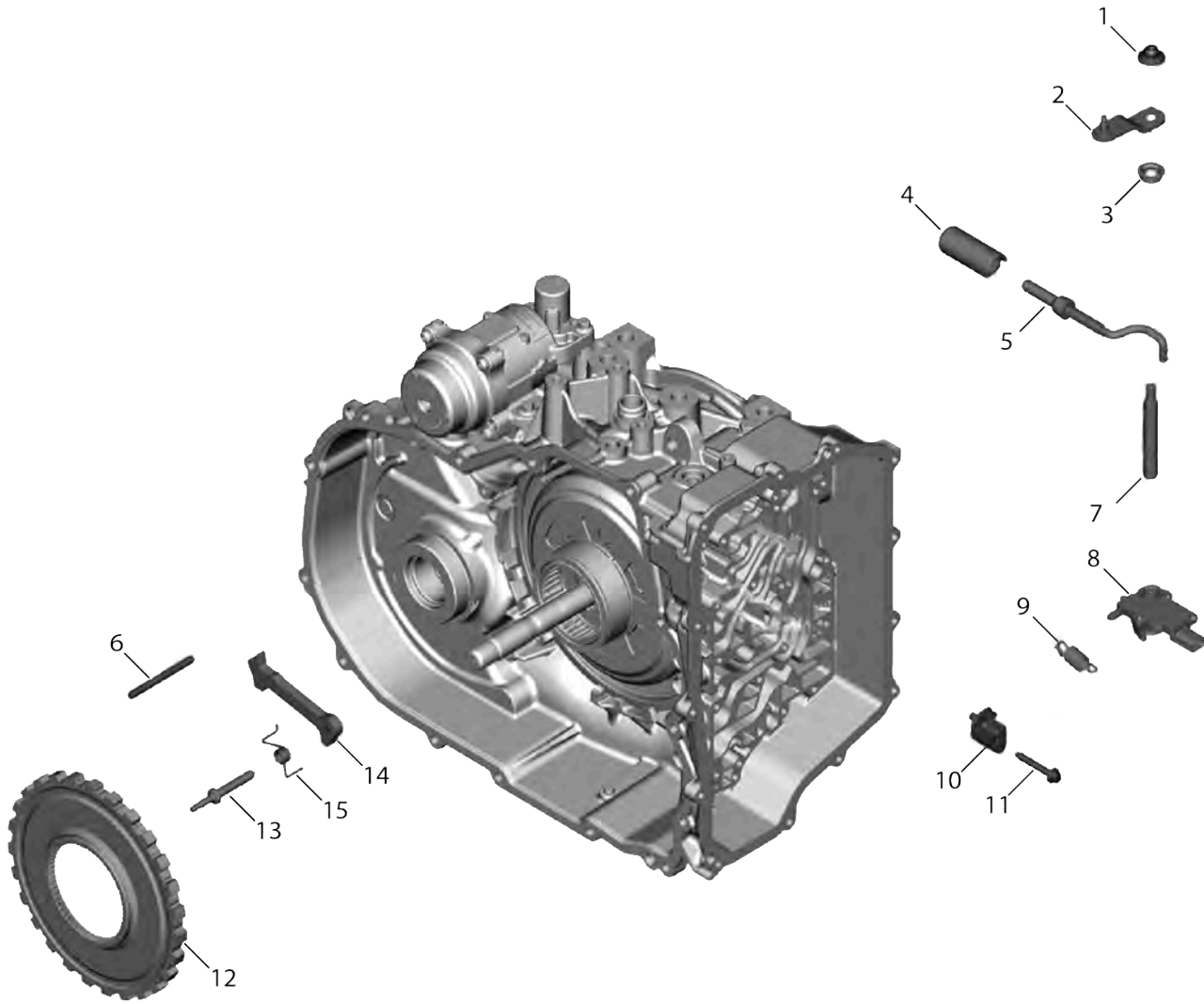
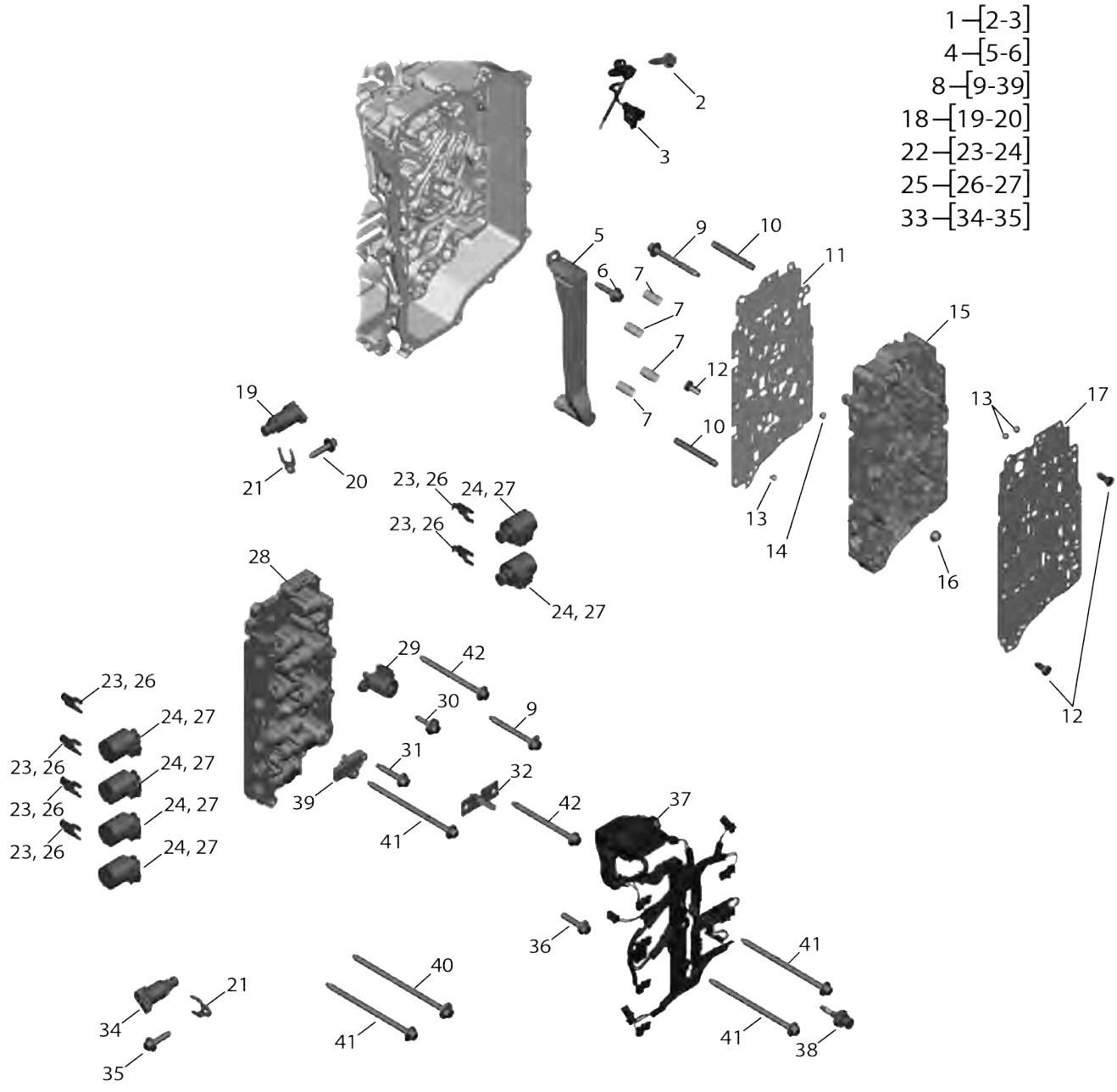


Table 99. TRANSMISSION CONTROL MECHANISMS FWD

Item Number	Part Number	Description	Quantity	Primary Source
1	U273XA	NUT,FLG,HEX M8 C8.8	1	Oshkosh Defense
2	U273WA	LVR,MNL CTRL,XMSN	1	Oshkosh Defense
3	U272LA	SEAL,SFT LVR,THROT CTRL,XMSN	1	Oshkosh Defense
4	U272KA	PLATE,GID,PRK ROD, XMSN	1	Oshkosh Defense
5	U275AA	ROD,PARKING PAWL	1	Oshkosh Defense
6	U272JA	PIN,RET,CASE,XMSN	1	Oshkosh Defense
7	U273VA	SFT,MAN CTRL LVR, XMSN	1	Oshkosh Defense
8	U273UA	SENSOR,DTNT,XMSN	1	Oshkosh Defense
9	U274UA	SPR,PRK BY WIRE, XMSN	1	Oshkosh Defense
10	U274TA	BRKT,PRK WIRE,XMSN	1	Oshkosh Defense
11	U274VA	SCR,FLG,HEX M6-1.0X40	1	Oshkosh Defense
12	U273GA	GR,PRKG,XMSN	1	Oshkosh Defense
13	U273DA	SFT,PRKG PAWL,XMSN	1	Oshkosh Defense
14	U273BA	PAWL,PRKG BK,XMSN	1	Oshkosh Defense
15	U273CA	SPR,RTN,PRKG PAWL, XMSN	1	Oshkosh Defense

VALVE BODY AND MAIN CONTROL AWD

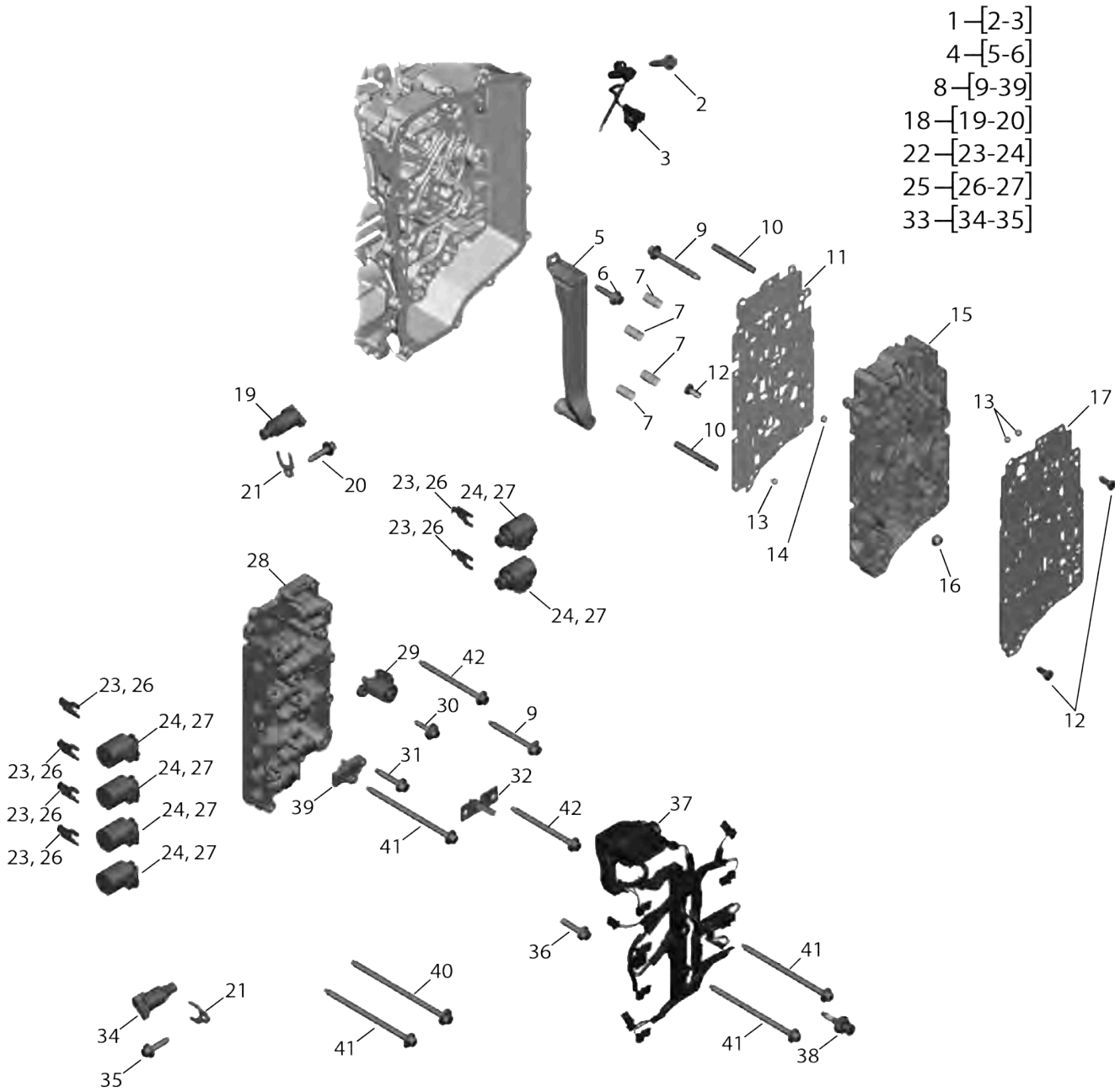


- 1-[2-3]
- 4-[5-6]
- 8-[9-39]
- 18-[19-20]
- 22-[23-24]
- 25-[26-27]
- 33-[34-35]

Table 100. VALVE BODY AND MAIN CONTROL AWD

Item Number	Part Number	Description	Quantity	Primary Source
1	U273RA	SENSOR ASSY,ENGINE SPEED,XMSN	1	Oshkosh Defense
2	JM5Z-7H103-B002	SCR,FLG,HEX M6X22 C8.8,NOT PROCURABLE,MUST PURCHASE JM5Z-7H103-B	1	Oshkosh Defense
3	JM5Z-7H103-B001	SENSOR,ENGINE SPEED NOT PROCURABLE,MUST PURCHASE JM5Z-7H103-B	1	Oshkosh Defense
4	U273SA	VALVE ASSY,CTRL, XMSN	1	Oshkosh Defense
5	JM5Z-7312-A001	VALVE,CTRL,XMSN NOT PROCURABLE,MUST PURCHASE JM5Z-7312-A	1	Oshkosh Defense
6	U2716A	SCR,FLG,HEX M6X20 C8.8	1	Oshkosh Defense
7	U273TA	SEAL,CTR SPRT,XMSN	4	Oshkosh Defense
8	U273YA	CTRL ASSY,MAIN,XMSN	1	Oshkosh Defense
9	U2741A	SCR,FLG,HEX M6X50 C8.8	2	Oshkosh Defense
10	U2740A	PIN,SPR 6X50	2	Oshkosh Defense
11	U273ZA	PLATE,MN CTRL,VLV	1	Oshkosh Defense
12	U2742A	PUSHPIN,PSHN 5X2.5X7 PL	3	Oshkosh Defense
13	U2743A	BALL,VALVE,COSTG BST,XMSN	3	Oshkosh Defense
14	U2744A	BALL,VALVE,COSTG BST,XMSN 6.3	1	Oshkosh Defense
15	JM5Z-7A100-D001	VALVE BODY,CTRL, XMSN,NOT PROCURABLE,MUST PURCHASE JM5Z-7A100-D	1	Oshkosh Defense
16	U2745A	BALL,VALVE,COSTG BST,XMSN 9.5	1	Oshkosh Defense
17	U2746A	PLATE,CTRL,VALVE BODY,SEP,XMSN	1	Oshkosh Defense
18	U2747A	SOL ASSY,TCC,1,MN CTRL,XMSN	00V	Oshkosh Defense
19	HL3Z-7G136-H001	SOLENOID,TCC,1,MN CTRL,XMSN,NOT PROCURABLE, MUST PURCHASE HL3Z-7G136-H	1	Oshkosh Defense
20	U2748A	SCR,FLG,HEX M6X20 C8.8	1	Oshkosh Defense
21	JM5Z-7A100-D004	CLIP,MTG,SOLENOID NOT PROCURABLE,MUST PURCHASE JM5Z-7A100-D	2	Oshkosh Defense
22	HL3Z-7G136-Q	SOL ASSY,CLUTCH,2, MN CTRL,XMSN	00V	Oshkosh Defense
23	U274FA	RETAINER,SOL,CL,MN CTRL,XMSN	6	Oshkosh Defense
24	HL3Z-7G136-Q001	SOLENOID,CLUTCH,2, MN CTRL,XMSN,NOT PROCURABLE,MUST PURCHASE HL3Z-7G136-Q	6	Oshkosh Defense
25	HL3Z-7G136-R	SOL ASSY,CLUTCH,3, MN CTRL,XMSN	00V	Oshkosh Defense
26	U274FA	RETAINER,SOL,CL,MN CTRL,XMSN	6	Oshkosh Defense
27	HL3Z-7G136-R001	SOL ASSY,CLUTCH,3, MN CTRL,XMSN,NOT PROCURABLE,MUST PURCHASE HL3Z-7G136-R	6	Oshkosh Defense
28	JM5Z-7A100-D002	SOLENOID,CTRL,XMSN NOT PROCURABLE,MUST PURCHASE JM5Z-7A100-D	1	Oshkosh Defense
29	U274HA	SOLENOID,SH CTRL, XMSN	1	Oshkosh Defense
30	U274JA	SCR,WASH,HEX M5X21 C8.8	2	Oshkosh Defense
31	U274LA	SCR,FLG,HEX M6X27 C8.8	1	Oshkosh Defense
32	U274MA	SENSOR,OIL TEMP, XMSN	1	Oshkosh Defense
33	U274CA	SOL ASSY,LPC,2,MN CTRL,XMSN	00V	Oshkosh Defense
34	HL3Z-7G383-N001	SOLENOID,LPC,2,MN CTRL,XMSN,NOT PROCURABLE, MUST PURCHASE HL3Z-7G383-N	1	Oshkosh Defense
35	U2748A	SCR,FLG,HEX M6X20 C8.8	1	Oshkosh Defense
36	JM5Z-7A100-D006	SCR,WIRE HARN,MN CTRL,XMSN,NOT PROCURABLE, MUST PURCHASE JM5Z-7A100-D	2	Oshkosh Defense
37	U274NA	WIRE HARN,MN CTRL, XMSN	1	Oshkosh Defense
38	U274PA	SCR,FLG,HEX,NY M6X20 C10.9	1	Oshkosh Defense
39	U274KA	SDR ASY,OIL PRESS, XMSN	1	Oshkosh Defense
40	U274SA	SCR,FLG,TEE M6X115 C8.8	1	Oshkosh Defense
41	U274RA	SCR,FLG,TEE M6X100.5 C8.8	9	Oshkosh Defense
42	U274QA	SCR,FLG,TEE M6X75.5 C8.8	12	Oshkosh Defense

VALVE BODY AND MAIN CONTROL FWD



- 1-[2-3]
- 4-[5-6]
- 8-[9-39]
- 18-[19-20]
- 22-[23-24]
- 25-[26-27]
- 33-[34-35]

Table 101. VALVE BODY AND MAIN CONTROL FWD

Item Number	Part Number	Description	Quantity	Primary Source
1	U273RA	SENSOR ASSY,ENGINE SPEED,XMSN	1	Oshkosh Defense
2	JM5Z-7H103-B002	SCR,FLG,HEX M6X22 C8.8,NOT PROCURABLE,MUST PURCHASE JM5Z-7H103-B	1	Oshkosh Defense
3	JM5Z-7H103-B001	SENSOR,ENGINE SPEED NOT PROCURABLE,MUST PURCHASE JM5Z-7H103-B	1	Oshkosh Defense
4	U273SA	VALVE ASSY,CTRL, XMSN	1	Oshkosh Defense
5	JM5Z-7312-A001	VALVE,CTRL,XMSN NOT PROCURABLE,MUST PURCHASE JM5Z-7312-A	1	Oshkosh Defense
6	U2716A	SCR,FLG,HEX M6X20 C8.8	1	Oshkosh Defense
7	U273TA	SEAL,CTR SPRT,XMSN	4	Oshkosh Defense
8	U273YA	CTRL ASSY,MAIN,XMSN	1	Oshkosh Defense
9	U2741A	SCR,FLG,HEX M6X50 C8.8	2	Oshkosh Defense
10	U2740A	PIN,SPR 6X50	2	Oshkosh Defense
11	U273ZA	PLATE,MN CTRL,VLV	1	Oshkosh Defense
12	U2742A	PUSHPIN,PSHN 5X2.5X7 PL	3	Oshkosh Defense
13	U2743A	BALL,VALVE,COSTG BST,XMSN	3	Oshkosh Defense
14	U2744A	BALL,VALVE,COSTG BST,XMSN 6.3	1	Oshkosh Defense
15	JM5Z-7A100-D001	VALVE BODY,CTRL, XMSN,NOT PROCURABLE,MUST PURCHASE JM5Z-7A100-D	1	Oshkosh Defense
16	U2745A	BALL,VALVE,COSTG BST,XMSN 9.5	1	Oshkosh Defense
17	U2746A	PLATE,CTRL,VALVE BODY,SEP,XMSN	1	Oshkosh Defense
18	U2747A	SOL ASSY,TCC,1,MN CTRL,XMSN	00V	Oshkosh Defense
19	HL3Z-7G136-H001	SOLENOID,TCC,1,MN CTRL,XMSN,NOT PROCURABLE,MUST PURCHASE HL3Z-7G136-H	1	Oshkosh Defense
20	U2748A	SCR,FLG,HEX M6X20 C8.8	1	Oshkosh Defense
21	JM5Z-7A100-D004	CLIP,MTG,SOLENOID NOT PROCURABLE,MUST PURCHASE JM5Z-7A100-D	2	Oshkosh Defense
22	HL3Z-7G136-Q	SOL ASSY,CLUTCH,2, MN CTRL,XMSN	00V	Oshkosh Defense
23	U274FA	RETAINER,SOL,CL,MN CTRL,XMSN	6	Oshkosh Defense
24	HL3Z-7G136-Q001	SOLENOID,CLUTCH,2, MN CTRL,XMSN,NOT PROCURABLE,MUST PURCHASE HL3Z-7G136-Q	6	Oshkosh Defense
25	HL3Z-7G136-R	SOL ASSY,CLUTCH,3, MN CTRL,XMSN	00V	Oshkosh Defense
26	U274FA	RETAINER,SOL,CL,MN CTRL,XMSN	6	Oshkosh Defense
27	HL3Z-7G136-R001	SOL ASSY,CLUTCH,3, MN CTRL,XMSN,NOT PROCURABLE,MUST PURCHASE HL3Z-7G136-R	6	Oshkosh Defense
28	JM5Z-7A100-D002	SOLENOID,CTRL,XMSN NOT PROCURABLE,MUST PURCHASE JM5Z-7A100-D	1	Oshkosh Defense
29	U274HA	SOLENOID,SH CTRL, XMSN	1	Oshkosh Defense
30	U274JA	SCR,WASH,HEX M5X21 C8.8	2	Oshkosh Defense
31	U274LA	SCR,FLG,HEX M6X27 C8.8	1	Oshkosh Defense
32	U274MA	SENSOR,OIL TEMP, XMSN	1	Oshkosh Defense
33	U274CA	SOL ASSY,LPC,2,MN CTRL,XMSN	00V	Oshkosh Defense
34	HL3Z-7G383-N001	SOLENOID,LPC,2,MN CTRL,XMSN,NOT PROCURABLE,MUST PURCHASE HL3Z-7G383-N	1	Oshkosh Defense
35	U2748A	SCR,FLG,HEX M6X20 C8.8	1	Oshkosh Defense
36	JM5Z-7A100-D006	SCR,WIRE HARN,MN CTRL,XMSN,NOT PROCURABLE,MUST PURCHASE JM5Z-7A100-D	2	Oshkosh Defense
37	U274NA	WIRE HARN,MN CTRL, XMSN	1	Oshkosh Defense
38	U274PA	SCR,FLG,HEX,NY M6X20 C10.9	1	Oshkosh Defense
39	U274KA	SDR ASY,OIL PRESS, XMSN	1	Oshkosh Defense
40	U274SA	SCR,FLG,TEE M6X115 C8.8	1	Oshkosh Defense
41	U274RA	SCR,FLG,TEE M6X100.5 C8.8	9	Oshkosh Defense
42	U274QA	SCR,FLG,TEE M6X75.5 C8.8	12	Oshkosh Defense

CONVERTER AWD

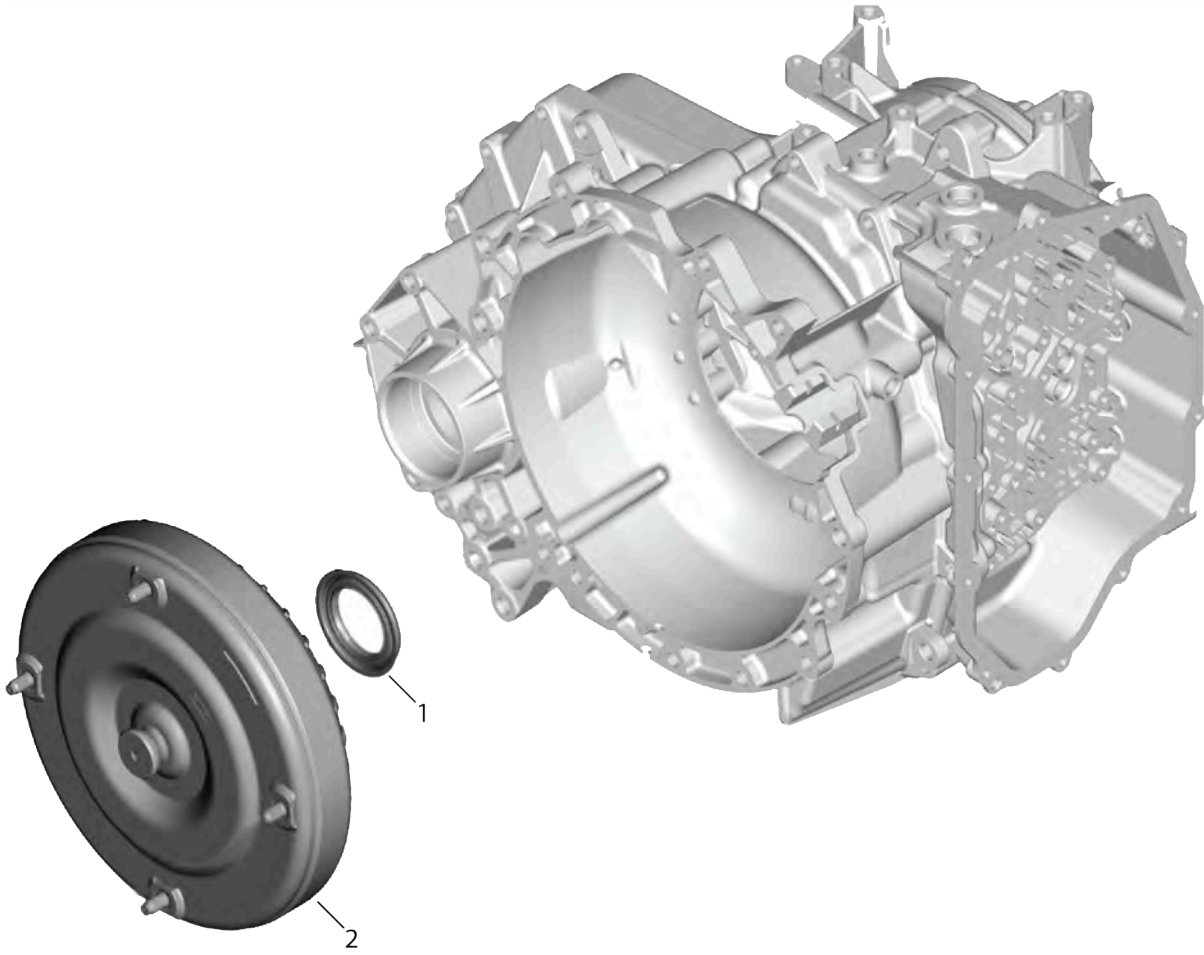


Table 102. CONVERTER AWD

Item Number	Part Number	Description	Quantity	Primary Source
1	U270UA	PLUG,SEAL,OIL PMP, FR,XMSN	1	Oshkosh Defense
2	U2756A	CONVERTER,2.0L GDTI,XMSN	1	Oshkosh Defense

CONVERTER FWD

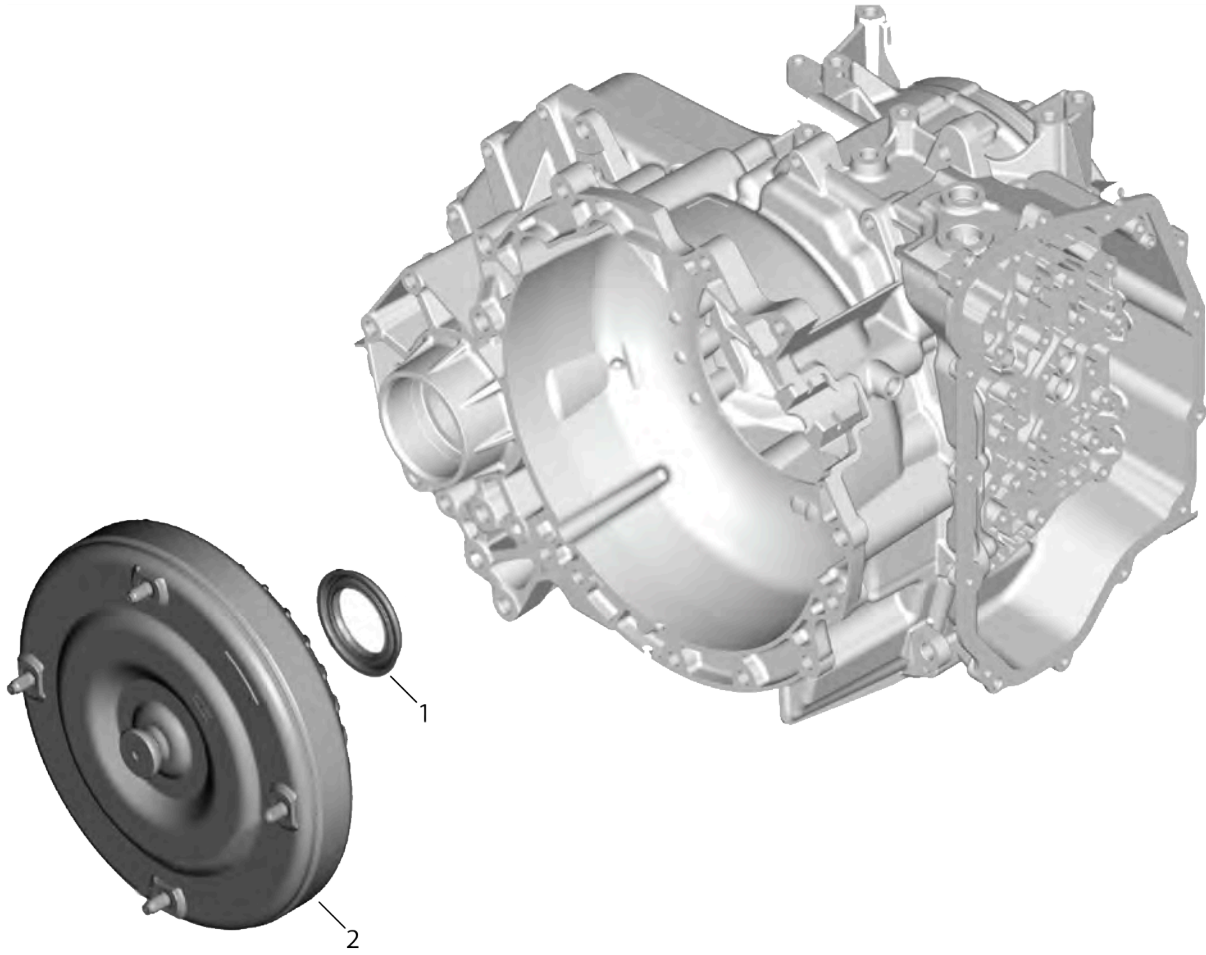


Table 103. CONVERTER FWD

Item Number	Part Number	Description	Quantity	Primary Source
1	U270UA	PLUG,SEAL,OIL PMP, FR,XMSN	1	Oshkosh Defense
2	U2756A	CONVERTER,2.0L GDTI,XMSN	1	Oshkosh Defense

AUTOMATIC TRANSAXLE AWD

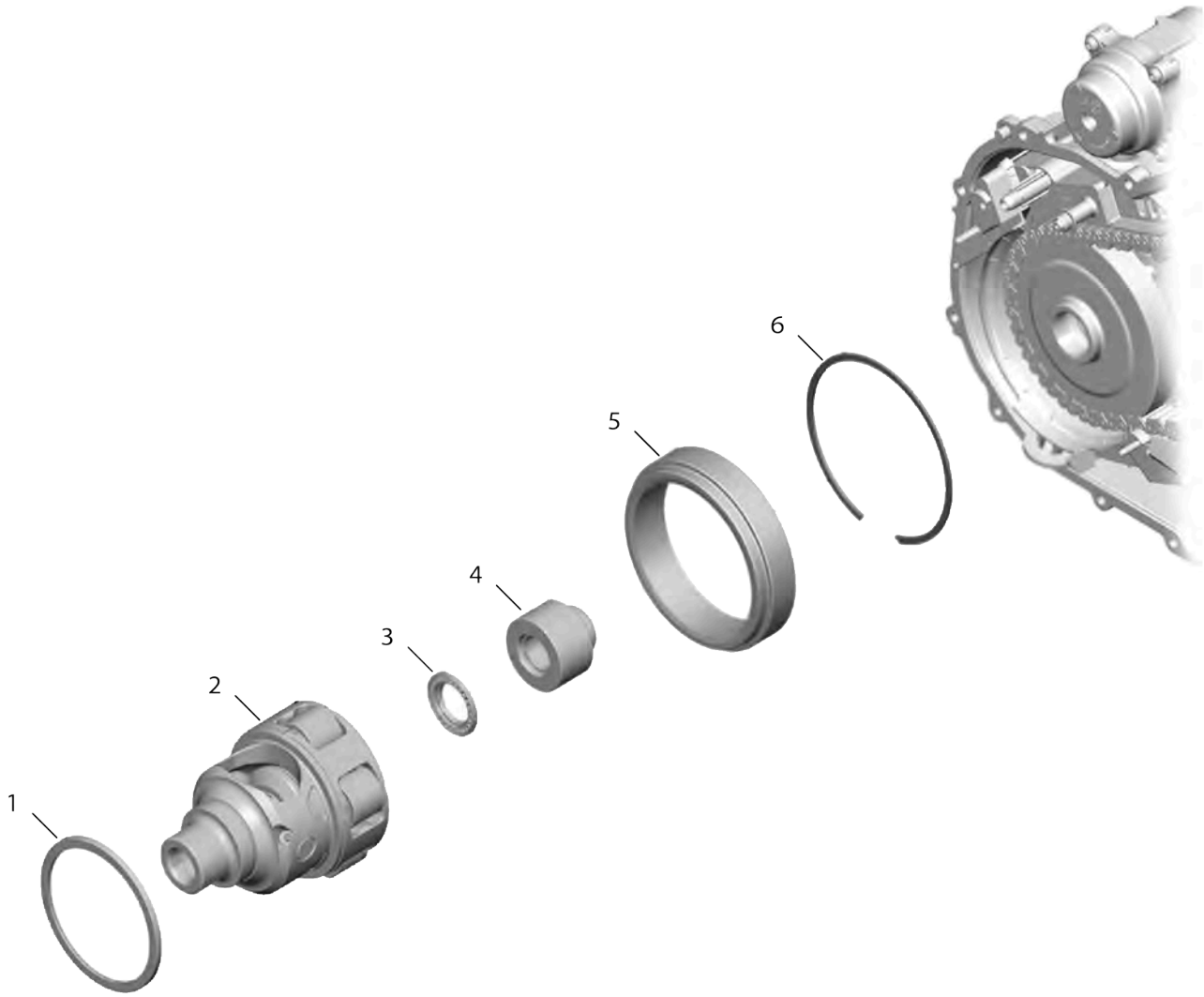


Table 104. AUTOMATIC TRANSAXLE AWD

Item Number	Part Number	Description	Quantity	Primary Source
1	U275LA	BRG,GEAR,FNL DR,RR, XMSN	1	Oshkosh Defense
2	U275PA	GR,DIFF,XMSN	1	Oshkosh Defense
3	U275NA	BRG,THR,DIFF CARR, XMSN	1	Oshkosh Defense
4	U275MA	GR,SUN,FNL DRV,XMSN	1	Oshkosh Defense
5	U275JA	GEAR,RING,DIFF,XMSN	1	Oshkosh Defense
6	U275KA	RING,RET,RING GEAR, XMSN	1	Oshkosh Defense

INTERMEDIATE CLUTCH AWD

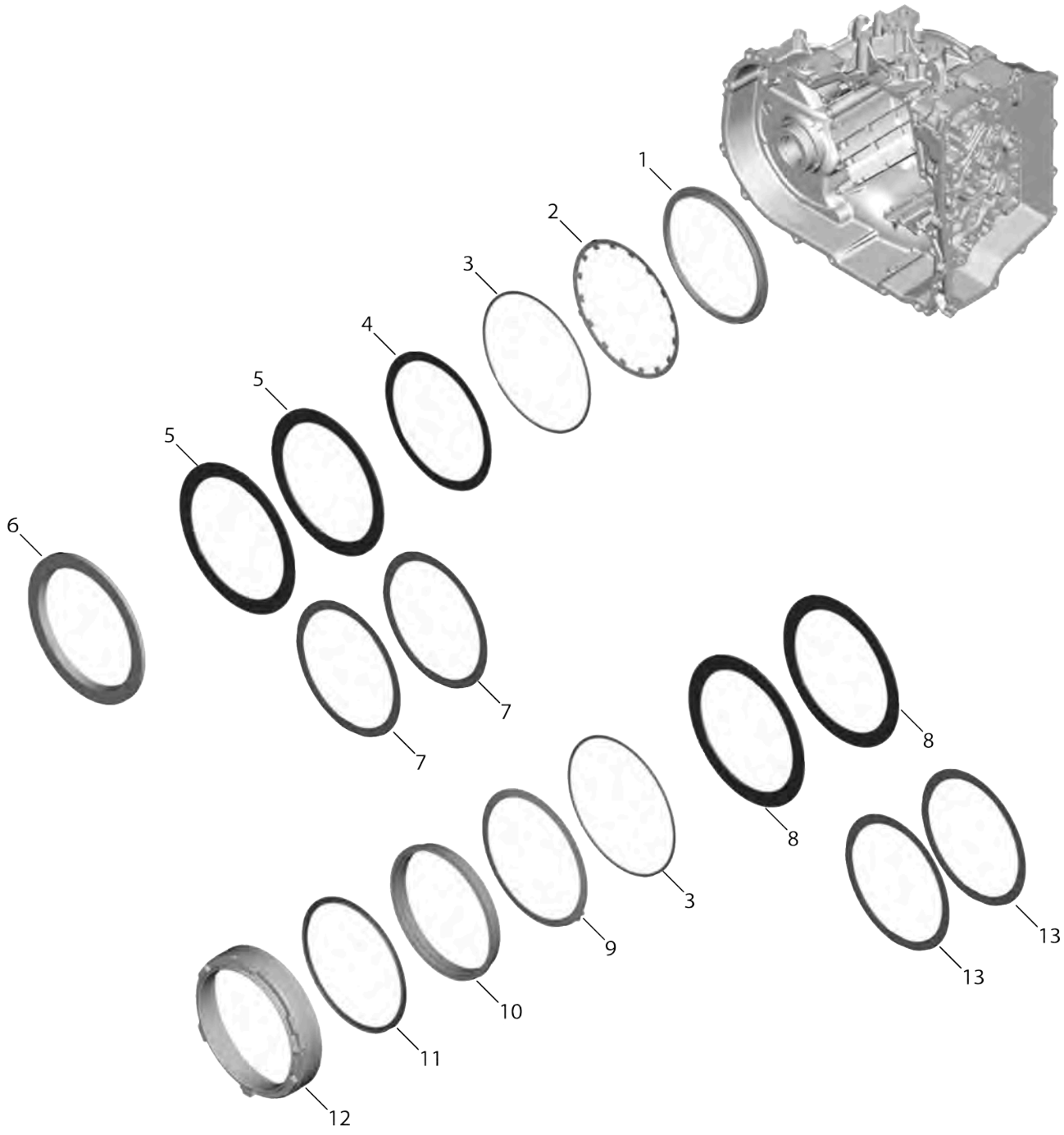


Table 105. INTERMEDIATE CLUTCH AWD

Item Number	Part Number	Description	Quantity	Primary Source
1	U272MA	SEAL,PSTN,INTMD CL, XMSN	1	Oshkosh Defense
2	U271GA	SPR,PSTN,FWD CL, XMSN	1	Oshkosh Defense
3	U2718A	RING,RET,PSTN,DIR CL,XMSN	2	Oshkosh Defense
4	U272EA	PLATE,PRESS,FRT CL, XMSN	1	Oshkosh Defense
5	U275CA	PLATE,EXT SPLN,CL, XMSN	2	Oshkosh Defense
6	U272PA	SPR,CUSH,INTMD CL, XMSN	1	Oshkosh Defense
7	U275BA	PLATE,INT SPLN,CL, XMSN	2	Oshkosh Defense
8	U272RA	PLATE,INT SPLN, INTMD CL,XMSN	2	Oshkosh Defense
9	U2719A	SPRT,SPR,INTMD CL, XMSN	1	Oshkosh Defense
10	U271AA	PSTN,INTMD CL,XMSN	1	Oshkosh Defense
11	U2717A	SEAL,PSTN,DIR CL, OTR,XMSN	1	Oshkosh Defense
12	U271BA	SUPPORT,CENTER,XMSN	1	Oshkosh Defense
13	U272QA	PLATE,INTMD CL,XMSN	2	Oshkosh Defense

INTERMEDIATE CLUTCH FWD

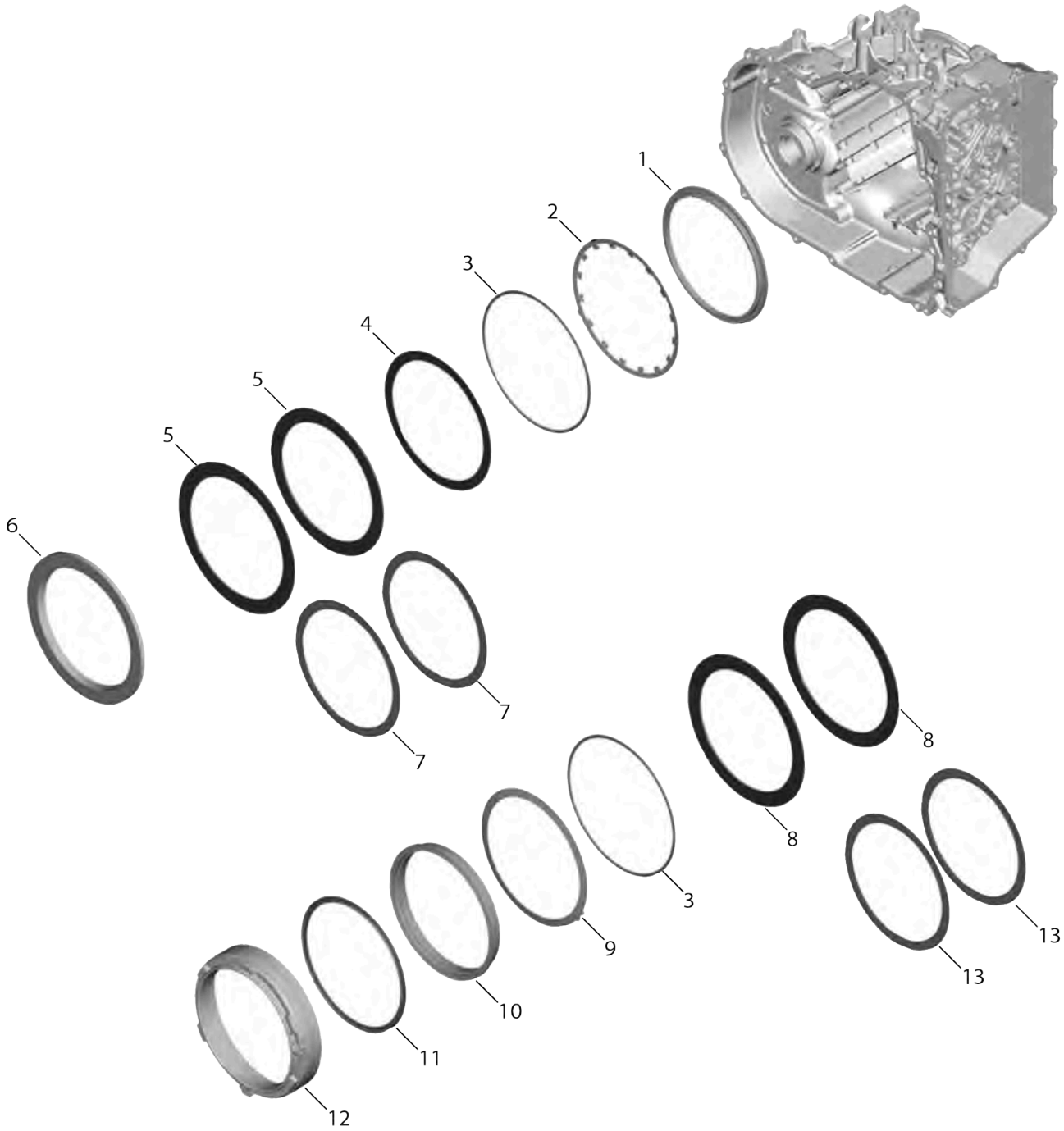


Table 106. INTERMEDIATE CLUTCH FWD

Item Number	Part Number	Description	Quantity	Primary Source
1	U272MA	SEAL,PSTN,INTMD CL, XMSN	1	Oshkosh Defense
2	U271GA	SPR,PSTN,FWD CL, XMSN	1	Oshkosh Defense
3	U2718A	RING,RET,PSTN,DIR CL,XMSN	3	Oshkosh Defense
4	U272PA	SPR,CUSH,INTMD CL, XMSN	1	Oshkosh Defense
5	U272QA	PLATE,INTMD CL,XMSN	2	Oshkosh Defense
6	U272EA	PLATE,PRESS,FRT CL, XMSN	2	Oshkosh Defense
7	U272RA	PLATE,INT SPLN, INTMD CL,XMSN	2	Oshkosh Defense
8	U275CA	PLATE,EXT SPLN,CL, XMSN	2	Oshkosh Defense
9	U2719A	SPRT,SPR,INTMD CL, XMSN	1	Oshkosh Defense
10	U271AA	PSTN,INTMD CL,XMSN	1	Oshkosh Defense
11	U2717A	SEAL,PSTN,DIR CL, OTR,XMSN	1	Oshkosh Defense
12	U271BA	SUPPORT,CENTER,XMSN	1	Oshkosh Defense
13	U275BA	PLATE,INT SPLN,CL, XMSN	2	Oshkosh Defense

PLANETARY GEAR SETS AWD

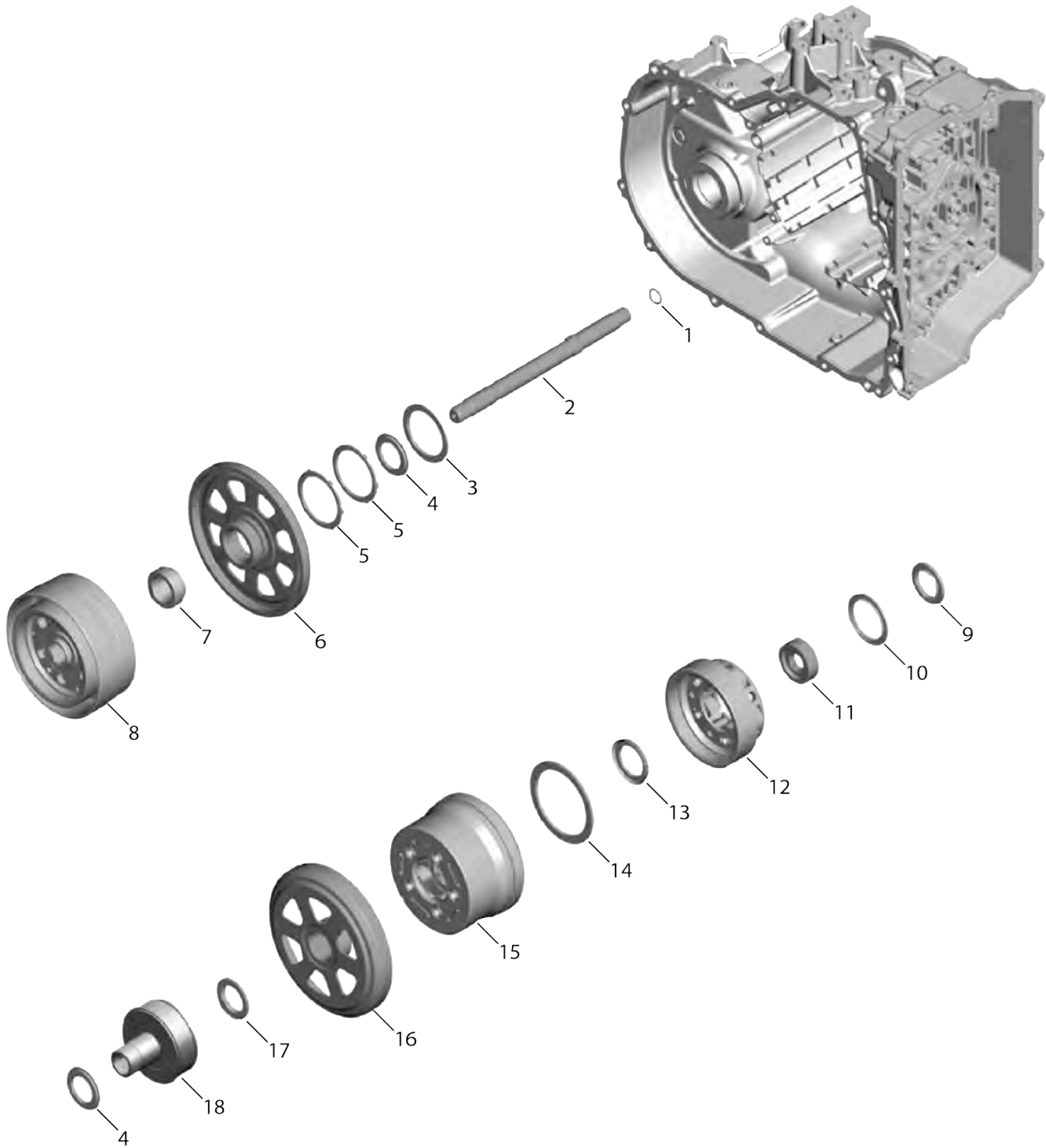


Table 107. PLANETARY GEAR SETS AWD

Item Number	Part Number	Description	Quantity	Primary Source
1	U272HA	RING,RET,TRB SHFT, XMSN	1	Oshkosh Defense
2	U272GA	SFT,INP DIFF,TRB, XMSN	1	Oshkosh Defense
3	U271RA	BRG,XFR CASE,RR, XMSN	1	Oshkosh Defense
4	U272SA	BRG,THR,SUN GR,XMSN	2	Oshkosh Defense
5	U272UA	BRG,THR,SUN GR,FWD CL,XMSN	2	Oshkosh Defense
6	U272VA	SHELL,INP,FR SUN, XMSN	1	Oshkosh Defense
7	U272WA	GR,RING,INP,FR SUN, XMSN	1	Oshkosh Defense
8	U272YA	GR,CARR,PLNTY,XMSN	1	Oshkosh Defense
9	U272ZA	BRG,THR,SUN GR,FR CL,XMSN	1	Oshkosh Defense
10	U2730A	BRG,THR,CARR,XMSN	1	Oshkosh Defense
11	U272XA	GR,SUN,INP,FR SUN, XMSN	1	Oshkosh Defense
12	U2731A	GR,CARR,PLNTY,FWD, XMSN	1	Oshkosh Defense
13	U2732A	BRG,RLR,SUN GR,XMSN	1	Oshkosh Defense
14	U2733A	BRG,THR,PLNTY CARR, FR,XMSN	1	Oshkosh Defense
15	U2734A	GR,CARR,PLNTY,DR GR,XMSN	1	Oshkosh Defense
16	U2735A	GR,RING,SUN,XMSN	1	Oshkosh Defense
17	U2737A	BRG,THR,SUN GR,XMSN	1	Oshkosh Defense
18	U272BA	HUB,SYNC,XMSN	1	Oshkosh Defense

PLANETARY GEAR SETS FWD

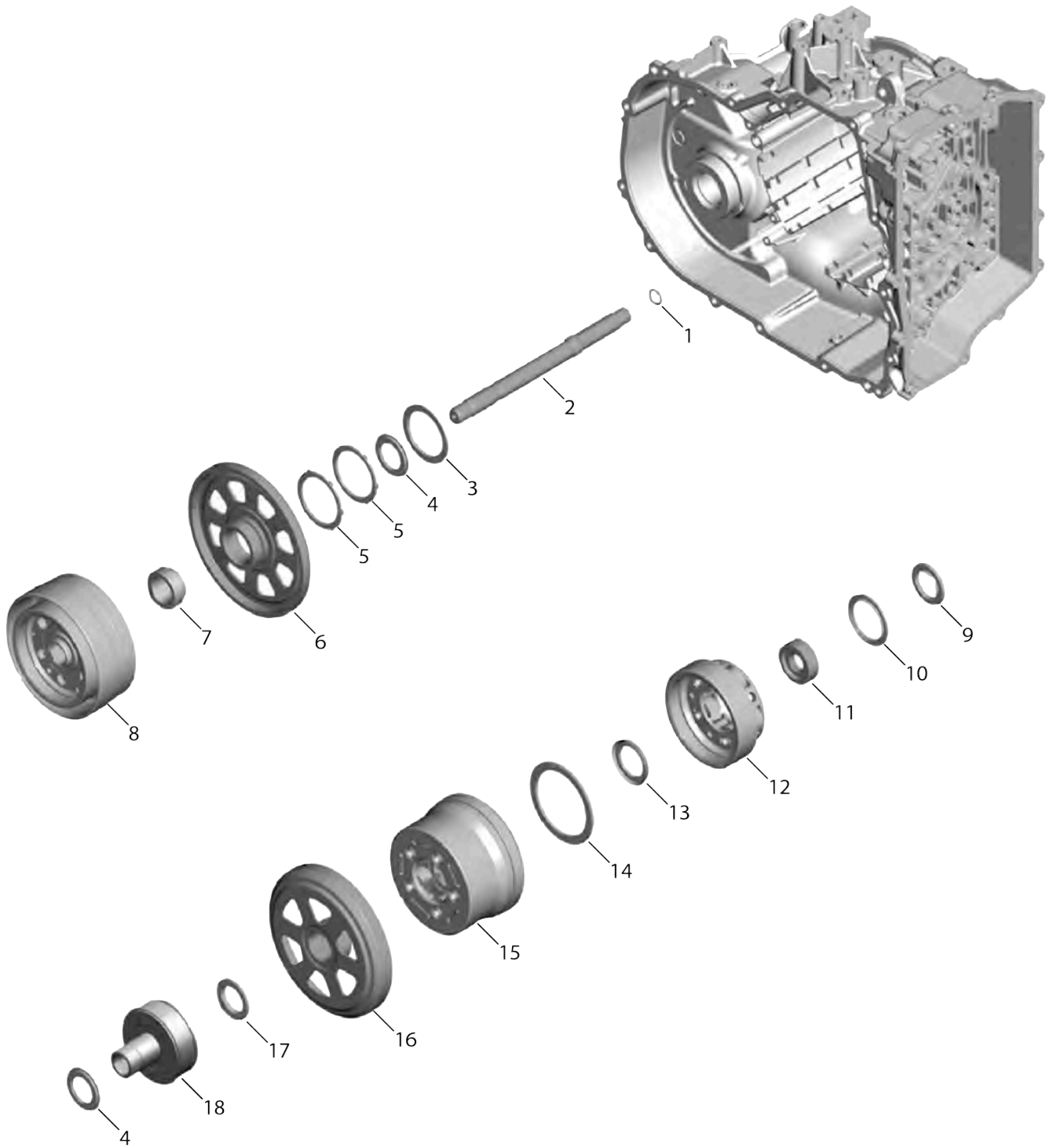


Table 108. PLANETARY GEAR SETS FWD

Item Number	Part Number	Description	Quantity	Primary Source
1	U272HA	RING,RET,TRB SHFT, XMSN	1	Oshkosh Defense
2	U272GA	SFT,INP DIFF,TRB, XMSN	1	Oshkosh Defense
3	U271RA	BRG,XFR CASE,RR, XMSN	1	Oshkosh Defense
4	U272SA	BRG,THR,SUN GR,XMSN	2	Oshkosh Defense
5	U272UA	BRG,THR,SUN GR,FWD CL,XMSN	2	Oshkosh Defense
6	U272VA	SHELL,INP,FR SUN, XMSN	1	Oshkosh Defense
7	U272WA	GR,RING,INP,FR SUN, XMSN	1	Oshkosh Defense
8	U272YA	GR,CARR,PLNTY,XMSN	1	Oshkosh Defense
9	U272ZA	BRG,THR,SUN GR,FR CL,XMSN	1	Oshkosh Defense
10	U2730A	BRG,THR,CARR,XMSN	1	Oshkosh Defense
11	U272XA	GR,SUN,INP,FR SUN, XMSN	1	Oshkosh Defense
12	U2731A	GR,CARR,PLNTY,FWD, XMSN	1	Oshkosh Defense
13	U2732A	BRG,RLR,SUN GR,XMSN	1	Oshkosh Defense
14	U2733A	BRG,THR,PLNTY CARR, FR,XMSN	1	Oshkosh Defense
15	U2734A	GR,CARR,PLNTY,DR GR,XMSN	1	Oshkosh Defense
16	U2735A	GR,RING,SUN,XMSN	1	Oshkosh Defense
17	U2737A	BRG,THR,SUN GR,XMSN	1	Oshkosh Defense
18	U272BA	HUB,SYNC,XMSN	1	Oshkosh Defense

DIRECT CLUTCH AND COMPONENTS AWD

1-[2-4]

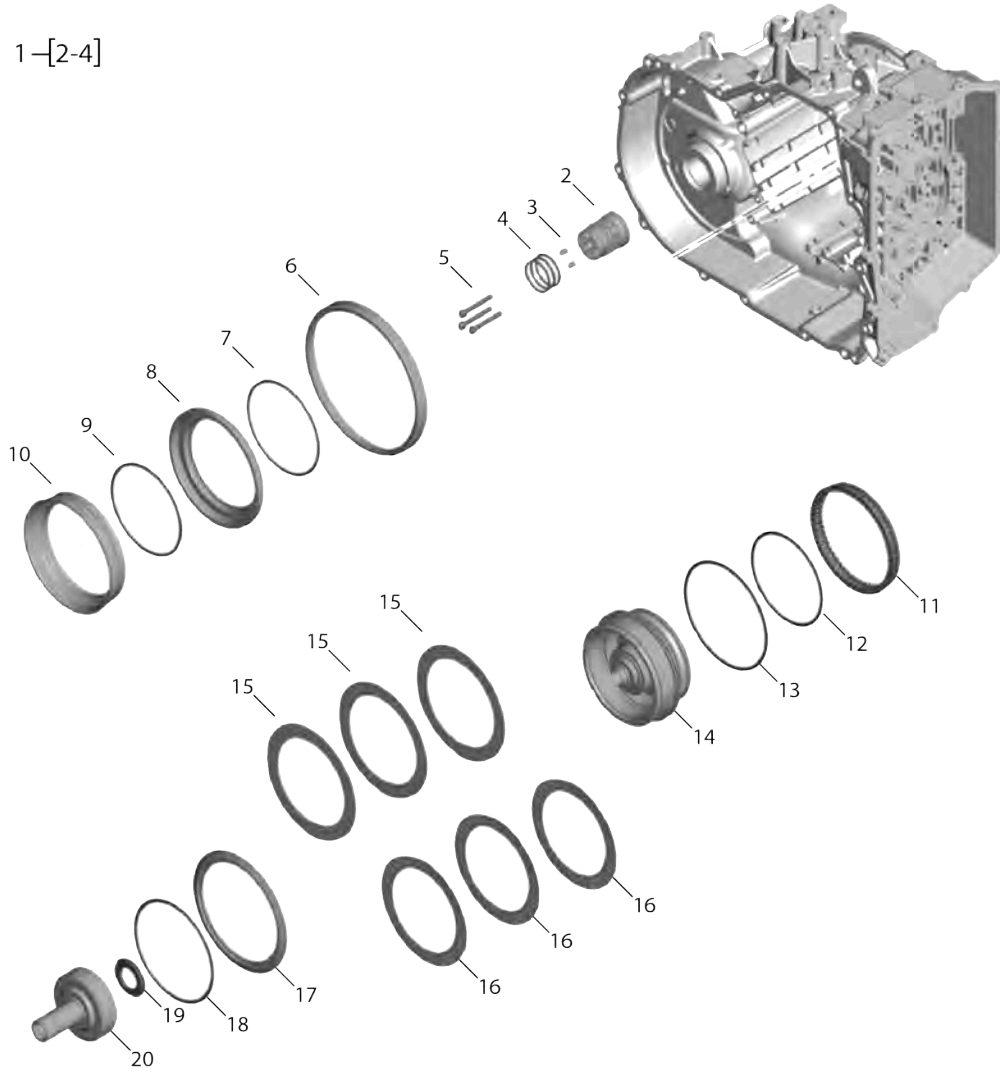


Table 109. DIRECT CLUTCH AND COMPONENTS AWD

Item Number	Part Number	Description	Quantity	Primary Source
1	U271NA	SUPPORT ASSY,HUB CTR,XMSN	1	Oshkosh Defense
2	JM5Z-7A130-A001	SUPPORT,HUB CTR, XMSN,NOT PROCURABLE,MUST PURCHASE JM5Z-7A130-A	1	Oshkosh Defense
3	JM5Z-7A130-A002	AIR BLEEDER,CLUTCH, XMSN,NOT PROCURABLE,MUST PURCHASE JM5Z-7A130-A	2	Oshkosh Defense
4	U271PA	SEAL,CLUTCH HSG, XMSN	3	Oshkosh Defense
5	U271QA	SCR,CAP,GM M6X50 C10.9	3	Oshkosh Defense
6	U272NA	RING,DIR CL,XMSN	1	Oshkosh Defense
7	U2723A	RING,RET,CYL,DIR CL,XMSN	1	Oshkosh Defense
8	U2722A	CYL,DIR CL,XMSN	1	Oshkosh Defense
9	U271UA	SEAL,OIL,CL PSTN, INR,XMSN	1	Oshkosh Defense
10	U2721A	PSTN,DIR CL,XMSN	1	Oshkosh Defense
11	U2720A	SPR,SUPPORT,DIR CL, XMSN	1	Oshkosh Defense
12	U271VA	SEAL,OIL,DIR CL PSTN,INR,XMSN	1	Oshkosh Defense
13	U2729A	RING,ODR CL,BAL DMP,XMSN	1	Oshkosh Defense
14	U271SA	HUB,INPUT,DIR OVRDR,XMSN	1	Oshkosh Defense
15	U271XA	PLATE,FRCT,DIR CL, EXT SPL,XMSN	3	Oshkosh Defense
16	U271WA	PLATE,FRCT,DIR CL,	3	Oshkosh Defense
17	U271YA	PLATE,PRESS,DIR DRV CL,XMSN	1	Oshkosh Defense
18	U271ZA	RING,RET,CL PLATE, XMSN	1	Oshkosh Defense
19	U272AA	BRG,THRS,DIR CL, XMSN	1	Oshkosh Defense
20	U275FA	HUB,DIR CL,XMSN	1	Oshkosh Defense

DIRECT CLUTCH AND COMPONENTS FWD

1-[2-4]

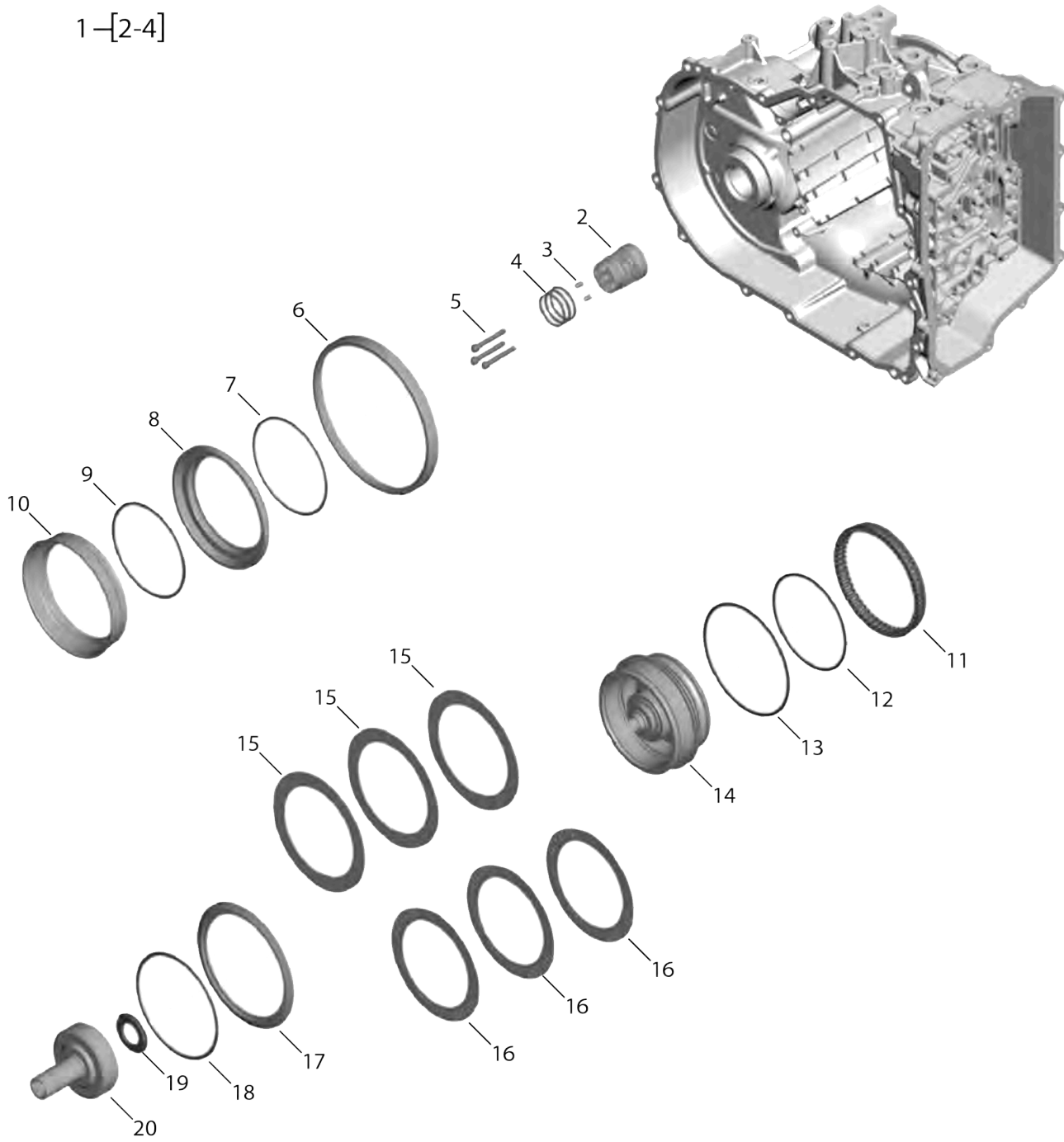


Table 110. DIRECT CLUTCH AND COMPONENTS FWD

Item Number	Part Number	Description	Quantity	Primary Source
1	U271NA	SUPPORT ASSY,HUB CTR,XMSN	1	Oshkosh Defense
2	JM5Z-7A130-A001	SUPPORT,HUB CTR, XMSN,NOT PROCURABLE,MUST PURCHASE JM5Z-7A130-A	1	Oshkosh Defense
3	JM5Z-7A130-A002	AIR BLEEDER,CLUTCH, XMSN,NOT PROCURABLE,MUST PURCHASE JM5Z-7A130-A	2	Oshkosh Defense
4	U271PA	SEAL,CLUTCH HSG, XMSN	3	Oshkosh Defense
5	U271QA	SCR,CAP,GM M6X50 C10.9	3	Oshkosh Defense
6	U272NA	RING,DIR CL,XMSN	1	Oshkosh Defense
7	U2723A	RING,RET,CYL,DIR CL,XMSN	1	Oshkosh Defense
8	U2722A	CYL,DIR CL,XMSN	1	Oshkosh Defense
9	U271UA	SEAL,OIL,CL PSTN, INR,XMSN	1	Oshkosh Defense
10	U2721A	PSTN,DIR CL,XMSN	1	Oshkosh Defense
11	U2720A	SPR,SUPPORT,DIR CL, XMSN	1	Oshkosh Defense
12	U271VA	SEAL,OIL,DIR CL PSTN,INR,XMSN	1	Oshkosh Defense
13	U2729A	RING,ODR CL,BAL DMP,XMSN	1	Oshkosh Defense
14	U271SA	HUB,INPUT,DIR OVRDR,XMSN	1	Oshkosh Defense
15	U271XA	PLATE,FRCT,DIR CL, EXT SPL,XMSN	3	Oshkosh Defense
16	U271WA	PLATE,FRCT,DIR CL,	3	Oshkosh Defense
17	U271YA	PLATE,PRESS,DIR DRV CL,XMSN	1	Oshkosh Defense
18	U271ZA	RING,RET,CL PLATE, XMSN	1	Oshkosh Defense
19	U272AA	BRG,THRS,DIR CL, XMSN	1	Oshkosh Defense
20	U275FA	HUB,DIR CL,XMSN	1	Oshkosh Defense

OVERDRIVE CLUTCH COMPONENTS AWD

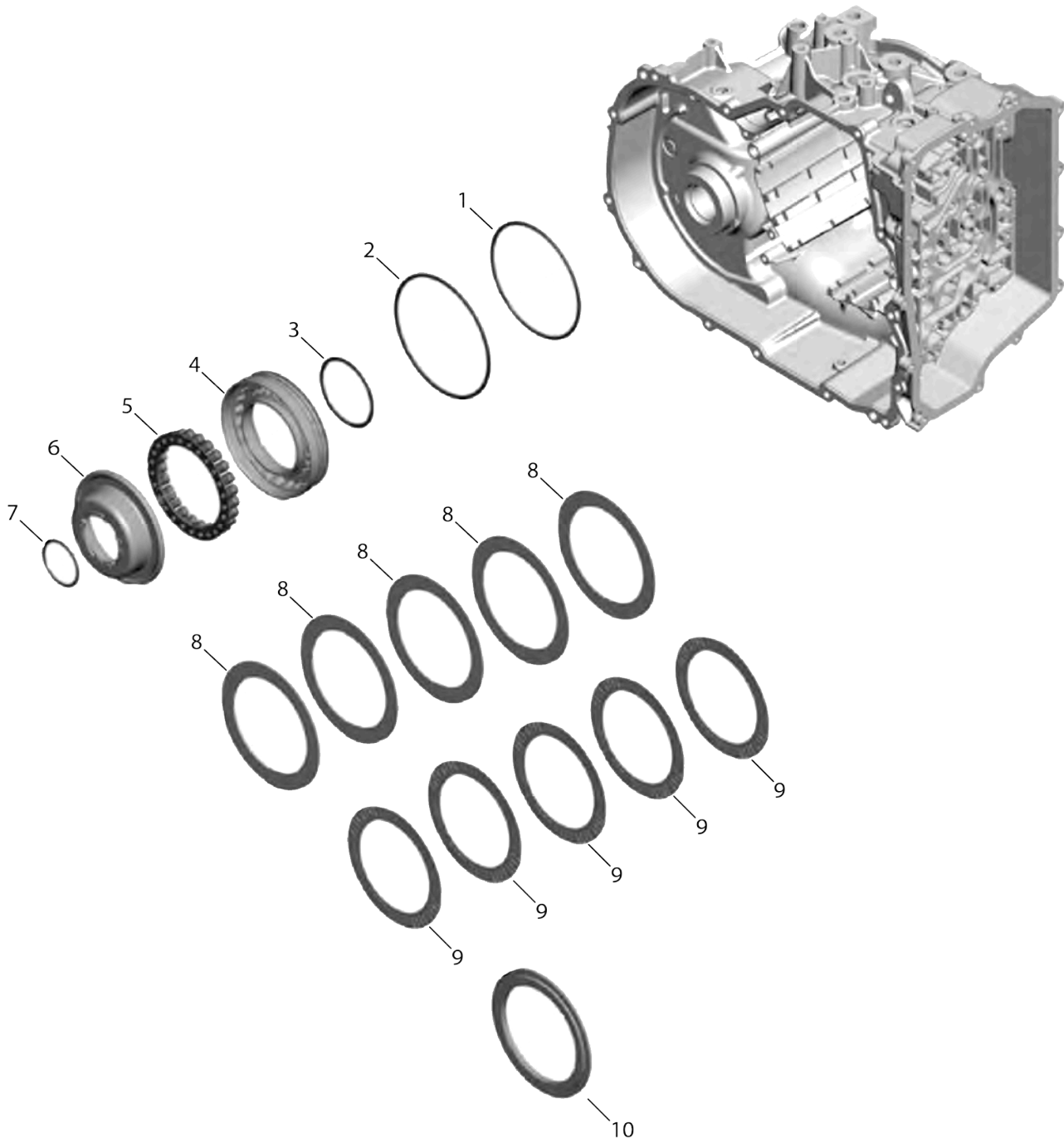


Table 111. OVERDRIVE CLUTCH COMPONENTS AWD

Item Number	Part Number	Description	Quantity	Primary Source
1	U2726A	SEAL,PSTN,ODR CL, OTR,XMSN	1	Oshkosh Defense
2	U2724A	SEAL,OIL,CL PSTN, OTR,XMSN	1	Oshkosh Defense
3	U2725A	SEAL,PSTN,ODR CL, INR,XMSN	1	Oshkosh Defense
4	U275DA	PSTN,ODR CL,XMSN	1	Oshkosh Defense
5	U2727A	SPR,ODR CL,XMSN	1	Oshkosh Defense
6	U2728A	PSTN,ODR CL,BAL DMP,XMSN	1	Oshkosh Defense
7	U275EA	RING,SEAL,ODR CL, XMSN	1	Oshkosh Defense
8	U272DA	PLATE,EXT SPLN,CL, XMSN	5	Oshkosh Defense
9	U272CA	PLATE,INT SPLN,CL, XMSN	5	Oshkosh Defense
10	U272EA	PLATE,PRESS,FRT CL, XMSN	1	Oshkosh Defense

OVERDRIVE CLUTCH COMPONENTS FWD

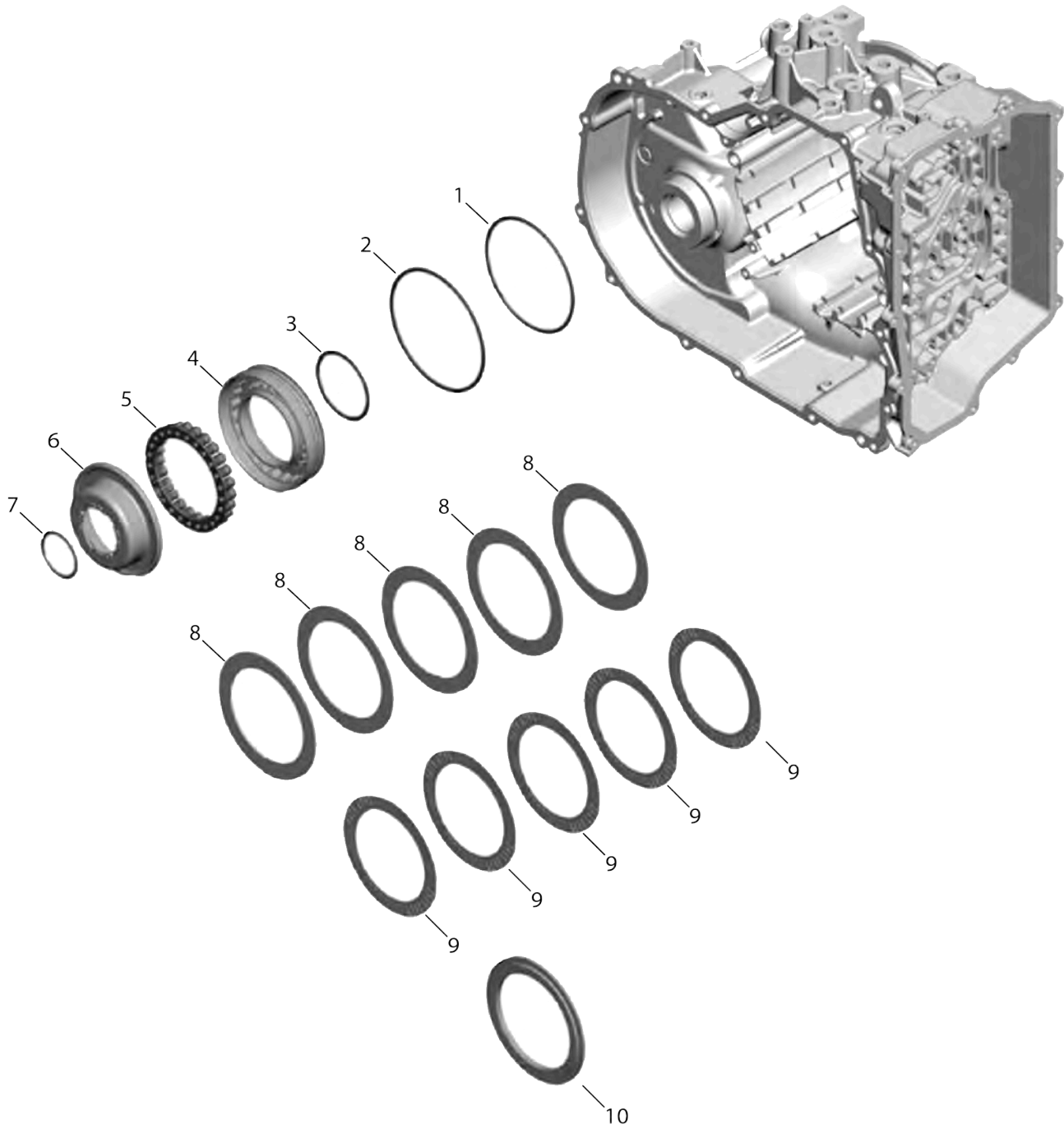


Table 112. OVERDRIVE CLUTCH COMPONENTS FWD

Item Number	Part Number	Description	Quantity	Primary Source
1	U2726A	SEAL,PSTN,ODR CL, OTR,XMSN	1	Oshkosh Defense
2	U2724A	SEAL,OIL,CL PSTN, OTR,XMSN	1	Oshkosh Defense
3	U2725A	SEAL,PSTN,ODR CL, INR,XMSN	1	Oshkosh Defense
4	U275DA	PSTN,ODR CL,XMSN	1	Oshkosh Defense
5	U2727A	SPR,ODR CL,XMSN	1	Oshkosh Defense
6	U2728A	PSTN,ODR CL,BAL DMP,XMSN	1	Oshkosh Defense
7	U275EA	RING,SEAL,ODR CL, XMSN	1	Oshkosh Defense
8	U272DA	PLATE,EXT SPLN,CL,	5	Oshkosh Defense
9	U272CA	PLATE,INT SPLN,CL, XMSN	5	Oshkosh Defense
10	U272EA	PLATE,PRESS,FRT CL, XMSN	2	Oshkosh Defense

MODULE,E-SHIFT

1-[2]



Table 113. MODULE,E-SHIFT

Item Number	Part Number	Description	Quantity	Primary Source
1	U351MA	MODULE ASSY,ECU, NXX	1	Oshkosh Defense
2	U350ZA	MODULE,E-SHIFT,F113 F113	1	Oshkosh Defense



POWER PACK SUPPORTS,AWD,ICE



POWER PACK SUPPORTS,AWD,ICE

4-[5-6]

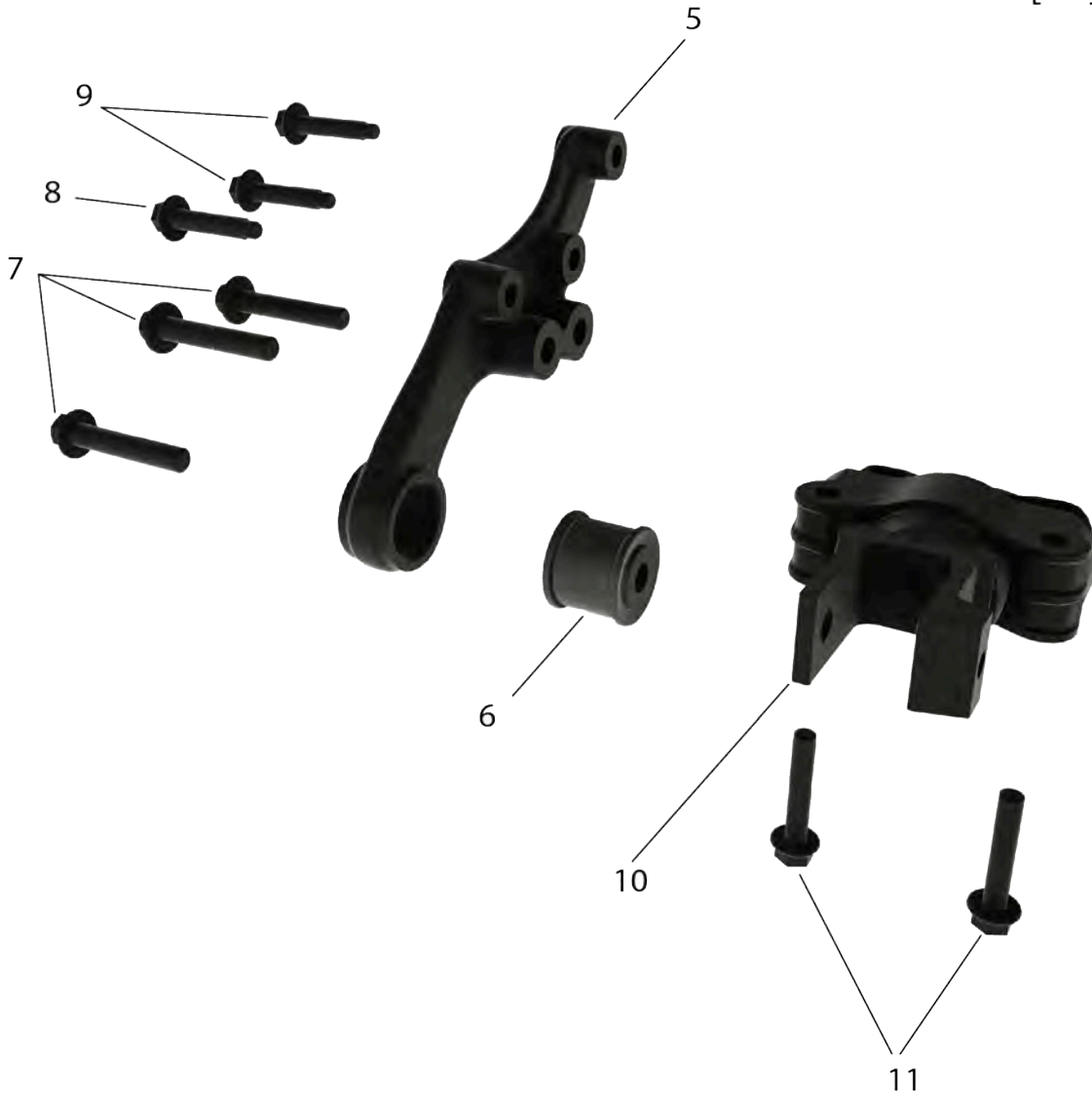
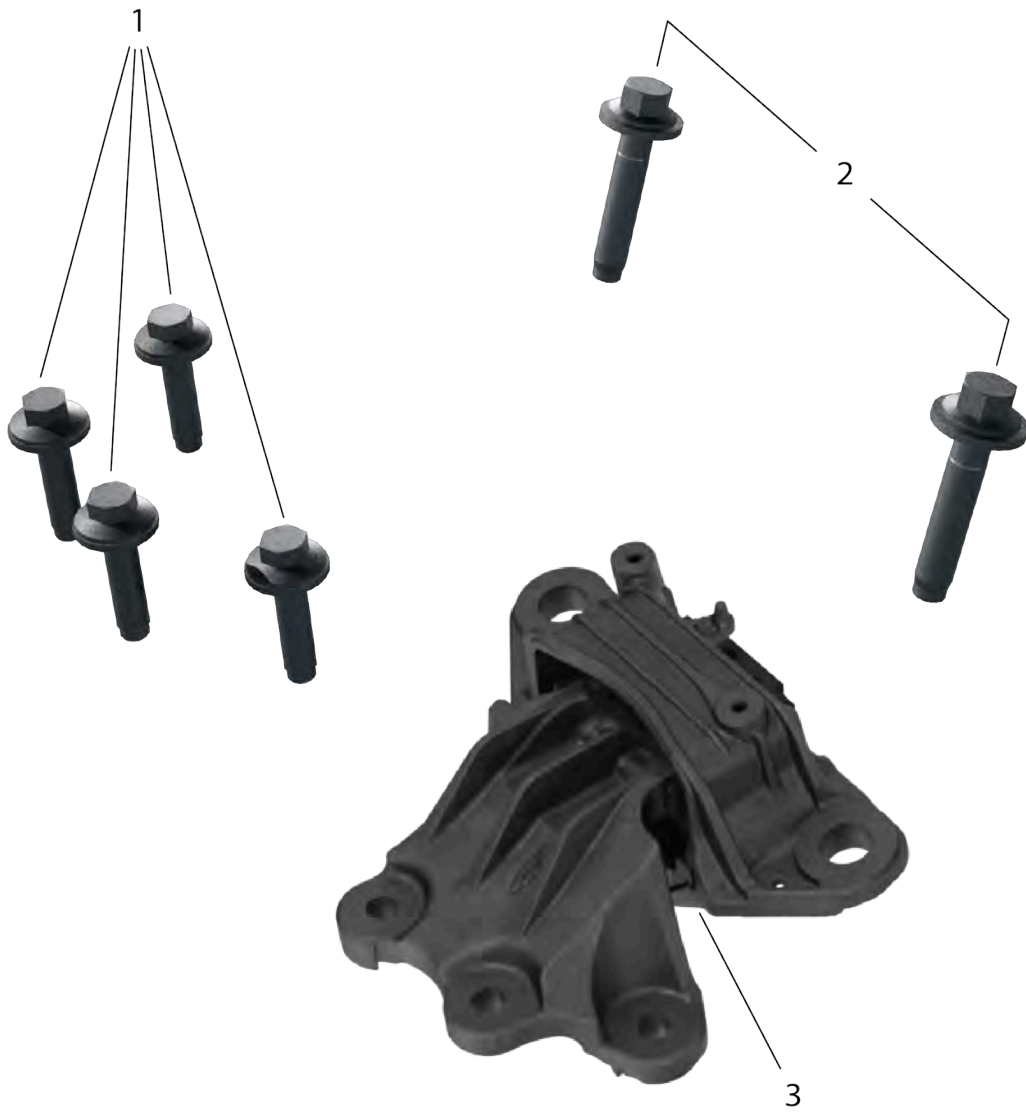




Table 114. POWER PACK SUPPORTS,AWD,ICE

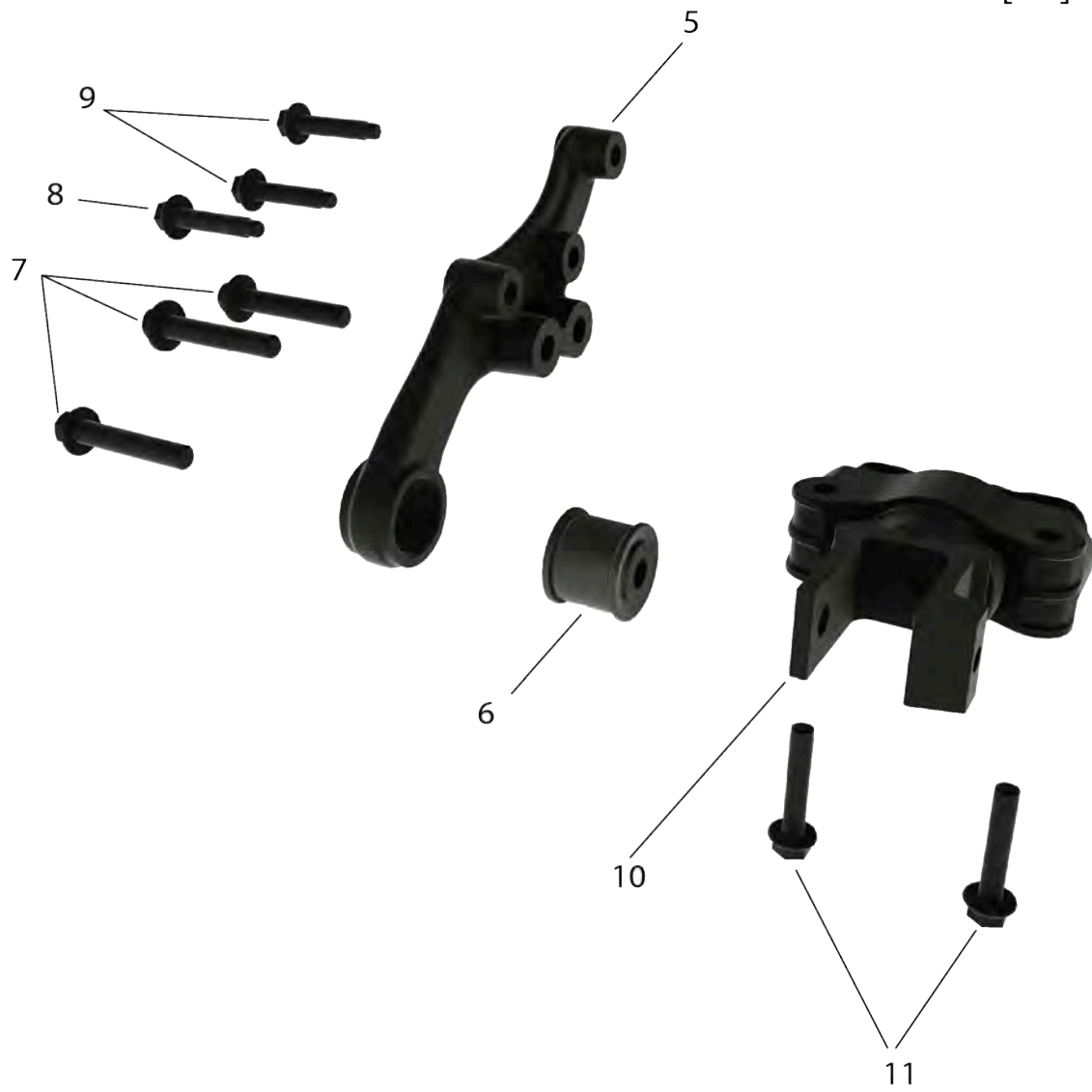
Item Number	Part Number	Description	Quantity	Primary Source
1	U456XA	BOLT,MACHINE ,DGP M14X57 C10.9	4	Oshkosh Defense
2	U456WA	BOLT,MACHINE M16X80 C10.9	2	Oshkosh Defense
3	U456RA	ISO MOUNT ASSY,ENG, REAR	1	Oshkosh Defense
4	U4570A	BRKT ASSY,ENG MOUNT,LOWER,AWD	1	Oshkosh Defense
5	U4571A	BRKT,ENG MOUNT,AWD, MOUNT,LOWER,AWD	1	Oshkosh Defense
6	U456PA	BUSHING ASSEMBLY M14	1	Oshkosh Defense
7	U456ZA	SCR,FLG,HEX M12-1.75X60 C10.9 MB	3	Oshkosh Defense
8	U456TA	BOLT,MACHINE M14-2.0X80 C10.9	1	Oshkosh Defense
9	U456KA	SCREW,CAP,HEXAGON HEAD,M14-2.0X80 C10.9 MB	2	Oshkosh Defense
10	U456SA	ISO MOUNT ASSY,ENG, RH	1	Oshkosh Defense
11	U456LA	BOLT,MACHINE M12-1.75X65 C10.9 MG	2	Oshkosh Defense
12	U456UA	NUT,PLAIN,EXTENDED WASHER,HEXAGON,M12 C10.9	3	Oshkosh Defense
13	U456YA	BOLT,MACHINE M14X66 C10 MG	2	Oshkosh Defense
14	U456VA	ENGINE MOUNTING STUD,M12X45 M12X28 C10.9	3	Oshkosh Defense
15	U456QA	ISO MOUNT ASSY, XMSN,LH	1	Oshkosh Defense

POWER PACK SUPPORTS, FWD, ICE



POWER PACK SUPPORTS,FWD,ICE

4 -[5-6]



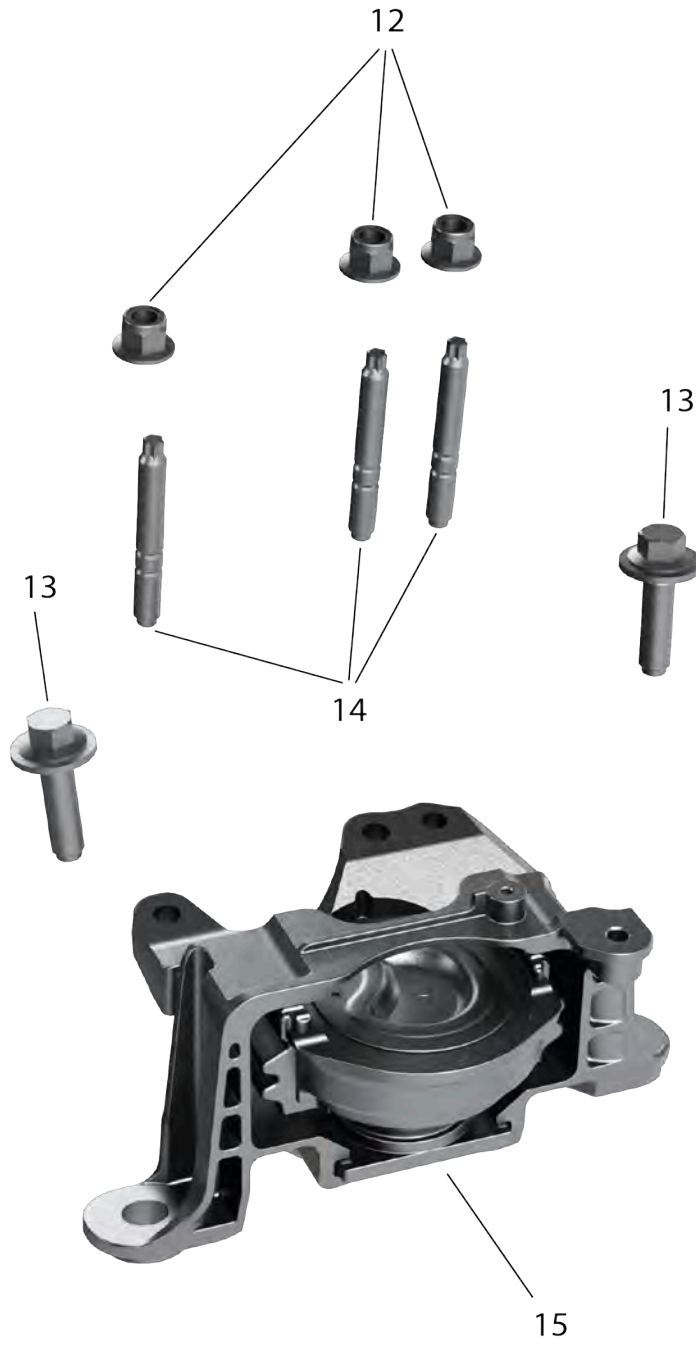


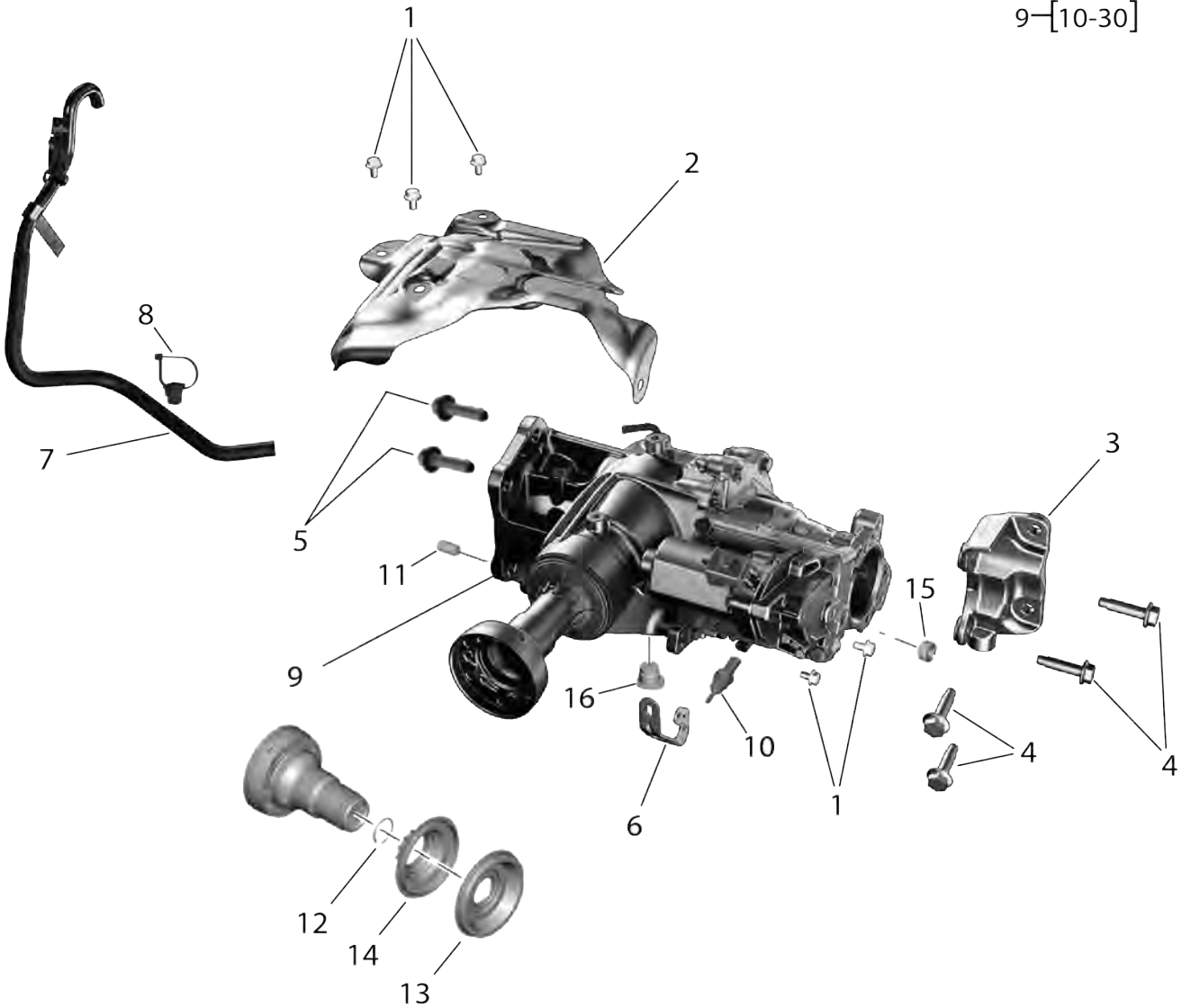
Table 115. POWER PACK SUPPORTS,FWD,ICE

Item Number	Part Number	Description	Quantity	Primary Source
1	U456XA	BOLT,MACHINE ,DGP M14X57 C10.9	4	Oshkosh Defense
2	U456WA	BOLT,MACHINE M16X80 C10.9	2	Oshkosh Defense
3	U456QA	ISO MOUNT ASSY, XMSN,LH	1	Oshkosh Defense
4	U456MA	BRKT ASSY,ENG MOUNT,LOWER,FWD	1	Oshkosh Defense
5	U456NA	BRKT,ENG MOUNT,FWD, MOUNT,LOWER,FWD	1	Oshkosh Defense
6	U456PA	BUSHING ASSEMBLY M14	1	Oshkosh Defense
7	U456ZA	SCR,FLG,HEX M12-1.75X60 C10.9 MB	3	Oshkosh Defense
8	U456TA	BOLT,MACHINE M14-2.0X80 C10.9	1	Oshkosh Defense
9	U456KA	SCREW,CAP,HEXAGON HEAD,M14-2.0X80 C10.9 MB	2	Oshkosh Defense
10	U456RA	ISO MOUNT ASSY,ENG, REAR	1	Oshkosh Defense
11	U456LA	BOLT,MACHINE M12-1.75X65 C10.9 MG	2	Oshkosh Defense
12	U456UA	NUT,PLAIN,EXTENDED WASHER,HEXAGON,M12 C10.9	3	Oshkosh Defense
13	U456YA	BOLT,MACHINE M14X66 C10 MG	2	Oshkosh Defense
14	U456VA	ENGINE MOUNTING STUD,M12X45 M12X28 C10.9	3	Oshkosh Defense
15	U456SA	ISO MOUNT ASSY,ENG, RH	1	Oshkosh Defense

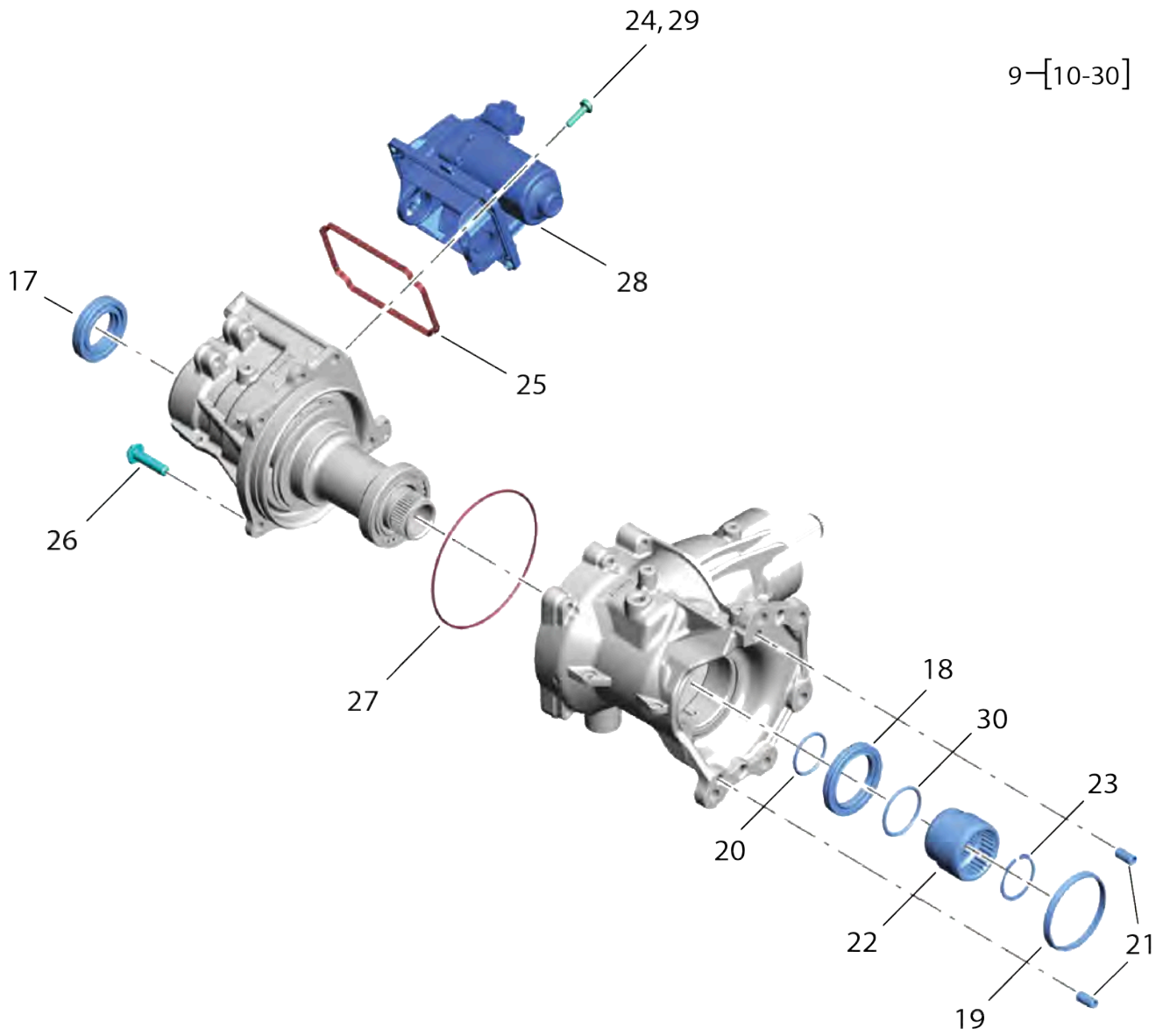


TRANSFER CASE, SINGLE SPEED

7-[8]
9-[10-30]



TRANSFER CASE, SINGLE SPEED



POWER TRANSFER UNIT

Table 116. TRANSFER CASE,SINGLE SPEED

Item Number	Part Number	Description	Quantity	Primary Source
1	U2700A	BOLT,MACHINE M6-1.0X10 C10.9 MG	5	Oshkosh Defense
2	U2703A	HEAT SHIELD,POWER TRANSFER	1	Oshkosh Defense
3	U2706A	BRACKET,MOUNTING	1	Oshkosh Defense
4	U2702A	BOLT,MACHINE M10-1.5X30 SPL	4	Oshkosh Defense
5	U2701A	BOLT,MACHINE M12-1.75X40 SPL	2	Oshkosh Defense
6	U2707A	BRACKET,MOUNTING	1	Oshkosh Defense
7	U2704A	HOSE,PWR XFER,ASSY ASSY	1	Oshkosh Defense
8	U2705A	MOUNT,M6 STUD,CABLE TIE	1	Oshkosh Defense
9	U2708A	PWR XFER,AWD,ASSY UNIT,AWD,ASSY	1	Oshkosh Defense
10	U2709A	SENSOR,OIL TEMP, PTO,AWD	1	Oshkosh Defense
11	U270AA	PIN,DWL,DIFF,PWR XFER	2	Oshkosh Defense
12	LX6Z-7275-A001	RING,EXT,DIFF,PWR NOT PROCURABLE,MUST PURCHASE LX6Z-7275-A	1	Oshkosh Defense
13	LX6Z-7275-A002	SEAL,SHAFT,DIFF,PWR NOT PROCURABLE,MUST PURCHASE LX6Z-7275-A	1	Oshkosh Defense
14	LX6Z-7275-A003	FLANGE,SHAFT,DIFF, NOT PROCURABLE,MUST PURCHASE LX6Z-7275-A	1	Oshkosh Defense
15	U270BA	PLUG,FILLER,DIFF, PWR XFER	1	Oshkosh Defense
16	U270CA	PLUG,MAG,DIFF,PWR XFER	1	Oshkosh Defense
17	K2GZ-7H469-D001	SEAL,SHAFT,INPUT RH NOT PROCURABLE,MUST PURCHASE K2GZ-7H469-D	1	Oshkosh Defense
18	K2GZ-7H469-D002	SEAL,SHAFT,INPUT LH NOT PROCURABLE,MUST PURCHASE K2GZ-7H469-D	1	Oshkosh Defense
19	K2GZ-7H469-D003	SEAL,COMPRESS, NOT PROCURABLE,MUST PURCHASE K2GZ-7H469-D	1	Oshkosh Defense
20	K2GZ-7H469-D004	ORING,SHAFT,INPUT, NOT PROCURABLE,MUST PURCHASE K2GZ-7H469-D	1	Oshkosh Defense
21	K2GZ-7H469-D005	DOWEL,PTU CASE, NOT PROCURABLE,MUST PURCHASE K2GZ-7H469-D	2	Oshkosh Defense
22	K2GZ-7H469-D006	SLEEVE,SHAFT,INPUT NOT PROCURABLE,MUST PURCHASE K2GZ-7H469-D	1	Oshkosh Defense
23	K2GZ-7H469-D007	RING,INT,SHAFT, NOT PROCURABLE,MUST PURCHASE K2GZ-7H469-D	1	Oshkosh Defense
24	K2GZ-7166-A001	BOLT,MOTOR,ACTUATOR NOT PROCURABLE,MUST PURCHASE K2GZ-7166-A	4	Oshkosh Defense
25	K2GZ-7166-A002	SEAL,MOTOR,ACTUATOR NOT PROCURABLE,MUST PURCHASE K2GZ-7166-A	1	Oshkosh Defense
26	K2GZ-7R284-A001	BOLT,HOUSING,PTU NOT PROCURABLE,MUST PURCHASE K2GZ-7R284-A	5	Oshkosh Defense
27	K2GZ-7R284-A002	ORING,HOUSING,PTU NOT PROCURABLE,MUST PURCHASE K2GZ-7R284-A	1	Oshkosh Defense
28	K2GZ-7G360-A001	MOTOR,ACTUATOR,DIFF NOT PROCURABLE,MUST PURCHASE K2GZ-7G360-A	1	Oshkosh Defense
29	K2GZ-7G360-A002	BOLT,MTR,ACTUATOR NOT PROCURABLE,MUST PURCHASE K2GZ-7G360-A	4	Oshkosh Defense
30	K2GZ-7G360-A003	SEAL,MTR,ACTUATOR, NOT PROCURABLE,MUST PURCHASE K2GZ-7G360-A	1	Oshkosh Defense

MODULE, CTRL, TRANSFER CASE

1-[2]



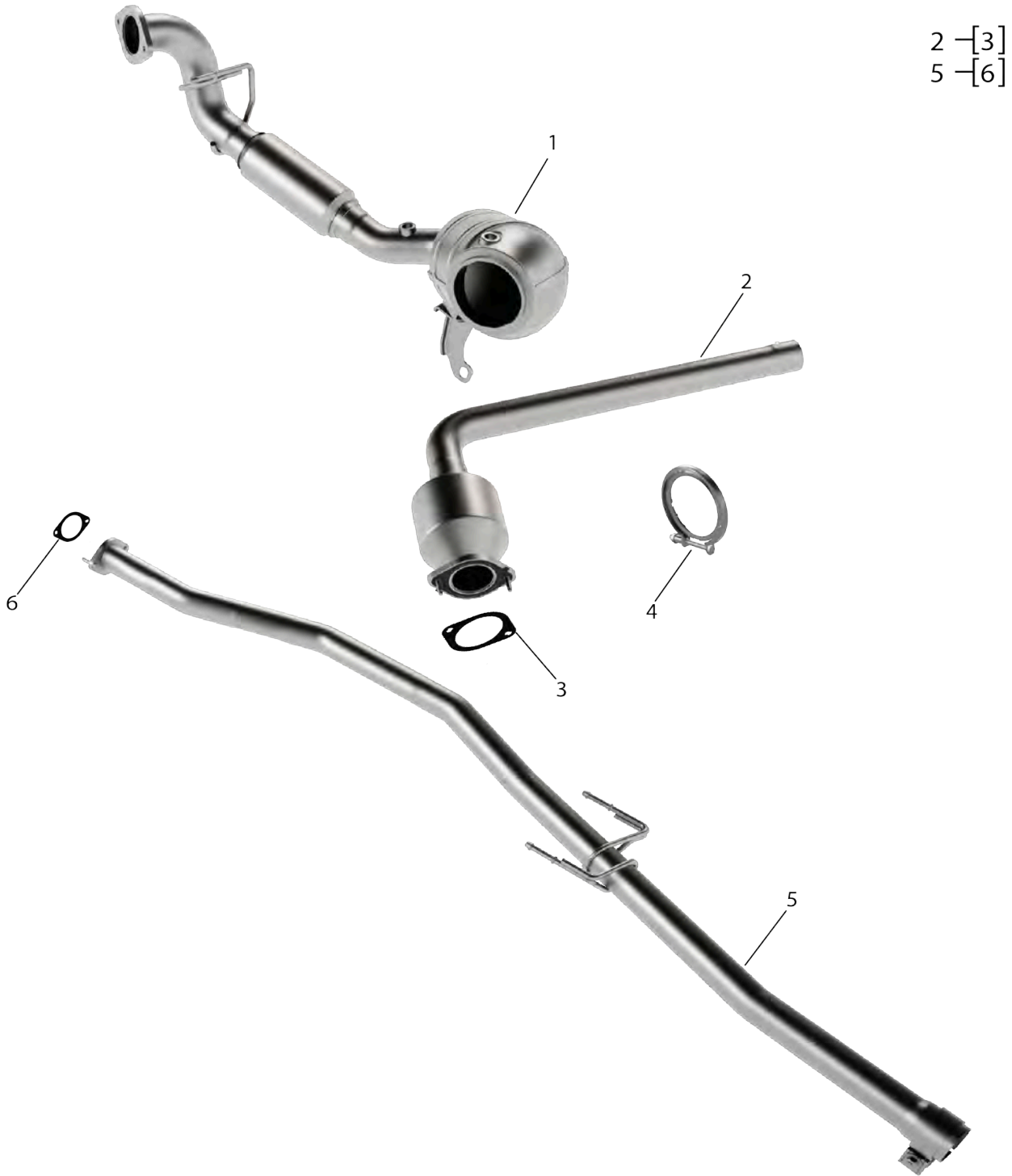
POWER TRANSFER UNIT

Table 117. MODULE,CTRL,TRANSFER CASE

Item Number	Part Number	Description	Quantity	Primary Source
1	U351NA	MODULEASSY,ECU, AWD,NIA,R07	1	Oshkosh Defense
2	U3517A	MODULE,CTRL,XFER CASE	1	Oshkosh Defense



EXHAUST SYSTEM



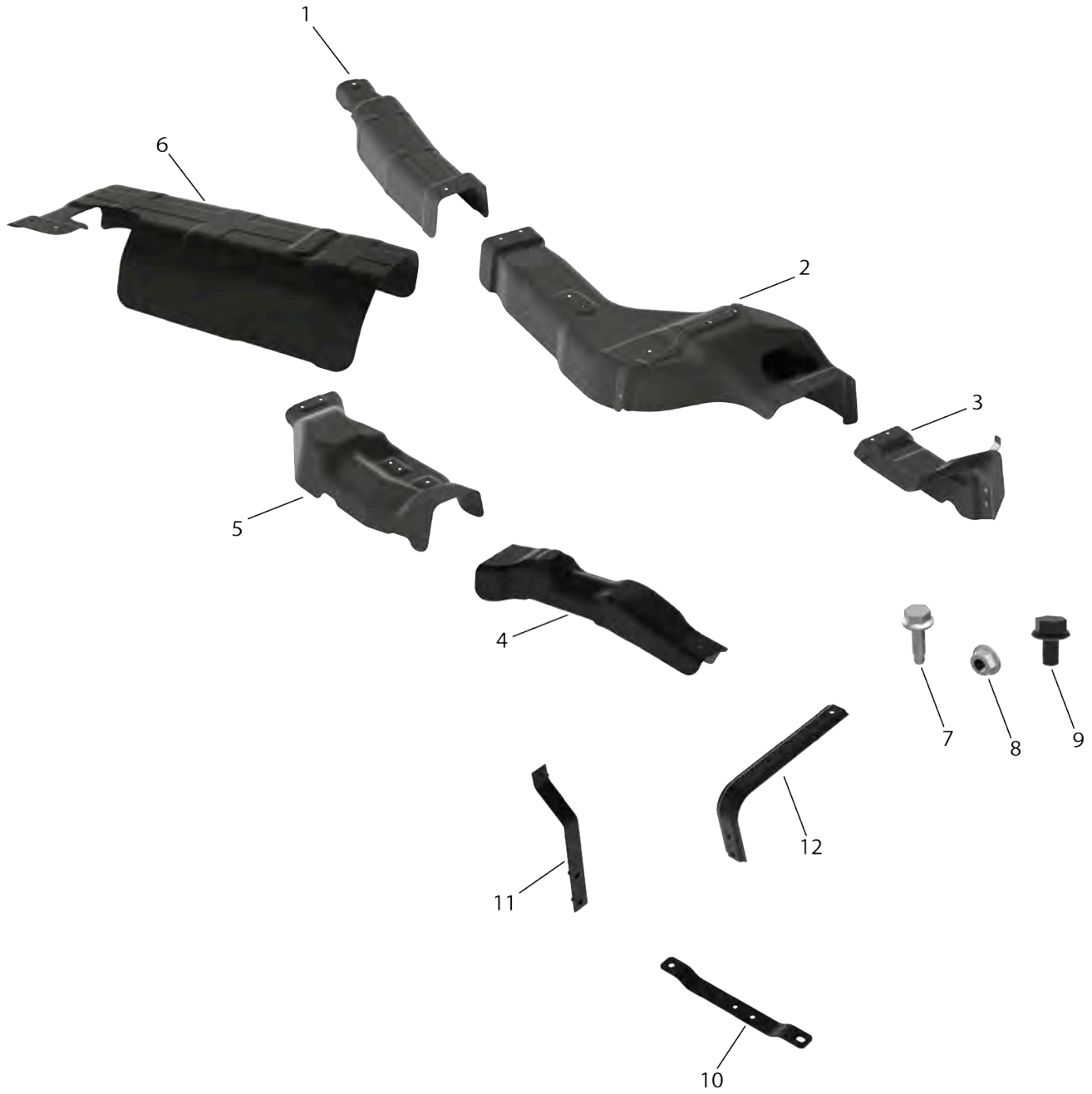
EXHAUST SYSTEM



EXHAUST SYSTEM**Table 118. EXHAUST SYSTEM**

Item Number	Part Number	Description	Quantity	Primary Source
1	U4302A	EXHAUST ASSY, CLS-CPL ASSY	1	Oshkosh Defense
2	U4306A	EXHAUST ASSY, UNDR-FLR ASSY	1	Oshkosh Defense
3	U4307A	GASKET,EXHAUST,UFC	1	Oshkosh Defense
4	U430CA	CLAMP,VBAND 140.2 SPL	1	Oshkosh Defense
5	U4303A	EXHAUST ASSY, INTERMEDIATE PIPE	1	Oshkosh Defense
6	U4304A	GASKET,EXHAUST, INTR,68.7MM	1	Oshkosh Defense
7	U4305A	EXHAUST ASSY, MUFFLER	1	Oshkosh Defense
8	U4300A	SCR,FLG,HEX,DGP M14-2.0X35 C10	1	Oshkosh Defense
9	U1501A	SCR,FLG,HEX,DGP M8X20 C8.8 MG	2	Oshkosh Defense
10	U430DA	NUT,FLG,M8-1.25 SS MG	4	Oshkosh Defense
11	U4308A	EXH HGR,MFLR,INBD, WLDMT	1	Oshkosh Defense
12	U4309A	EXH HGR,MFLR,OTBD, WLDMT	1	Oshkosh Defense
13	U430AA	EXH HGR,CCC,WLDMT	1	Oshkosh Defense
14	U4301A	ISO MOUNT,EXHAUST, SI,2-ROD	5	Oshkosh Defense
15	U430BA	BRKT,EXHAUST HANGER	2	Oshkosh Defense
16	U1300A	SCR,FLG,HEX,DGP M8X25 C8.8 MG	6	Oshkosh Defense

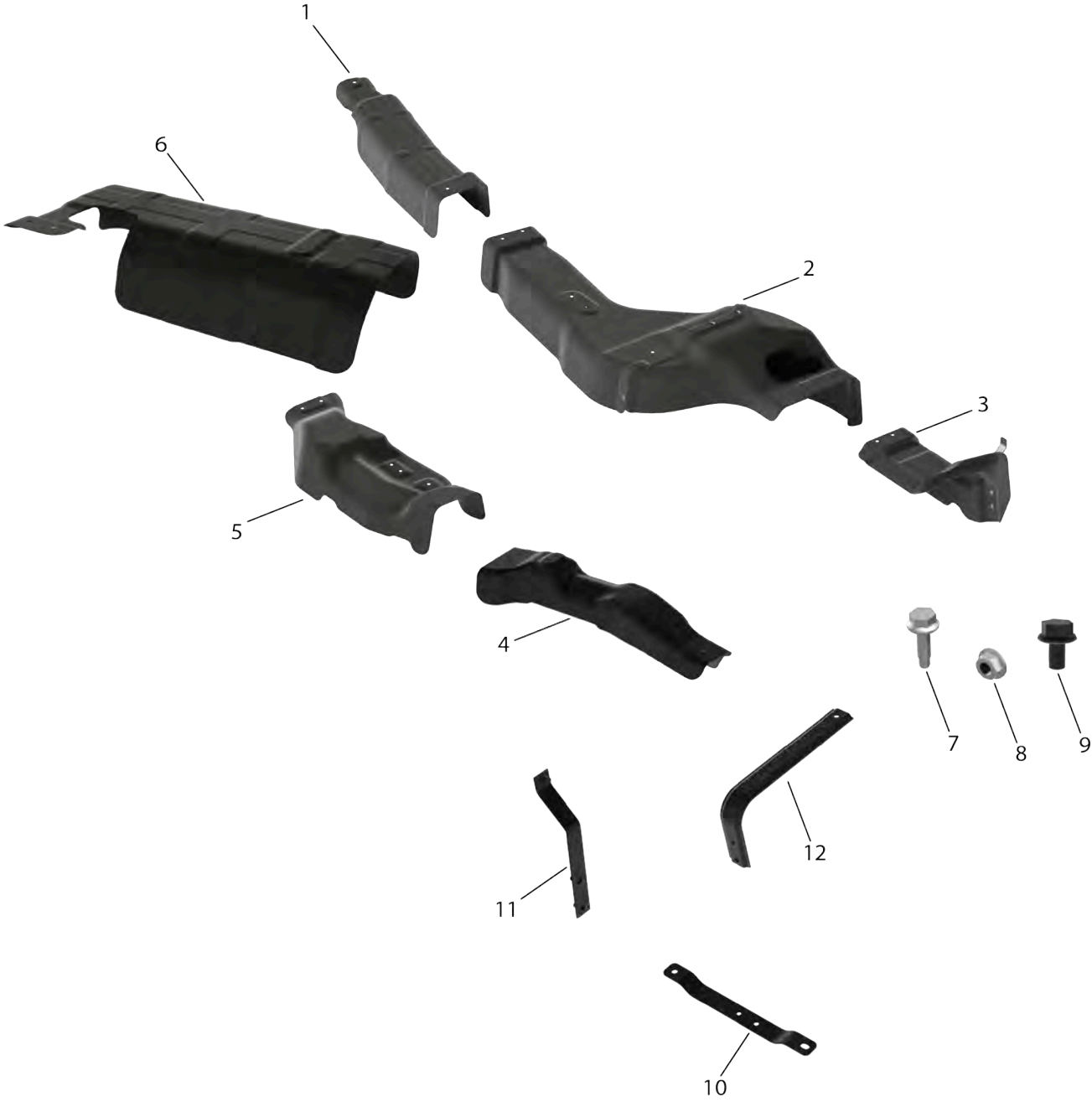
EXHAUST HEAT SHIELD,AWD



EXHAUST SYSTEM**Table 119. EXHAUST HEAT SHIELD,AWD**

Item Number	Part Number	Description	Quantity	Primary Source
1	U430JA	SHIELD,HEAT, MIDPIPE,FR	1	Oshkosh Defense
2	U430HA	SHIELD,HEAT, SECONDARY CAT,ASSY	1	Oshkosh Defense
3	U430KA	SHIELD,HEAT,CAT,FR ASSY	1	Oshkosh Defense
4	U430FA	SHIELD,HEAT,MID,RR MIDPIPE,ASSY	1	Oshkosh Defense
5	U430EA	SHIELD,HEAT, MIDPIPE,RR	1	Oshkosh Defense
6	U430GA	SHIELD,HEAT,RR MIDPIPE,ASSY	1	Oshkosh Defense
7	U130PA	SCR,FLG,HEX,DGP M6X20 C8.8 MG	22	Oshkosh Defense
8	U132EA	NUT,SELF-LOCKING, EXTENDED WASHER,HEXAGON, M6-1.0 C10 MB	2	Oshkosh Defense
9	U430LA	SCREW,CAP,HEXAGON HEAD,M6-1.0X10 C10.9 MB	2	Oshkosh Defense
10	U430MA	BRKT,HTSHLD MTG,MID	1	Oshkosh Defense
11	U430NA	BRKT,HTSHLD MTG,FR, ASSY	1	Oshkosh Defense
12	U430PA	BRKT,HTSHLD MTG,RR, ASSY	1	Oshkosh Defense

EXHAUST HEAT SHIELD, FWD



EXHAUST SYSTEM**Table 120. EXHAUST HEAT SHIELD,FWD**

Item Number	Part Number	Description	Quantity	Primary Source
1	U430JA	SHIELD,HEAT, MIDPIPE,FR	1	Oshkosh Defense
2	U430HA	SHIELD,HEAT, SECONDARY CAT,ASSY	1	Oshkosh Defense
3	U430KA	SHIELD,HEAT,CAT,FR ASSY	1	Oshkosh Defense
4	U430FA	SHIELD,HEAT,MID,RR MIDPIPE,ASSY	1	Oshkosh Defense
5	U430EA	SHIELD,HEAT, MIDPIPE,RR	1	Oshkosh Defense
6	U430GA	SHIELD,HEAT,RR MIDPIPE,ASSY	1	Oshkosh Defense
7	U130PA	SCR,FLG,HEX,DGP M6X20 C8.8 MG	21	Oshkosh Defense
8	U132EA	NUT,SELF-LOCKING, EXTENDED WASHER,HEXAGON, M6-1.0 C10 MB	2	Oshkosh Defense
9	U430LA	SCREW,CAP,HEXAGON HEAD,M6-1.0X10 C10.9 MB	2	Oshkosh Defense
10	U430MA	BRKT,HTSHLD MTG,MID	1	Oshkosh Defense
11	U430NA	BRKT,HTSHLD MTG,FR, ASSY	1	Oshkosh Defense
12	U430PA	BRKT,HTSHLD MTG,RR, ASSY	1	Oshkosh Defense



FUEL TANK ASSEMBLY



Table 121. FUEL TANK ASSEMBLY

Item Number	Part Number	Description	Quantity	Primary Source
1	U4406A	TANK ASSY,FUEL,26G	1	Oshkosh Defense
2	U4407A	FUEL PUMP ASSY	1	Oshkosh Defense
3	U4408A	GASKET,FUEL PUMP, FUEL TANK	1	Oshkosh Defense
4	U4409A	RING,RETAINING,FUEL PUMP	1	Oshkosh Defense
5	U440AA	SHIELD,HEAT,FUEL TANK 26G	1	Oshkosh Defense
6	U440BA	FEED LINE,FUEL,FUEL TANK 26G	1	Oshkosh Defense
7	U440CA	CV LINE,FUEL,FUEL TANK 26G	1	Oshkosh Defense
8	U440DA	TRIM PIN,FUEL TANK 10X3	5	Oshkosh Defense
9	U4400A	CLIP,MOC 12-14 90 NY	1	Oshkosh Defense
10	U4402A	CABLE TIE 210.4X4.70 MOC NY	2	Oshkosh Defense
11	U4404A	BOLT M10X58 HF MAT 10	2	Oshkosh Defense
12	U130PA	SCR,FLG,HEX,DGP M6X16 C8.8 MG	2	Oshkosh Defense
13	U2104A	SCR,FLG,HEX M8-1.25X25 C10.9MG	8	Oshkosh Defense
14	U440GA	SCR,BTN,SOC,NY M8-1.25X16 MB	4	Oshkosh Defense
15	U440EA	STRAP,FUEL TANK MTG,FR	1	Oshkosh Defense
16	U440FA	STRAP,FUEL TANK MTG,REAR	1	Oshkosh Defense
17	U440JA	FTK SPRT BRKT ASSY	1	Oshkosh Defense
18	U440HA	BRKT,FTK STRAP,RR WELDMENT	1	Oshkosh Defense
19	U4405A	HOSE ASSY,FUEL FILL,LOWER	1	Oshkosh Defense
20	U4401A	TUBE ASSY,FUEL FILL,UPPER	1	Oshkosh Defense
21	U4403A	TUBE ASSY,FUEL VAPOR	1	Oshkosh Defense

FUEL FILL COVER,ICE



Table 122. FUEL FILL COVER,ICE

Item Number	Part Number	Description	Quantity	Primary Source
1	U440XA	COVER,FUEL LINE,LWR	1	Oshkosh Defense
2	U1501A	SCR,FLG,HEX,DGP M8X20 C8.8 MG	6	Oshkosh Defense
3	U440ZA	COVER,FUEL FILL,UPR	1	Oshkosh Defense
4	U4411A	COVER,FUEL FILL DOOR	1	Oshkosh Defense
5	U4412A	FUEL,HOUSING	1	Oshkosh Defense
6	U4413A	PLUG,FILL RAMP	1	Oshkosh Defense

FUEL FILL COVER, BEV



Table 123. FUEL FILL COVER,BEV

Item Number	Part Number	Description	Quantity	Primary Source
1	U440XA	COVER,FUEL LINE,LWR	1	Oshkosh Defense
2	U1501A	SCR,FLG,HEX,DGP M8X20 C8.8 MG	6	Oshkosh Defense
3	U440YA	PLUG,FUEL FILL DOOR COVER	1	Oshkosh Defense
4	U440ZA	COVER,FUEL FILL,UPR	1	Oshkosh Defense

PLUMBING, FUEL SYSTEM

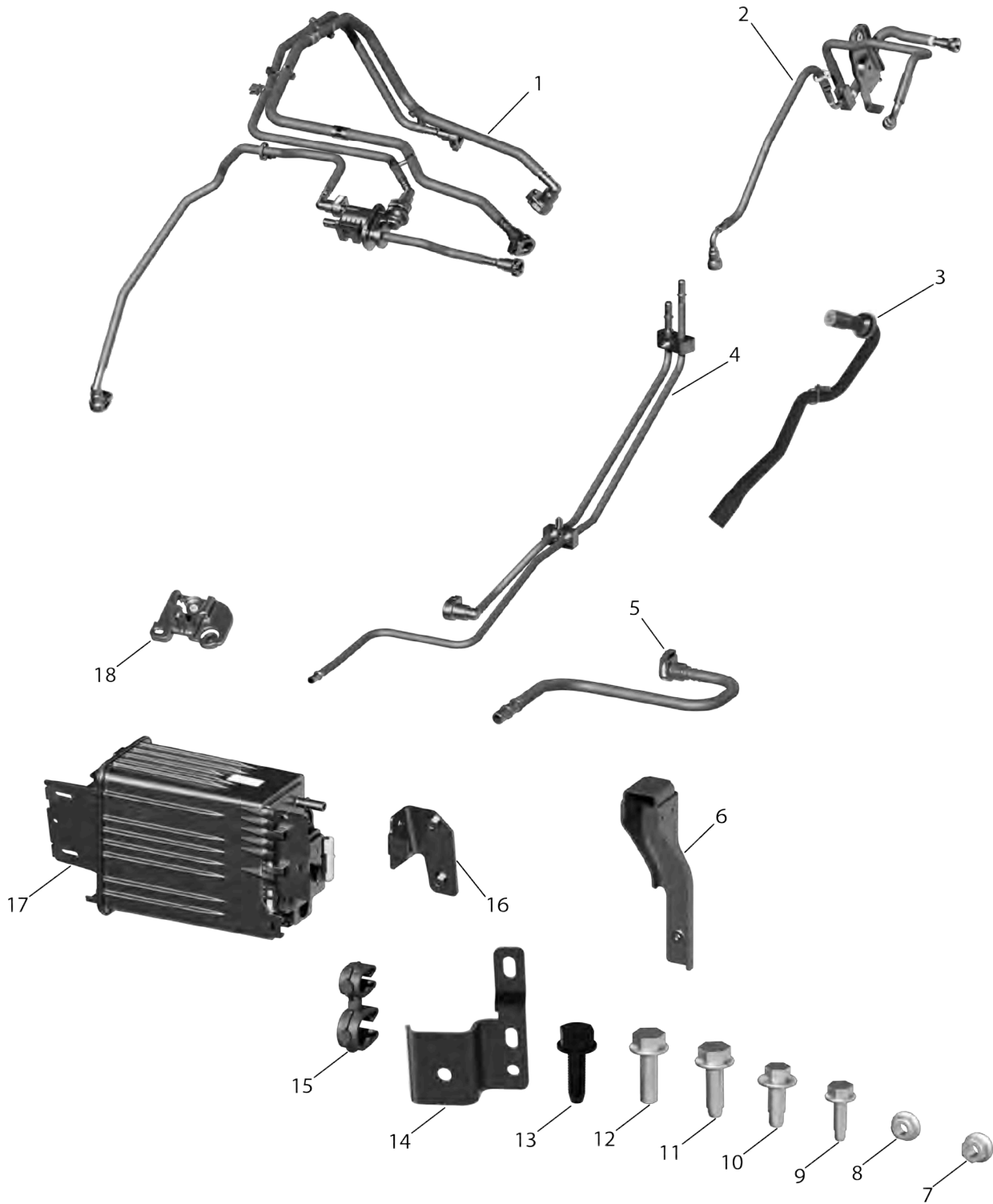


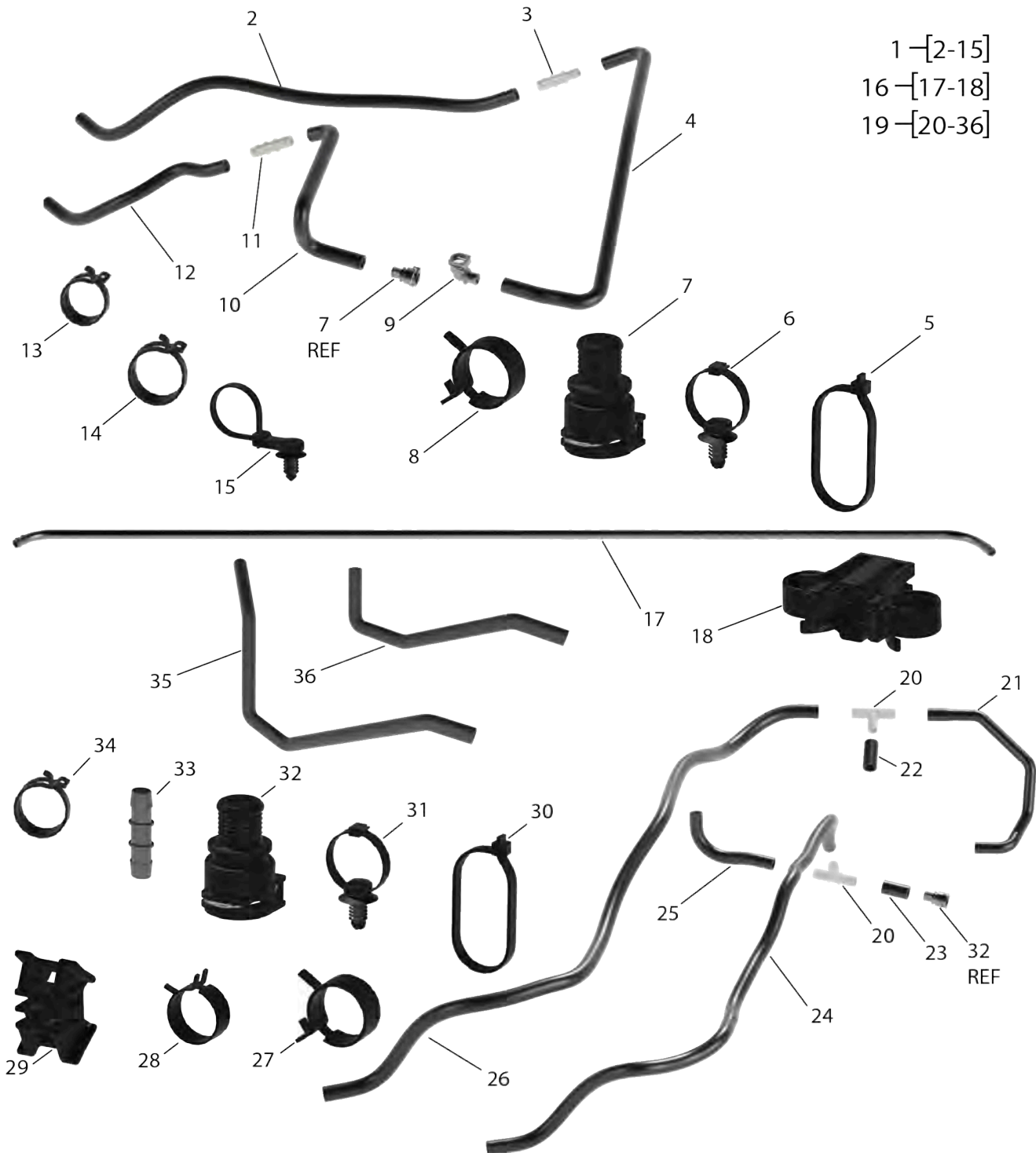
Table 124. PLUMBING,FUEL SYSTEM

Item Number	Part Number	Description	Quantity	Primary Source
1	U440NA	TUBE ASSY,FUEL VAPOR,ENG	1	Oshkosh Defense
2	U440MA	TUBE ASSY,FUEL SPLY,ENG	1	Oshkosh Defense
3	U440PA	TUBE ASSY,FUEL VAPOR,VENT	1	Oshkosh Defense
4	U440LA	TUBE ASSY,FUEL SPLY-VAPOR,LWR	1	Oshkosh Defense
5	U440RA	TUBE ASSY,FUEL VAPOR,JUMPER	1	Oshkosh Defense
6	U440UA	BRKT,IB PRMRY EVAP CSTR ASSY	1	Oshkosh Defense
7	U422UA	NUT,FLG,LK M6 C8.8	2	Oshkosh Defense
8	U421SA	NUT,FLG M6-1.0 C10 MG	2	Oshkosh Defense
9	U5200A	SCR,FLG,HEX,DGP M6X20 C8.8 MG	1	Oshkosh Defense
10	U1501A	SCR,FLG,HEX,DGP M8X20 C8.8 MG	3	Oshkosh Defense
11	U2104A	SCR,FLG,HEX M8-1.25X25 C10.9MG	1	Oshkosh Defense
12	U440SA	SCR,FLG,HEX M8-1.25X20 C10.9MG	1	Oshkosh Defense
13	U131KA	SCREW,CAP,HEXAGON HEAD,M6-1.0X20 C10.9 MB	1	Oshkosh Defense
14	U440QA	BRKT,STDF,FUEL	1	Oshkosh Defense
15	U440KA	CLIP,OMEGA-DBL 14-10 PA	1	Oshkosh Defense
16	U440TA	BRKT,EVAP CSTR,PRI, OUTBD,ASSY	1	Oshkosh Defense
17	U440VA	FUEL VAPOR STOR CSTR ASSY	1	Oshkosh Defense
18	U440WA	BRKT,FUEL VLV	1	Oshkosh Defense

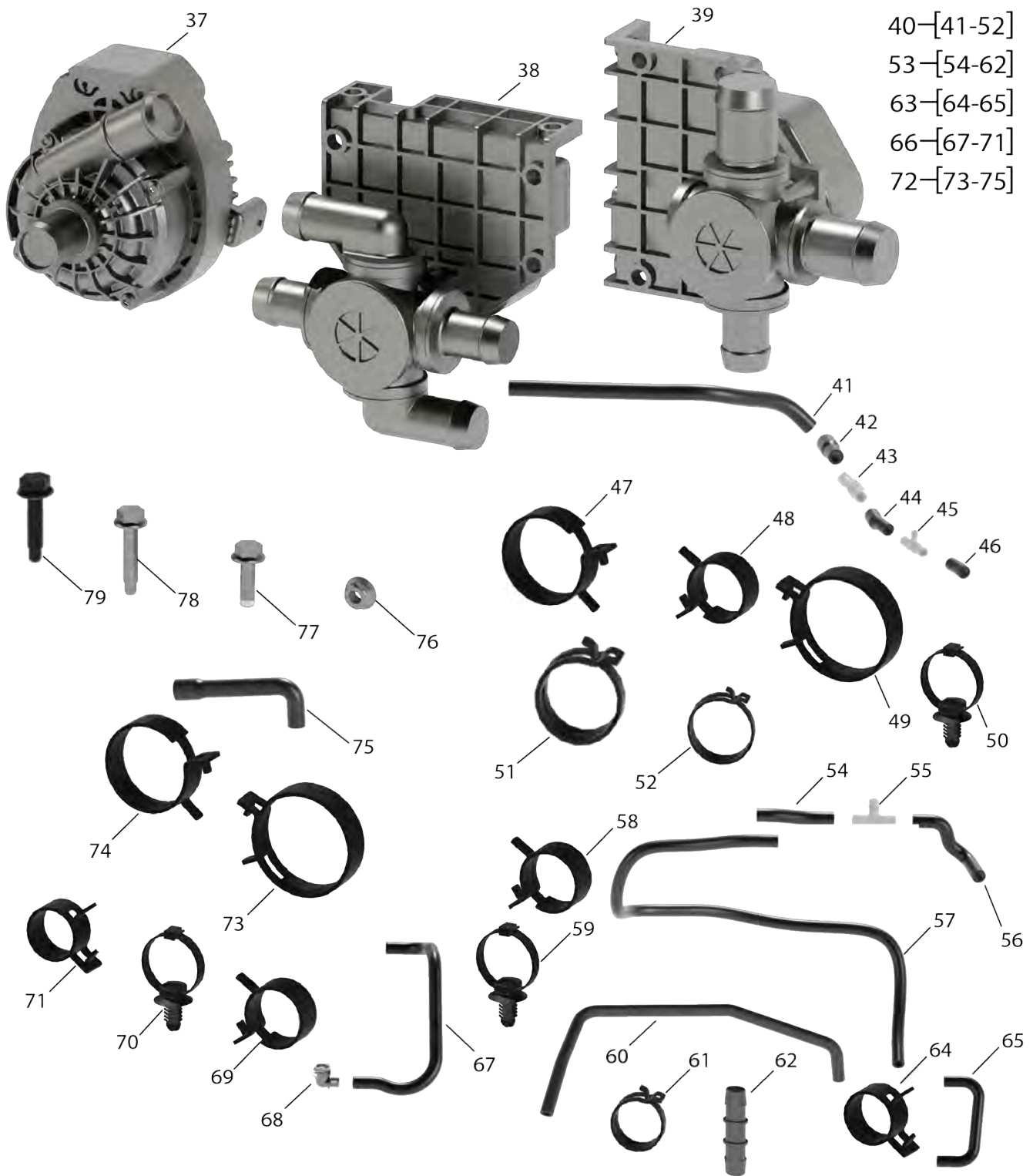


BEV COOLING

PE CIRCUIT,AWD,BEV



PE CIRCUIT,AWD,BEV



COOLING SYSTEM

Table 125. PE CIRCUIT,AWD,BEV

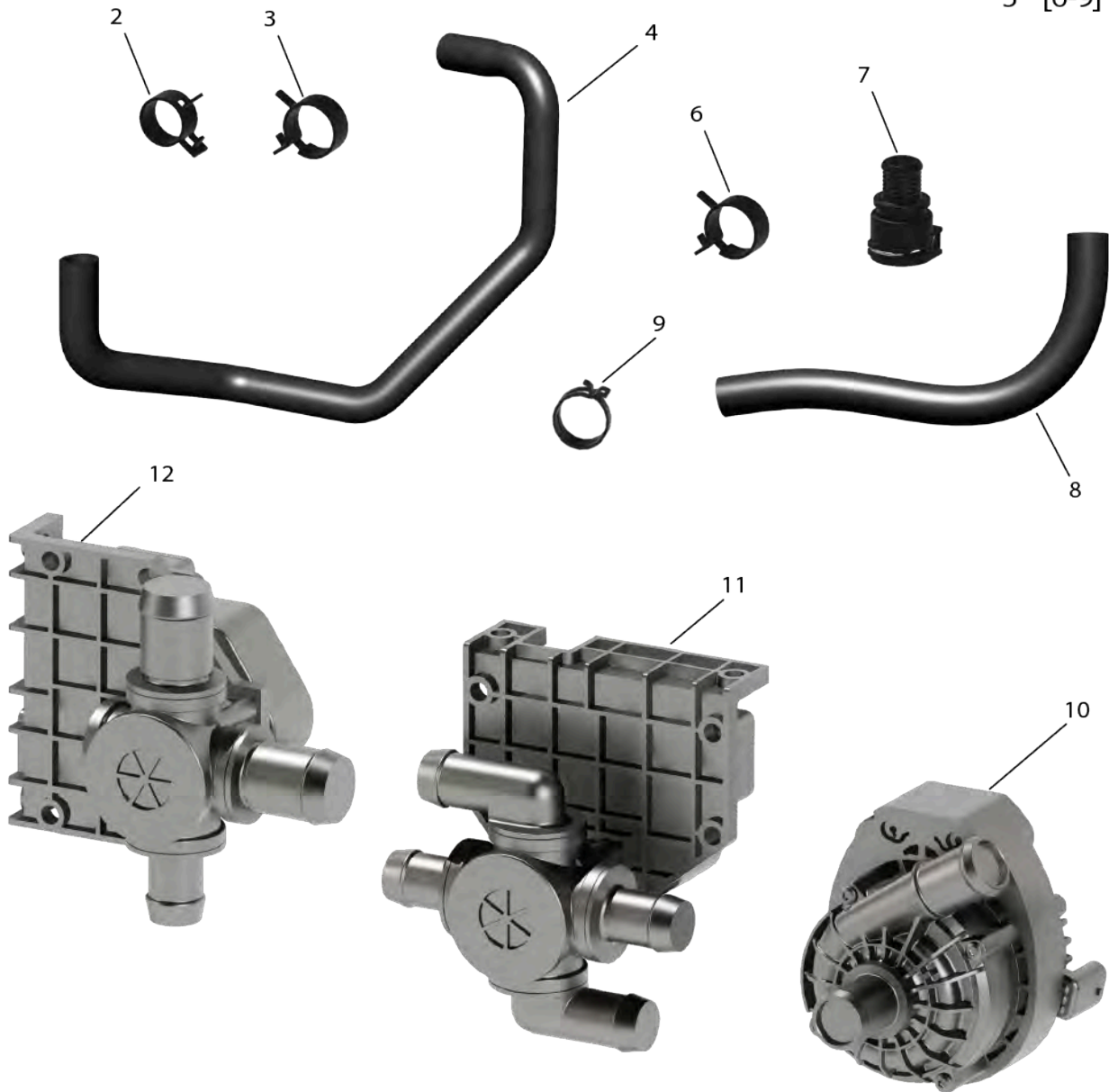
Item Number	Part Number	Description	Quantity	Primary Source
1	U420DA	HOSE ASSY,CLNT,REAR EDU	1	Oshkosh Defense
2	U420JA	HOSE,COOLANT,19MM EPDM	1	Oshkosh Defense
3	U420LA	FTG,ST 12BD-10BD MM PL	1	Oshkosh Defense
4	U420HA	TUBE,PE CIRC 16MM RBR	1	Oshkosh Defense
5	U420NA	TIE,CABLE ELECTRICAL COMPONENTS,11.41X.184	2	Oshkosh Defense
6	U2763A	MOUNTING BASE,TIE TIEDOWN,ELECTRICAL	7	Oshkosh Defense
7	U420EA	FTG,ST NW12-12BARB FM PL	1	Oshkosh Defense
8	U420PA	CLAMP,HOSE-SPR 28.0-24.3 MB	2	Oshkosh Defense
9	U420MA	FTG,90 19BD-10QDC MF PL	1	Oshkosh Defense
10	U420GA	TUBE,PE CIRC 19MM RBR	1	Oshkosh Defense
11	U420FA	FTG,ST 12BEAD-12BEAD MM PL	1	Oshkosh Defense
12	U420KA	HOSE,COOLANT,19MM EPDM	1	Oshkosh Defense
13	U420QA	CLAMP,HOSE-SPR,23 MB	2	Oshkosh Defense
14	U420RA	CLAMP,HOSE-SPR,26 M	4	Oshkosh Defense
15	U420SA	WIRE TIE MOUNT	1	Oshkosh Defense
16	U420TA	TUBE ASSY,REAR EDU	1	Oshkosh Defense
17	U420UA	TUBE,PE CIRC,RET RR PDU NY	2	Oshkosh Defense
18	U420VA	CLIP,SPL 18.0-21.4 NY STUD MT	5	Oshkosh Defense
19	U420WA	HOSE ASSY,REAR EDU, FR	1	Oshkosh Defense
20	U4211A	FTG,TEE, 12BD-12BD-12BD PL	2	Oshkosh Defense
21	U4215A	TUBE,PE CIRC 19MM RBR	1	Oshkosh Defense
22	U420YA	HOSE,CLNT 19MM X 60MM RBR	1	Oshkosh Defense
23	U420ZA	HOSE,CLNT 19MM X 51MM RBR	1	Oshkosh Defense
24	U4214A	TUBE,CLNT,BATT 19MM RBR	1	Oshkosh Defense
25	U4210A	TUBE,CLNT,BATT 19MM RBR	1	Oshkosh Defense
26	U4213A	TUBE,CLNT,BATT 19MM RBR	1	Oshkosh Defense
27	U420PA	CLAMP,HOSE-SPR 28.0-24.3 MB	4	Oshkosh Defense
28	U4212A	CLAMP,HOSE-SPR 24.7-21.0 MB	1	Oshkosh Defense
29	U420XA	MOUNTING BASE, TIEDOWN,ELECTRICAL	3	Oshkosh Defense
30	U420NA	TIE,CABLE ELECTRICAL COMPONENTS,11.41X.184	7	Oshkosh Defense
31	U2763A	MOUNTING BASE,TIE TIEDOWN,ELECTRICAL	1	Oshkosh Defense
32	U420EA	FTG,ST NW12-12BARB FM PL	1	Oshkosh Defense
33	U420FA	FTG,ST 12BEAD-12BEAD MM PL	2	Oshkosh Defense
34	U420RA	CLAMP,HOSE-SPR,26 M	11	Oshkosh Defense
35	U4216A	TUBE,CLNT,BATT 19MM	1	Oshkosh Defense
36	U4217A	TUBE,CLNT,BATT 19MM	1	Oshkosh Defense
37	U420CA	PUMP,COOLANT,12V 80W	1	Oshkosh Defense
38	U421UA	VALVE,4 PORT, COOLANT,12V,PWM	1	Oshkosh Defense
39	U421VA	VALVE,3 PORT, COOLANT,12V,PWM	1	Oshkosh Defense
40	U4218A	HOSE ASSY,CLT,RAD BTPASS	1	Oshkosh Defense
41	U421GA	HOSE,CLNT,FORMED 25.4MM ID	1	Oshkosh Defense
42	U4219A	HOSE,FORMED 35MM ID X 19 MM ID	1	Oshkosh Defense
43	U421BA	FTG,TEE 16BD-16BD-16BD NY	1	Oshkosh Defense
44	U421AA	HOSE,FORMED 25.4MM ID X 19MM ID	1	Oshkosh Defense
45	U421DA	SENSOR,COOLANT TEMP 12V INLINE	1	Oshkosh Defense
46	U421CA	HOSE,CLNT 19MM ID X 56MM RBR	1	Oshkosh Defense
47	U421EA	CLAMP,HOSE-SPR 38.0-31.5 MB	1	Oshkosh Defense
48	U420PA	CLAMP,HOSE-SPR 28.0-24.3 MB	1	Oshkosh Defense
49	U421FA	CLAMP,HOSE-SPR 44.5-37.5 MB	1	Oshkosh Defense
50	U2763A	MOUNTING BASE,TIE TIEDOWN,ELECTRICAL	2	Oshkosh Defense
51	U423FA	CLAMP,HOSE-SPR,35MB	3	Oshkosh Defense
52	U420RA	CLAMP,HOSE-SPR,26 M	2	Oshkosh Defense
53	U421KA	HOSE ASSY,PE PUMP, INLET	1	Oshkosh Defense
54	U421MA	HOSE,CLNT 19MM X 159MM RBR	1	Oshkosh Defense
55	U4211A	FTG,TEE, 12BD-12BD-12BD PL	1	Oshkosh Defense
56	U421NA	TUBE,PE CIRC 19MM RBR	1	Oshkosh Defense
57	U421LA	HOSE,CLNT,FORMED 25.4MM ID	1	Oshkosh Defense
58	U420PA	CLAMP,HOSE-SPR 28.0-24.3 MB	3	Oshkosh Defense

Table 125. PE CIRCUIT,AWD,BEV (continued)

Item Number	Part Number	Description	Quantity	Primary Source
59	U2763A	MOUNTING BASE,TIE TIEDOWN,ELECTRICAL	4	Oshkosh Defense
60	U421PA	HOSE,CLNT,FORMED 25.4MM ID	1	Oshkosh Defense
61	U420RA	CLAMP,HOSE-SPR,26 M	5	Oshkosh Defense
62	U420FA	FTG,ST 12BEAD-12BEAD MM PL	1	Oshkosh Defense
63	U421HA	HOSE ASSY,DC-DC-OBC	1	Oshkosh Defense
64	U4212A	CLAMP,HOSE-SPR 24.7-21.0 MB	2	Oshkosh Defense
65	U421JA	HOSE,COOLANT,FORMED 16MM ID	1	Oshkosh Defense
66	U421QA	HOSE ASSY,EDU SUPPLY,FR	1	Oshkosh Defense
67	U421RA	HOSE,COOLANT,FORMED 16MM ID	1	Oshkosh Defense
68	U420MA	FTG,90 19BD-10QDC MF PL	1	Oshkosh Defense
69	U420QA	CLAMP,HOSE-SPR,23 MB	1	Oshkosh Defense
70	U2763A	MOUNTING BASE,TIE TIEDOWN,ELECTRICAL	2	Oshkosh Defense
71	U4212A	CLAMP,HOSE-SPR 24.7-21.0 MB	1	Oshkosh Defense
72	U421WA	HOSE ASSY,RADIATOR SUPPLY	1	Oshkosh Defense
73	U421FA	CLAMP,HOSE-SPR 44.5-37.5 MB	1	Oshkosh Defense
74	U421EA	CLAMP,HOSE-SPR 38.0-31.5 MB	1	Oshkosh Defense
75	U421XA	HOSE,FRMD 35MM ID X 25MM ID,RB	1	Oshkosh Defense
76	U421SA	NUT,FLG M6-1.0 C10 MG	1	Oshkosh Defense
77	U131KA	SCREW,CAP,HEXAGON HEAD,M6-1.0X20 C10.9 MB	4	Oshkosh Defense
78	U421TA	SCR,FLG,HEX,DGP M6X30 C8.8 MG	1	Oshkosh Defense
79	U4202A	SCR,FLG,HEX,DGP M6X25 C8.8 MG	2	Oshkosh Defense

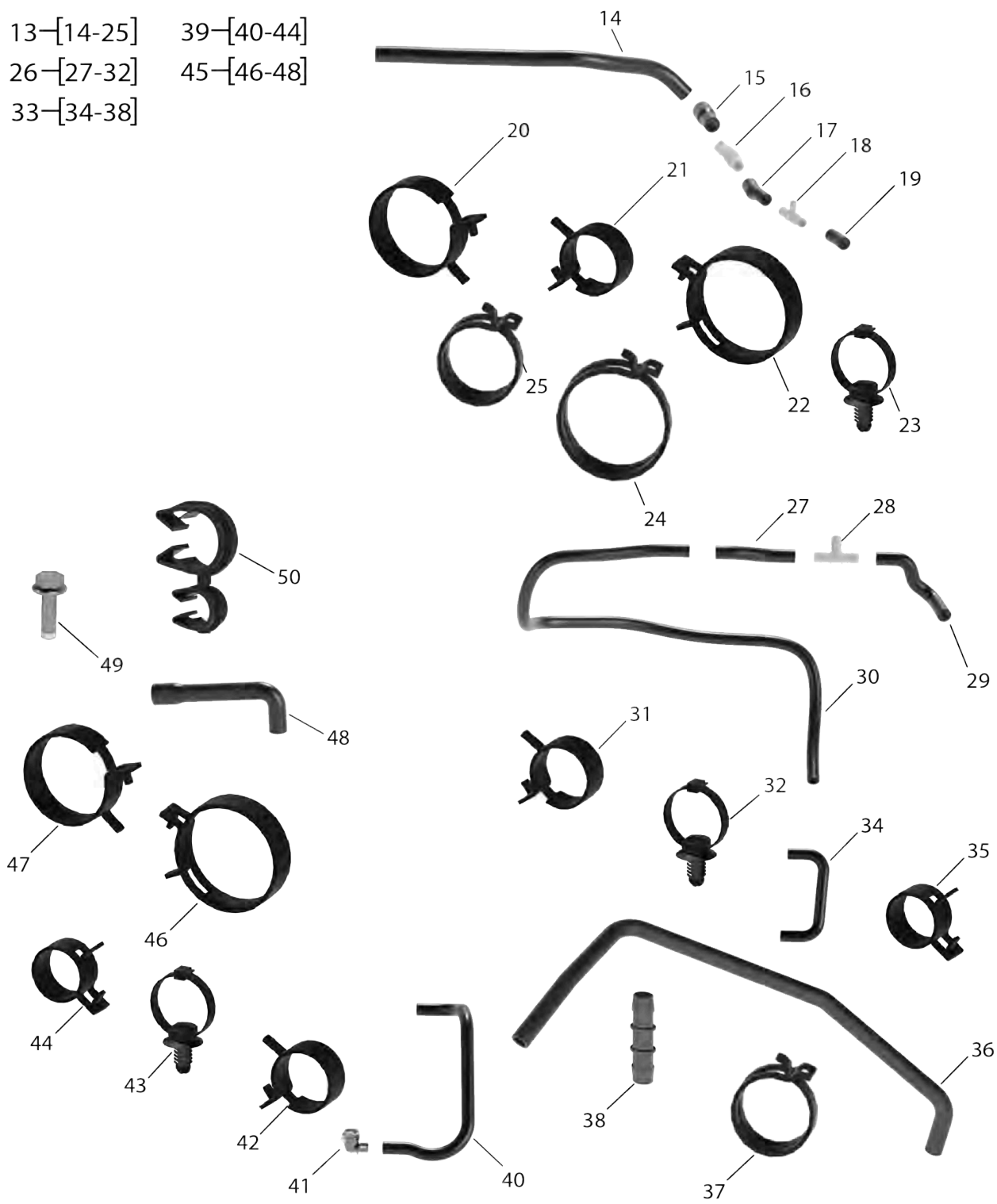
PE CIRCUIT,FWD,BEV

1-[2-4]
5-[6-9]



PE CIRCUIT,FWD,BEV

- 13-[14-25]
- 26-[27-32]
- 33-[34-38]
- 39-[40-44]
- 45-[46-48]

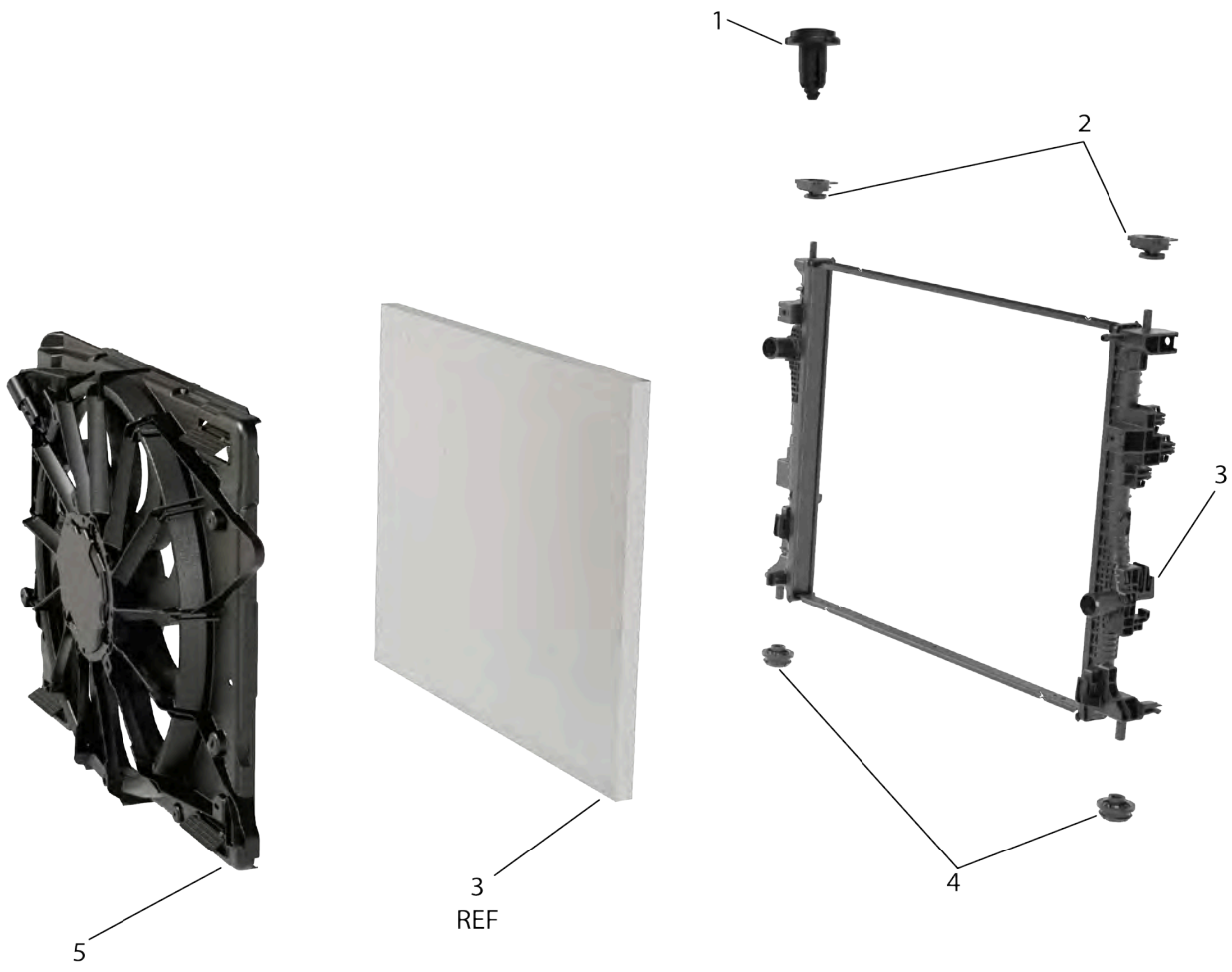


COOLING SYSTEM

Table 126. PE CIRCUIT,FWD,BEV

Item Number	Part Number	Description	Quantity	Primary Source
1	U421ZA	HOSE ASSY,PUMP, DISCHARGE	1	Oshkosh Defense
2	U4212A	CLAMP,HOSE-SPR 24.7-21.0 MB	1	Oshkosh Defense
3	U420PA	CLAMP,HOSE-SPR 28.0-24.3 MB	1	Oshkosh Defense
4	U4220A	TUBE,PE CIRC 16MM RBR	1	Oshkosh Defense
5	U4221A	HOSE ASSY,CLNT,FR EDU OUT,FWD	1	Oshkosh Defense
6	U420PA	CLAMP,HOSE-SPR 28.0-24.3 MB	1	Oshkosh Defense
7	U420EA	FTG,ST NW12-12BARB FM PL	1	Oshkosh Defense
8	U4222A	HOSE,CLNT,FORMED 19MM ID	1	Oshkosh Defense
9	U420RA	CLAMP,HOSE-SPR,26 M	1	Oshkosh Defense
10	U420CA	PUMP,COOLANT,12V 80W	1	Oshkosh Defense
11	U421UA	VALVE,4 PORT, COOLANT,12V,PWM	1	Oshkosh Defense
12	U421VA	VALVE,3 PORT, COOLANT,12V,PWM	1	Oshkosh Defense
13	U4218A	HOSE ASSY,CLT,RAD BTPASS	1	Oshkosh Defense
14	U421GA	HOSE,CLNT,FORMED 25.4MM ID	1	Oshkosh Defense
15	U4219A	HOSE,FORMED 35MM ID X 19 MM ID	1	Oshkosh Defense
16	U421BA	FTG,TEE 16BD-16BD-16BD NY	1	Oshkosh Defense
17	U421AA	HOSE,FORMED 25.4MM ID X 19MM ID	1	Oshkosh Defense
18	U421DA	SENSOR,COOLANT TEMP 12V INLINE	1	Oshkosh Defense
19	U421CA	HOSE,CLNT 19MM ID X 56MM RBR	1	Oshkosh Defense
20	U421EA	CLAMP,HOSE-SPR 38.0-31.5 MB	1	Oshkosh Defense
21	U420PA	CLAMP,HOSE-SPR 28.0-24.3 MB	1	Oshkosh Defense
22	U421FA	CLAMP,HOSE-SPR 44.5-37.5 MB	1	Oshkosh Defense
23	U2763A	MOUNTING BASE,TIE TIEDOWN,ELECTRICAL	2	Oshkosh Defense
24	U420RA	CLAMP,HOSE-SPR,26 M	2	Oshkosh Defense
25	U423FA	CLAMP,HOSE-SPR,35MB	3	Oshkosh Defense
26	U421KA	HOSE ASSY,PE PUMP, INLET	1	Oshkosh Defense
27	U421MA	HOSE,CLNT 19MM X 159MM RBR	1	Oshkosh Defense
28	U4211A	FTG,TEE, 12BD-12BD-12BD PL	1	Oshkosh Defense
29	U421NA	TUBE,PE CIRC 19MM RBR	1	Oshkosh Defense
30	U421LA	HOSE,CLNT,FORMED 25.4MM ID	1	Oshkosh Defense
31	U420PA	CLAMP,HOSE-SPR 28.0-24.3 MB	3	Oshkosh Defense
32	U2763A	MOUNTING BASE,TIE TIEDOWN,ELECTRICAL	4	Oshkosh Defense
33	U421HA	HOSE ASSY,DC-DC-OBC	1	Oshkosh Defense
34	U421JA	HOSE,COOLANT,FORMED 16MM ID	1	Oshkosh Defense
35	U4212A	CLAMP,HOSE-SPR 24.7-21.0 MB	2	Oshkosh Defense
36	U421PA	HOSE,CLNT,FORMED	1	Oshkosh Defense
37	U420RA	CLAMP,HOSE-SPR,26 M	5	Oshkosh Defense
38	U420FA	FTG,ST 12BEAD-12BEAD MM PL	1	Oshkosh Defense
39	U421QA	HOSE ASSY,EDU SUPPLY,FR	1	Oshkosh Defense
40	U421RA	HOSE,COOLANT,FORMED 16MM ID	1	Oshkosh Defense
41	U420MA	FTG,90 19BD-10QDC MF PL	1	Oshkosh Defense
42	U420QA	CLAMP,HOSE-SPR,23 MB	1	Oshkosh Defense
43	U2763A	MOUNTING BASE,TIE TIEDOWN,ELECTRICAL	2	Oshkosh Defense
44	U4212A	CLAMP,HOSE-SPR 24.7-21.0 MB	1	Oshkosh Defense
45	U421WA	HOSE ASSY,RADIATOR SUPPLY	1	Oshkosh Defense
46	U421FA	CLAMP,HOSE-SPR 44.5-37.5 MB	1	Oshkosh Defense
47	U421EA	CLAMP,HOSE-SPR 38.0-31.5 MB	1	Oshkosh Defense
48	U421XA	HOSE,FRMD 35MM ID X 25MM ID,RB	1	Oshkosh Defense
49	U131KA	SCREW,CAP,HEXAGON HEAD,M6-1.0X20 C10.9 MB	4	Oshkosh Defense
50	U423GA	CLIP,OMEGA-DBL 16MM 26MM NY	1	Oshkosh Defense

COOLING PACK



COOLING PACK

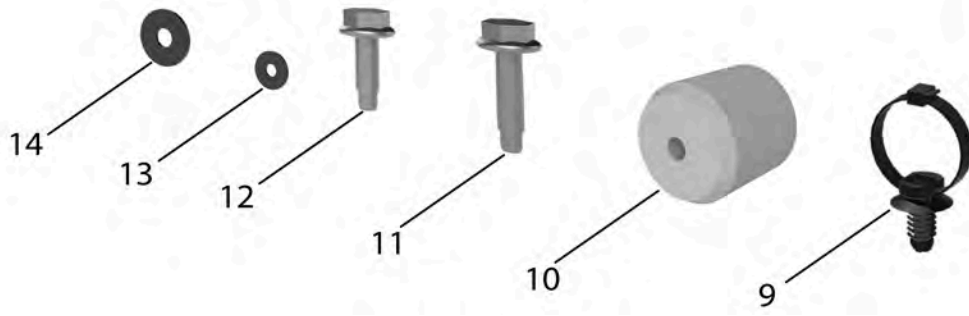
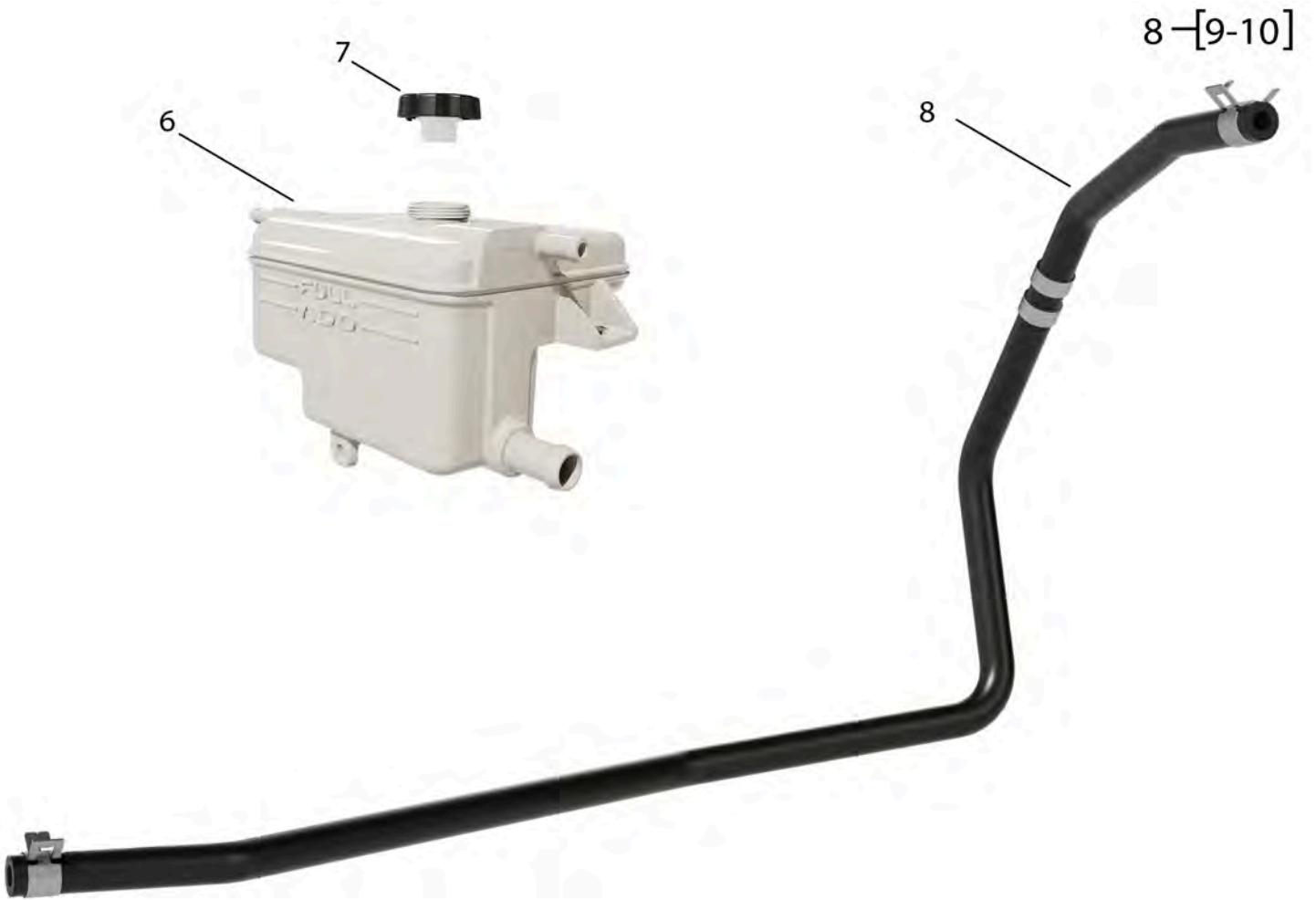
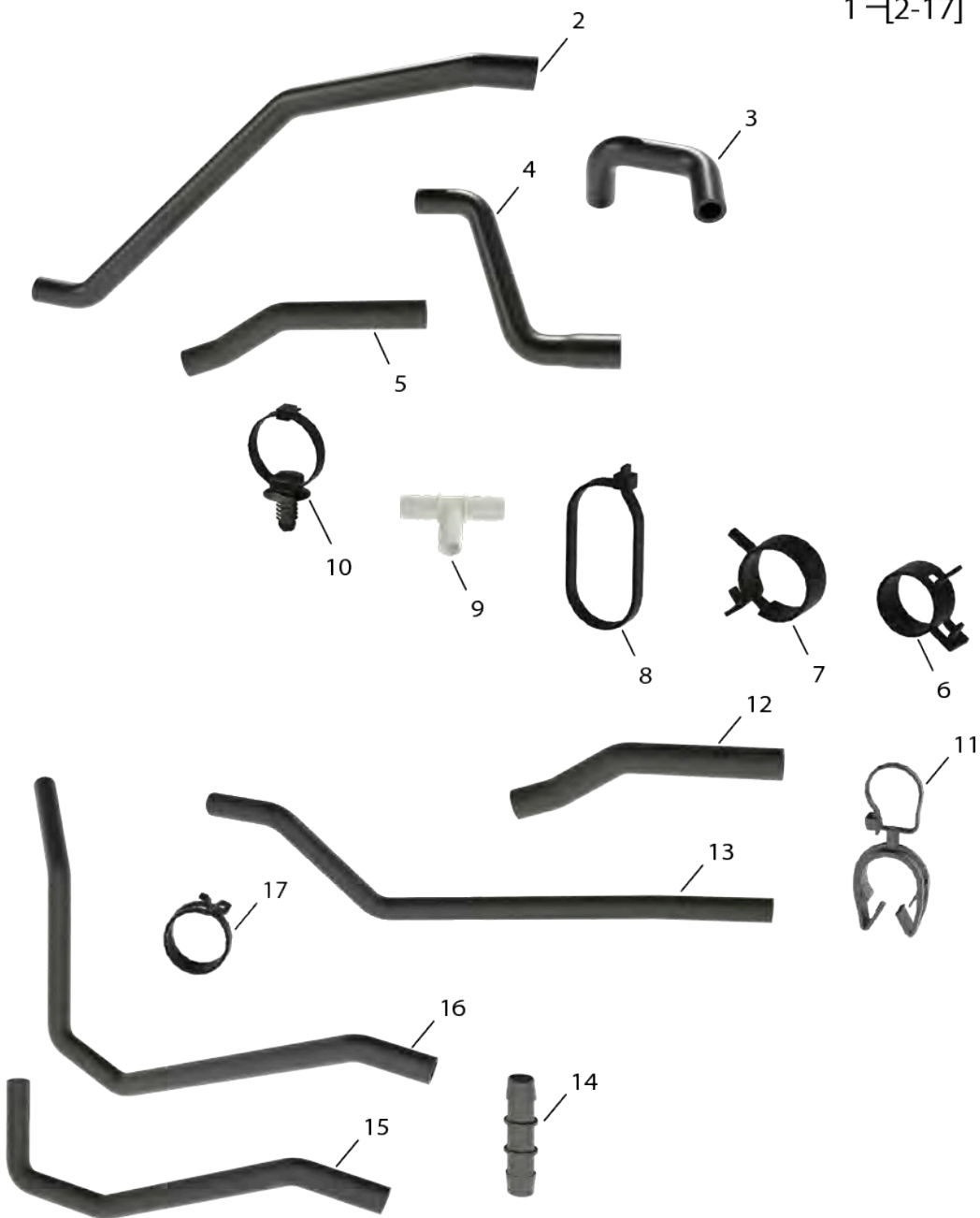


Table 127. COOLING PACK

Item Number	Part Number	Description	Quantity	Primary Source
1	U420BA	PUSHPIN,TRIM 6.2X3-5.8 T30 PL	2	Oshkosh Defense
2	U420AA	ISO MOUNT,SPL, UPPER,RBR	2	Oshkosh Defense
3	U4209A	COOLER ASSY, RADIATOR	1	Oshkosh Defense
4	U4206A	ISO MOUNT,SPL, LOWER,RBR	2	Oshkosh Defense
5	U4207A	FAN-SHROUD ASSY, 300MM SUCT FAN	1	Oshkosh Defense
6	U422ZA	TANK,SURGE,2L,5PSI, MAIN BEV,PL	1	Oshkosh Defense
7	U422WA	CAP,SURGE TANK, 5PSI,PLASTIC	1	Oshkosh Defense
8	U422XA	HOSE,COOLANT,VENT, ASSY	1	Oshkosh Defense
9	U2763A	MOUNTING BASE,TIE TIEDOWN,ELECTRICAL	1	Oshkosh Defense
10	U422YA	RESTRICTOR,FLOW 2.0MM	1	Oshkosh Defense
11	U4202A	SCR,FLG,HEX,DGP M6X25 C8.8 MG	2	Oshkosh Defense
12	U5200A	SCR,FLG,HEX,DGP M6X20 C8.8 MG	2	Oshkosh Defense
13	U4230A	WASHER,FLAT M6X18X1.6 MB	2	Oshkosh Defense
14	U4201A	WASH,FLT M6X18.75X1.2 MG	2	Oshkosh Defense

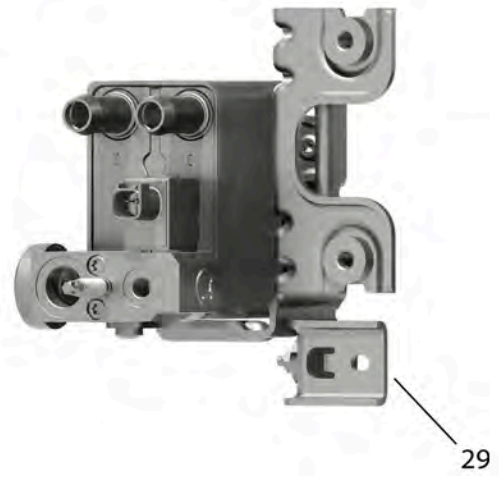
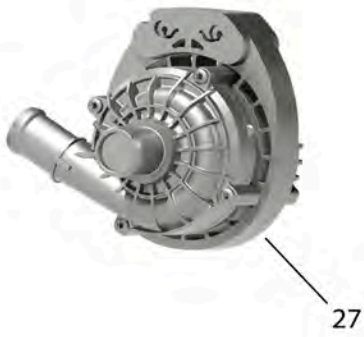
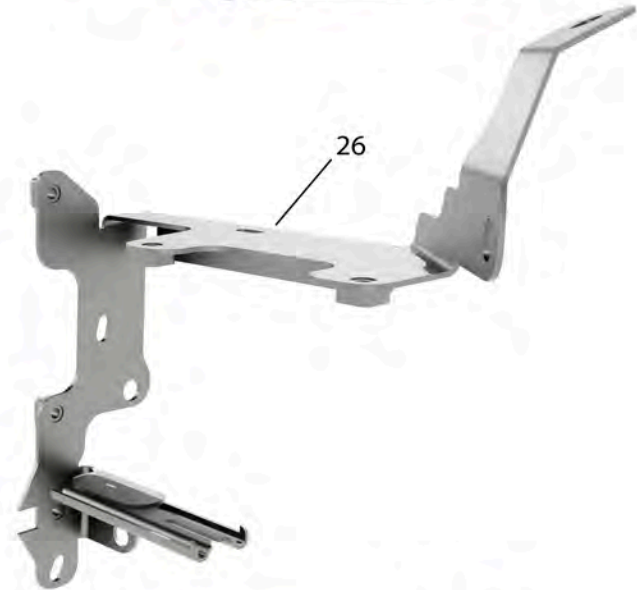
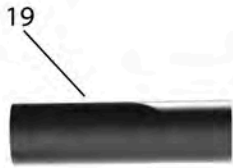
BATTERY CIRCUIT, BEV

1-[2-17]



BATTERY CIRCUIT, BEV

18-[19-20]



COOLING SYSTEM

Table 128. BATTERY CIRCUIT,BEV

Item Number	Part Number	Description	Quantity	Primary Source
1	U4227A	HOSE ASSY,BATTERY LOOP	1	Oshkosh Defense
2	U4229A	HOSE,COOLANT,FORMED 19MM ID	1	Oshkosh Defense
3	U422AA	TUBE,CLNT,BATT 19MM RBR	1	Oshkosh Defense
4	U4228A	HOSE,FORMED 16MM ID X 19MM ID RB	1	Oshkosh Defense
5	U422BA	TUBE,CLNT,BATT 19MM RBR	1	Oshkosh Defense
6	U420PA	CLAMP,HOSE-SPR 28.0-24.3 MB	7	Oshkosh Defense
7	U4212A	CLAMP,HOSE-SPR 24.7-21.0 MB	1	Oshkosh Defense
8	U420NA	TIE,CABLE ELECTRICAL COMPONENTS,11.41X.184	2	Oshkosh Defense
9	U4211A	FTG,TEE, 12BD-12BD-12BD PL	2	Oshkosh Defense
10	U2763A	MOUNTING BASE,TIE TIEDOWN,ELECTRICAL	4	Oshkosh Defense
11	U422CA	MOUNT,WIRE TIE,LOC	1	Oshkosh Defense
12	U422DA	TUBE,CLNT,BATT 19MM	1	Oshkosh Defense
13	U422EA	TUBE,CLNT,BATT 19MM	1	Oshkosh Defense
14	U420FA	FTG,ST 12BEAD-12BEAD MM PL	1	Oshkosh Defense
15	U422FA	TUBE,CLNT,BATT 19MM	1	Oshkosh Defense
16	U422GA	TUBE,CLNT,BATT 19MM	1	Oshkosh Defense
17	U420RA	CLAMP,HOSE-SPR,26 M	8	Oshkosh Defense
18	U422HA	HOSE ASSY,BATTERY LOOP	1	Oshkosh Defense
19	U422JA	HOSE,COOLANT 16MM X 84MM RBR	1	Oshkosh Defense
20	U4212A	CLAMP,HOSE-SPR 24.7-21.0 MB	2	Oshkosh Defense
21	U422LA	HOSE ASSY,BATTERY LOOP	1	Oshkosh Defense
22	U421TA	SCR,FLG,HEX,DGP M6X30 C8.8 MG	2	Oshkosh Defense
23	U5200A	SCR,FLG,HEX,DGP M6X20 C8.8 MG	3	Oshkosh Defense
24	U422QA	SCR,FLG,HEX M8-1.25X14 C8.8 MG	1	Oshkosh Defense
25	U421SA	NUT,FLG M6-1.0 C10 MG	1	Oshkosh Defense
26	U422MA	BRKT,CHILLER,WLDMT	1	Oshkosh Defense
27	U422NA	PUMP,COOLANT,12V 80W	1	Oshkosh Defense
28	U422KA	VALVE,3 PORT, COOLANT,12V,PWM	1	Oshkosh Defense
29	U422PA	CHILLER ASSY,SOV, 12V	1	Oshkosh Defense

ICE COOLING

PLUMBING,CAC



COOLING SYSTEM**Table 129. PLUMBING,CAC**

Item Number	Part Number	Description	Quantity	Primary Source
1	U422UA	NUT,FLG,LK M6 C8.8	2	Oshkosh Defense
2	U422RA	CAC PLMB ASSY,UPPER	1	Oshkosh Defense
3	U5200A	SCR,FLG,HEX,DGP M6X20 C8.8 MG	1	Oshkosh Defense
4	U422SA	TUBE ASSY,CHARGE AIR,INL,LWR	1	Oshkosh Defense
5	U422TA	TUBE ASSY,CHARGE AIR,OUT	1	Oshkosh Defense
6	U422VA	STUD,UEQL M6X14 M6X12 C10.9	2	Oshkosh Defense

PLUMBING, RADIATOR



COOLING SYSTEM**Table 130. PLUMBING,RADIATOR**

Item Number	Part Number	Description	Quantity	Primary Source
1	U4232A	HOSE,COOLANT,VENT ASSY	1	Oshkosh Defense
2	U4234A	TANK,SURGE,2L, 21PSI,ICE,PL	1	Oshkosh Defense
3	U4233A	HOSE,COOLANT,VENT ASSY	1	Oshkosh Defense
4	U4239A	HOSE ASSY,RDTR,LWR	1	Oshkosh Defense
5	U4237A	VALVE ASSY,HTR WTR CONT	1	Oshkosh Defense
6	U4202A	SCR,FLG,HEX,DGP M6X25 C8.8 MG	2	Oshkosh Defense
7	U421SA	NUT,FLG M6-1.0 C10 MG	2	Oshkosh Defense
8	U4230A	WASHER,FLAT M6X18X1.6 MB	2	Oshkosh Defense
9	U5200A	SCR,FLG,HEX,DGP M6X20 C8.8 MG	1	Oshkosh Defense
10	U423BA	HOSE,COOLANT, OVERFLOW ASSY	1	Oshkosh Defense
11	U423CA	BRKT,COOLANT, SHUNT-RTN	1	Oshkosh Defense
12	U4236A	CAP ASSY,PRESS RLF	1	Oshkosh Defense
13	U4231A	HOSE ASSY,COOLANT, SHUNT-RTN	1	Oshkosh Defense
14	U423AA	HOSE ASSY,RDTR,UPR	1	Oshkosh Defense
15	U4235A	HOSE ASSY,COOLANT, TO ENG SPL	1	Oshkosh Defense
16	U4238A	HOSE ASSY,XMSN OIL CLR,OUT	1	Oshkosh Defense
17	U423DA	RIVET,PUSHPIN, 6.5X2-4.5	1	Oshkosh Defense

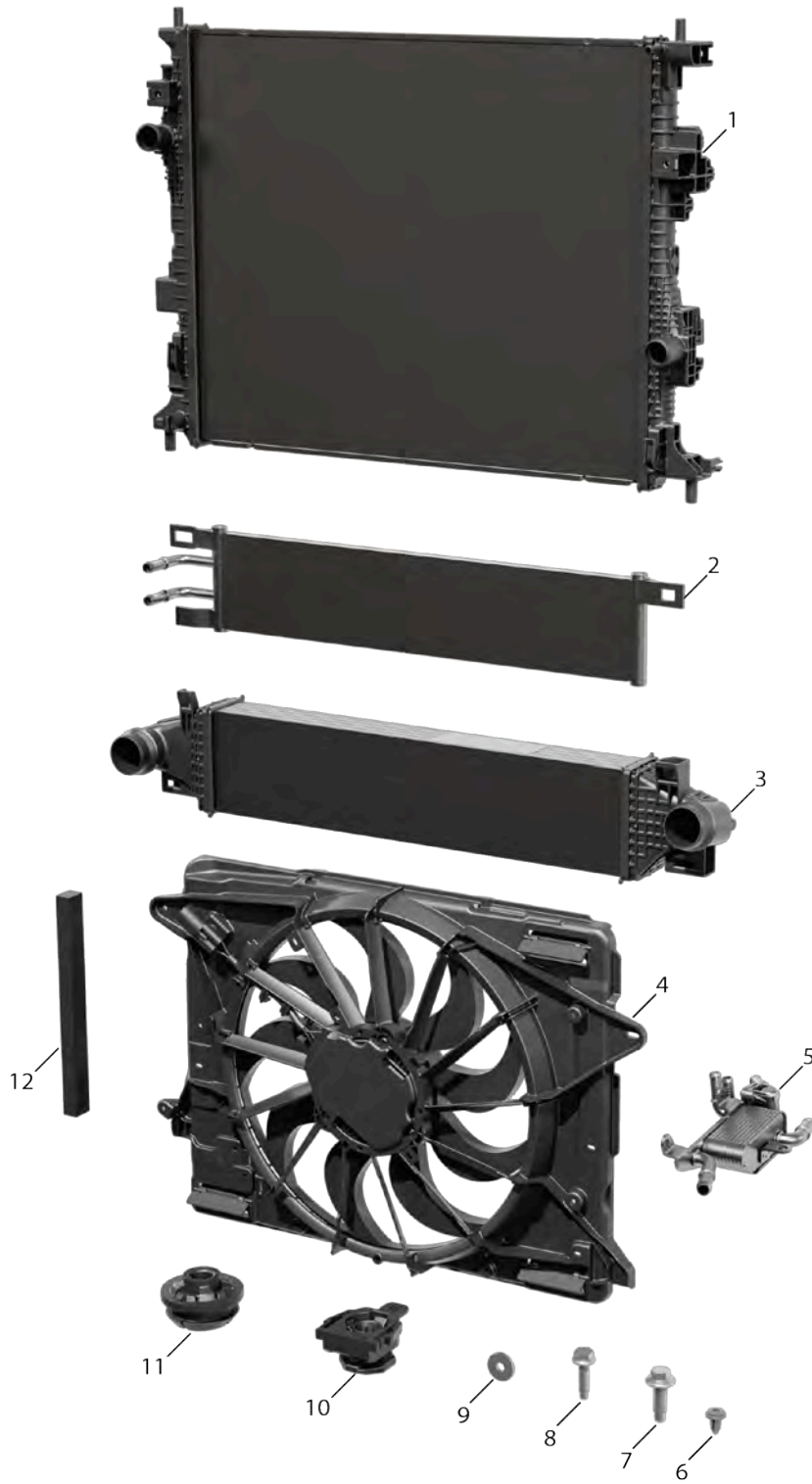
PLUMBING,XSMN,COOLING



COOLING SYSTEM**Table 131. PLUMBING,XSMN,COOLING**

Item Number	Part Number	Description	Quantity	Primary Source
1	U4225A	TUBE ASSY,XMSN OIL CLG, LONG	1	Oshkosh Defense
2	U4226A	STUD,UEQL M6X16 M6X15 C8.8	2	Oshkosh Defense
3	U4224A	TUBE ASSY,XMSN OIL CLG,SHORT	1	Oshkosh Defense
4	U4223A	HOSE ASSY,XMSN OIL CLG,DUAL	1	Oshkosh Defense

COOLING PACKAGE

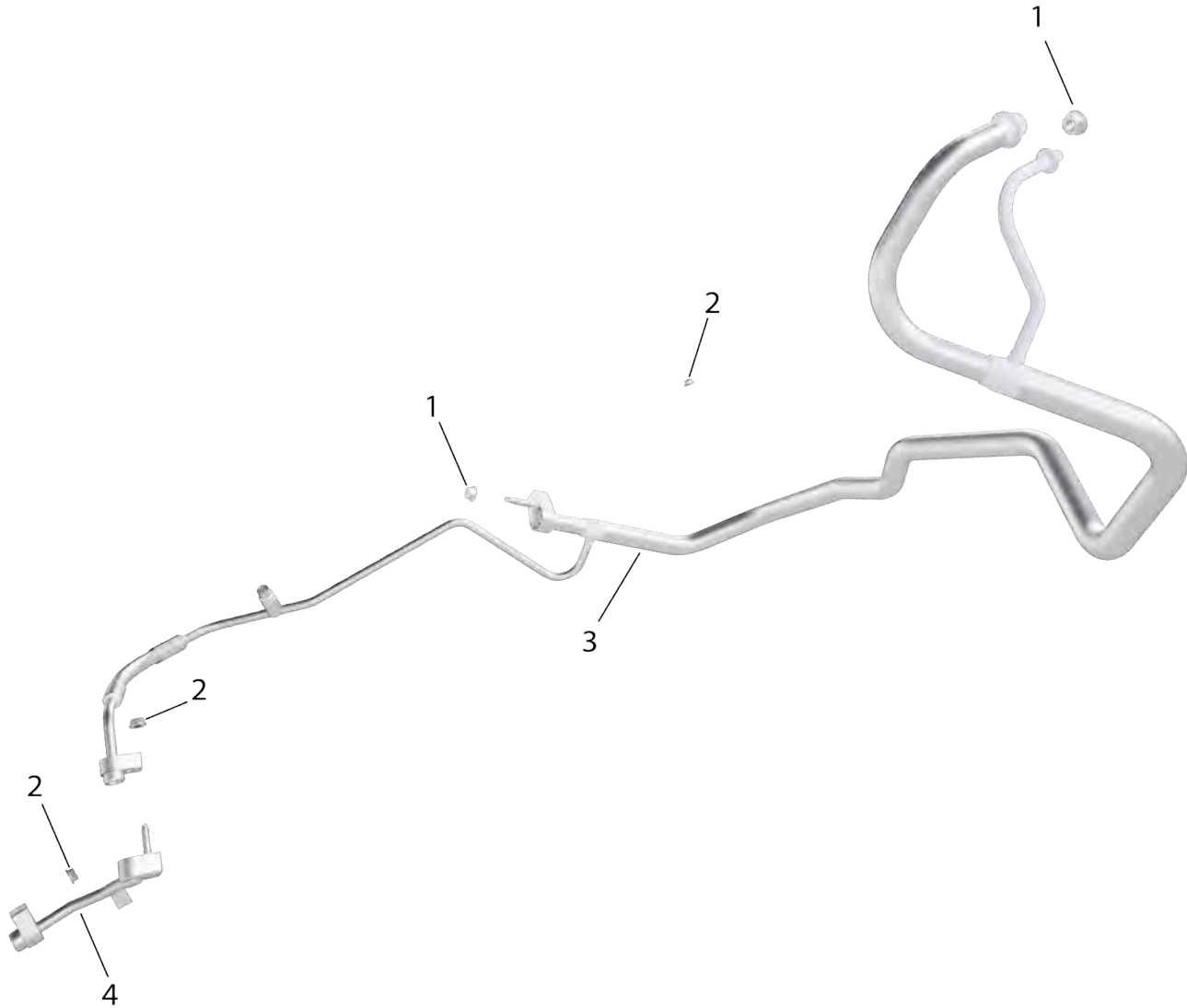


COOLING SYSTEM**Table 132. COOLING PACKAGE**

Item Number	Part Number	Description	Quantity	Primary Source
1	U4209A	COOLER ASSY, RADIATOR	1	Oshkosh Defense
2	U4205A	COOLER ASSY,XMSN, OIL-AIR	1	Oshkosh Defense
3	U4204A	COOLER ASSY,CHARGE AIR	1	Oshkosh Defense
4	U4207A	FAN-SHROUD ASSY, 300MM SUCT FAN	1	Oshkosh Defense
5	U4203A	COOLER ASSY,XMSN, OIL-WATER	1	Oshkosh Defense
6	U420BA	PUSHPIN,TRIM 6.2X3-5.8 T30 PL	2	Oshkosh Defense
7	U1300A	SCR,FLG,HEX,DGP M8X25 C8.8 MG	3	Oshkosh Defense
8	U4202A	SCR,FLG,HEX,DGP M6X25 C8.8 MG	2	Oshkosh Defense
9	U4201A	WASH,FLT M6X18.75X1.2 MG	2	Oshkosh Defense
10	U420AA	ISO MOUNT,SPL, UPPER,RBR	2	Oshkosh Defense
11	U4206A	ISO MOUNT,SPL, LOWER,RBR	2	Oshkosh Defense
12	U4208A	BAFFLE,FOAM	2	Oshkosh Defense

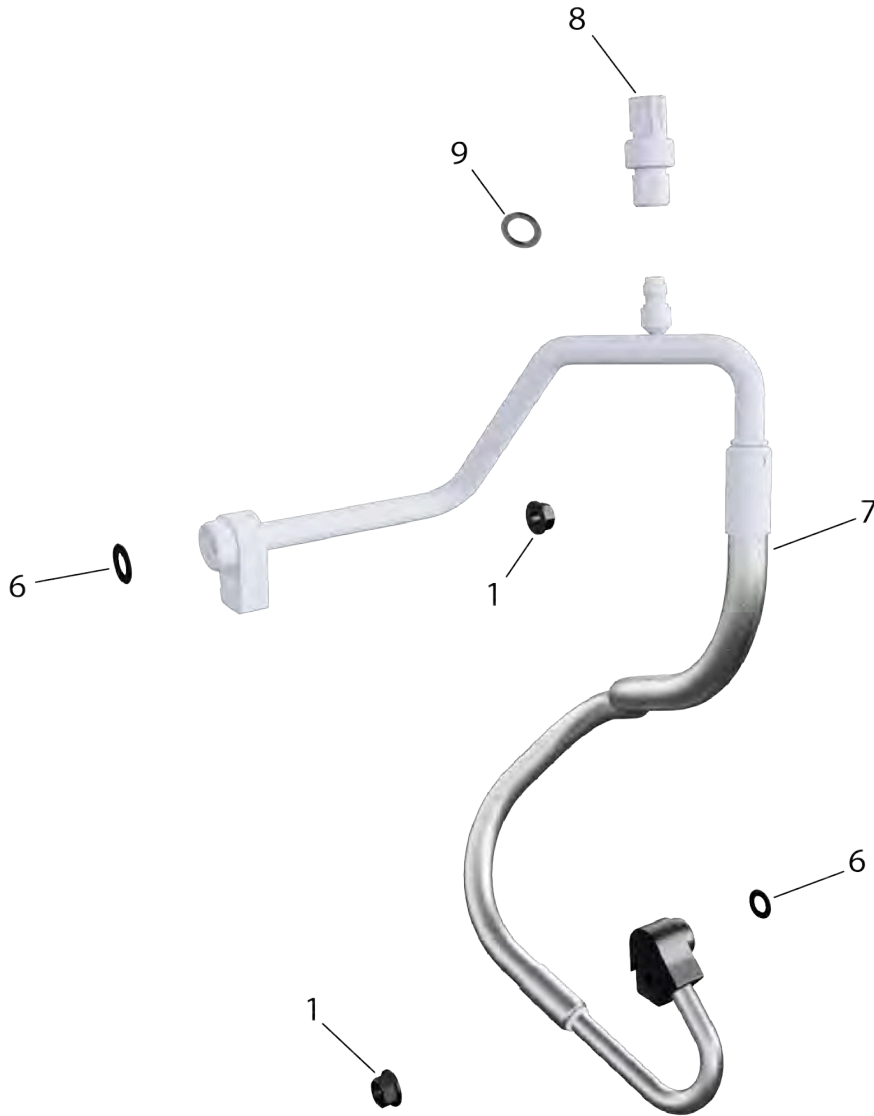


A/C COMPRESSOR/PLUMBING



A/C COMPRESSOR/PLUMBING

5-[6-9]



A/C COMPRESSOR/PLUMBING



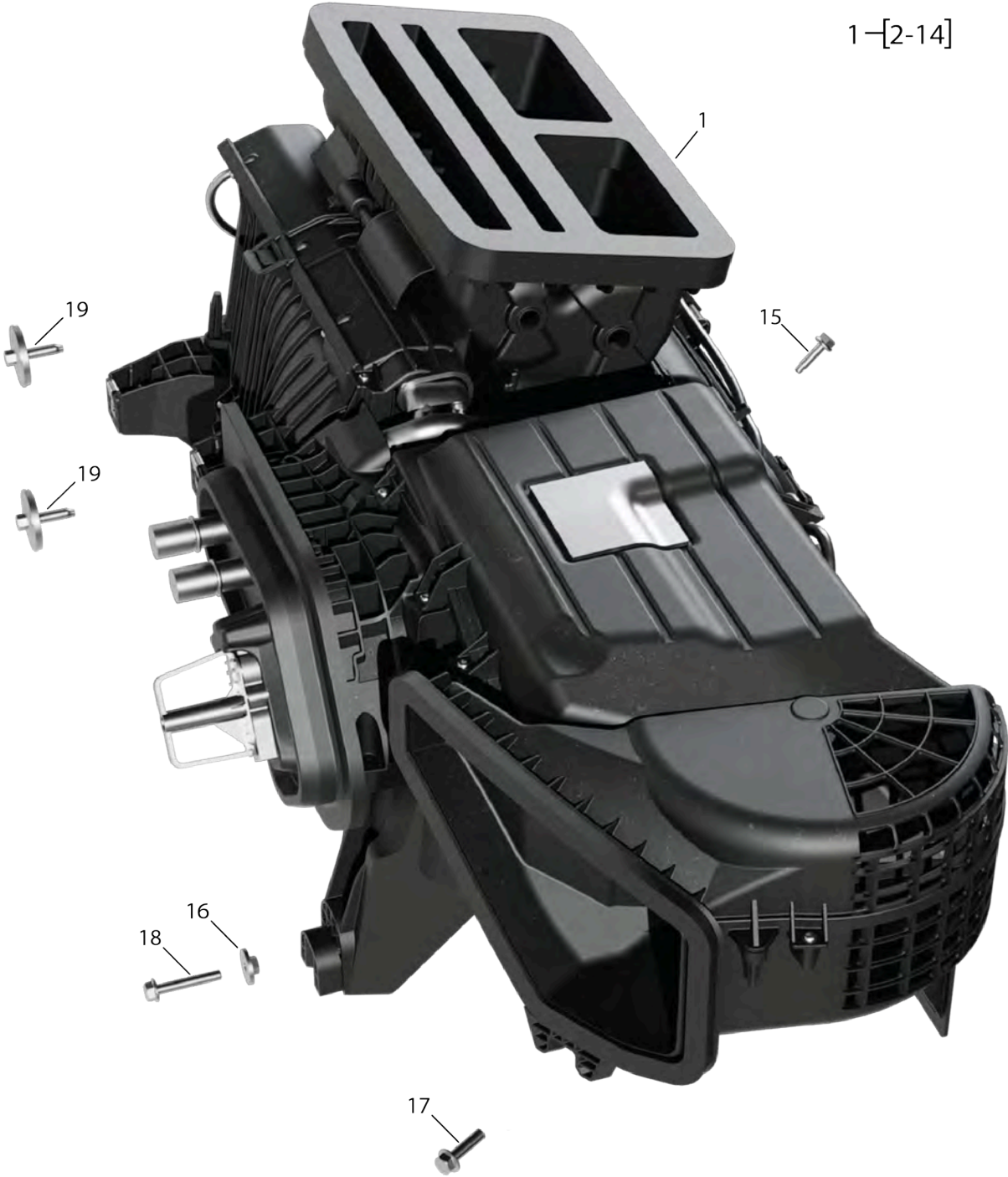
A/C COMPRESSOR/PLUMBING



Table 133. A/C COMPRESSOR/PLUMBING

Item Number	Part Number	Description	Quantity	Primary Source
1	U011NA	NUT,PLAIN,HEXAGON M8-1.25 C10 MB	5	Oshkosh Defense
2	U421SA	NUT,FLG M6-1.0 C10 MG	3	Oshkosh Defense
3	U011PA	TUBE ASSY,AIR COND IHX SPL AL,REFER TO VIN	1	Oshkosh Defense
3	U011PB	TUBE ASSY,AIR COND IHX SPL AL,REFER TO VIN	1	Oshkosh Defense
4	U011MA	TUBE ASSY,HVAC, R1234-YF	1	Oshkosh Defense
5	U011YA	TUBE ASSY,AIR COND HP SPL AL	1	Oshkosh Defense
6	U011DA	ORING .40X.039,VS	2	Oshkosh Defense
7	U011ZA	TUBE ASSY,AIR COND HP SPL AL	1	Oshkosh Defense
8	U011AA	SENSOR,PRESS,RFGT, 500PSIA	1	Oshkosh Defense
9	U011BA	ORING	1	Oshkosh Defense
10	U0120A	COMPR,HVAC,171CC, 4GRV,111,12V	1	Oshkosh Defense
11	U0121A	NUT,FLG M8-1.25 C8 MG	1	Oshkosh Defense
12	U0122A	SCR,FLG,HEX,DGP M8-1.25X102	1	Oshkosh Defense
13	U0123A	STUD,UEQL M8-1.25X128 C10.9 MG	1	Oshkosh Defense
14	U0124A	SCR,WASH,HEX,DGP M8-1.25X83	1	Oshkosh Defense
15	U0125A	SCR,WASH,HEX,TF MR6X12 C10.9 SPL	1	Oshkosh Defense
16	U011SA	TUBE ASSY,AIR COND LP SPL AL,REFER TO VIN	1	Oshkosh Defense
16	U011SB	TUBE ASSY,AIR COND LP SPL AL,REFER TO VIN	1	Oshkosh Defense
17	U1327A	SCR,FLG,HEX M6-1.0X14 C8.8 MG	1	Oshkosh Defense
18	U012UA	NUT,U M6-1.0 0.8-4.0 NS MB	1	Oshkosh Defense

HVAC ASSEMBLY HOUSING, ICE



HVAC ASSEMBLY HOUSING, ICE

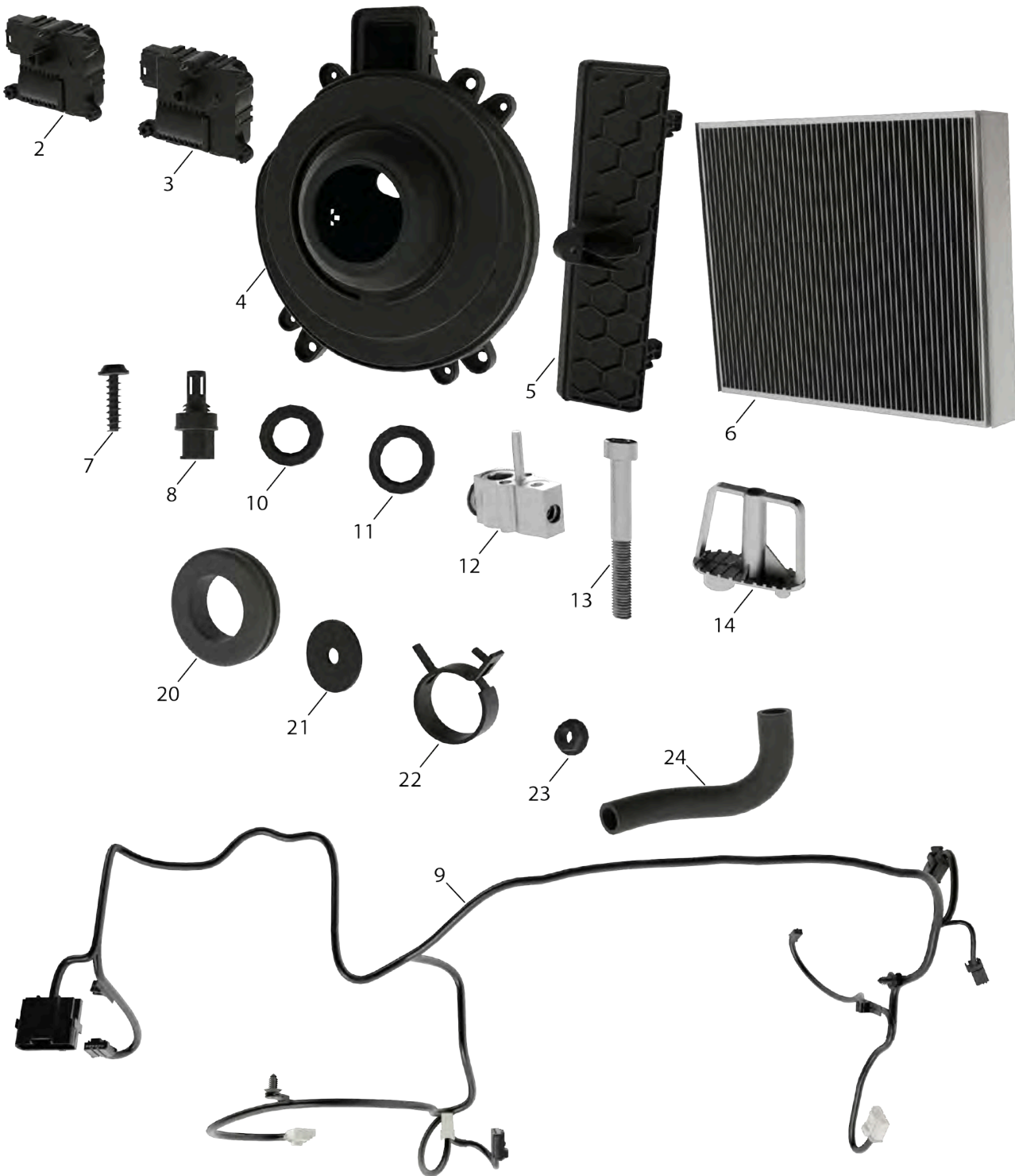


Table 134. HVAC ASSEMBLY HOUSING,ICE

Item Number	Part Number	Description	Quantity	Primary Source
1	U0105A	HVAC ASSY,S650, SINGLE ZONE	1	Oshkosh Defense
2	U0106A	ACTUATOR,MODE,HVAC ASSY	2	Oshkosh Defense
3	U0107A	ACTUATOR,RH TEMP, HVAC ASSY	1	Oshkosh Defense
4	U0108A	MOTOR,BLOWER,HVAC ASSY	1	Oshkosh Defense
5	U0109A	COVER,FILTER,CAB AIR,HVAC ASSY	1	Oshkosh Defense
6	U010AA	FILTER,CABIN AIR, HVAC ASSY	1	Oshkosh Defense
7	U010BA	SCR,SPL,TRX,TF M4-1.8X16 ZP	10	Oshkosh Defense
8	U010CA	SENSOR,TEMP,AIR, DISCHARGE	2	Oshkosh Defense
9	U010DA	WIRE HARN,HVAC ASSY	1	Oshkosh Defense
10	D011T179001	WASH,SPL 11.2X19.1X1.3 EPDM,NOT PROCURABLE, MUST PURCHASE U012TA	1	Oshkosh Defense
11	D011T179002	WASH,SPL 15.5X23.6X1.3 EPDM,NOT PROCURABLE, MUST PURCHASE U012TA	1	Oshkosh Defense
12	D011T179003	VALVE,THERMAL EXP, HVAC ASSY,NOT PROCURABLE, MUST PURCHASE U012TA	1	Oshkosh Defense
13	D011T179004	SCR,CAP,SOC M5-0.8X45 ZP,NOT PROCURABLE, MUST PURCHASE U012TA	2	Oshkosh Defense
14	D007G743001	CAP,VALVE,THERM EXP,HVAC ASSY,NOT PROCURABLE MUST PURCHASE U0105A	1	Oshkosh Defense
15	U0104A	SCR,FLG,HEX M6X25 C8.8 MG	1	Oshkosh Defense
16	U010FA	NUT,FLG M6 C8 ST	1	Oshkosh Defense
17	U0102A	SCR,FLG,HEX M6-1.0X25 C10.9 MG	1	Oshkosh Defense
18	U0103A	SCR,FLG,HEX M6-1.0X40 C10.9 MG	1	Oshkosh Defense
19	U010EA	SCR,WASH,HEX M6 M6-1.0X24 ST	2	Oshkosh Defense
20	U010GA	GROM,RND 1.00X1.37X.06 RBR	1	Oshkosh Defense
21	U010HA	WASHER,FLAT .25X1.25X.07 MB	2	Oshkosh Defense
22	U010JA	CLAMP,HOSE-SPR 26.8-23.5 MB	1	Oshkosh Defense
23	U421SA	NUT,FLG M6-1.0 C10 MG	1	Oshkosh Defense
24	U010KA	TUBE,HVAC,DRAIN	1	Oshkosh Defense

A/C CONDENSER

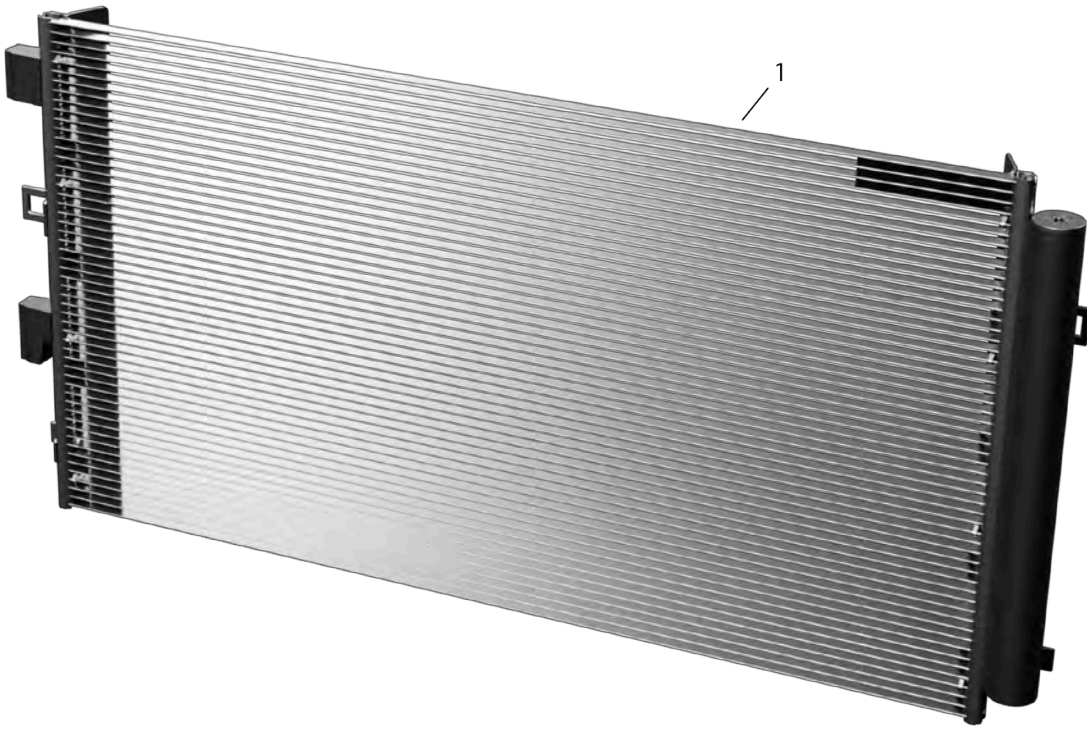


Table 135. AC CONDENSOR

Item Number	Part Number	Description	Quantity	Primary Source
1	U010NA	P758 CONDENSER	1	Oshkosh Defense

HEATER PLUMBING



Table 136. HEATER PLUMBING

Item Number	Part Number	Description	Quantity	Primary Source
1	U010MA	HOSE ASSY #16 PO 13.1	1	Oshkosh Defense
2	U010LA	HOSE ASSY #16 PO 11.7	1	Oshkosh Defense

MODULE, HVAC, ICE



Table 137. MODULE,HVAC,ICE

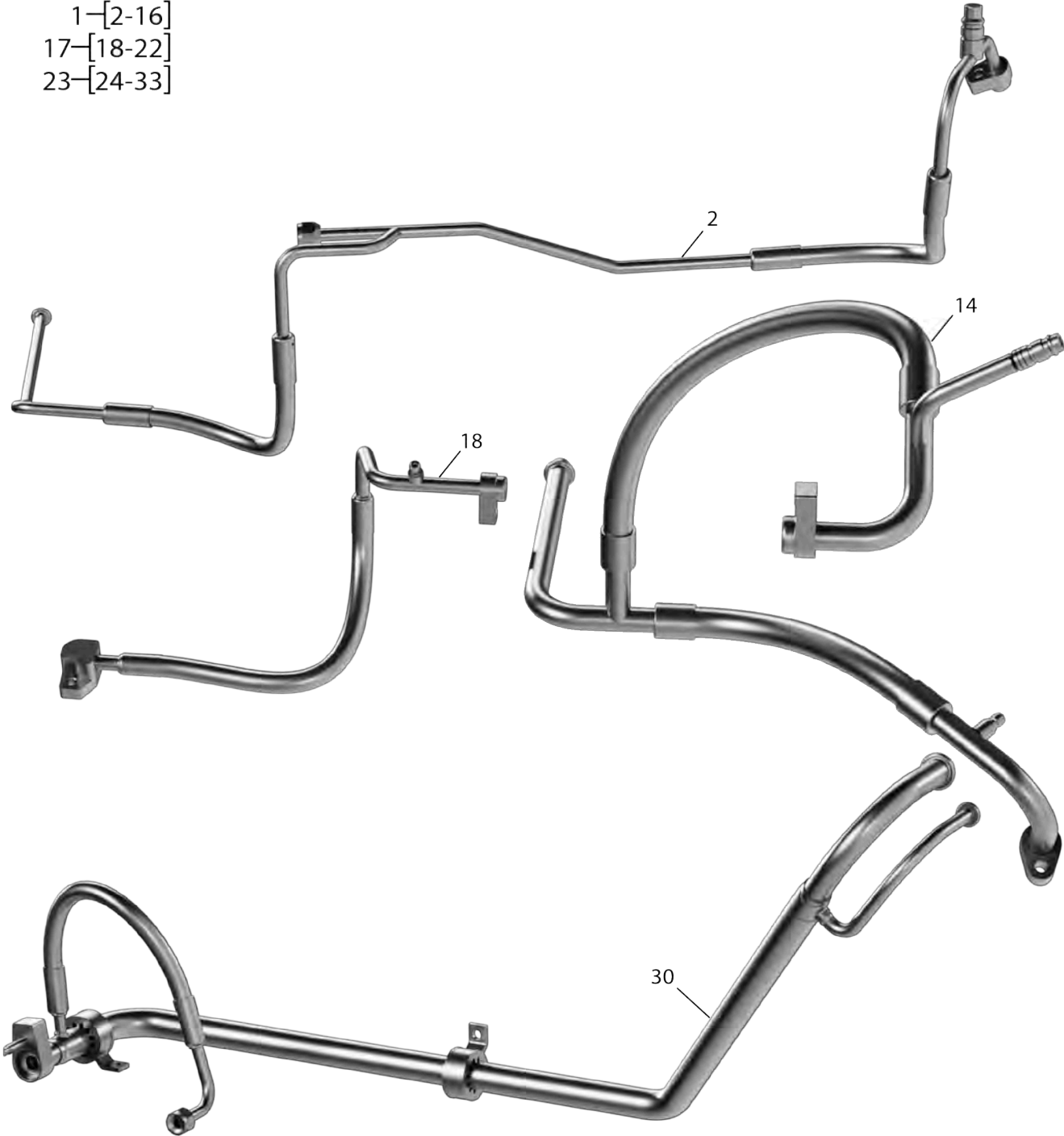
Item Number	Part Number	Description	Quantity	Primary Source
1	D014K713	MOD ASSY,ECU,HVAC, NIX	1	Oshkosh Defense
2	U3510A	MODULE,CTRL,HVAC	1	Oshkosh Defense

BEV — HEATING, VENTILATION, AIR CONDITIONING (HVAC)



AC,COMPRESSOR,BEV

1-[2-16]
17-[18-22]
23-[24-33]



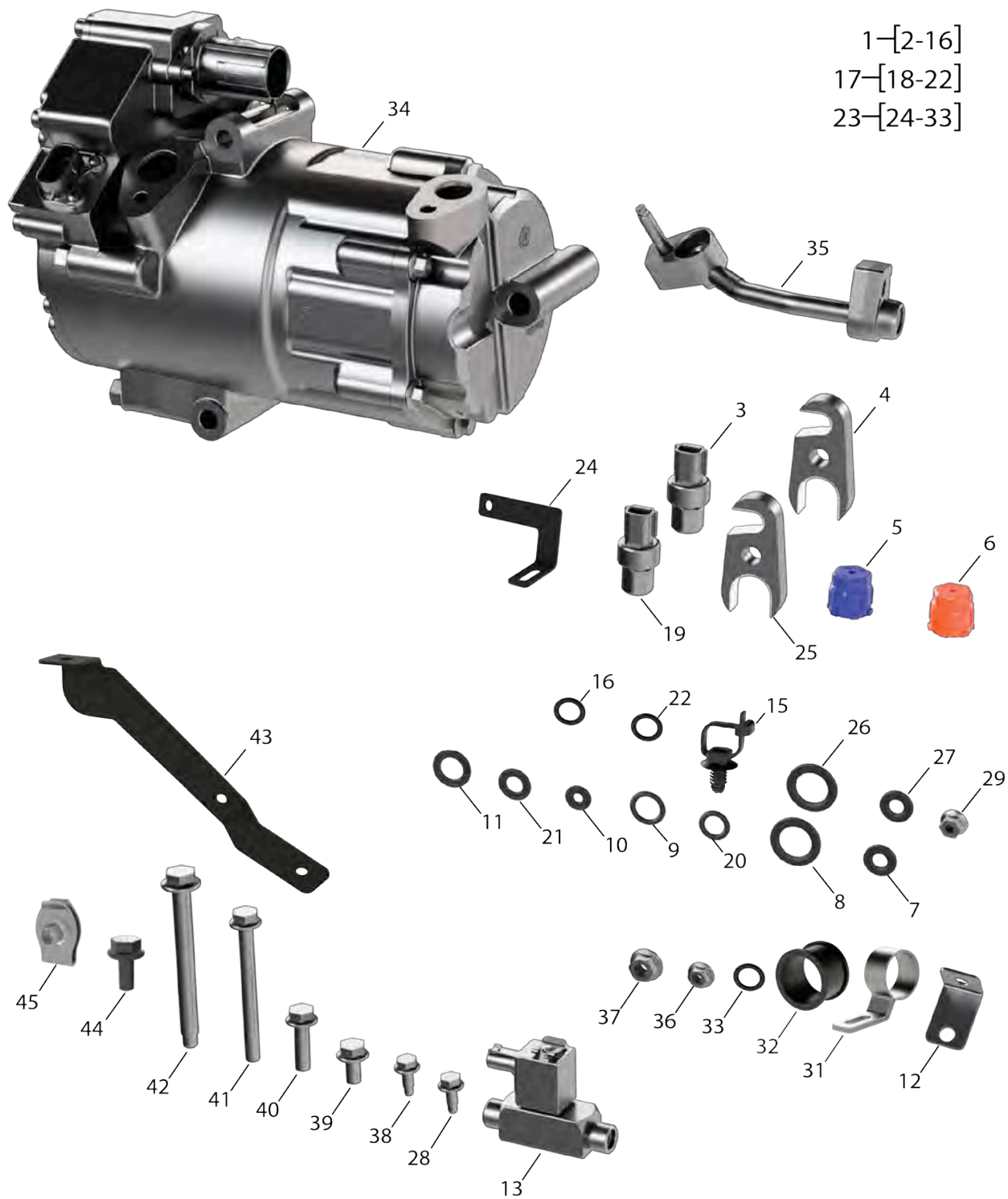
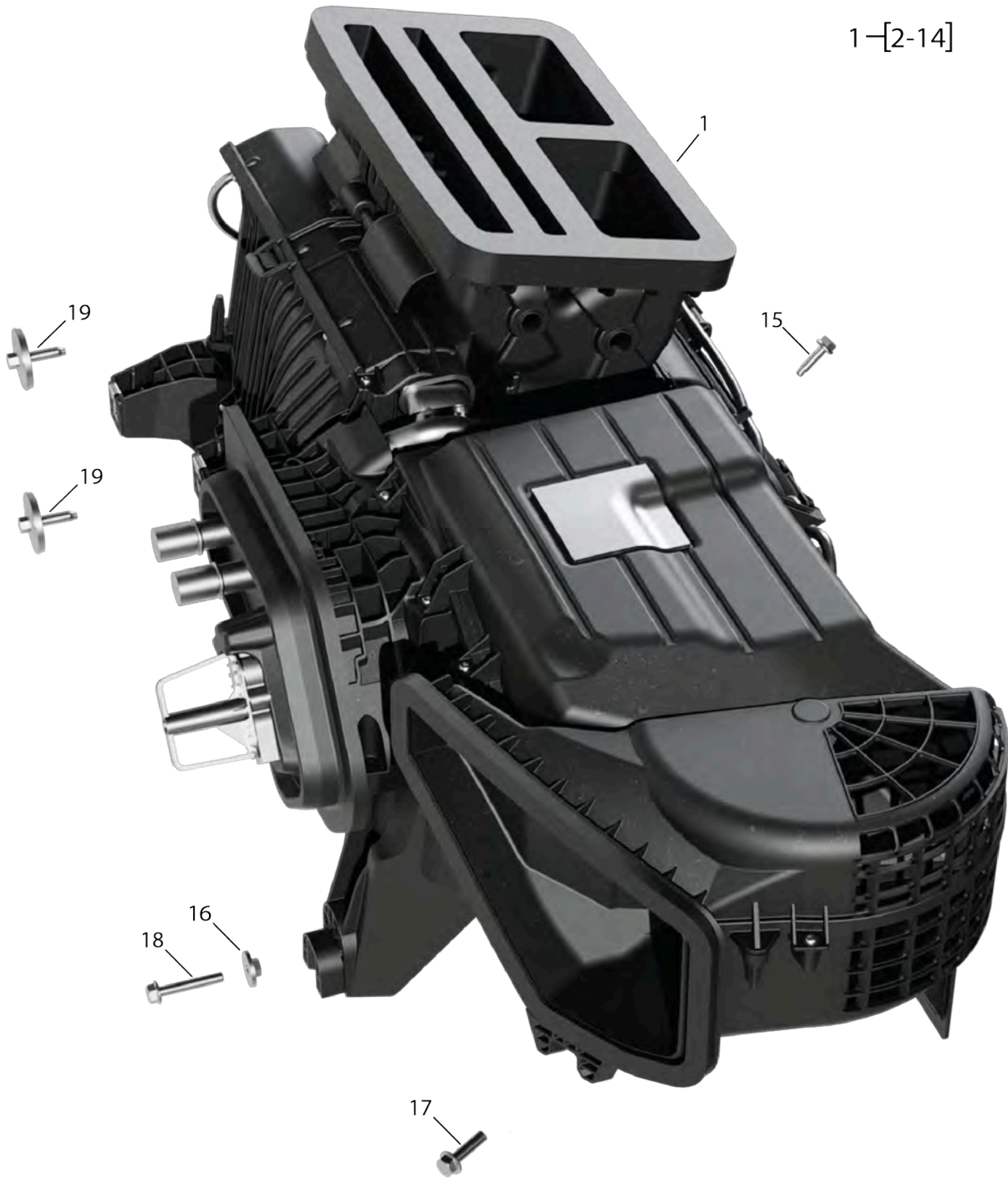


Table 138. AC,COMPRESSOR,BEV

Item Number	Part Number	Description	Quantity	Primary Source
1	U010XA	TUBE ASSY,AIR COND SPL AL	1	Oshkosh Defense
2	U0110A	TUBE ASSY,AIR COND SPL	1	Oshkosh Defense
3	U011AA	SENSOR,PRESS,RFGT, 500PSIA	1	Oshkosh Defense
4	U010ZA	CLAMP,SPL .77-.38 AL	1	Oshkosh Defense
5	U0119A	CAP,R1234YF, HIGH SIDE	1	Oshkosh Defense
6	U0118A	CAP,R1234YF, LOW SIDE	1	Oshkosh Defense
7	U0111A	ORING .32X.050,VS	1	Oshkosh Defense
8	U0112A	ORING .68X.050,VS	1	Oshkosh Defense
9	U0113A	ORING .54X.088,HNBR	1	Oshkosh Defense
10	U0114A	ORING .24X.039,VS	1	Oshkosh Defense
11	U0115A	ORING .53X.039,VS	1	Oshkosh Defense
12	U0116A	BRKT,SOLENOID MTG	1	Oshkosh Defense
13	U010YA	VALVE,SOL,R1234YF, 12V,NO	1	Oshkosh Defense
14	U0117A	HOSE ASSY,AC LOW SI SIDE	1	Oshkosh Defense
15	U2763A	MOUNTING BASE,TIE TIEDOWN,ELECTRICAL	4	Oshkosh Defense
16	U011BA	ORING	2	Oshkosh Defense
17	U011CA	TUBE ASSY,AIR COND HP SPL AL	1	Oshkosh Defense
18	U011EA	TUBE ASSY,AIR COND HP SPL AL	1	Oshkosh Defense
19	U011AA	SENSOR,PRESS,RFGT, 500PSIA	1	Oshkosh Defense
20	U011FA	ORING 10.8X2.4,HNBR	1	Oshkosh Defense
21	U011DA	ORING .40X.039,VS	1	Oshkosh Defense
22	U011BA	ORING	1	Oshkosh Defense
23	U011GA	TUBE ASSY,AIR COND IHX SPL AL	1	Oshkosh Defense
24	U011JA	BRKT,IHX SPRT	1	Oshkosh Defense
25	U010ZA	CLAMP,SPL .77-.38 AL	1	Oshkosh Defense
26	U0112A	ORING .68X.050,VS	1	Oshkosh Defense
27	U0111A	ORING .32X.050,VS	1	Oshkosh Defense
28	U130PA	SCR,FLG,HEX,DGP M6X16 C8.8 MG	1	Oshkosh Defense
29	U132EA	NUT,SELF-LOCKING, EXTENDED WASHER,HEXAGON, M6-1.0 C10 MB	1	Oshkosh Defense
30	U011HA	TUBE ASSY,AC,IHX AL	1	Oshkosh Defense
31	U011KA	BRKT,AC LINE MTG	2	Oshkosh Defense
32	U011LA	ISOLATOR,EPDM .79X1.22X1.22	2	Oshkosh Defense
33	U011BA	ORING	1	Oshkosh Defense
34	U010QA	COMPR,HVAC,34CC, 400V,12V	1	Oshkosh Defense
35	U011MA	TUBE ASSY,HVAC, R1234-YF	1	Oshkosh Defense
36	U421SA	NUT,FLG M6-1.0 C10 MG	4	Oshkosh Defense
37	U010VA	NUT,FLG M8-1.25 C10 MG	4	Oshkosh Defense
38	U130PA	SCR,FLG,HEX,DGP M6X16 C8.8 MG	1	Oshkosh Defense
39	U010SA	SCREW,CAP,HEXAGON HEAD,M8-1.25X16 C10.9 MB	1	Oshkosh Defense
40	U010TA	BOLT,MACHINE M8-1.25X30 C10.9 MB	2	Oshkosh Defense
41	U010UA	SCREW,CAP,HEXAGON HEAD,M8-1.25X85 C10.9 MB	2	Oshkosh Defense
42	U010WA	SCR,FLG,HEX,DGP M10X100C10.9MG	1	Oshkosh Defense
43	U010RA	BRKT, HOSE ASSY SUP SUPPORT	1	Oshkosh Defense
44	U1327A	SCR,FLG,HEX M6-1.0X14 C8.8 MG	1	Oshkosh Defense
45	U012UA	NUT,U M6-1.0 0.8-4.0 NS MB	1	Oshkosh Defense

HVAC ASSEMBLY HOUSING, BEV



HVAC ASSEMBLY HOUSING, BEV

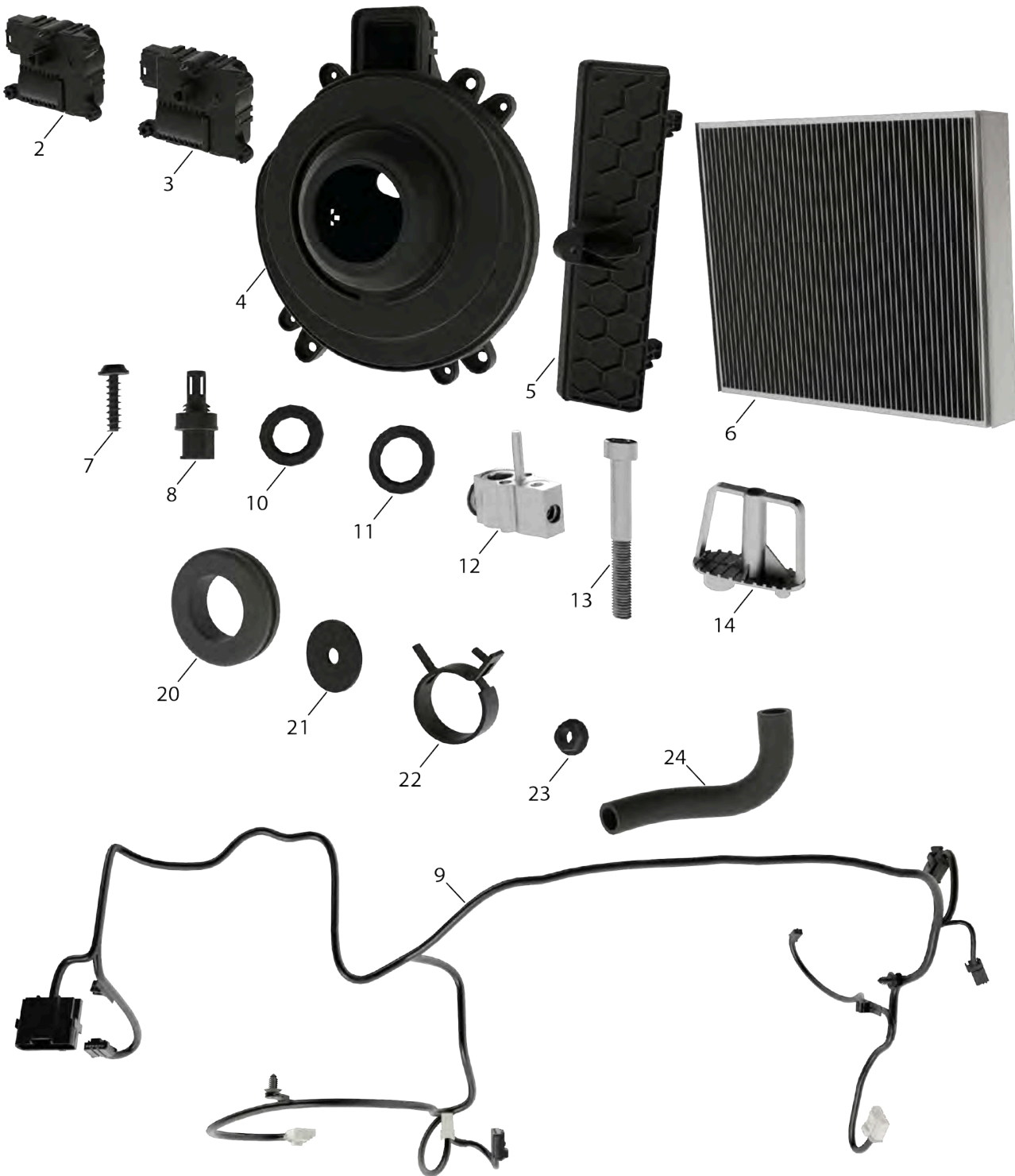


Table 139. HVAC ASSEMBLY HOUSING, BEV

Item Number	Part Number	Description	Quantity	Primary Source
1	U0105A	HVAC ASSY,S650, SINGLE ZONE	1	Oshkosh Defense
2	U0106A	ACTUATOR,MODE,HVAC ASSY	2	Oshkosh Defense
3	U0107A	ACTUATOR,RH TEMP, HVAC ASSY	1	Oshkosh Defense
4	U0108A	MOTOR,BLOWER,HVAC ASSY	1	Oshkosh Defense
5	U0109A	COVER,FILTER,CAB AIR,HVAC ASSY	1	Oshkosh Defense
6	U010AA	FILTER,CABIN AIR, HVAC ASSY	1	Oshkosh Defense
7	U010BA	SCR,SPL,TRX,TF M4-1.8X16 ZP	10	Oshkosh Defense
8	U010CA	SENSOR,TEMP,AIR, DISCHARGE	2	Oshkosh Defense
9	U010DA	WIRE HARN,HVAC ASSY	1	Oshkosh Defense
10	D011T179001	WASH,SPL 11.2X19.1X1.3 EPDM,NOT PROCURABLE, MUST PURCHASE D011T179	1	Oshkosh Defense
11	D011T179002	WASH,SPL 15.5X23.6X1.3 EPDM,NOT PROCURABLE, MUST PURCHASE D011T179	1	Oshkosh Defense
12	D011T179003	VALVE,THERMAL EXP, HVAC ASSY,NOT PROCURABLE, MUST PURCHASE D011T179	1	Oshkosh Defense
13	D011T179004	SCR,CAP,SOC M5-0.8X45 ZP,NOT PROCURABLE, MUST PURCHASE D011T179	2	Oshkosh Defense
14	D007G743001	CAP,VALVE,THERM EXP,HVAC ASSY,NOT PROCURABLE MUST PURCHASE D007G743	1	Oshkosh Defense
15	U0104A	SCR,FLG,HEX M6X25 C8.8 MG	1	Oshkosh Defense
16	U010FA	NUT,FLG M6 C8 ST	1	Oshkosh Defense
17	U0102A	SCR,FLG,HEX M6-1.0X25 C10.9 MG	1	Oshkosh Defense
18	U0103A	SCR,FLG,HEX M6-1.0X40 C10.9 MG	1	Oshkosh Defense
19	U010EA	SCR,WASH,HEX M6 M6-1.0X24 ST	2	Oshkosh Defense
20	U010GA	GROM,RND 1.00X1.37X.06 RBR	1	Oshkosh Defense
21	U010HA	WASHER,FLAT .25X1.25X.07 MB	2	Oshkosh Defense
22	U010JA	CLAMP,HOSE-SPR 26.8-23.5 MB	1	Oshkosh Defense
23	U421SA	NUT,FLG M6-1.0 C10 MG	1	Oshkosh Defense
24	U010KA	TUBE,HVAC,DRAIN	1	Oshkosh Defense

AC CONDENSER

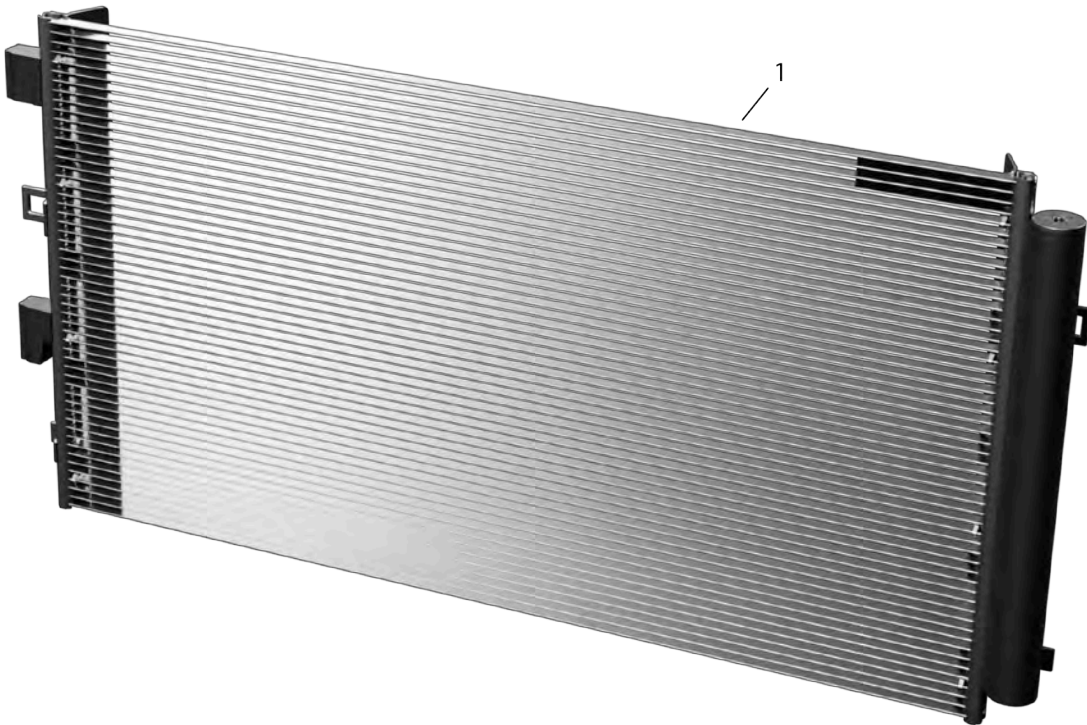


Table 140. AC CONDENSOR

Item Number	Part Number	Description	Quantity	Primary Source
1	U010PA	P758 CONDENSER	1	Oshkosh Defense

HV CAB HEATER CIRCUIT

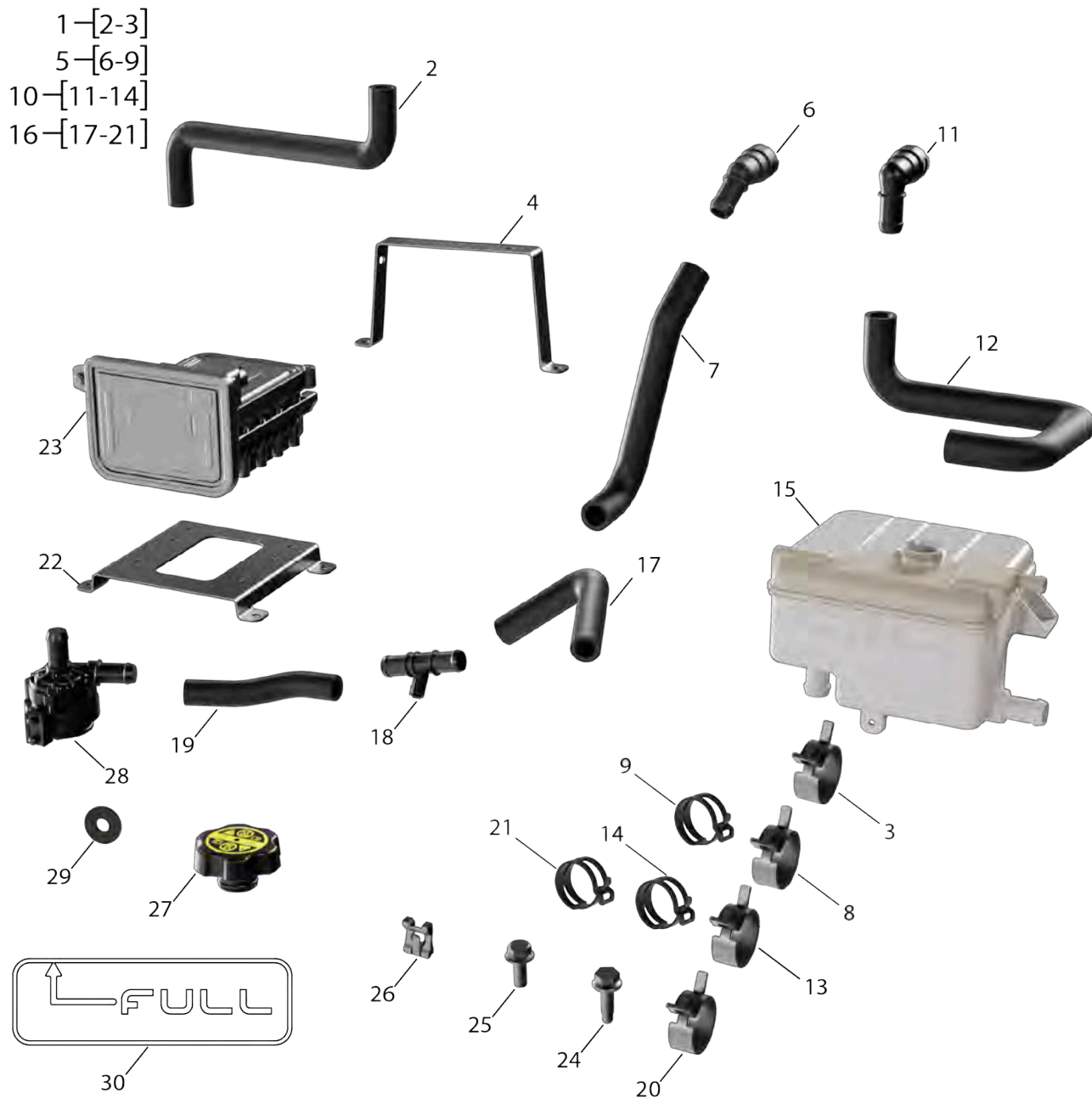


Table 141. HV CAB HEATER CIRCUIT

Item Number	Part Number	Description	Quantity	Primary Source
1	U0127A	HOSE ASSY,CLNT,HTR PMP,INPUT	1	Oshkosh Defense
2	U0128A	HOSE,COOLANT,FORMED 19MM ID	1	Oshkosh Defense
3	U420PA	CLAMP,HOSE-SPR 28.0-24.3 MB	2	Oshkosh Defense
4	U012MA	BRKT,STDF,TMS CABLE MT	1	Oshkosh Defense
5	U0129A	HOSE ASSY,CLNT,HTR, OUTPUT	1	Oshkosh Defense
6	U012AA	FTG,45 19BD-12QDC MF PL	1	Oshkosh Defense
7	U012BA	HOSE,COOLANT,FORMED 19MM ID	1	Oshkosh Defense
8	U420PA	CLAMP,HOSE-SPR 28.0-24.3 MB	1	Oshkosh Defense
9	U012CA	CLAMP,HOSE-SPR,TAB	1	Oshkosh Defense
10	U012DA	HOSE ASSY,CLNT,HTR, RTN	1	Oshkosh Defense
11	U012EA	FTG,90 19BD-12QDC MF PL	1	Oshkosh Defense
12	U012FA	HOSE,COOLANT,FORMED 19MM ID	1	Oshkosh Defense
13	U420PA	CLAMP,HOSE-SPR 28.0-24.3 MB	2	Oshkosh Defense
14	U012CA	CLAMP,HOSE-SPR,TAB	1	Oshkosh Defense
15	U012GA	TANK,SURGE,2L,5PSI, HTR BEV,PL	1	Oshkosh Defense
16	U012JA	HOSE ASSY,CLNT,HTR PMP,OUTPUT	1	Oshkosh Defense
17	U012KA	HOSE,COOLANT,FORMED 19MM ID	1	Oshkosh Defense
18	U421DA	SENSOR,COOLANT TEMP 12V INLINE	1	Oshkosh Defense
19	U012LA	HOSE,CLNT 19MM X 155MM RBR	1	Oshkosh Defense
20	U420PA	CLAMP,HOSE-SPR 28.0-24.3 MB	4	Oshkosh Defense
21	U012CA	CLAMP,HOSE-SPR,TAB	2	Oshkosh Defense
22	U012QA	BRKT,TMS HTR MT	1	Oshkosh Defense
23	U012PA	HEATER,CLNT,7.5KW, 350V,12V,LIN	1	Oshkosh Defense
24	U5200A	SCR,FLG,HEX,DGP M6X20 C8.8 MG	2	Oshkosh Defense
25	U012HA	SCR,FLG,HEX M6-1.0X16 C10.9 MG	4	Oshkosh Defense
26	U0126A	CLIP,BAYONET 8.0MM, ST	2	Oshkosh Defense
27	U422WA	CAP,SURGE TANK, 5PSI,PLASTIC	1	Oshkosh Defense
28	U012NA	PUMP,COOLANT,12V 20W	1	Oshkosh Defense
29	U4230A	WASHER,FLAT M6X18X1.6 MB	2	Oshkosh Defense
30	U02TBA	LABEL,INSTR,COOLANT FULL,VY	1	Oshkosh Defense

MODULE, HVAC, BEV



Table 142. MODULE,HVAC,BEV

Item Number	Part Number	Description	Quantity	Primary Source
1	D014K618	MOD ASSY,ECU,HVAC, NBX	1	Oshkosh Defense
2	U3510A	MODULE,CTRL,HVAC	1	Oshkosh Defense



ALTERNATOR ASSEMBLY

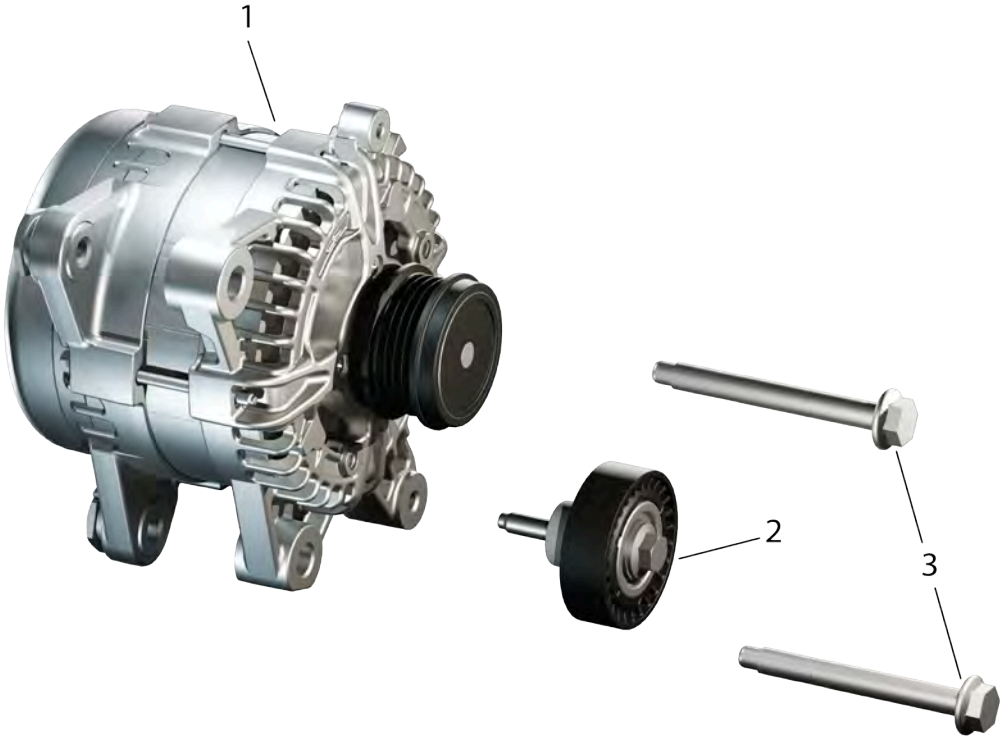


Table 143. ALTERNATOR ASSEMBLY

Item Number	Part Number	Description	Quantity	Primary Source
1	U3102A	ALTERNATOR	1	Oshkosh Defense
2	U3101A	PULLEY	1	Oshkosh Defense
3	U3100A	SCREW,CAP,HEXAGON HEAD,M10-1.5X90 C10.9 MG	2	Oshkosh Defense



POWER DISTRIBUTION,ICE



Table 144. POWER DISTRIBUTION, ICE

Item Number	Part Number	Description	Quantity	Primary Source
1	U522TA	FUSE BOX,COVER	1	Oshkosh Defense
2	U522VA	FUSE BOX,JMPR CABLE COVER	1	Oshkosh Defense
3	U522PA	BRKT,HARNESS,PDM, WLDMT	1	Oshkosh Defense
4	U5200A	SCR,FLG,HEX,DGP M6X20 C8.8 MG	6	Oshkosh Defense
5	U522RA	WASHER,LOCK M5X9.2X1.2 ZN	2	Oshkosh Defense
6	U522KA	WASH,LK,SPLIT M8X14.8X1.6 ZN	4	Oshkosh Defense
7	U5228A	NUT,PLAIN,HEXAGON M8-1.25 C10	4	Oshkosh Defense
8	U522SA	NUT,PLAIN,HEXAGON M5 C10 ZN	2	Oshkosh Defense
9	U5231A	GROMMET BLANK, NONMETALLIC .25X.70X.47 NY	2	Oshkosh Defense
10	U5232A	GROMMET,NONMETALLIC	1	Oshkosh Defense
11	U522XA	STUD,JUMPER POS	1	Oshkosh Defense
12	U522YA	WASH,LK,IN .37X.67X.34 ZP	1	Oshkosh Defense
13	U522ZA	CAP,STUD,RED	1	Oshkosh Defense
14	U5230A	NUT,HEX .37-16 BR	1	Oshkosh Defense
15	U522UA	FUSE BOX,LWR ENCL	1	Oshkosh Defense
16	U522WA	FUSE BOX,JUNCTION PANEL	1	Oshkosh Defense
17	U522QA	BRKT,PDM,WLDMT	1	Oshkosh Defense

POWER DISTRIBUTION, BEV

13-[14-16]

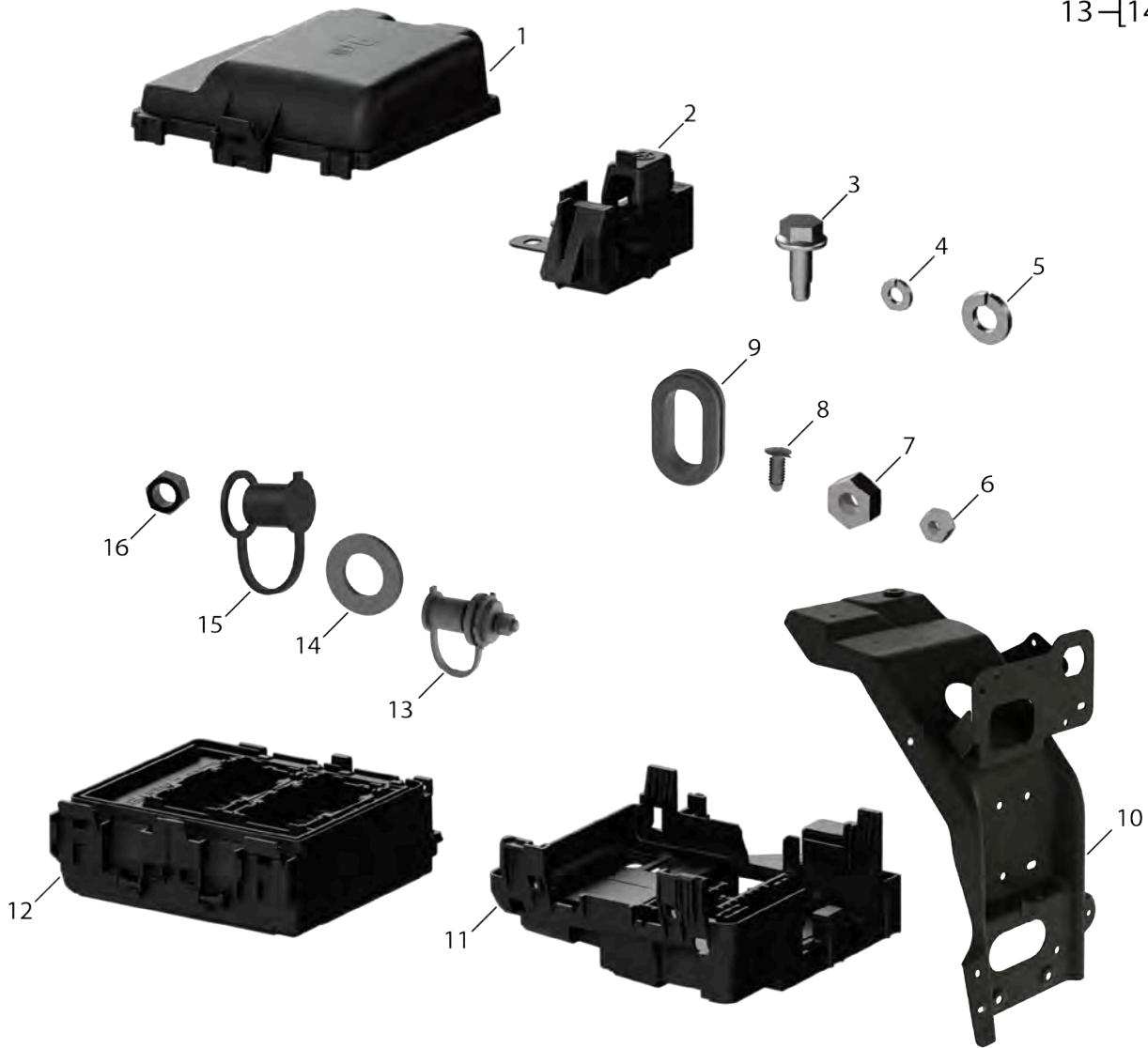


Table 145. POWER DISTRIBUTION, BEV

Item Number	Part Number	Description	Quantity	Primary Source
1	U522TA	FUSE BOX, COVER	1	Oshkosh Defense
2	U5239A	FUSE BOX, JUMPER CABLE COVER	1	Oshkosh Defense
3	U5200A	SCR, FLG, HEX, DGP M6X20 C8.8 MG	4	Oshkosh Defense
4	U522RA	WASHER, LOCK M5X9.2X1.2 ZN	2	Oshkosh Defense
5	U522KA	WASH, LK, SPLIT M8X14.8X1.6 ZN	4	Oshkosh Defense
6	U5228A	NUT, PLAIN, HEXAGON M8-1.25 C10	4	Oshkosh Defense
7	U522SA	NUT, PLAIN, HEXAGON M5 C10 ZN	2	Oshkosh Defense
8	U5231A	GROMMET BLANK, NONMETALLIC .25X.70X.47 NY	2	Oshkosh Defense
9	U5232A	GROMMET, NONMETALLIC	1	Oshkosh Defense
10	U522QA	BRKT, PDM, WLDMT	1	Oshkosh Defense
11	U522UA	FUSE BOX, LWR ENCL	1	Oshkosh Defense
12	U523AA	FUSE BOX, JUNCTION PANEL	1	Oshkosh Defense
13	U522XA	STUD, JUMPER POS	1	Oshkosh Defense
14	U522YA	WASH, LK, IN .37X.67X.34 ZP	1	Oshkosh Defense
15	U522ZA	CAP, STUD, RED	1	Oshkosh Defense
16	U5230A	NUT, HEX .37-16 BR	1	Oshkosh Defense

HIGH VOLTAGE, BEV, AWD

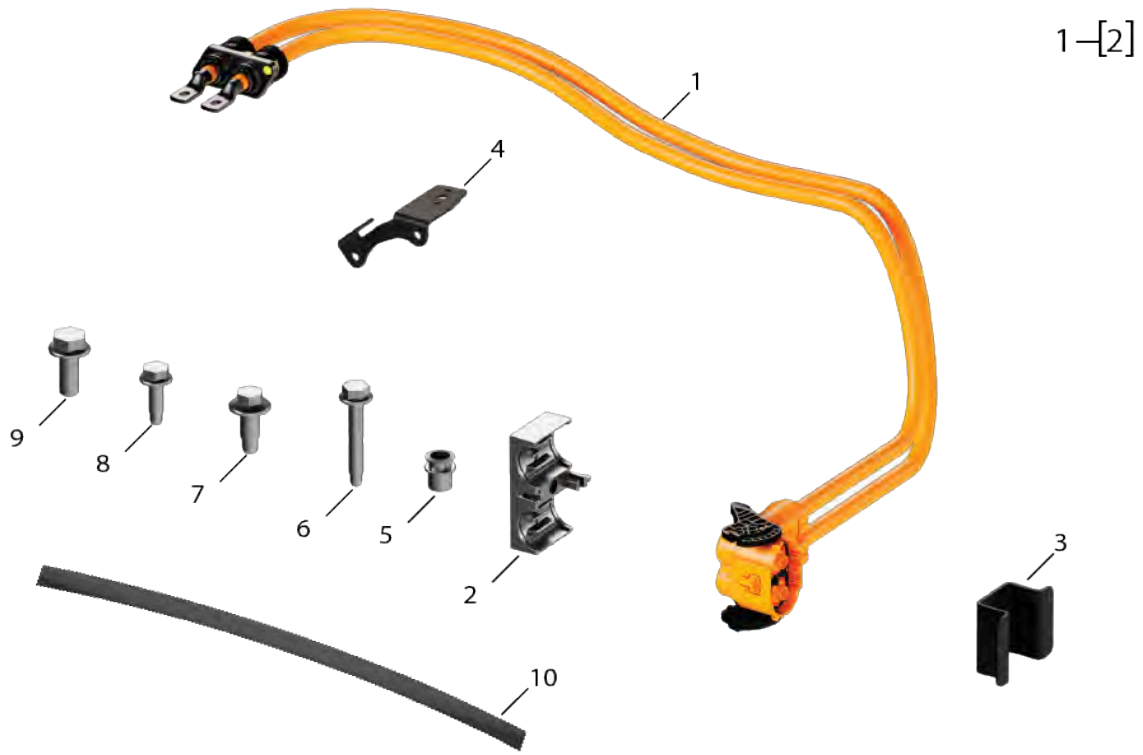


Table 146. HIGH VOLTAGE,BEV,AWD

Item Number	Part Number	Description	Quantity	Primary Source
1	U521JA	HV CABLE ASSY PDU T	1	Oshkosh Defense
2	U521KA	CLAMP,HV CABLE,DUAL	8	Oshkosh Defense
3	U521MA	BRKT,HV CABLE MT,BT	1	Oshkosh Defense
4	U521LA	BRKT,STDF,HV,RR EDU	1	Oshkosh Defense
5	U0231A	INSERT,SCREW THREAD M6-1.0X4.2	2	Oshkosh Defense
6	U027MA	SCR,FLG,HEX,DGP M6X	4	Oshkosh Defense
7	U1501A	SCR,FLG,HEX,DGP M8X20 C8.8 MG	2	Oshkosh Defense
8	U5200A	SCR,FLG,HEX,DGP M6X20 C8.8 MG	2	Oshkosh Defense
9	U521HA	SCR,FLG,HEX M8-1.25	2	Oshkosh Defense
10	U521NA	TAPE ADH,3M CV62F, 1 IN	2	Oshkosh Defense

HIGH VOLTAGE, BEV, COMMON

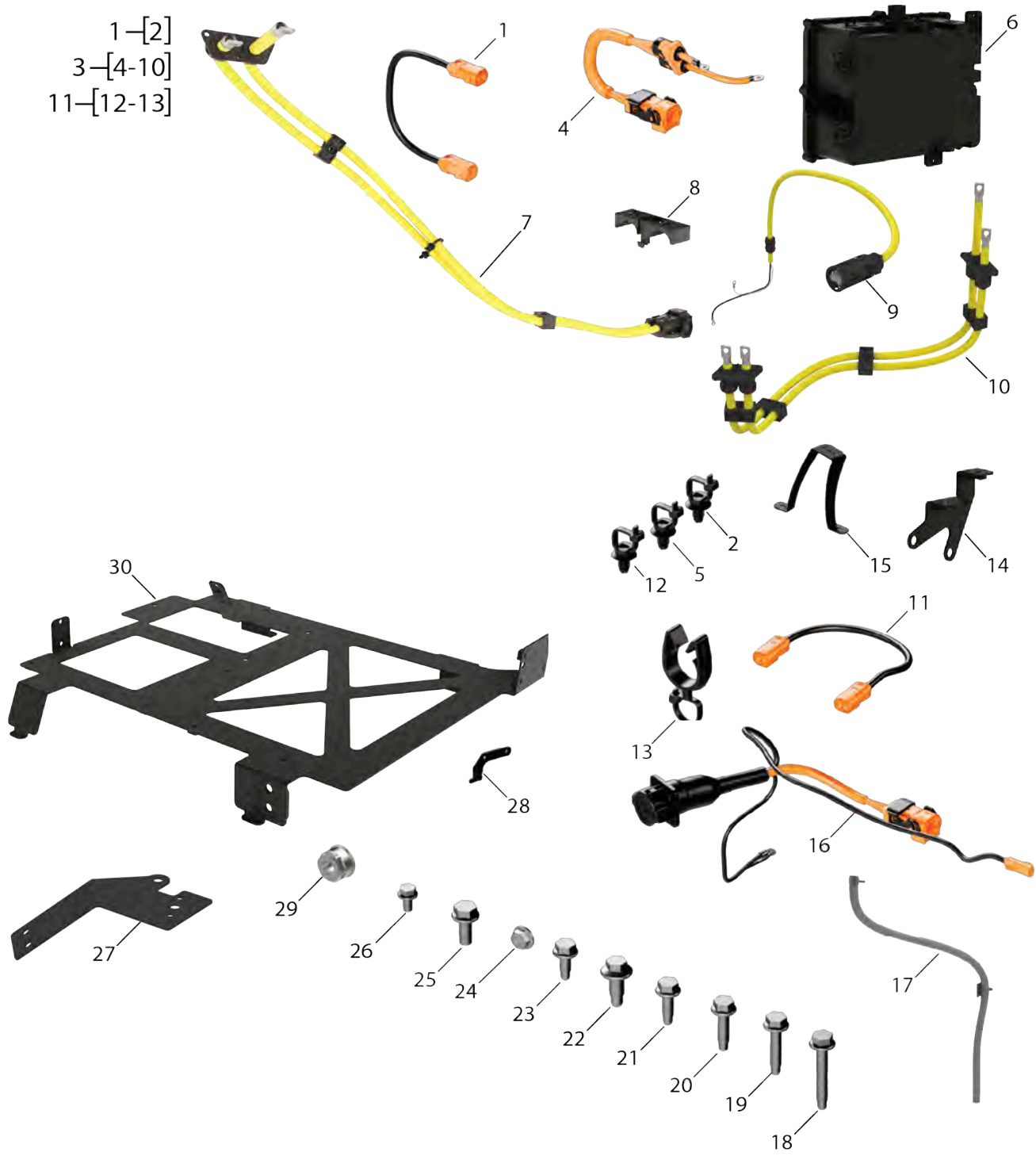


Table 147. HIGH VOLTAGE,BEV,COMMON

Item Number	Part Number	Description	Quantity	Primary Source
1	U521RA	HV CABLE ASSY PDU T	1	Oshkosh Defense
2	U2763A	MOUNTING BASE,TIE TIEDOWN,ELECTRICAL	1	Oshkosh Defense
3	U521SA	POWER DISTR,HV,ASSY	1	Oshkosh Defense
4	U521TA	HV CABLE ASSY PDU T	1	Oshkosh Defense
5	U2763A	MOUNTING BASE,TIE TIEDOWN,ELECTRICAL	1	Oshkosh Defense
6	U521UA	POWER DISTR,HV	1	Oshkosh Defense
7	U521VA	HV CABLE ASSY PDU TO BATTERY	1	Oshkosh Defense
8	U521KA	CLAMP,HV CABLE,DUAL	4	Oshkosh Defense
9	U521WA	HV CABLE ASSY PDU TO COMPRESS	1	Oshkosh Defense
10	U521XA	HV CABLE ASSY PDU TO EDU FRONT	1	Oshkosh Defense
11	U521PA	HV CABLE ASSY PDU T	1	Oshkosh Defense
12	U2763A	MOUNTING BASE,TIE TIEDOWN,ELECTRICAL	1	Oshkosh Defense
13	U422CA	MOUNT,WIRE TIE,LOC	1	Oshkosh Defense
14	U521ZA	BRKT,CABLE,PDU TO EDU,WLDMT	1	Oshkosh Defense
15	U521YA	BRKT,CABLE SUPPORT, WLDMT	1	Oshkosh Defense
16	U521QA	HV CABLE ASSY CHARGING	1	Oshkosh Defense
16	U521QB	HV CABLE ASSY CHARGING,REFER TO VIN	1	Oshkosh Defense
17	U310EA	HOSE,ASSY,DRN,CHRG REFER TO VIN	1	Oshkosh Defense
18	U027MA	SCR,FLG,HEX,DGP M6X	6	Oshkosh Defense
19	U421TA	SCR,FLG,HEX,DGP M6X30 C8.8 MG	4	Oshkosh Defense
20	U4202A	SCR,FLG,HEX,DGP M6X25 C8.8 MG	1	Oshkosh Defense
21	U5200A	SCR,FLG,HEX,DGP M6X20 C8.8 MG	13	Oshkosh Defense
22	U1501A	SCR,FLG,HEX,DGP M8X20 C8.8 MG	2	Oshkosh Defense
23	U130PA	SCR,FLG,HEX,DGP M6X16 C8.8 MG	6	Oshkosh Defense
24	U421SA	NUT,FLG M6-1.0 C10 MG	2	Oshkosh Defense
25	U521HA	SCR,FLG,HEX M8-1.25	2	Oshkosh Defense
26	U024RA	SCREW,MACHINE HEAD,M6-1.0X12 C10.9 MB	12	Oshkosh Defense
27	U5223A	BRKT,SPRT,HV CABLE, PDU TO BATT	1	Oshkosh Defense
28	U5220A	BRKT,CHARGE CABLE S	1	Oshkosh Defense
29	U5222A	STUD,GND M8-1.25X13 C8.8 ST	1	Oshkosh Defense
29	U523PA	CHARGER,BEV,BRUSA	1	Oshkosh Defense
30	U5221A	BRKT,HVPDU,WLDMT	1	Oshkosh Defense

EPD CABLES, BEV

5-[6]
8-[9-10]
20-[21-22]



Table 148. EPD CABLES, BEV

Item Number	Part Number	Description	Quantity	Primary Source
1	U523EA	CABLE ASSY 00GA 14.8 DC RDNT GND	1	Oshkosh Defense
2	U523GA	CABLE ASSY 2GA 13.2	1	Oshkosh Defense
3	U523HA	CABLE ASSY 00GA 14.0 ENG PDM	1	Oshkosh Defense
4	U523BA	CABLE ASSY 2GA 10.0	1	Oshkosh Defense
5	U5233A	CABLE ASSY 2GA 33.0 BTRY-CAB D	1	Oshkosh Defense
6	U2763A	MOUNTING BASE, TIE TIEDOWN, ELECTRICAL	2	Oshkosh Defense
7	U523CA	SCR, FLG, HEX M6-1.0X20 C10.9 ZN	3	Oshkosh Defense
8	U523FA	CABLE ASSY 2GA 20.0 PDU GND	1	Oshkosh Defense
9	U2763A	MOUNTING BASE, TIE TIEDOWN, ELECTRICAL	1	Oshkosh Defense
10	U011XA	CABLE TIE 200X4.6 O	1	Oshkosh Defense
11	U5227A	NUT, PLAIN, HEXAGON M6-1.0 C10 ZN	1	Oshkosh Defense
12	U5228A	NUT, PLAIN, HEXAGON M8-1.25 C10	1	Oshkosh Defense
13	U0250A	SCREW, CAP, SOCKET HEAD, M6-1.0X16 C10.9 MB	5	Oshkosh Defense
14	U5238A	LUG, STP TERM, POS	1	Oshkosh Defense
15	U523JA	SCR, CAP, HEX M8-1.25X16 C10.9 ZN	3	Oshkosh Defense
16	U350AA	SENSOR, BATTERY MANAGEMENT, ELEC	1	Oshkosh Defense
17	U5234A	CABLE ASSY 4GA 12.8 BTRY GND	1	Oshkosh Defense
18	U523DA	CABLE HARN, EDU OBC	1	Oshkosh Defense
19	U022WA	WASHER, FLAT M6X18X1.6	1	Oshkosh Defense
20	U523KA	WIRE ASSY 10GA 17.0 CMPSR GND	1	Oshkosh Defense
21	U523LA	CLIP, LOCKING-OMEGA 10-14MM NY	1	Oshkosh Defense
22	U523MA	TERM, PAN, RING .31 12-10	2	Oshkosh Defense
23	U522NA	WASHER, FLAT M8X16X1.6 ZN	1	Oshkosh Defense

EPD CABLES,NGDV

4-[5]

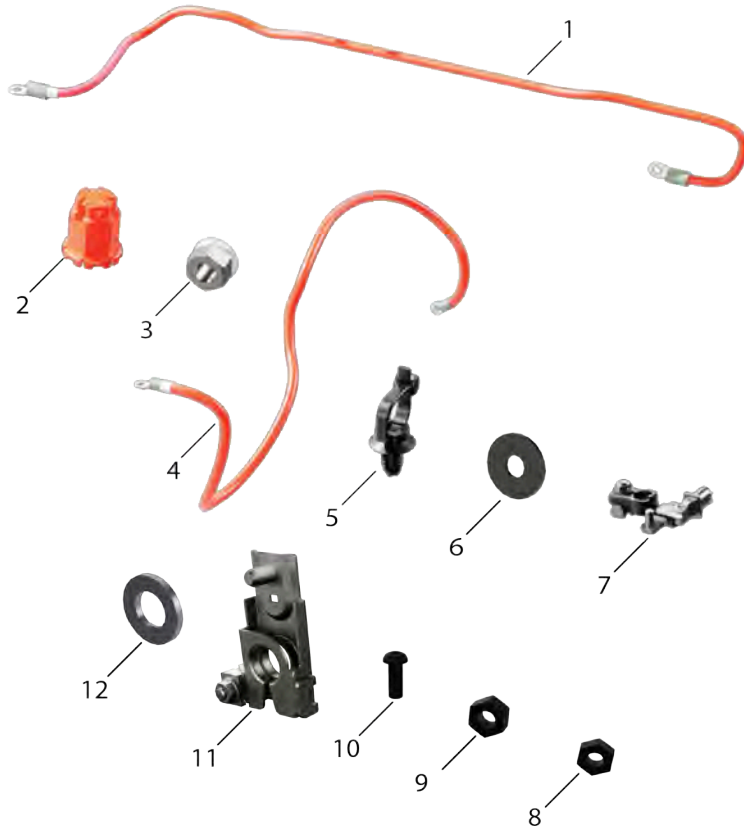


Table 149. EPD CABLES,NGDV

Item Number	Part Number	Description	Quantity	Primary Source
1	U5234A	CABLE ASSY 4GA 12.8 BTRY GND	1	Oshkosh Defense
2	U5236A	COVER,ALT PWR STUD	1	Oshkosh Defense
3	U5237A	NUT,HEX,WSH M8-1.25	1	Oshkosh Defense
4	U5233A	CABLE ASSY 2GA 33.0 BTRY-CAB D	1	Oshkosh Defense
5	U2763A	MOUNTING BASE,TIE TIEDOWN,ELECTRICAL	2	Oshkosh Defense
6	U022WA	WASHER,FLAT M6X18X1.6	1	Oshkosh Defense
7	U350AA	SENSOR,BATTERY MANAGEMENT,ELEC	1	Oshkosh Defense
8	U5227A	NUT,PLAIN,HEXAGON M6-1.0 C10 ZN	1	Oshkosh Defense
9	U5228A	NUT,PLAIN,HEXAGON M8-1.25 C10	1	Oshkosh Defense
10	U0250A	SCREW,CAP,SOCKET HEAD,M6-1.0X16 C10.9 MB	5	Oshkosh Defense
11	U5238A	LUG,STP TERM,POS	1	Oshkosh Defense
12	U522NA	WASHER,FLAT M8X16X1.6 ZN	1	Oshkosh Defense

CHARGE PORT,REAR,AWD,BEV

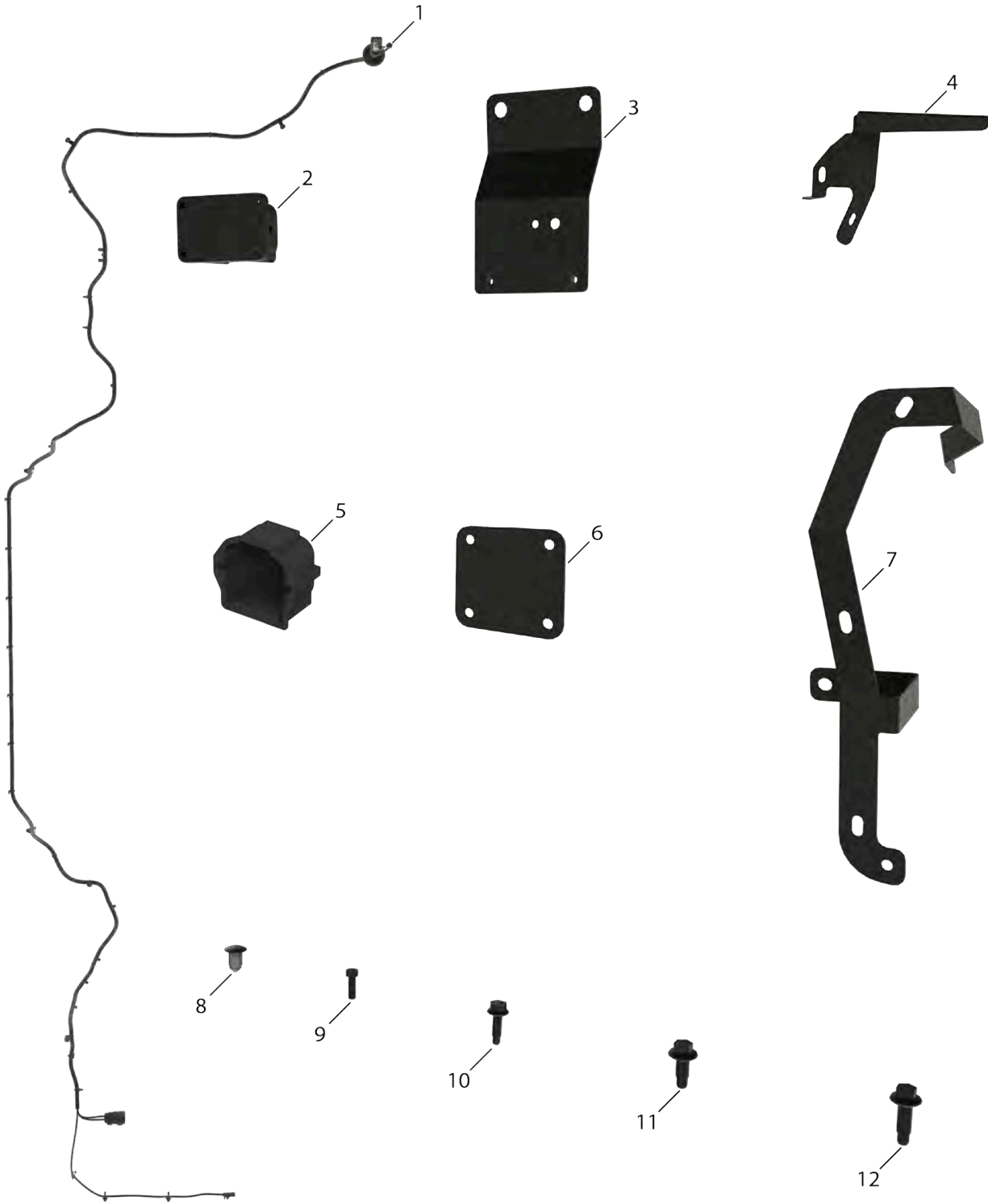


Table 150. CHARGE PORT,REAR,AWD,BEV

Item Number	Part Number	Description	Quantity	Primary Source
1	U310BA	CABLE ASSY HV CHARGING,AWD,REFER TO AWD	1	Oshkosh Defense
1	U310BB	CABLE,ASSY,HV, CHARGING,AWD,REFER TO VIN	1	Oshkosh Defense
2	U3105A	HEADER, 2 POS	1	Oshkosh Defense
3	U3106A	BRKT,CHARGE PORT, RR,WLDMT	1	Oshkosh Defense
4	U310CA	BRKT,WIRE CHASE,RR, RH	1	Oshkosh Defense
5	U3107A	CAP,HVA1200,RBR	1	Oshkosh Defense
6	U3108A	PLATE,CHARGE PORT, RR,REFER TO VIN	1	Oshkosh Defense
6	U3108B	PLATE,CHARGE PORT, REAR,REFER TO VIN	1	Oshkosh Defense
7	U310AA	BRKT,WIRE CHASE, FRAME,RH	1	Oshkosh Defense
8	U02TDA	PUSHPIN,BRB 8.7X16.0X13.0 NY	2	Oshkosh Defense
9	U3103A	SCREW,CAP,HEXAGON HEAD,M5-0.8X16 ZN-AL	4	Oshkosh Defense
10	U5200A	SCR,FLG,HEX,DGP M6X20 C8.8 MG	6	Oshkosh Defense
11	U1501A	SCR,FLG,HEX,DGP M8X20 C8.8 MG	1	Oshkosh Defense
12	U1300A	SCR,FLG,HEX,DGP M8X25 C8.8 MG	2	Oshkosh Defense

CHARGE PORT, REAR, FWD, BEV

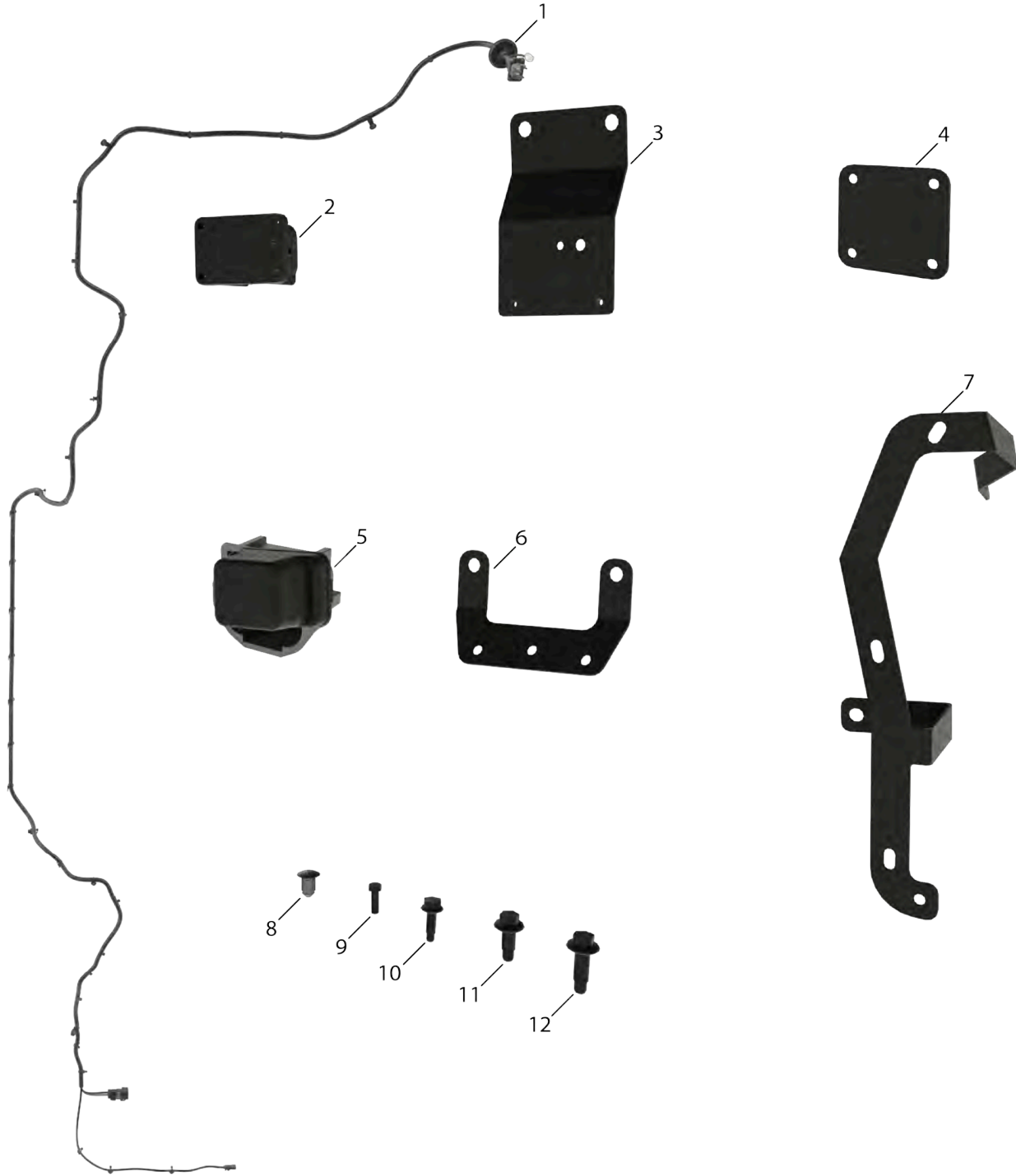
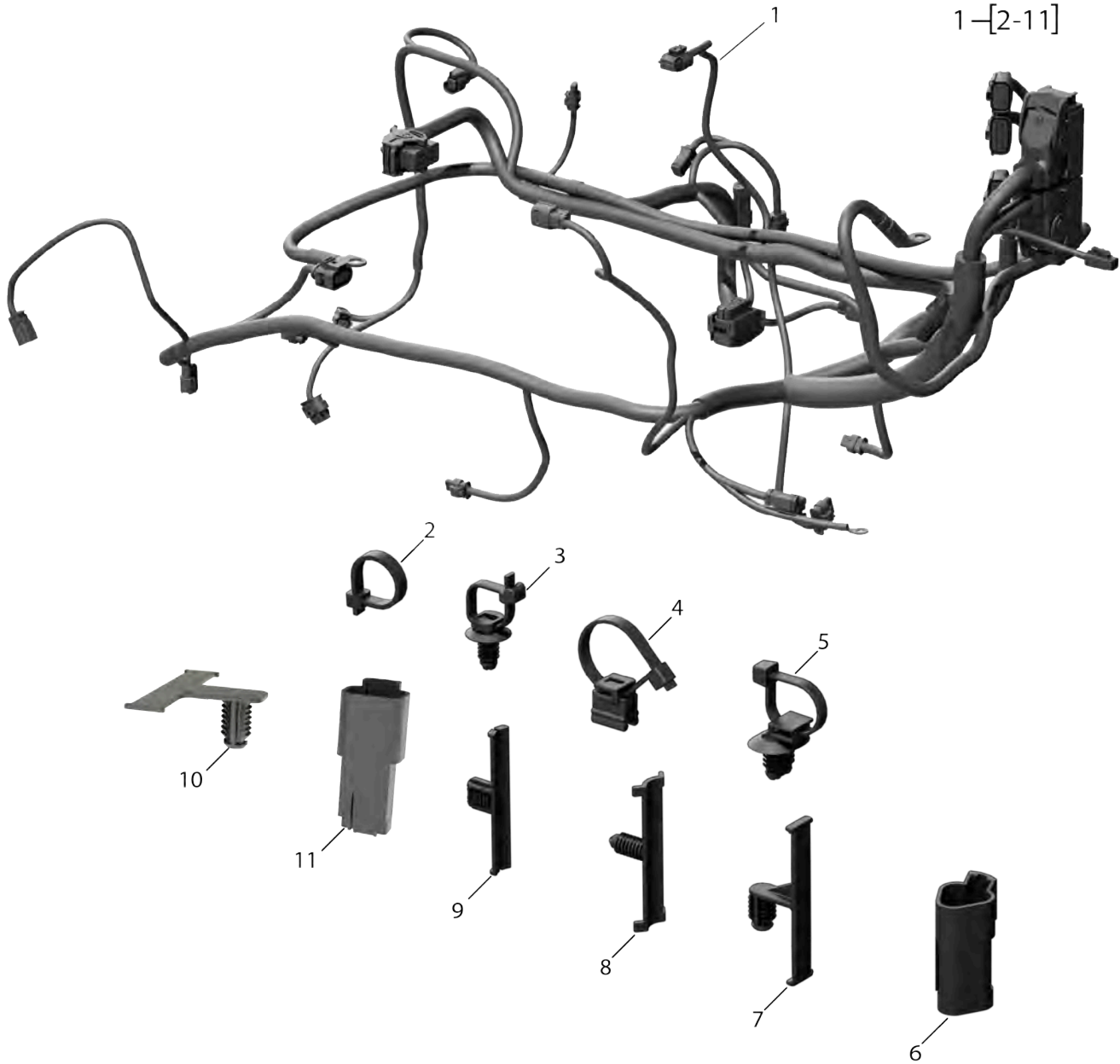


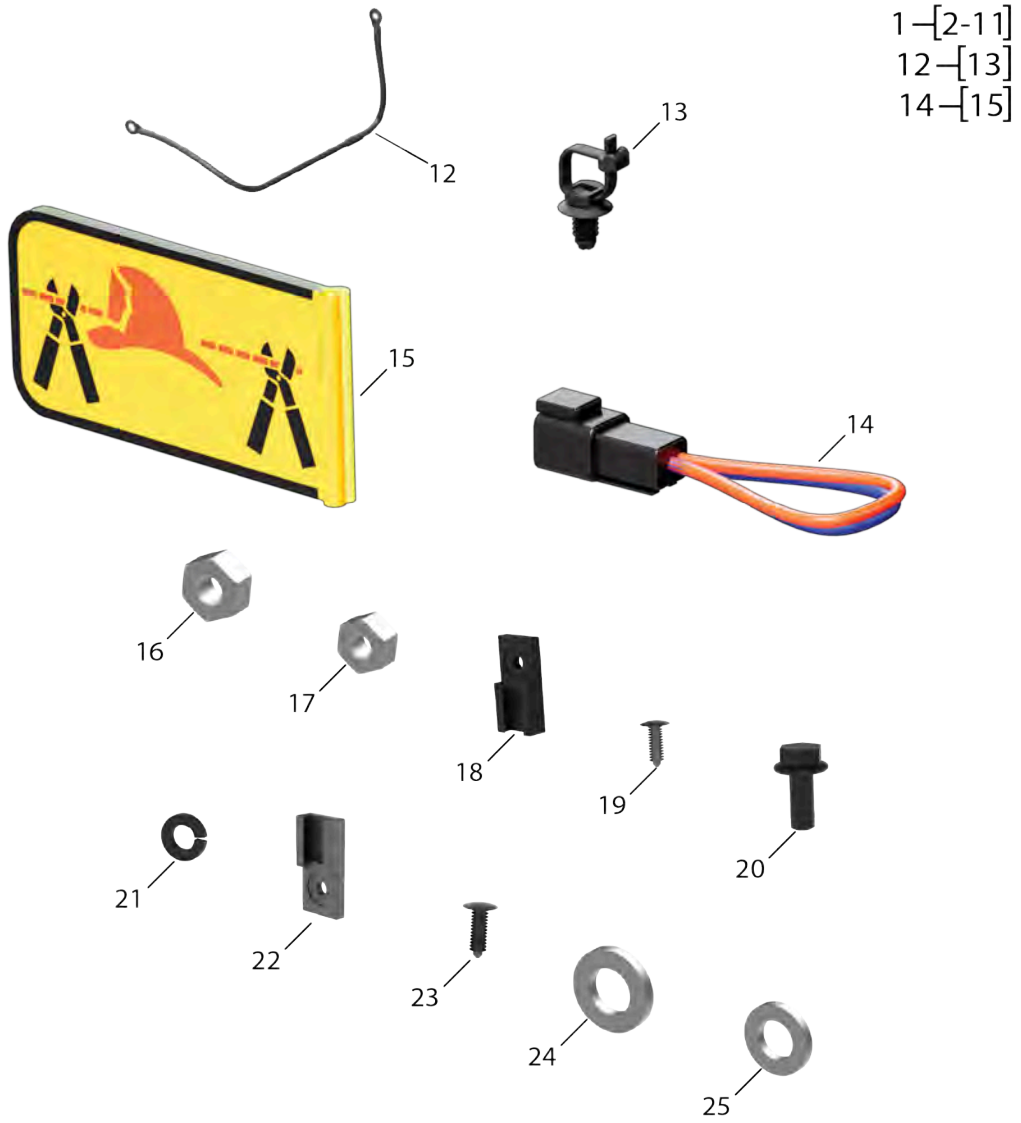
Table 151. CHARGE PORT,REAR,FWD,BEV

Item Number	Part Number	Description	Quantity	Primary Source
1	U3104A	CABLE,ASSY,HV, CHARGING,REFER TO VIN	1	Oshkosh Defense
1	U3104B	CABLE,ASSY,HV, CHARGING,FWD,REFER TO VIN	1	Oshkosh Defense
2	U3105A	HEADER, 2 POS	1	Oshkosh Defense
3	U3106A	BRKT,CHARGE PORT, RR,WLDMT	1	Oshkosh Defense
4	U3108A	PLATE,CHARGE PORT, RR,REFER TO VIN	1	Oshkosh Defense
4	U3108B	PLATE,CHARGE PORT, REAR,REFER TO VIN	1	Oshkosh Defense
5	U3107A	CAP,HVA1200,RBR	1	Oshkosh Defense
6	U3109A	BRKT,WIRE CHASE,RR, RH	1	Oshkosh Defense
7	U310AA	BRKT,WIRE CHASE, FRAME,RH	1	Oshkosh Defense
8	U02TDA	PUSHPIN,BRB 8.7X16.0X13.0 NY	2	Oshkosh Defense
9	U3103A	SCREW,CAP,HEXAGON HEAD,M5-0.8X16 ZN-AL	4	Oshkosh Defense
10	U5200A	SCR,FLG,HEX,DGP M6X20 C8.8 MG	6	Oshkosh Defense
11	U1501A	SCR,FLG,HEX,DGP M8X20 C8.8 MG	2	Oshkosh Defense
12	U1300A	SCR,FLG,HEX,DGP M8X25 C8.8 MG	2	Oshkosh Defense

WIRING, POWERTRAIN



WIRING, POWERTRAIN



POWER DISTRIBUTION

Table 152. WIRING,POWERTRAIN

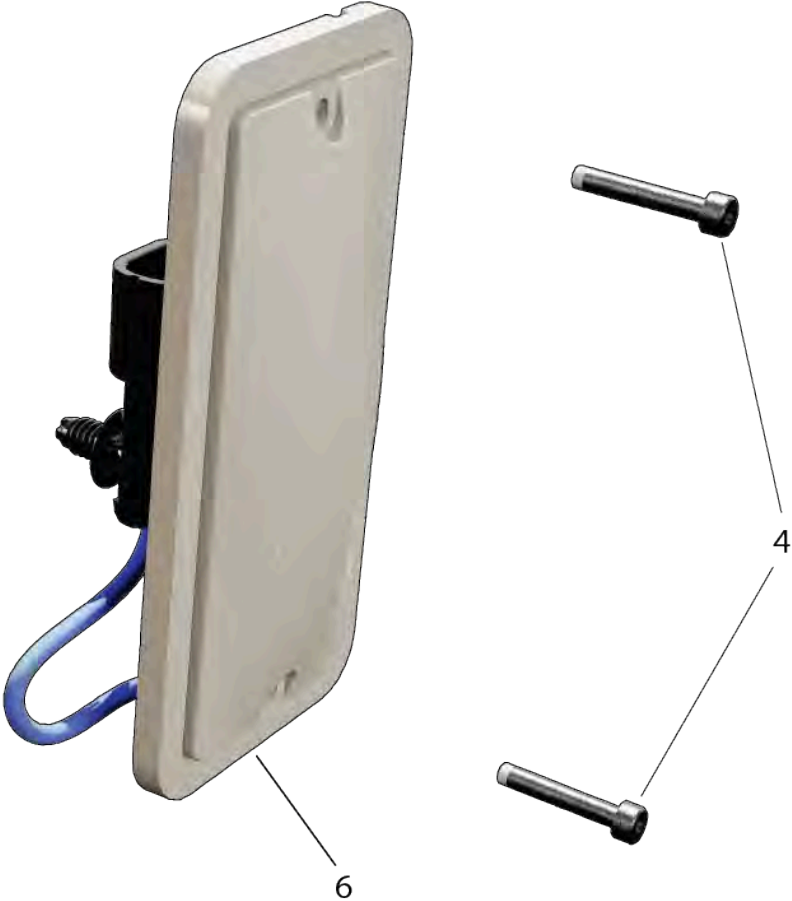
Item Number	Part Number	Description	Quantity	Primary Source
1	U5229A	WIRE HARN,EDU,MAIN BASED ON VIN NUMBER	1	Oshkosh Defense
1	U5229B	WIRE,HAR,EDU,MAIN BASED ON VIN NUMBER	1	Oshkosh Defense
2	U420NA	TIE,CABLE ELECTRICAL COMPONENTS,11.41X.184	5	Oshkosh Defense
3	U2763A	MOUNTING BASE,TIE TIEDOWN,ELECTRICAL	2	Oshkosh Defense
4	U132AA	STRAP,TIEDOWN, ELECTRICAL COMPONENTS	3	Oshkosh Defense
5	U522DA	CABLE TIE 200X4.6 FT NY	5	Oshkosh Defense
6	U522EA	CONNECTOR, RECEPTACLE,ELECTRICAL	2	Oshkosh Defense
7	U522CA	MOUNT,FIR TREE, TAPE-ON	2	Oshkosh Defense
8	U522BA	MOUNT,FIR TREE, TAPE-ON	2	Oshkosh Defense
9	U522AA	MOUNT,FIR TREE, TAPE-ON	7	Oshkosh Defense
10	U522FA	MOUNT,FIR TREE,TAPE	1	Oshkosh Defense
11	U522GA	RESISTOR,2.4K OHM, 0.5W	3	Oshkosh Defense
12	U5224A	WIRE ASSY 10GA 16.5	1	Oshkosh Defense
13	U2763A	MOUNTING BASE,TIE TIEDOWN,ELECTRICAL	2	Oshkosh Defense
14	U5225A	WIRE HARN,BEV,CUT LOOP	1	Oshkosh Defense
15	U5226A	LABEL,CUT,HV ELECT	1	Oshkosh Defense
16	U5228A	NUT,PLAIN,HEXAGON M8-1.25 C10	1	Oshkosh Defense
17	U5227A	NUT,PLAIN,HEXAGON M6-1.0 C10 ZN	1	Oshkosh Defense
18	U522HA	CLIP,RETAINING	1	Oshkosh Defense
19	U522JA	PUSHPIN,BRB .19X.40X.62	1	Oshkosh Defense
20	U522LA	SCR,FLG,HEX M8-1.25X20 C10.9 ZN	1	Oshkosh Defense
21	U522KA	WASH,LK,SPLIT M8X14.8X1.6 ZN	1	Oshkosh Defense
22	U522HA	CLIP,RETAINING	1	Oshkosh Defense
23	U522JA	PUSHPIN,BRB .19X.40X.62	1	Oshkosh Defense
24	U522MA	WASH,FLT M6X12X1.6 ZN	1	Oshkosh Defense
25	U522NA	WASHER,FLAT M8X16X1.6 ZN	1	Oshkosh Defense



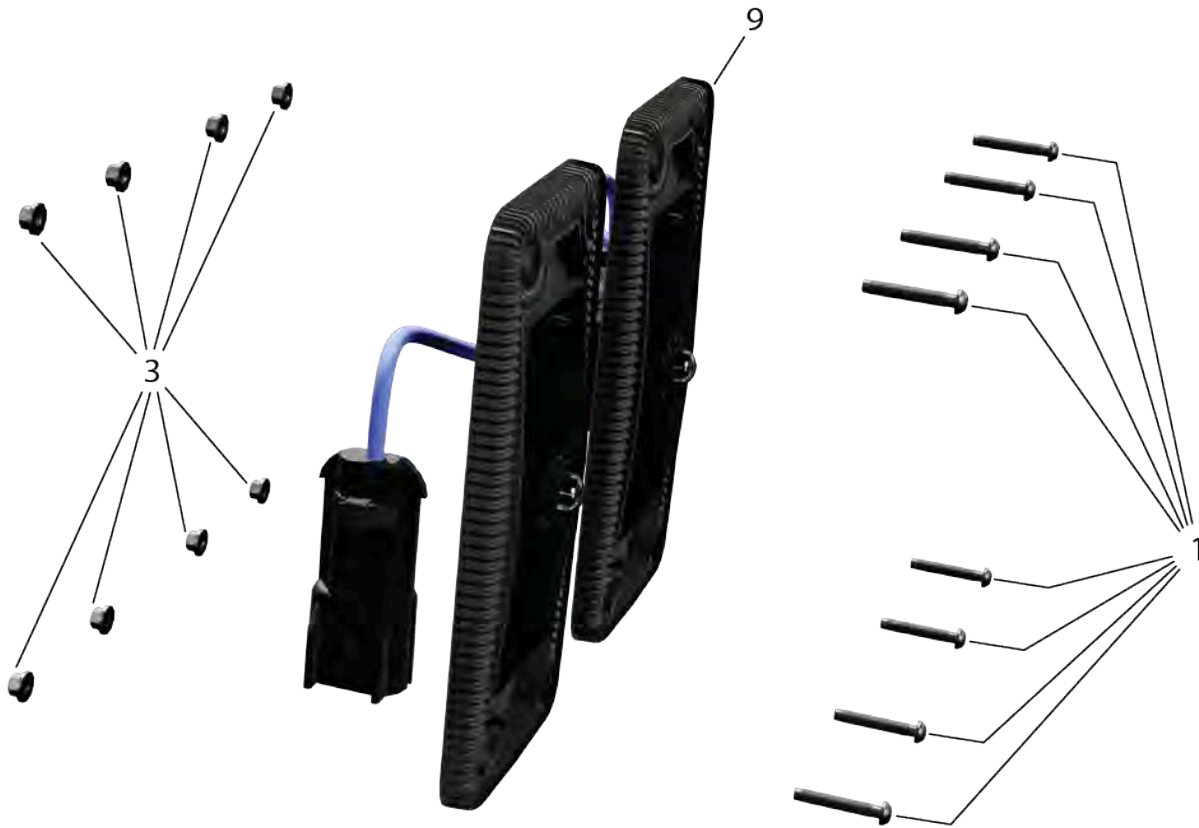
INTERIOR LIGHTING, BEV



INTERIOR LIGHTING BEV



INTERIOR LIGHTING BEV



INTERIOR LIGHTING BEV

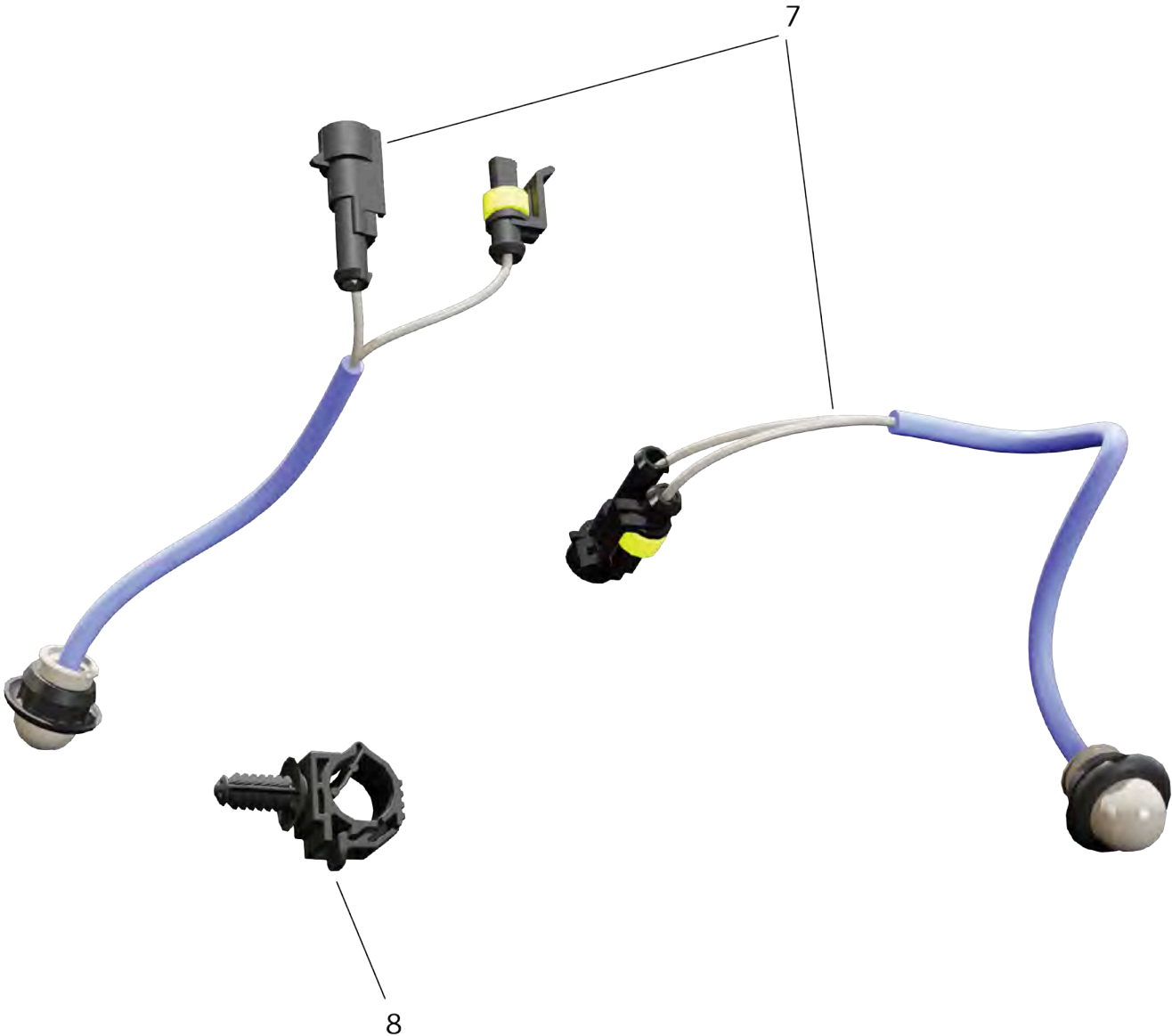




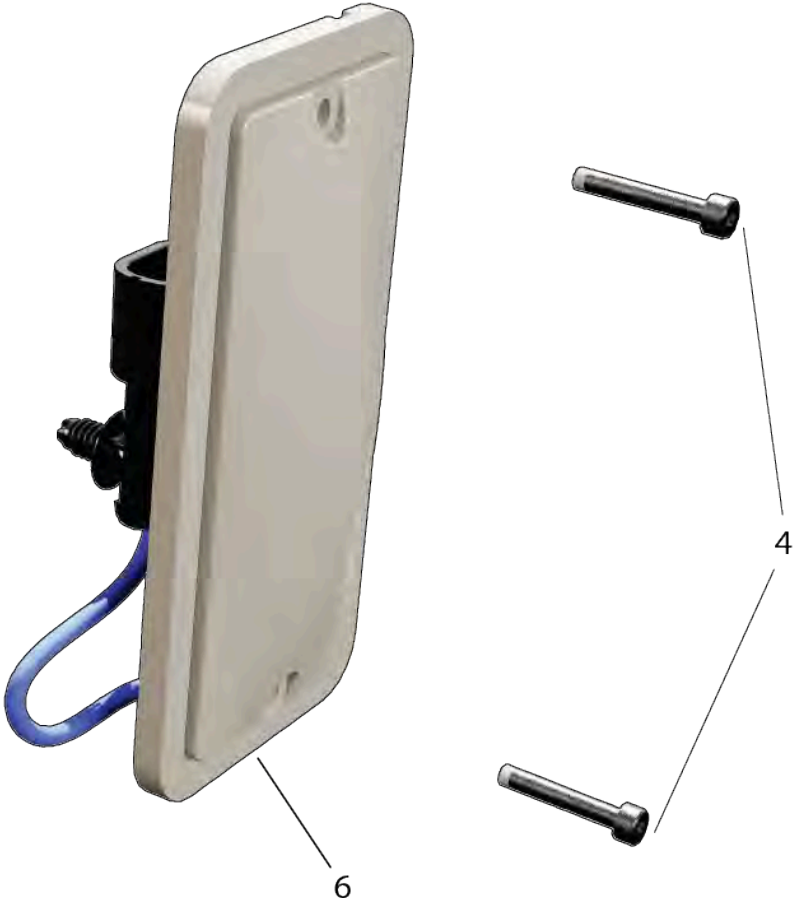
Table 153. INTERIOR LIGHTING BEV

Item Number	Part Number	Description	Quantity	Primary Source
1	U3400A	SCREW,MACHINE M3-0.5X20 A2 SS	8	Oshkosh Defense
2	U3402A	LIGHT,MAP,CLR,12, LED	1	Oshkosh Defense
3	U3404A	NUT,FLG M3-0.5 IS SS	12	Oshkosh Defense
4	U3406A	SCREW,CAP,SOCKET HEAD,M4-0.7X25 12.9 MB	2	Oshkosh Defense
5	U3408A	SCREW,MACHINE M3-0.5X12 A2 SS	4	Oshkosh Defense
6	U3401A	LIGHT,DOVE,CLR,12, LED	1	Oshkosh Defense
7	U3403A	LIGHT,STEP,CLR,12, LED	2	Oshkosh Defense
8	U3407A	CLIP,LOCKING-OMEGA 5-9MM NY	1	Oshkosh Defense
9	U3405A	LIGHT,CARGO INT, CLR,12,LED	2	Oshkosh Defense
10	U340BA	LIGHT,INDICATOR, BLUE,12,LED	1	Oshkosh Defense
11	U528AA	NUT,U M4-0.7 0.8-4.0	2	Oshkosh Defense
12	U340AA	WASHER,FLAT M4X9X0.8 MB	4	Oshkosh Defense

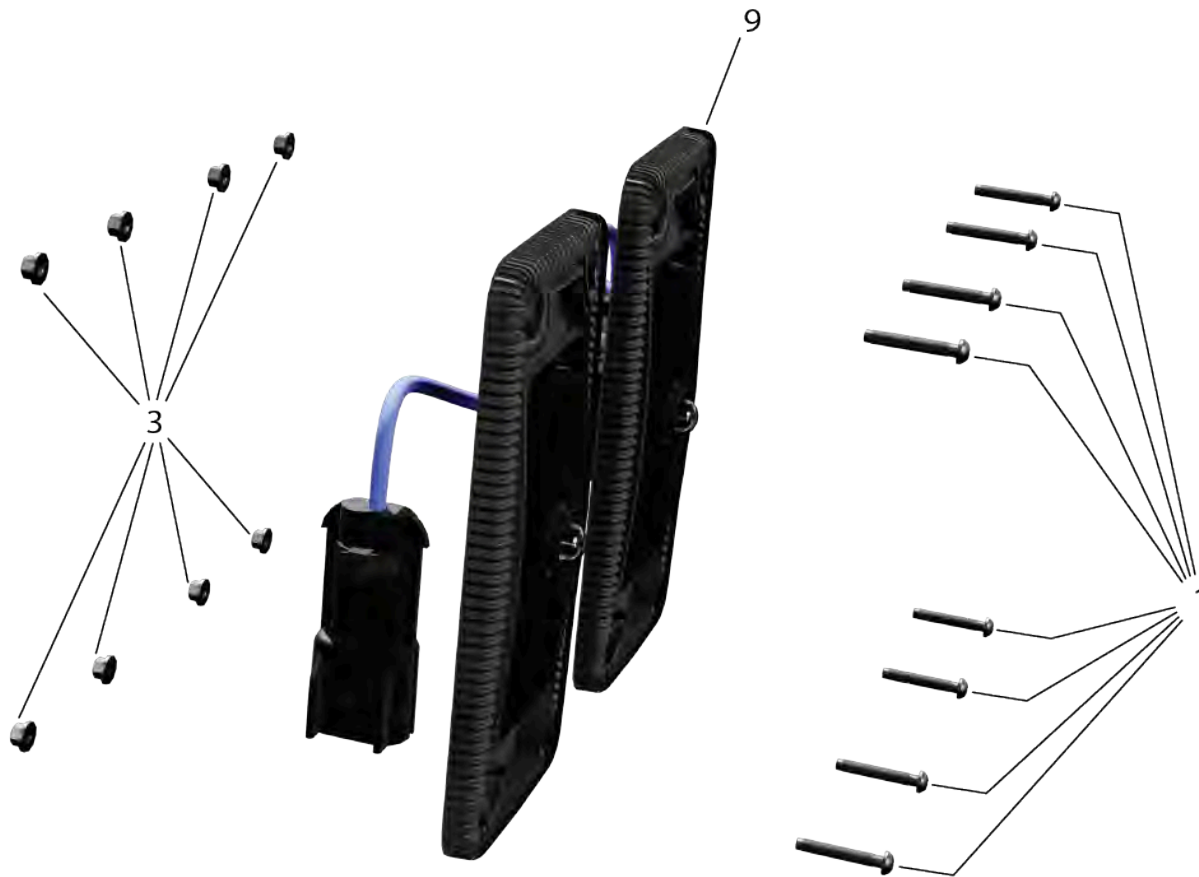
INTERIOR LIGHTING ICE



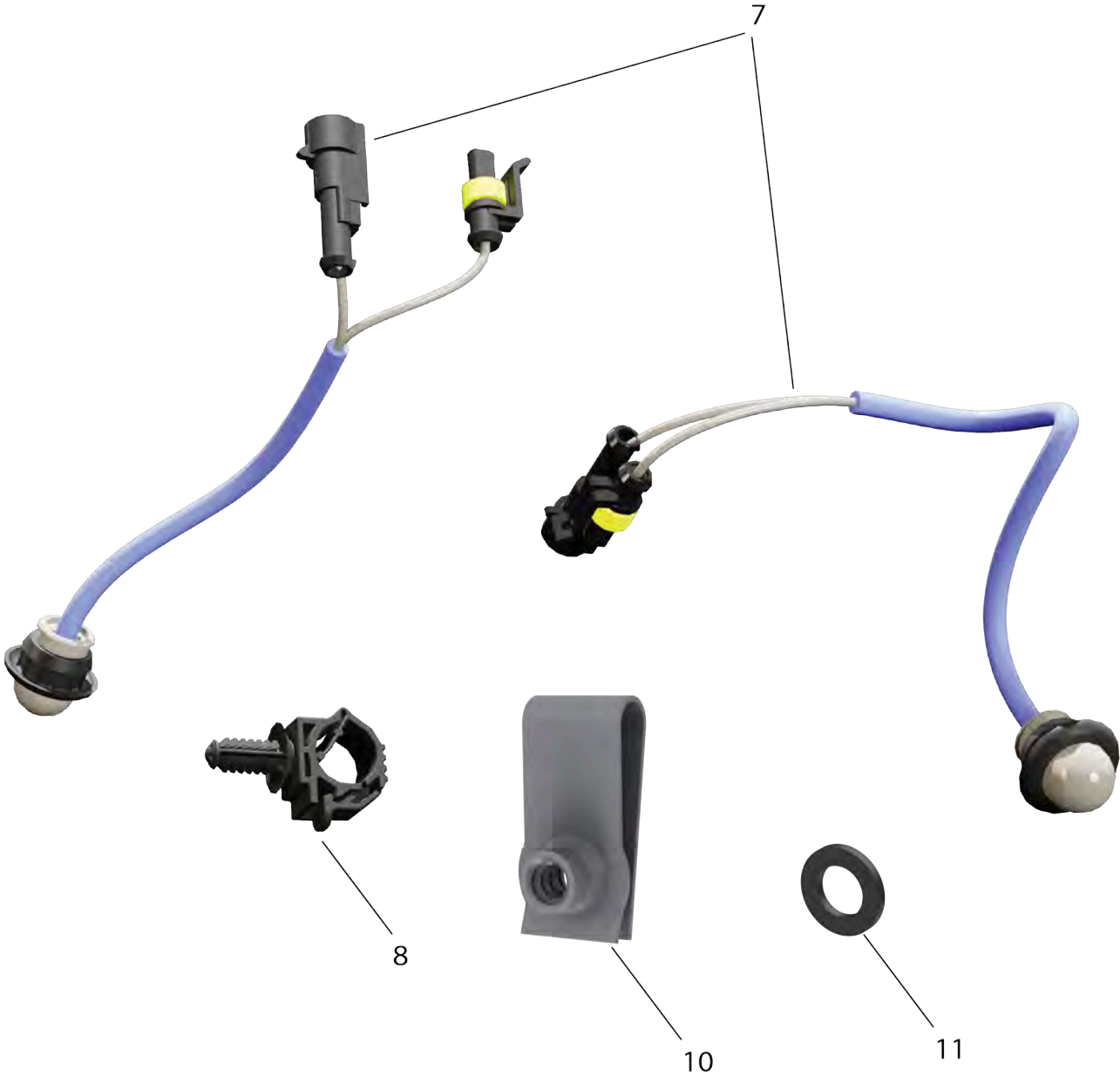
INTERIOR LIGHTING ICE



INTERIOR LIGHTING ICE



INTERIOR LIGHTING ICE



INTERIOR LIGHTING**Table 154. INTERIOR LIGHTING ICE**

Item Number	Part Number	Description	Quantity	Primary Source
1	U3400A	SCREW,MACHINE M3-0.5X20 A2 SS	8	Oshkosh Defense
2	U3402A	LIGHT,MAP,CLR,12, LED	1	Oshkosh Defense
3	U3404A	NUT,FLG M3-0.5 IS SS	12	Oshkosh Defense
4	U3406A	SCREW,CAP,SOCKET HEAD,M4-0.7X25 12.9 MB	2	Oshkosh Defense
5	U3408A	SCREW,MACHINE M3-0.5X12 A2 SS	4	Oshkosh Defense
6	U3401A	LIGHT,DOVE,CLR,12, LED	1	Oshkosh Defense
7	U3403A	LIGHT,STEP,CLR,12, LED	2	Oshkosh Defense
8	U3407A	CLIP,LOCKING-OMEGA 5-9MM NY	1	Oshkosh Defense
9	U3405A	LIGHT,CARGO INT, CLR,12,LED	2	Oshkosh Defense
10	U528AA	NUT,U M4-0.7 0.8-4.0	2	Oshkosh Defense
11	U340AA	WASHER,FLAT M4X9X0.8 MB	4	Oshkosh Defense



EXTERIOR LIGHTING, FRONT



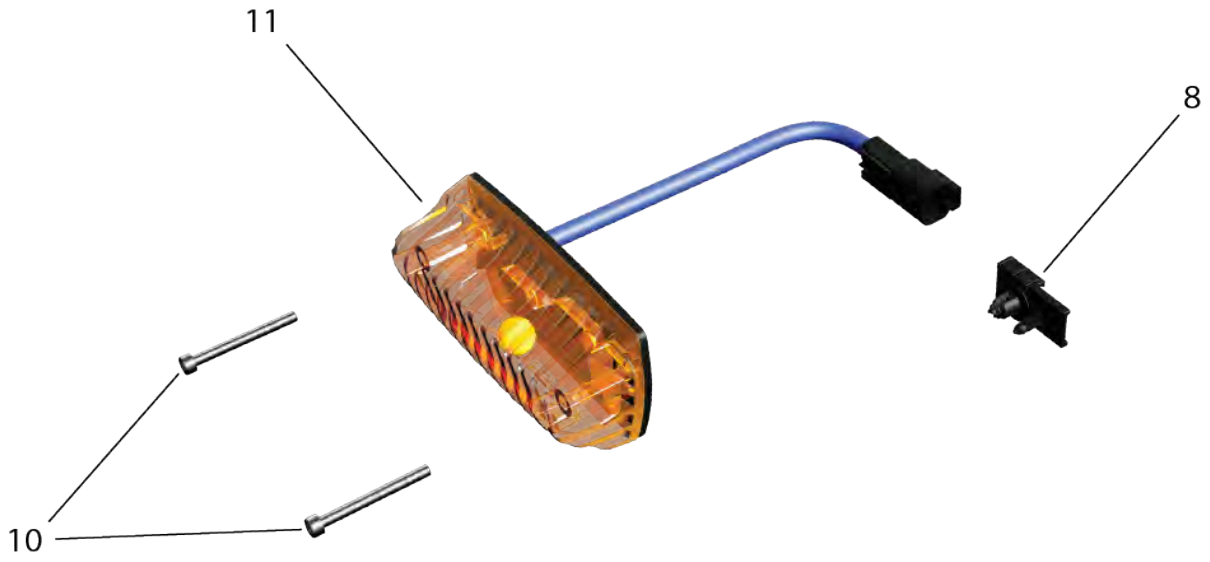
EXTERIOR LIGHTING,FRONT



EXTERIOR LIGHTING,FRONT



EXTERIOR LIGHTING,FRONT



EXTERIOR LIGHTING,FRONT

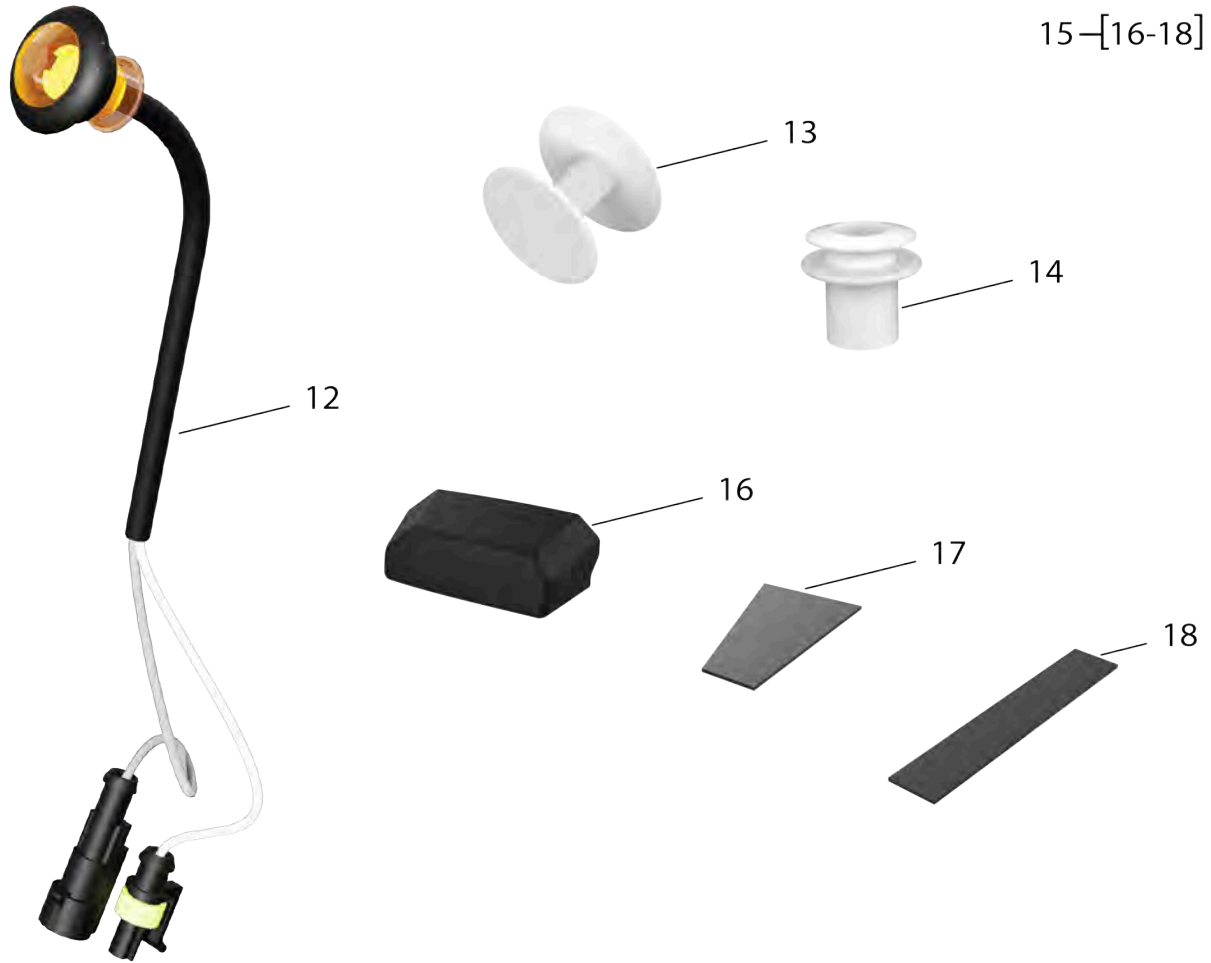
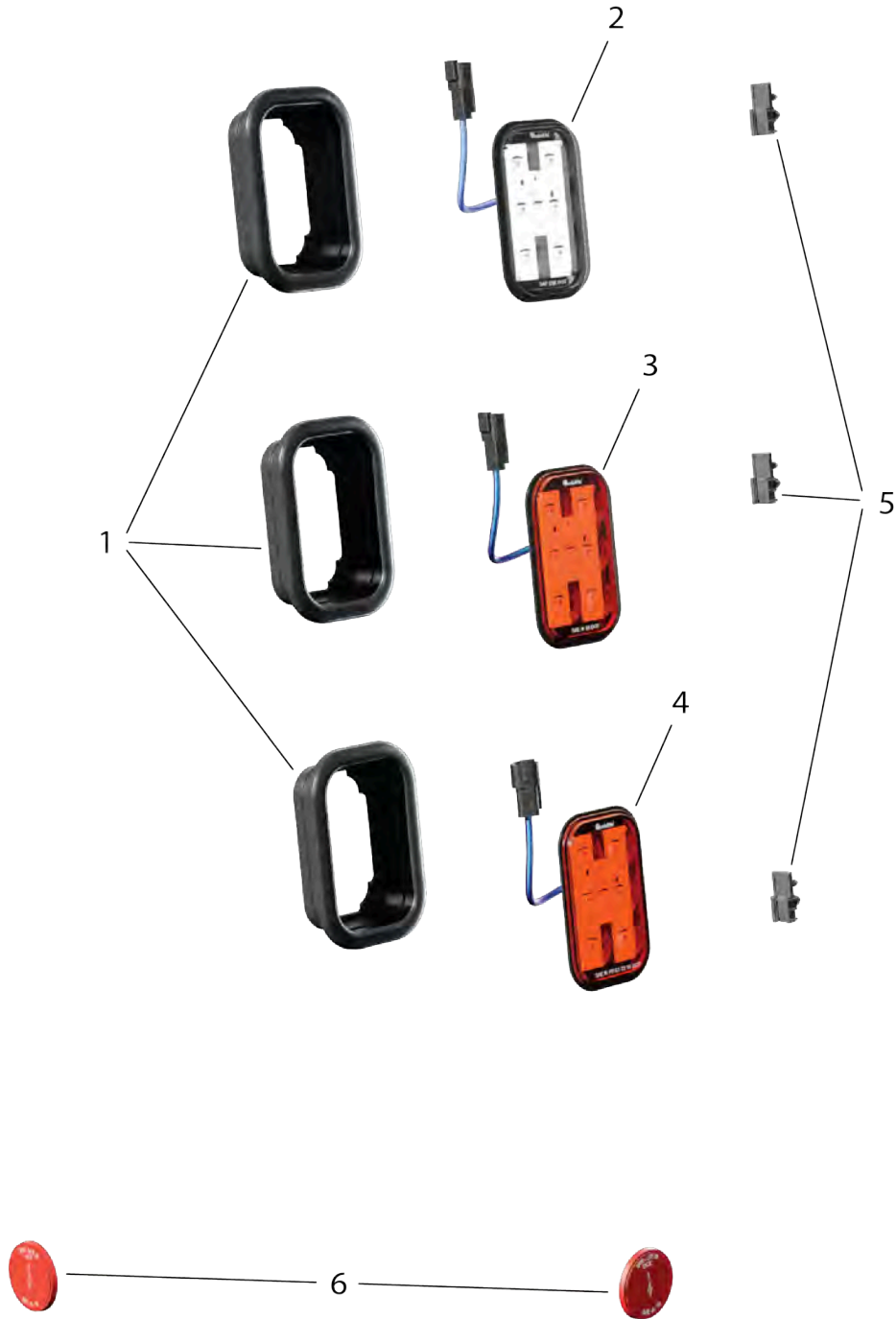


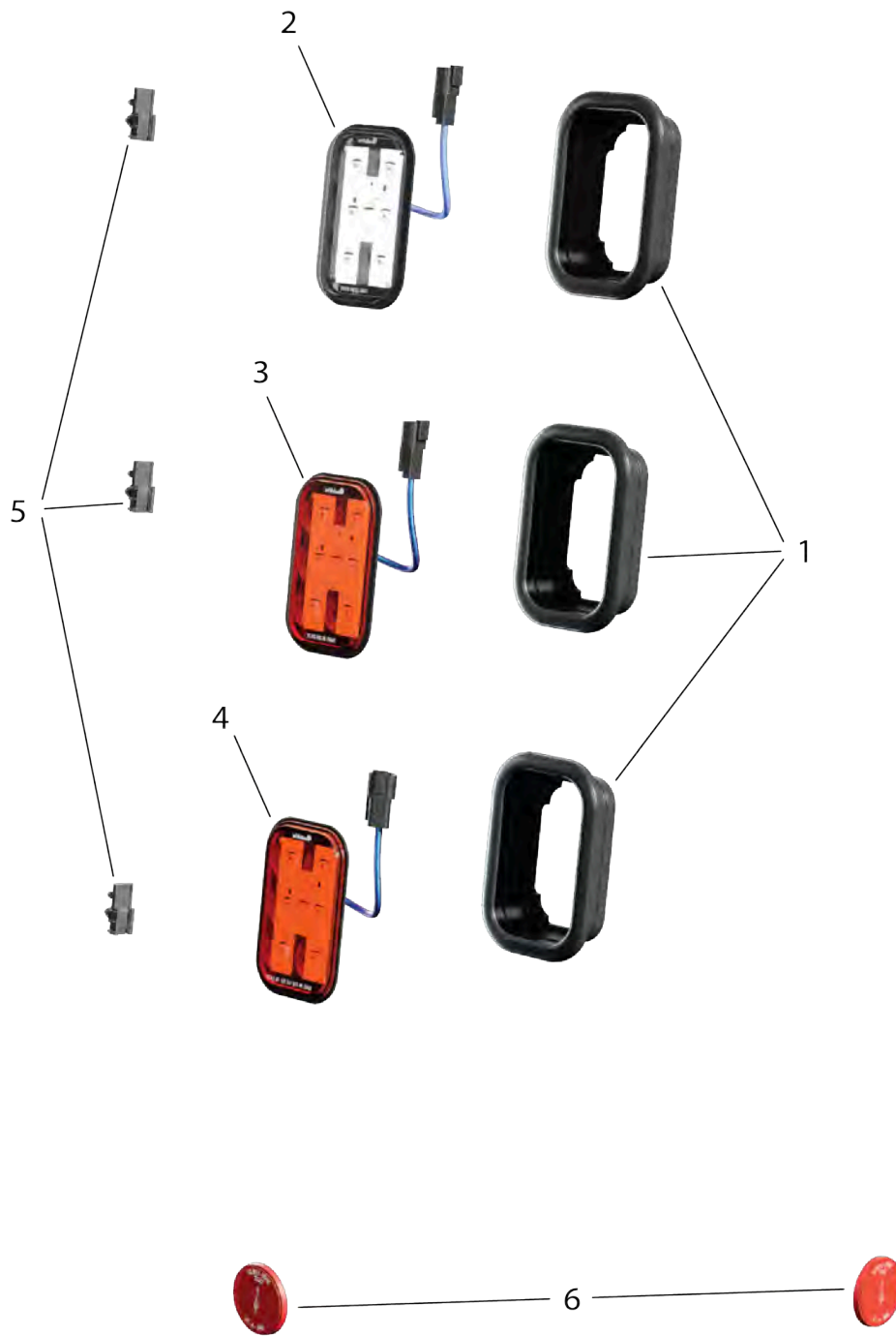
Table 155. EXTERIOR LIGHTING,FRONT

Item Number	Part Number	Description	Quantity	Primary Source
1	U340XA	LIGHT,RH HEAD,CLR, 12,LED	1	Oshkosh Defense
2	U340WA	LIGHT,LH HEAD,CLR, 12,LED	1	Oshkosh Defense
3	U340SA	LIGHT,MRK INDICATOR,AMB, 12,LED	2	Oshkosh Defense
4	U340YA	CLAMP,LOOP .75 ST VY	2	Oshkosh Defense
5	U3410A	BRKT,WIRE CHASE, FENDER	2	Oshkosh Defense
6	U421SA	NUT,FLG M6-1.0 C10 MG	14	Oshkosh Defense
7	U340TA	LIGHT,TURN SIG,AMB, 12,LED	2	Oshkosh Defense
8	U340DA	BRKT,CONN MTG, DEUTSCH DT	5	Oshkosh Defense
9	U340VA	PUSHPIN,BRB,CONN MTG	2	Oshkosh Defense
10	U340ZA	SCREW,CAP,SOCKET HEAD,M4-0.7X40 12.9 MB	2	Oshkosh Defense
11	U340UA	LIGHT,SCENE,CLR, 12, LED	1	Oshkosh Defense
12	U340RA	LIGHT,MRK,AMB, 12, LED	5	Oshkosh Defense
13	U3411A	RIVET,BLIND	4	Oshkosh Defense
14	U3409A	INSERT,SCREW THREAD M4-0.7X2.00 AL	2	Oshkosh Defense
15	U3412A	SHROUD,PORCH LIGHT, ASSY	1	Oshkosh Defense
16	U3413A	SHROUD,PORCH LIGHT	1	Oshkosh Defense
17	U3414A	TAPE,A,SHROUD,PORCH LIGHT	1	Oshkosh Defense
18	U3415A	TAPE,B,SHROUD,PORCH LIGHT	1	Oshkosh Defense

EXTERIOR LIGHTING, REAR

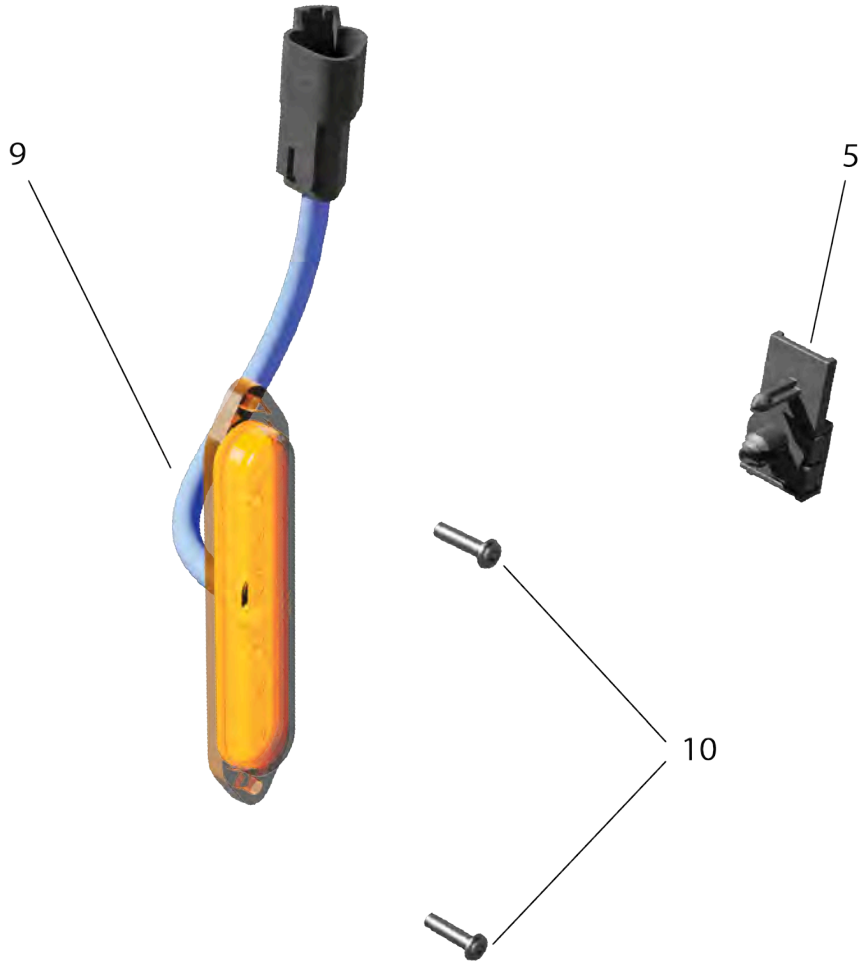


EXTERIOR LIGHTING, REAR

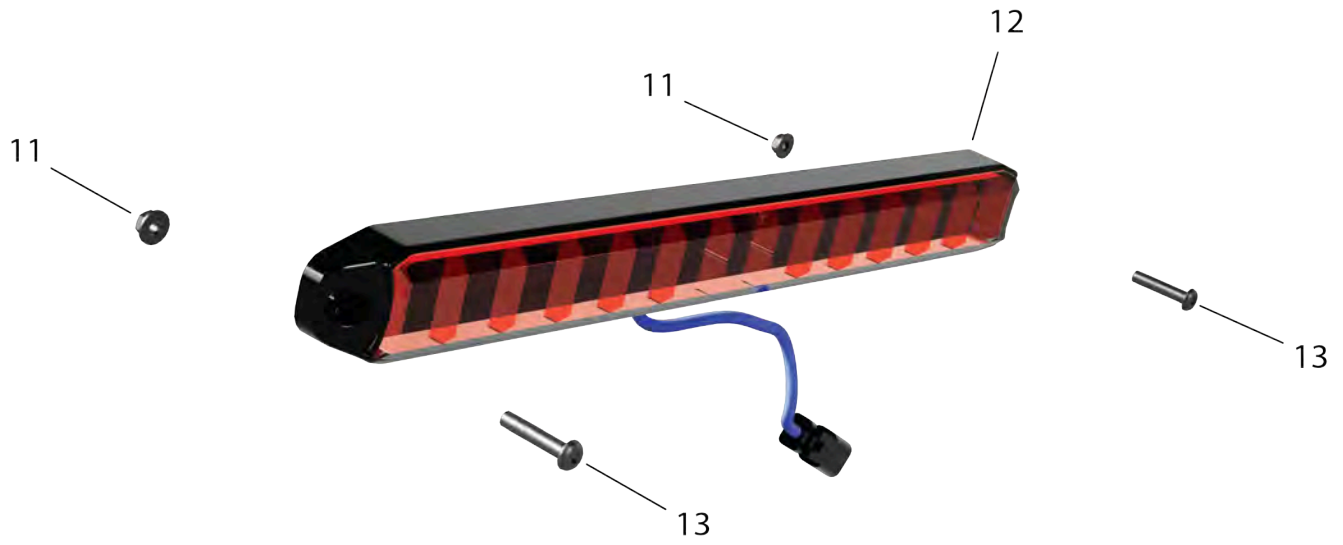


EXTERIOR LIGHTING

EXTERIOR LIGHTING, REAR



EXTERIOR LIGHTING, REAR



EXTERIOR LIGHTING

EXTERIOR LIGHTING, REAR



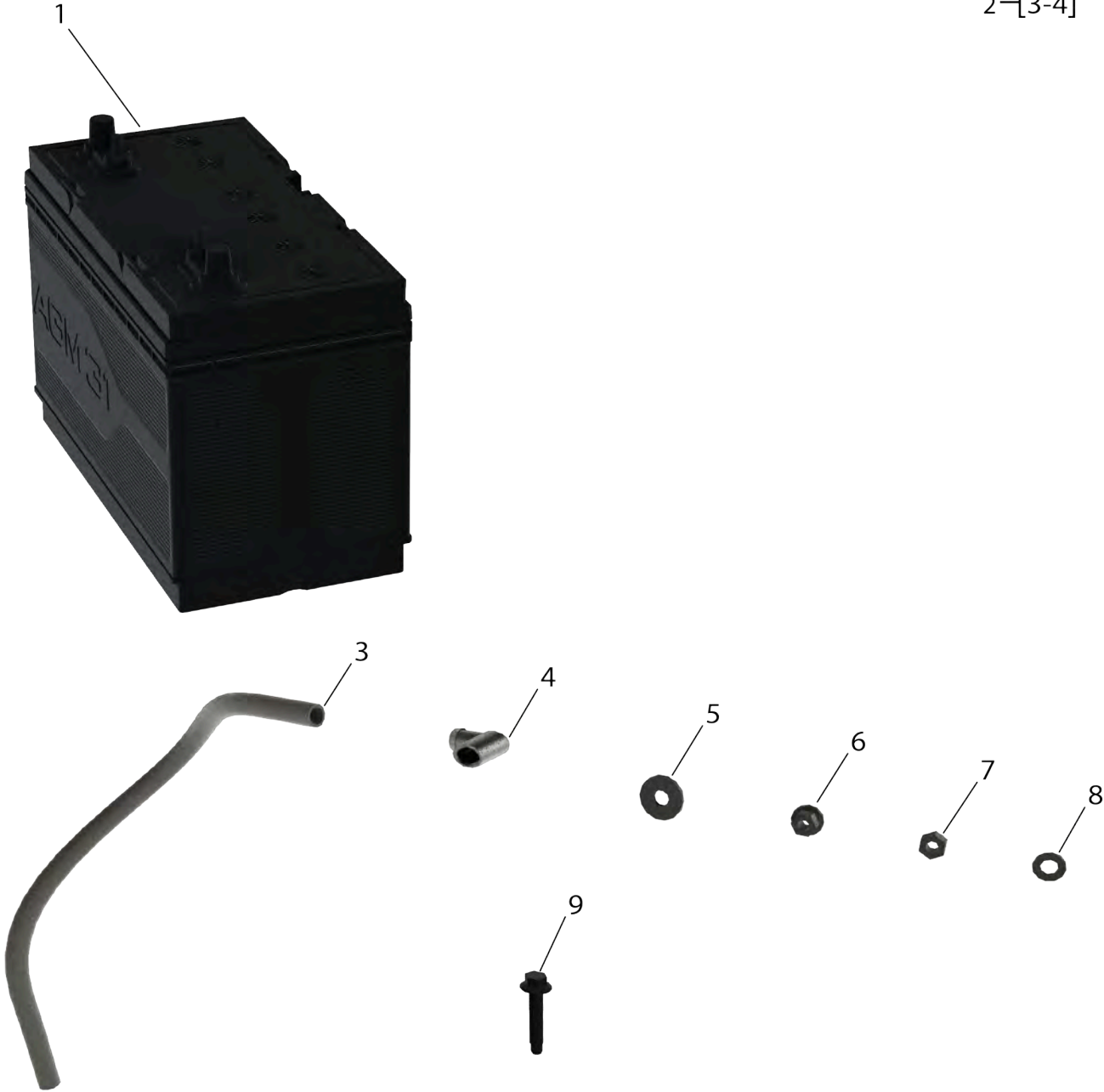
Table 156. EXTERIOR LIGHTING,REAR

Item Number	Part Number	Description	Quantity	Primary Source
1	U340CA	GROMMET,NONMETALLIC	6	Oshkosh Defense
2	U340LA	LIGHT,BACK-UP,CLR, 12,LED	2	Oshkosh Defense
3	U340KA	LIGHT,TURN SIG,AMB, 12,LED	2	Oshkosh Defense
4	U340JA	LIGHT,TAIL,RED,12, LED	2	Oshkosh Defense
5	U340DA	BRKT,CONN MTG, DEUTSCH DT	8	Oshkosh Defense
6	U340EA	REFLECTOR,2IN RFLX, RED,ADH	4	Oshkosh Defense
7	U340QA	WASHER,FLAT M5X15X1.2 MB	4	Oshkosh Defense
8	U340FA	LIGHT,MRK,RED,12, LED	5	Oshkosh Defense
9	U340GA	LIGHT,STROBE,AMB, 12,LED	2	Oshkosh Defense
10	U340MA	SCREW,MACHINE M4-0.7X16 C10.9 MB	4	Oshkosh Defense
11	U340PA	NUT,PLAIN,EXTENDED WASHER,HEXAGON M5-0.8 C10	2	Oshkosh Defense
12	D014Y252	LIGHT,CHMSL,RED,12, LED	1	Oshkosh Defense
13	U340NA	SCREW,CAP,SOCKET HEAD,M5-0.8X25 C10.9 MB	2	Oshkosh Defense



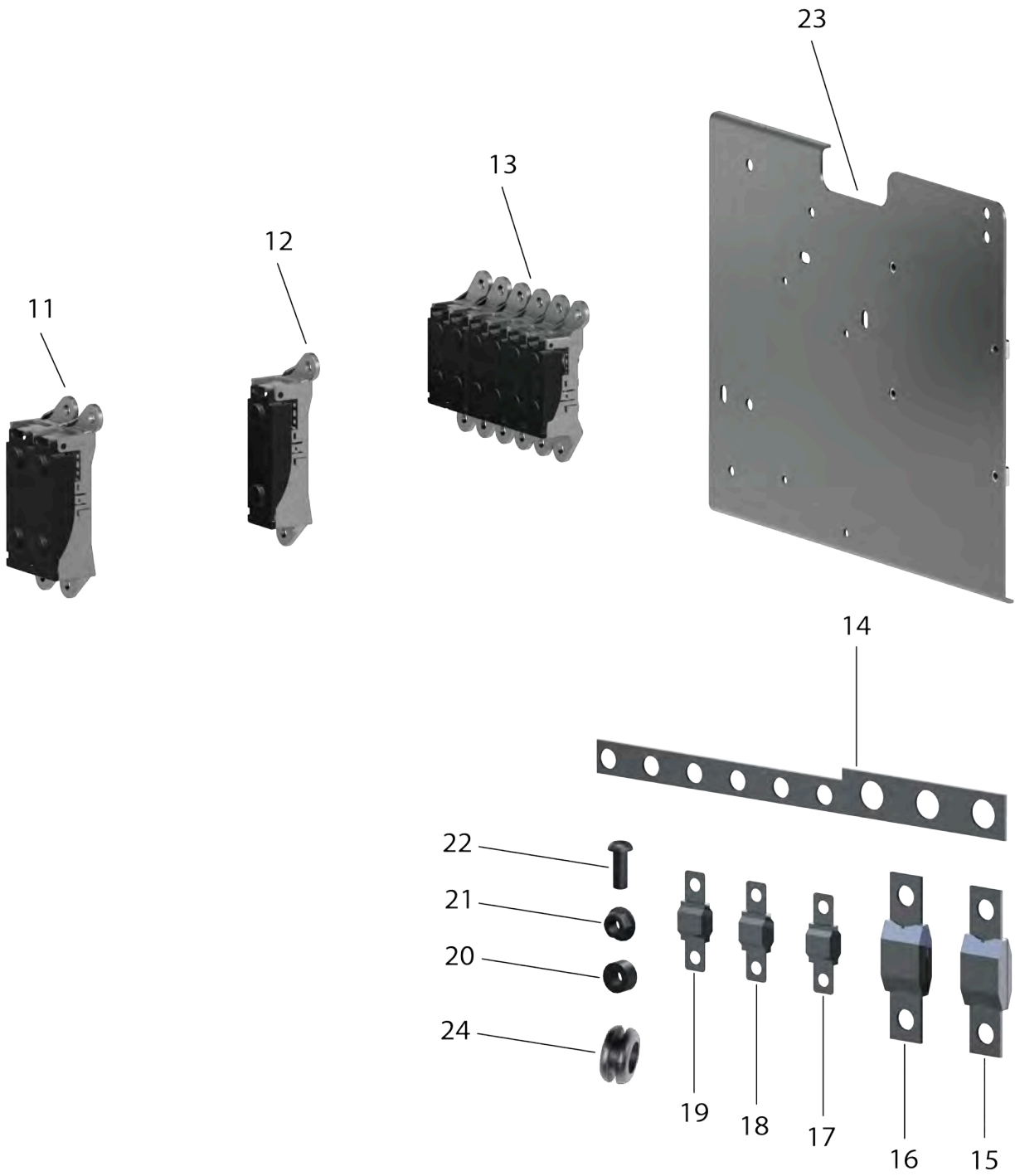
BATTERY

2-[3-4]



BATTERY

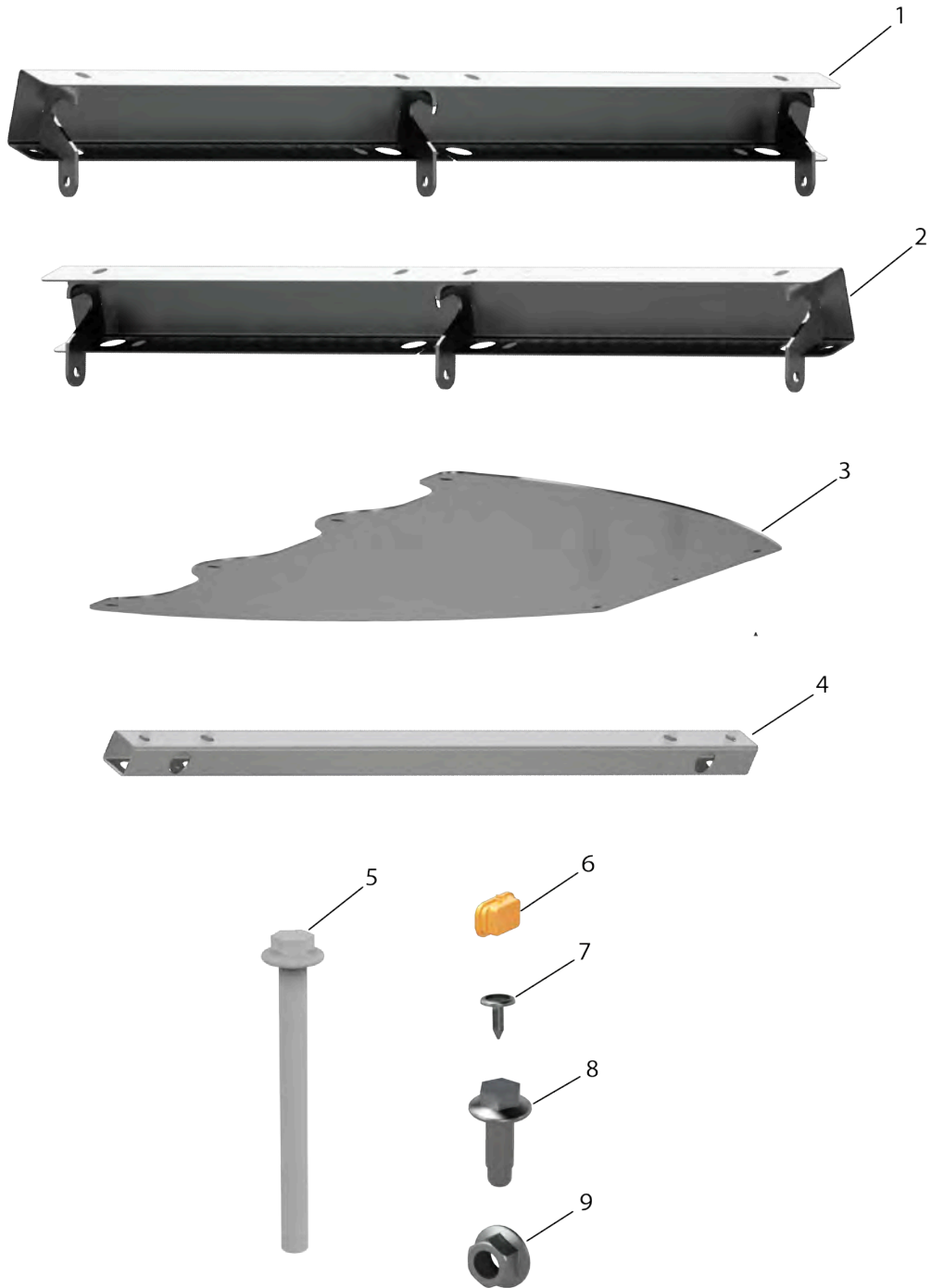
10-[11-19]



BATTERIES**Table 157. BATTERY**

Item Number	Part Number	Description	Quantity	Primary Source
1	U3203A	BATTERY,12V,GRP 31,	1	Oshkosh Defense
2	U320KA	HOSE ASSY #6 PO 16.5	1	Oshkosh Defense
3	U320LA	HOSE,BATTERY VENT 0.38 ST,RB	1	Oshkosh Defense
4	U320MA	FTG,90 .38 BARB M P	1	Oshkosh Defense
5	U4230A	WASHER,FLAT M6X18X1.6 MB	4	Oshkosh Defense
6	U320JA	NUT,FLG,LKDT M5-0.8 C8.8 ZN	6	Oshkosh Defense
7	U320GA	NUT,PLAIN,HEXAGON M5-0.8 SS	10	Oshkosh Defense
8	U320FA	WASHER,FLAT M5X10X1.0 SS	20	Oshkosh Defense
9	U320HA	SCREW,CAP,HEXAGON M6-1.0X25 C10.9 MB	4	Oshkosh Defense
10	U3508A	MODULE,MTA,HC PDM,2	1	Oshkosh Defense
11	U320AA	FUSE HOLDER,MEGA, DBL POST	2	Oshkosh Defense
12	U320BA	FUSE HOLDER,MEGA, SGL POST	1	Oshkosh Defense
13	U3209A	FUSE HOLDER,MIDI, DBL POST	6	Oshkosh Defense
14	5134754001	BUSBAR,FUSE ASSY,8 POS,NOT PROCURABLE, MUST PURCHASE U3508A	1	Oshkosh Defense
15	U3207A	FUSE,MEGA,DBL POST, 250A,32V	1	Oshkosh Defense
16	U3208A	FUSE,MEGA,DBL POST, 500A,32V	1	Oshkosh Defense
17	U3206A	FUSE,MIDI,DBL POST, 125A,32V	1	Oshkosh Defense
18	U3204A	FUSE,MIDI,DBL POST, 50A,32V	3	Oshkosh Defense
19	U3205A	FUSE,MIDI,DBL POST, 80A,32V	2	Oshkosh Defense
20	U320EA	SPACER 6.40X12.70X12.70 AL	4	Oshkosh Defense
21	U320DA	NUT,SELF-LOCKING, EXTENDED WASHER,HEXAGON	3	Oshkosh Defense
22	U024NA	SCR,BTN,SOC M5-0.8X16 A2 SS	10	Oshkosh Defense
23	U320CA	BRKT,HCFB MTG,CAB	1	Oshkosh Defense
24	U3202A	GROMMET,NONMETALLIC	1	Oshkosh Defense

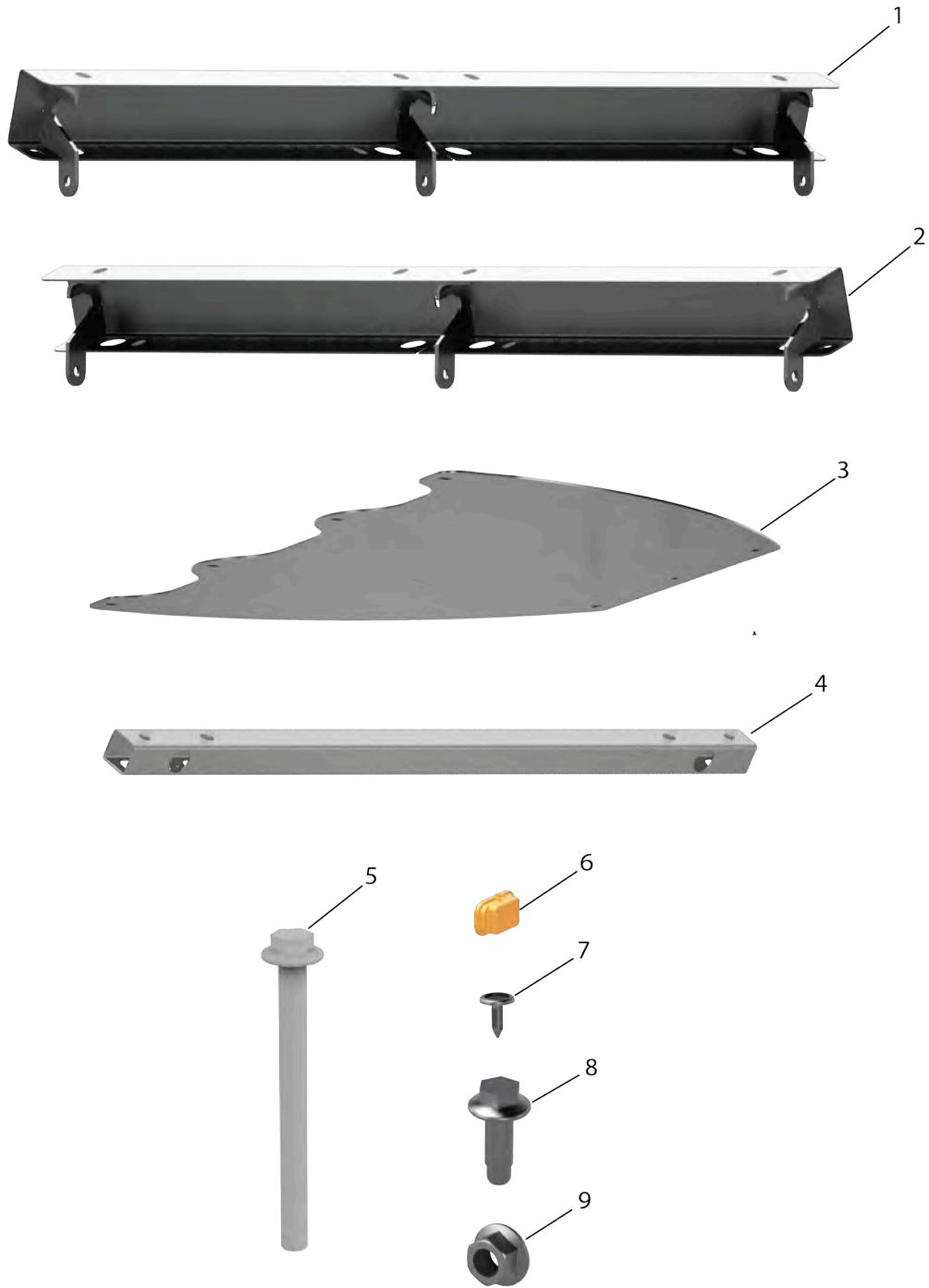
HV BATTERY,AWD



BATTERIES**Table 158. HV BATTERY,AWD**

Item Number	Part Number	Description	Quantity	Primary Source
1	U5213A	BRKT,BTRY MT,RS, WELDMENT	1	Oshkosh Defense
2	U5214A	BRKT,BTRY MT,CS, WELDMENT	1	Oshkosh Defense
3	U5215A	SPLASHGUARD,BTRY, BEV	1	Oshkosh Defense
4	U521AA	TUBE,BTRY MT,LATL	3	Oshkosh Defense
5	U520FA	SCR,FLG,HEX M16X180 C10.9 MG	6	Oshkosh Defense
6	U5218A	DISCONNECT,MASTER SERVICE	1	Oshkosh Defense
7	U5219A	PUSHPIN,ARW .25X.69X.25	7	Oshkosh Defense
8	U5217A	SCR,FLG,HEX,DGP M16X45 C10.9MG	18	Oshkosh Defense
9	U520DA	NUT,FLANGE M16-2.0 C10 MG	18	Oshkosh Defense

HV BATTERY,FWD



BATTERIES**Table 159. HV BATTERY,FWD**

Item Number	Part Number	Description	Quantity	Primary Source
1	U5213A	BRKT,BTRY MT,RS, WELDMENT	1	Oshkosh Defense
2	U5214A	BRKT,BTRY MT,CS, WELDMENT	1	Oshkosh Defense
3	U5215A	SPLASHGUARD,BTRY, BEV	1	Oshkosh Defense
4	U5216A	TUBE,BTRY MT,LATL	3	Oshkosh Defense
5	U520FA	SCR,FLG,HEX M16-2.0X180C10.9MG	6	Oshkosh Defense
6	U5218A	DISCONNECT,MASTER SERVICE	1	Oshkosh Defense
7	U5219A	PUSHPIN,ARW .25X.69X.25	7	Oshkosh Defense
8	U5217A	SCR,FLG,HEX,DGP M16X45 C10.9MG	18	Oshkosh Defense
9	U520DA	NUT,FLANGE M16-2.0 C10 MG	18	Oshkosh Defense

BATTERY PACK, AWD

1-[2]



BATTERIES

Table 160. BATTERY PACK,AWD

Item Number	Part Number	Description	Quantity	Primary Source
1	D014W499	MODULE ASSY,ECU, BAT,BMS,NBA,F34.7B	1	Oshkosh Defense
2	D014T259	BATTERY,PROP,450V, 94KWH,AWD	1	Oshkosh Defense

BATTERY PACK, FWD

1-[2]



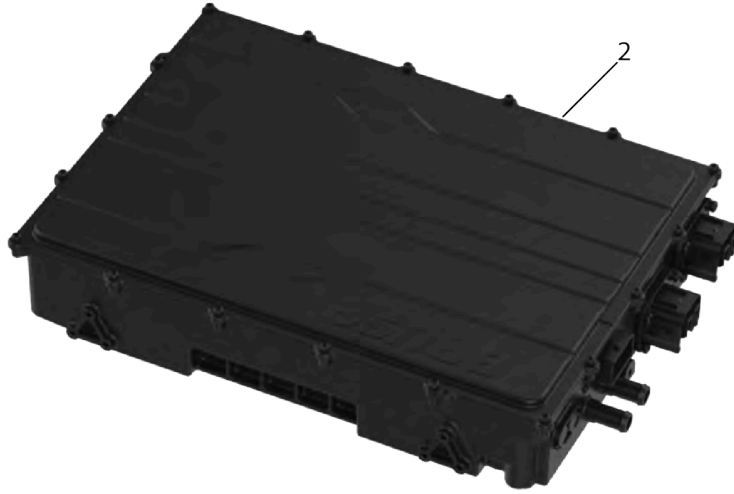
BATTERIES

Table 161. BATTERY PACK,FWD

Item Number	Part Number	Description	Quantity	Primary Source
1	D014W500	MODULE ASSY,ECU, BAT,BMS,NBF,F34.7B	1	Oshkosh Defense
2	D014T258	BATTERY,PROP,450V, 94KWH,FWD	1	Oshkosh Defense

MODULE, CHARGER

1-[2]



BATTERIES

Table 162. MODULE, CHARGER

Item Number	Part Number	Description	Quantity	Primary Source
1	D014K244	MODULE ASSY,ECU, OBC,NBX	1	Oshkosh Defense
2	U523PA	CHARGER,BEV,BRUSA	1	Oshkosh Defense



360 VIEW SYSTEM

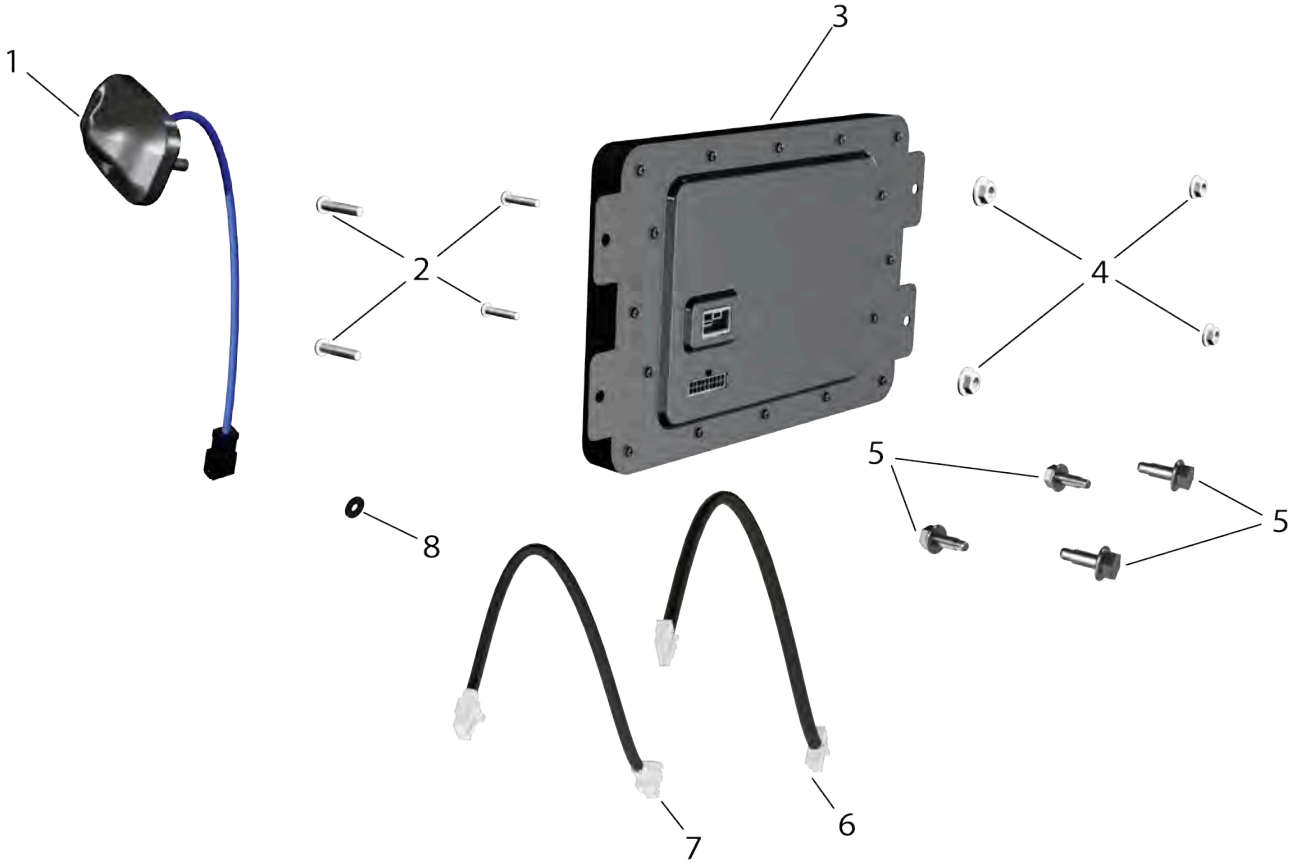


Table 163. 360 VIEW SYSTEM

Item Number	Part Number	Description	Quantity	Primary Source
1	U3518A	CAMERA,360	4	Oshkosh Defense
2	U5287A	SCREW,CAP,SOCKET HEAD,M5-0.8X16 C10.9 MB	4	Oshkosh Defense
3	U3519A	DISPLAY,OPERATOR, VOXX,INT	1	Oshkosh Defense
4	U340PA	NUT,PLAIN,EXTENDED WASHER,HEXAGON M5-0.8 C10	4	Oshkosh Defense
5	U02G7A	SCR,FLG,HEX M5-0.8X16 C10.9 MB	4	Oshkosh Defense
6	U351AA	WIRE,HARN,CAB,LVDS	1	Oshkosh Defense
7	U351BA	WIRE,HARN,CAB,DSP, PWR	1	Oshkosh Defense
8	U340QA	WASHER,FLAT M5X15X1.2 MB	4	Oshkosh Defense

BLIND SPOT INFORMATION SYSTEM



Table 164. BLIND SPOT INFORMATION SYSTEM

Item Number	Part Number	Description	Quantity	Primary Source
1	U5200A	SCR,FLG,HEX,DGP M6X20 C8.8 MG	6	Oshkosh Defense
2	U3419A	LIGHT,INDICATOR, AMB,2.85,LED	2	Oshkosh Defense

COLLISION WARNING SYSTEM

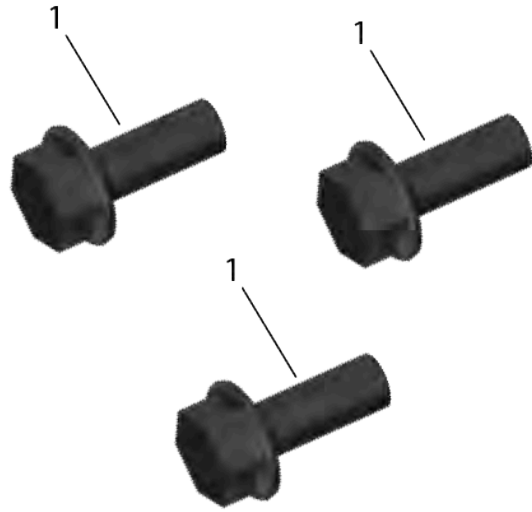


Table 165. COLLISION WARNING SYSTEM

Item Number	Part Number	Description	Quantity	Primary Source
1	U523CA	SCR,FLG,HEX M6-1.0X20 C10.9 ZN	3	Oshkosh Defense

PEDESTRIAN DETECTION

1-[2]



Table 166. PEDESTRIAN DETECTION

Item Number	Part Number	Description	Quantity	Primary Source
1	D014N014	MODULE ASSY,ECU, MPC,NXX,4.1	1	Oshkosh Defense
2	D004N045	CAMERA,PEDESTRIAN DETECTION	1	Oshkosh Defense

SENSOR, RADAR, FR

1-[2]

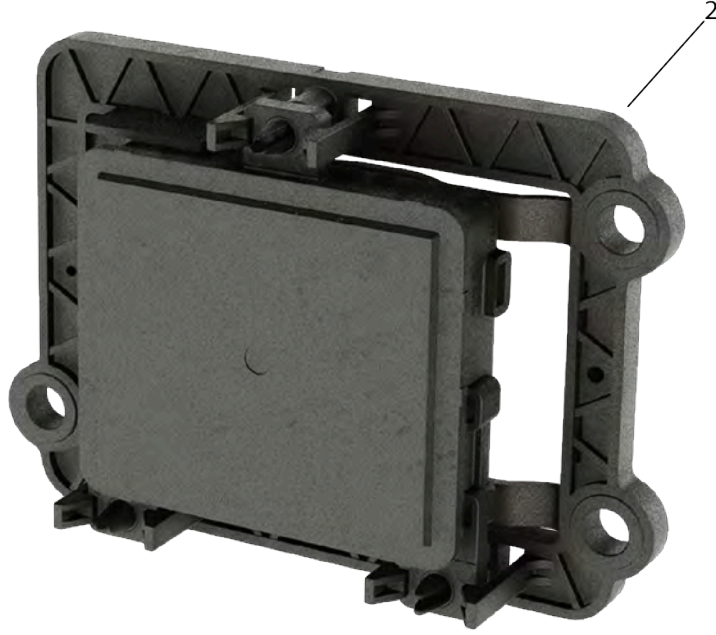


Table 167. SENSOR,RADAR,FR

Item Number	Part Number	Description	Quantity	Primary Source
1	U351CA	MODULE ASSY,ECU, RADARFRONT,NXX,5.1	1	Oshkosh Defense
2	U351DA	SENSOR,RADAR,FWD	1	Oshkosh Defense

SENSOR, RADAR, CORNER

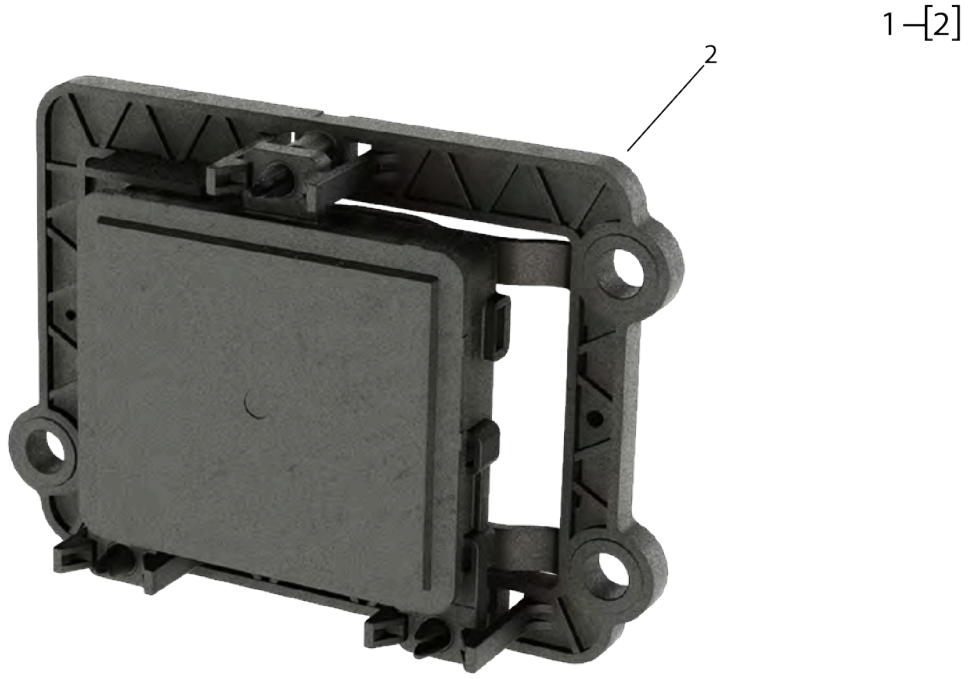


Table 168. SENSOR,RADAR,CORNER

Item Number	Part Number	Description	Quantity	Primary Source
1	U351EA	MOD ASSY,ECU, RADARCORNER,,NXX,5.0	2	Oshkosh Defense
2	U351FA	SENSOR,RADAR,CORNER	1	Oshkosh Defense

MODULE, ACOUSTIC VEHICLE ALERTING SYSTEM

1-[2]



Table 169. MODULE,ACOUSTIC VEHICLE ALERTING SYSTEM

Item Number	Part Number	Description	Quantity	Primary Source
1	D014K530	MODULE ASSY,ECU, AVAS,NBX	1	Oshkosh Defense
2	U3512A	MODULE,CTRL,AVAS	1	Oshkosh Defense

CAMERA

1-[2]



Table 170. CAMERA

Item Number	Part Number	Description	Quantity	Primary Source
1	D015A107	MODULE ASSY, 360CAMERA,NXX,1.3.0	1	Oshkosh Defense
2	U351JA	ECU,CAMERA360,NXX, SERIES	1	Oshkosh Defense

COVER,CAMERA



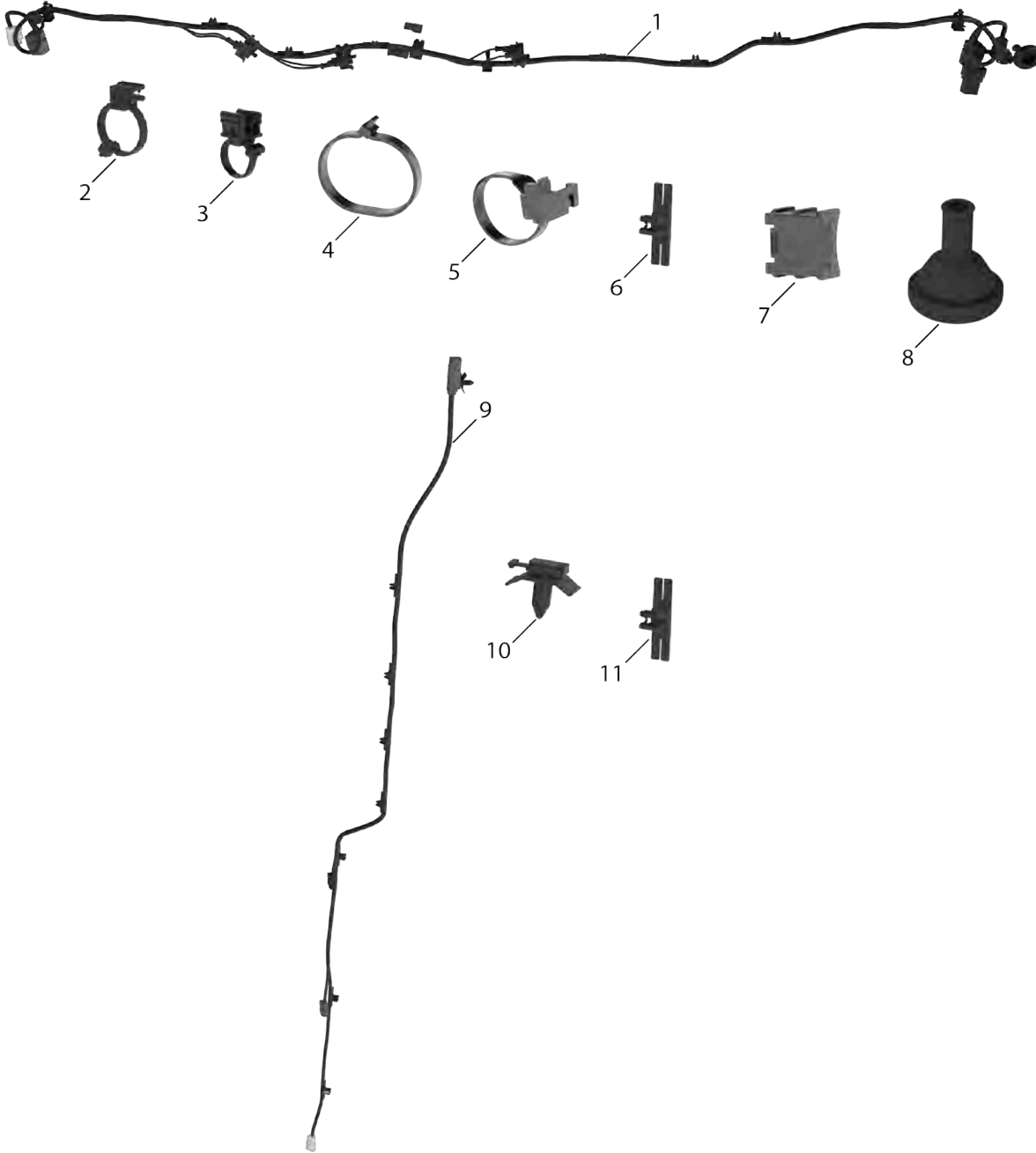
Table 171. COVER,CAMERA

Item Number	Part Number	Description	Quantity	Primary Source
1	U0280A	COVER,CAMERA,360	1	Oshkosh Defense
2	U5200A	SCR,FLG,HEX,DGP M6X20 C8.8 MG	2	Oshkosh Defense
3	U02R8A	TRIM,COVER,LATCH, HOOD	1	Oshkosh Defense
4	U02R9A	TRIM,COVER,LOCKBOX, RUD	1	Oshkosh Defense

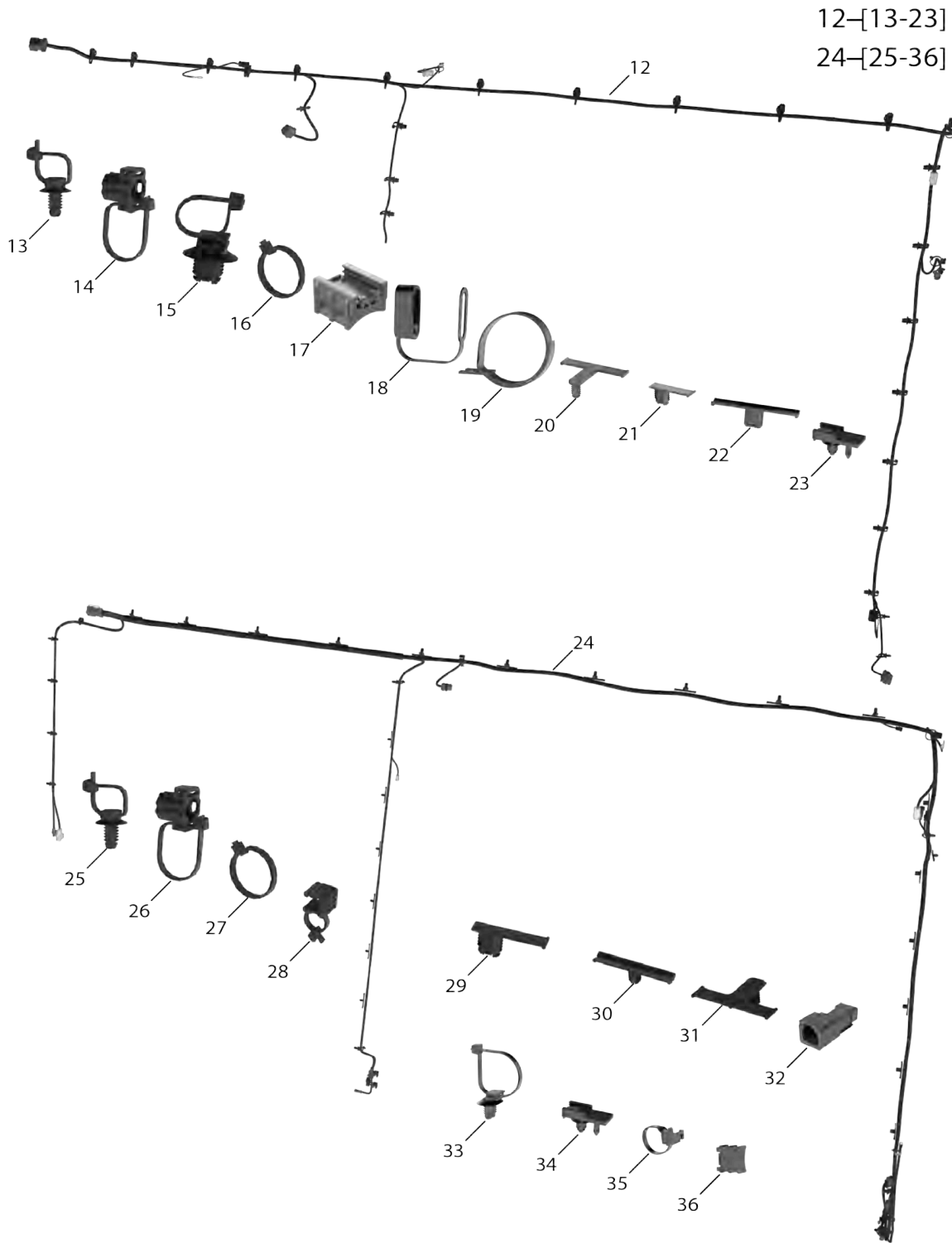


WIRING, CARGO BODY, NGDV

1-[2-8]
9-[10-11]

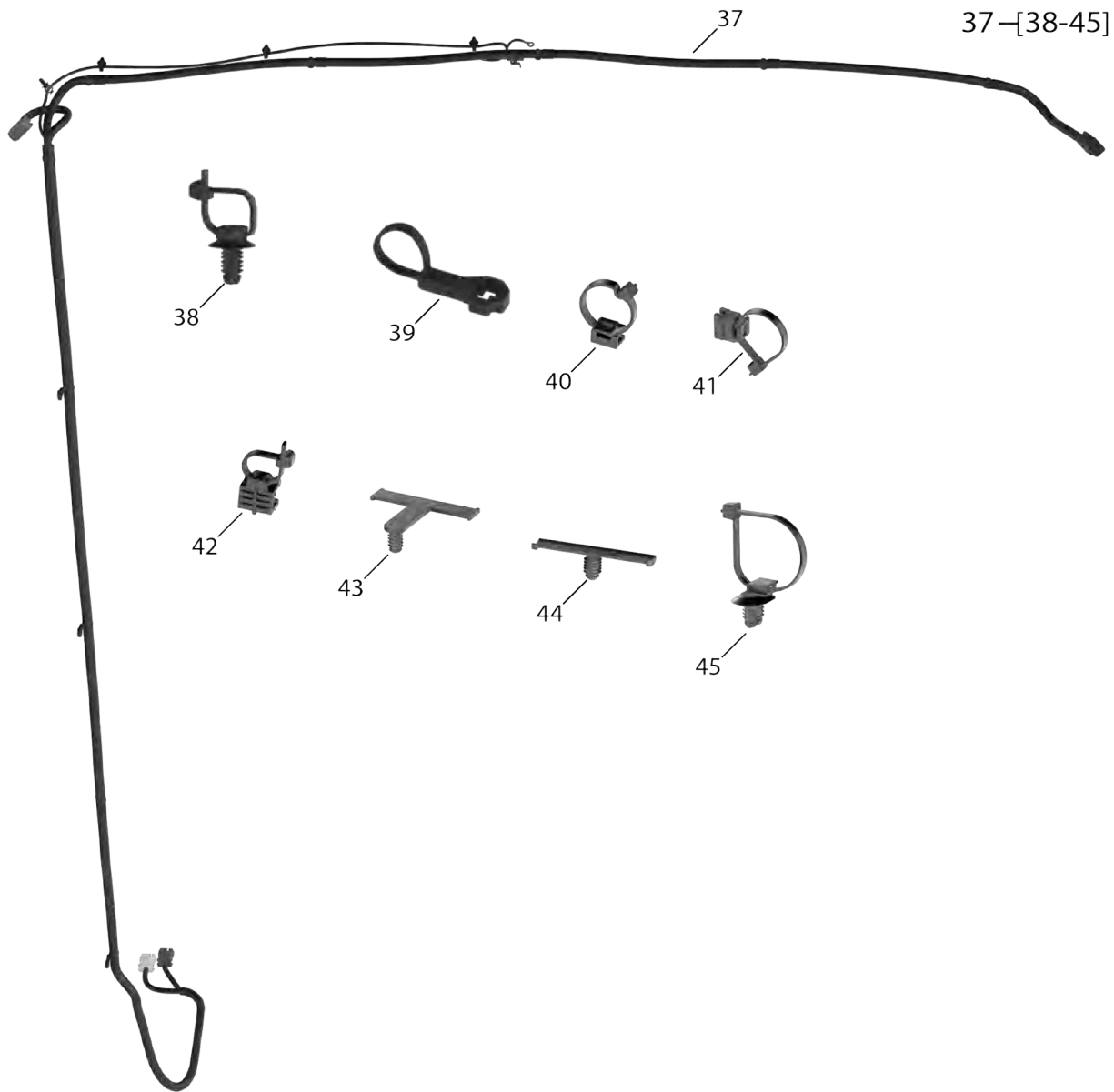


WIRING,CARGO BODY,NGDV



WIRING

WIRING,CARGO BODY,NGDV



WIRING,CARGO BODY,NGDV

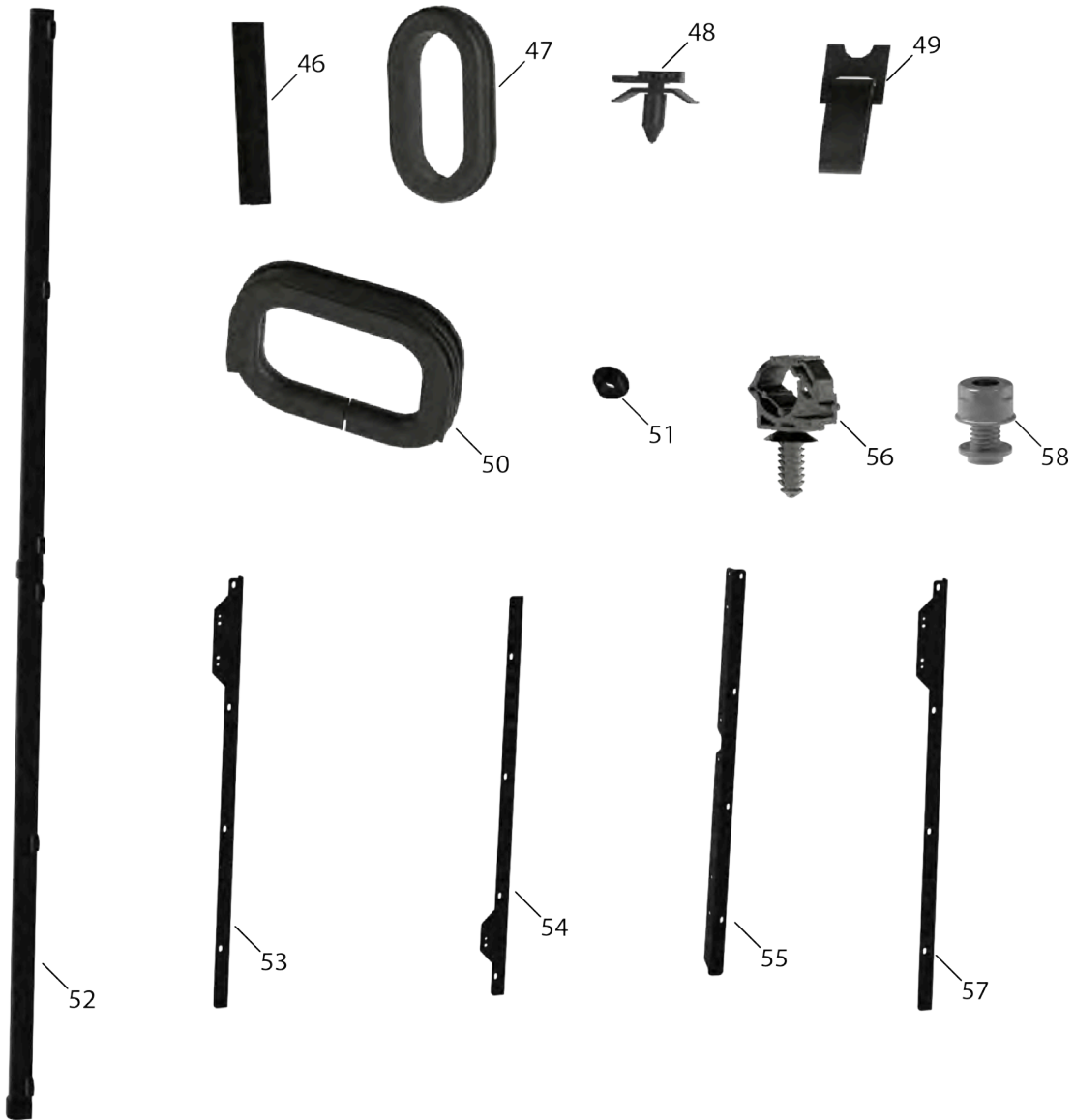
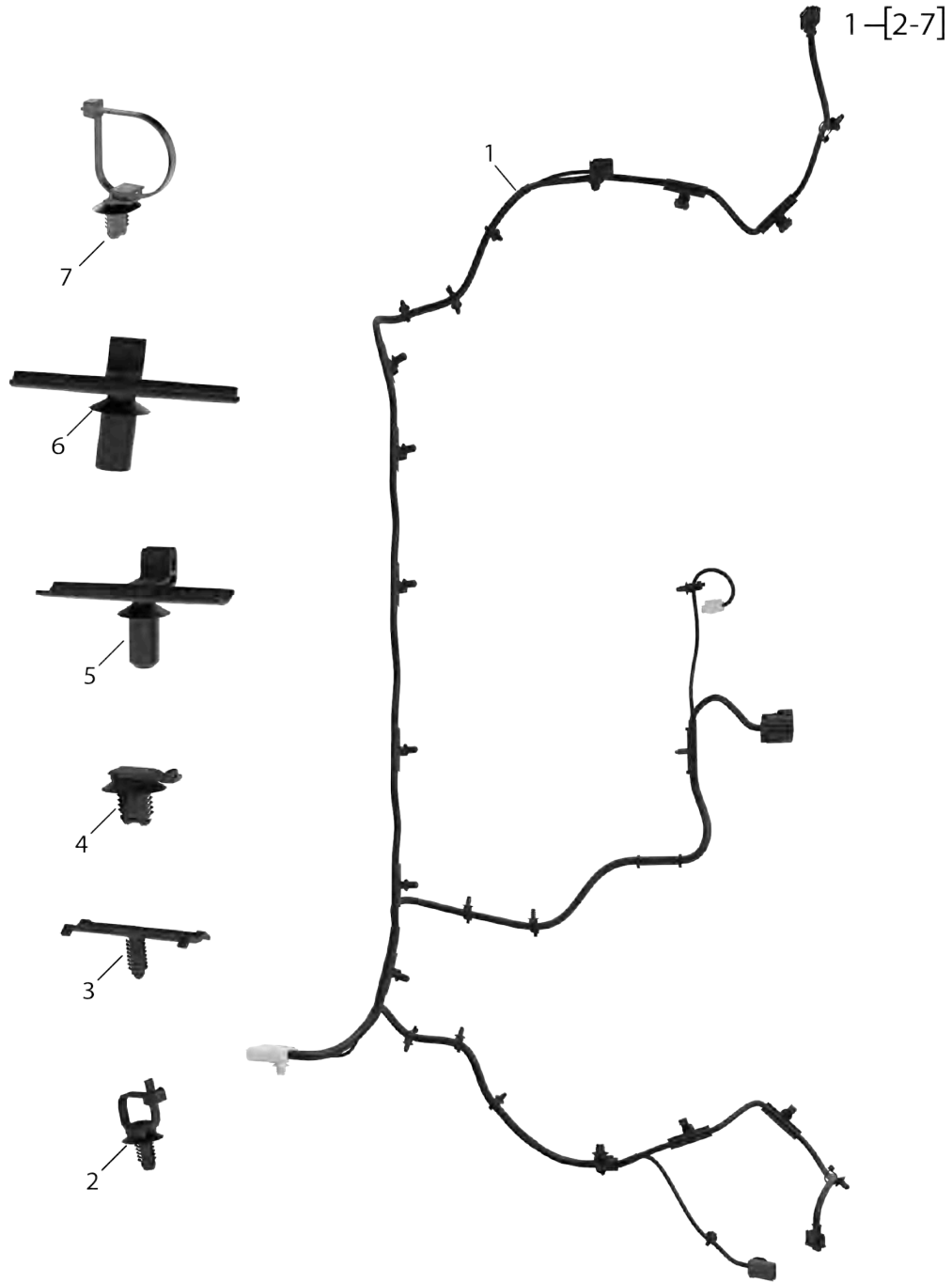
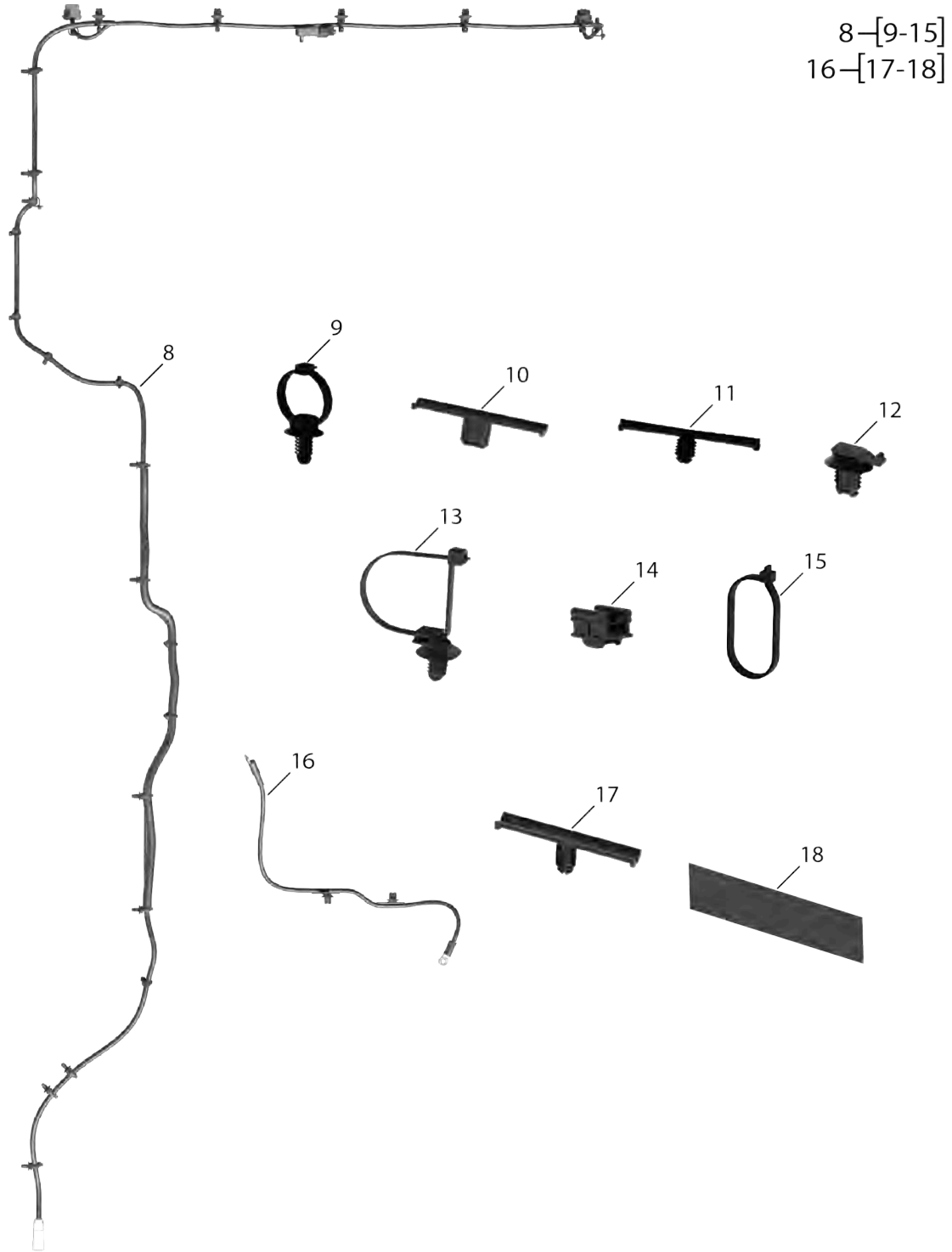


Table 172. WIRING,CARGO BODY,NGDV

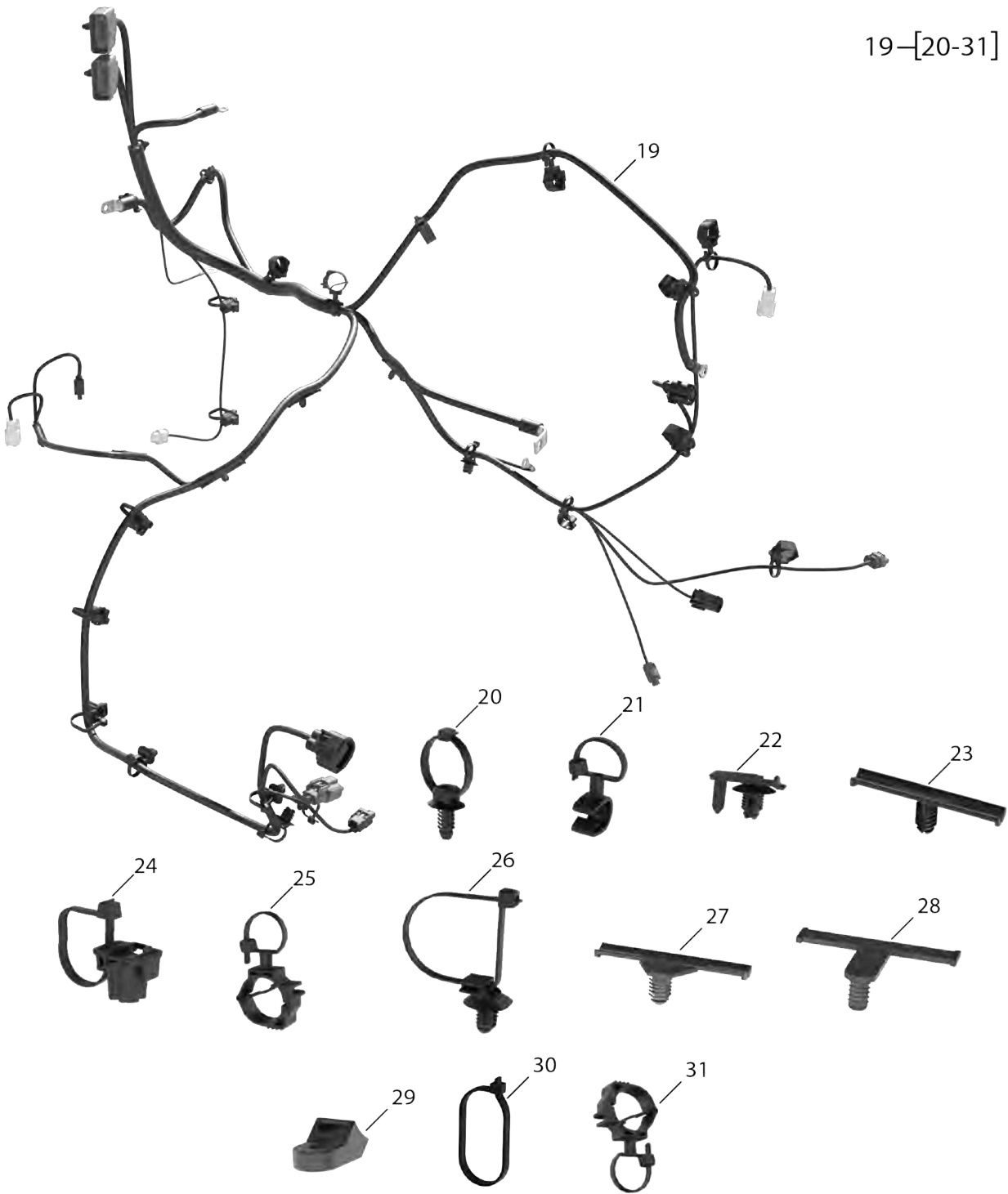
Item Number	Part Number	Description	Quantity	Primary Source
1	U526WA	WIRE HARN,BODY,REAR LIGHTING	1	Oshkosh Defense
2	U523ZA	STRAP,TIEDOWN, ELECTRICAL COMPONENTS	2	Oshkosh Defense
3	U132AA	STRAP,TIEDOWN, ELECTRICAL COMPONENTS	2	Oshkosh Defense
4	U420NA	TIE,CABLE ELECTRICAL COMPONENTS,11.41X.184	2	Oshkosh Defense
5	U5243A	TIE,CABLE 7.3X.19 CONN MTG NY	6	Oshkosh Defense
6	U526XA	MOUNT,EDGE,TAPE-ON	8	Oshkosh Defense
7	U5246A	CONN ACC,AT-ATM CONN MNT	1	Oshkosh Defense
8	U526YA	GROM,RND,APT 11.8-40.0 ID	1	Oshkosh Defense
9	U526ZA	WIRE HARN,BODY, TAIL,JMPR	2	Oshkosh Defense
10	U5270A	CONN MTG CLIP, APTI	1	Oshkosh Defense
11	U526XA	MOUNT,EDGE,TAPE-ON	7	Oshkosh Defense
12	U5271A	WIRE HARN,CARGO,LH	1	Oshkosh Defense
13	U2763A	MOUNTING BASE,TIE TIEDOWN,ELECTRICAL	7	Oshkosh Defense
14	U2705A	MOUNT,M6 STUD,CABLE TIE	1	Oshkosh Defense
15	U522DA	CABLE TIE 200X4.6 FT NY	3	Oshkosh Defense
16	U420NA	TIE,CABLE ELECTRICAL COMPONENTS,11.41X.184	2	Oshkosh Defense
17	U5246A	CONN ACC,AT-ATM CONN MNT	1	Oshkosh Defense
18	U5272A	CONN ACC,CURT, TOWING 4,DUSTCAP	1	Oshkosh Defense
19	U523UA	STRAP,LOOP,VELCRO	1	Oshkosh Defense
20	U524SA	MOUNT,FIR TREE, TAPE-ON	10	Oshkosh Defense
21	U524BA	MOUNT,FIR TREE, TAPE-ON	1	Oshkosh Defense
22	U5242A	MOUNT,FIR TREE,TAPE	6	Oshkosh Defense
23	U5251A	CLIP,DT RECEPT	1	Oshkosh Defense
24	U5273A	WIRE HARN,CARGO,RH	1	Oshkosh Defense
25	U2763A	MOUNTING BASE,TIE TIEDOWN,ELECTRICAL	7	Oshkosh Defense
26	U2705A	MOUNT,M6 STUD,CABLE TIE	1	Oshkosh Defense
27	U420NA	TIE,CABLE ELECTRICAL COMPONENTS,11.41X.184	3	Oshkosh Defense
28	U5274A	STRAP,TIEDOWN, ELECTRICAL COMPONENTS	2	Oshkosh Defense
29	U524BA	MOUNT,FIR TREE, TAPE-ON	1	Oshkosh Defense
30	U1407A	MOUNT,FIR TREE, TAPE-ON	6	Oshkosh Defense
31	U524SA	MOUNT,FIR TREE, TAPE-ON	9	Oshkosh Defense
32	U5244A	TEST CONNECTOR, ELECTRICAL	1	Oshkosh Defense
33	U522DA	CABLE TIE 200X4.6 FT NY	2	Oshkosh Defense
34	U5251A	CLIP,DT RECEPT	1	Oshkosh Defense
35	U5243A	TIE,CABLE 7.3X.19 CONN MTG NY	3	Oshkosh Defense
36	U5246A	CONN ACC,AT-ATM CONN MNT	1	Oshkosh Defense
37	U5275A	WIRE HARN,CARGO, MAIN	1	Oshkosh Defense
38	U2763A	MOUNTING BASE,TIE TIEDOWN,ELECTRICAL	1	Oshkosh Defense
39	U5276A	CABLE TIE 224X4.7 M	6	Oshkosh Defense
40	U523ZA	STRAP,TIEDOWN, ELECTRICAL COMPONENTS	1	Oshkosh Defense
41	U132AA	STRAP,TIEDOWN, ELECTRICAL COMPONENTS	2	Oshkosh Defense
42	U5277A	WIRE,TIE	1	Oshkosh Defense
43	U524SA	MOUNT,FIR TREE, TAPE-ON	6	Oshkosh Defense
44	U1407A	MOUNT,FIR TREE, TAPE-ON	5	Oshkosh Defense
45	U522DA	CABLE TIE 200X4.6 FT NY	1	Oshkosh Defense
46	U526TA	BEZEL,AUTOMOTIVE TRIM,0.032X0.125	2	Oshkosh Defense
47	U526UA	GROMMET,NONMETALLIC	2	Oshkosh Defense
48	U524ZA	BRKT,CONN ASSY,PAC MTG CLIP	1	Oshkosh Defense
49	U523UA	STRAP,LOOP,VELCRO	11	Oshkosh Defense
50	U5278A	MOLDING,METAL .39X.52	2	Oshkosh Defense
51	U421SA	NUT,FLG M6-1.0 C10 MG	12	Oshkosh Defense
52	U526VA	BRKT,WIRE CHASE,B-P	2	Oshkosh Defense
53	U527BA	BRKT,WIRE GUARD,CAR	1	Oshkosh Defense
54	U527AA	BRKT,WIRE GUARD,CAR	1	Oshkosh Defense
55	U5279A	BRKT,WIRE GUARD,CAR	1	Oshkosh Defense
56	U3407A	CLIP,LOCKING-OMEGA 5-9MM NY	2	Oshkosh Defense
57	U527CA	BRKT,WIRE GUARD,CAR	1	Oshkosh Defense
58	U5222A	STUD,GND M8-1.25X13 C8.8 ST	5	Oshkosh Defense



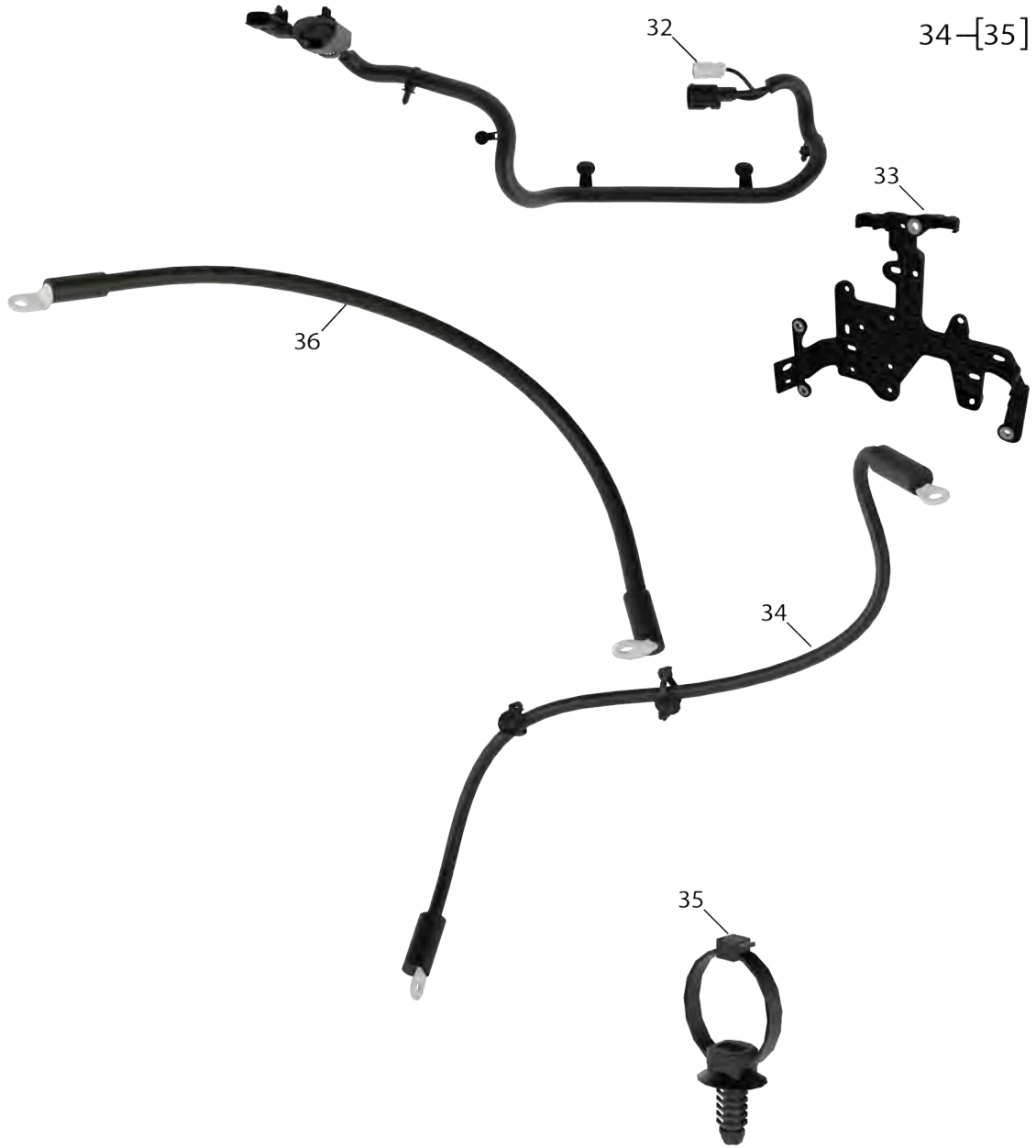
WIRING, CHASSIS, NGDV, ICE, AWD

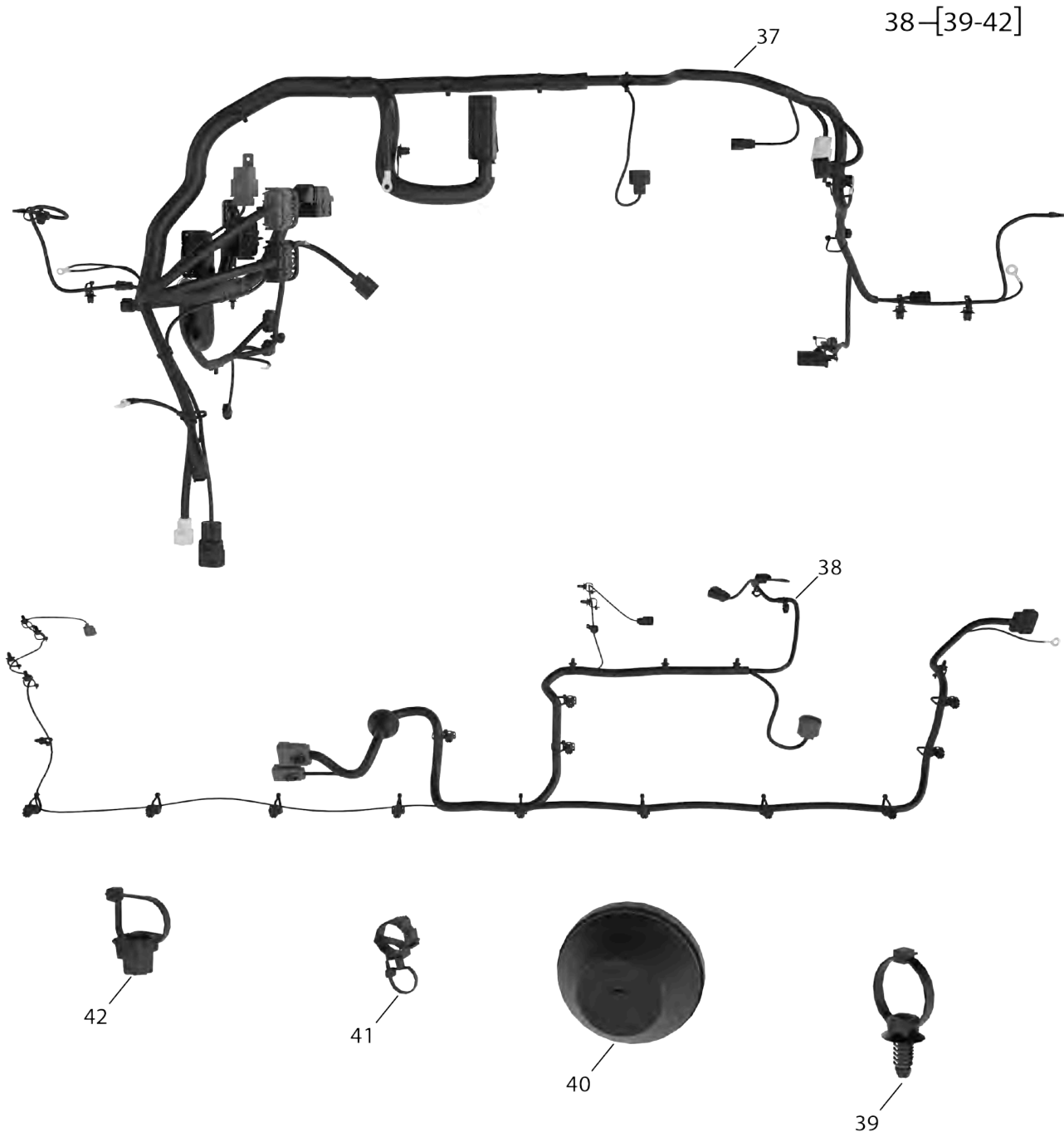


19-[20-31]

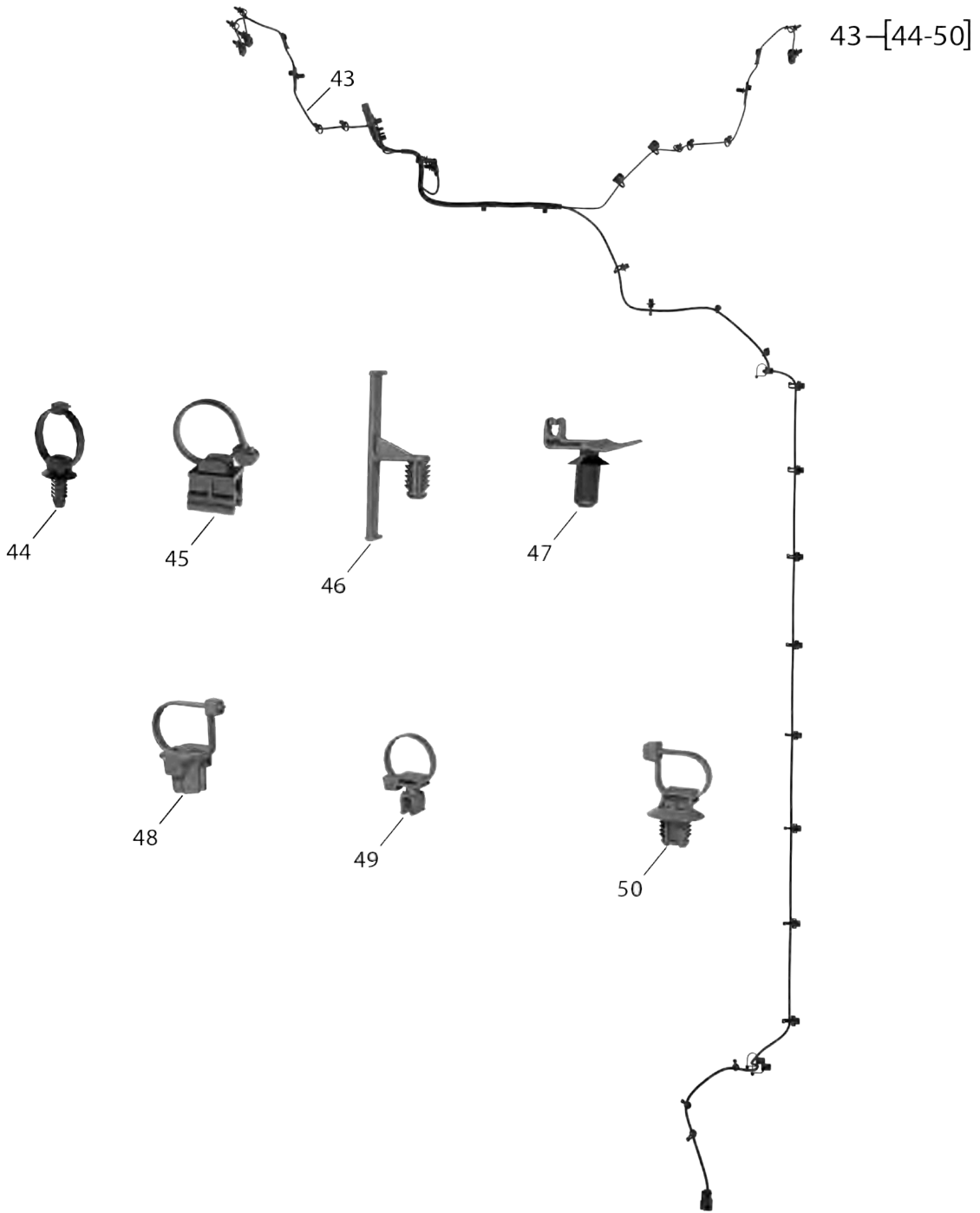


WIRING, CHASSIS, NGDV, ICE, AWD



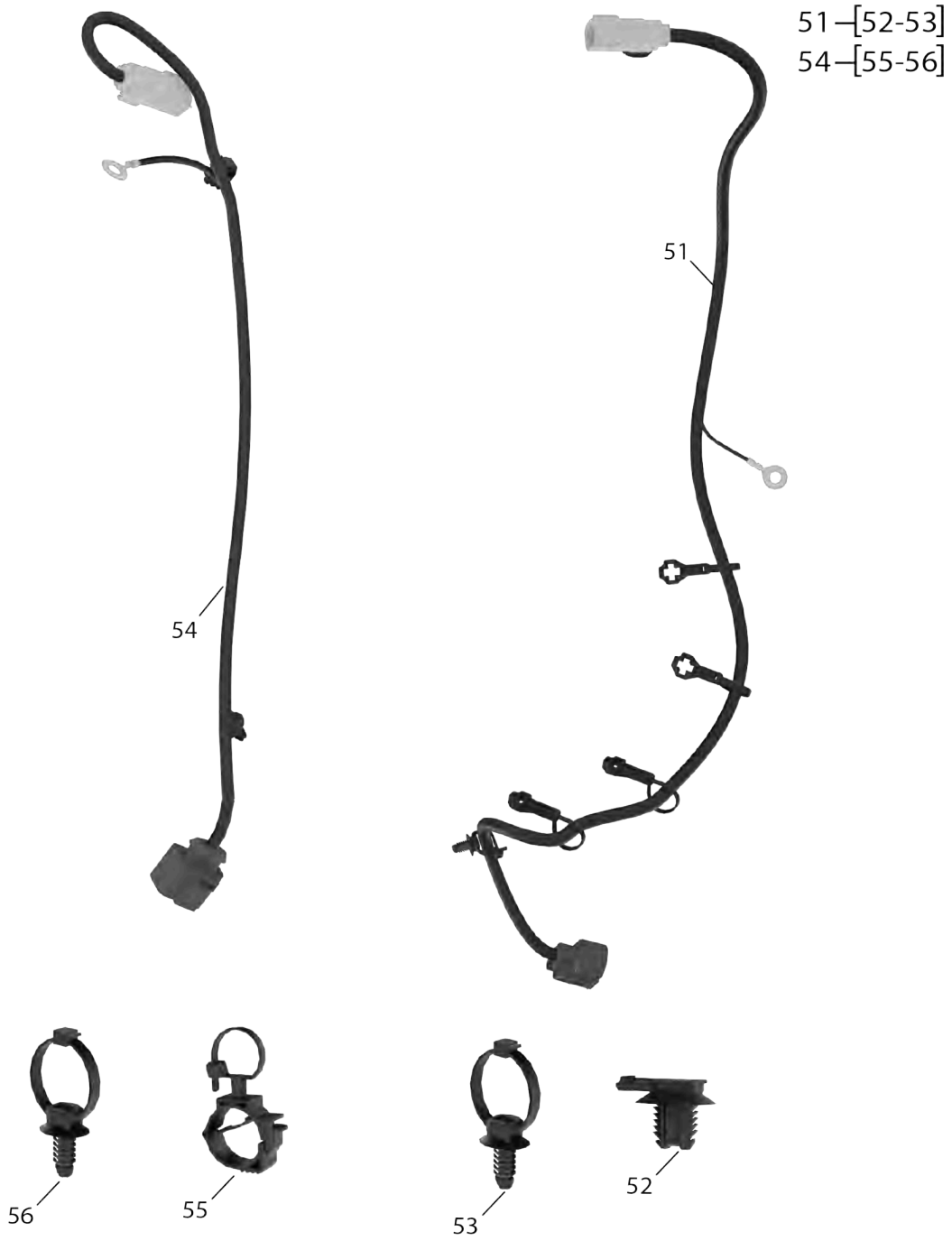


WIRING, CHASSIS, NGDV, ICE, AWD

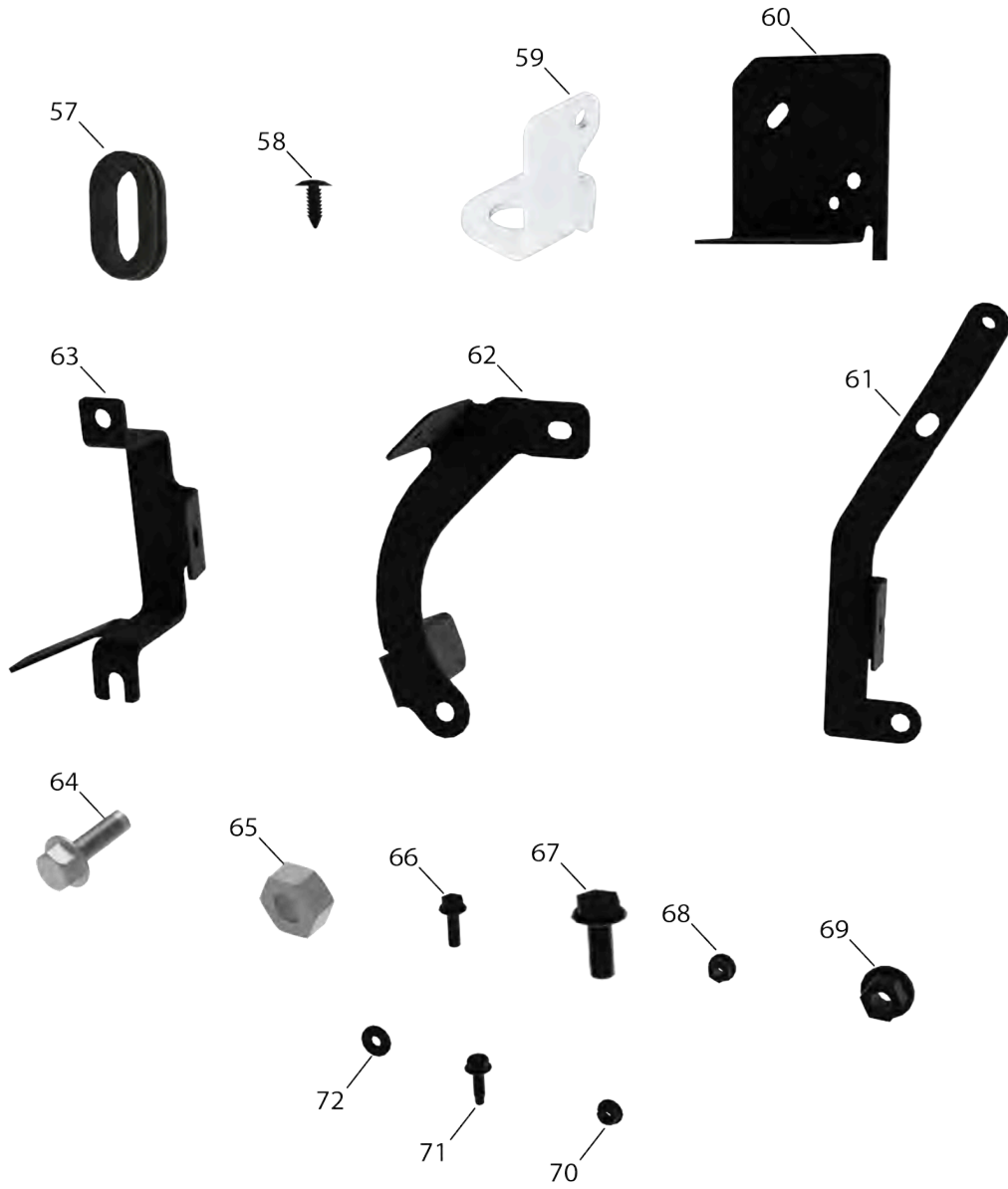


WIRING

WIRING, CHASSIS, NGDV, ICE, AWD



WIRING, CHASSIS, NGDV, ICE, AWD



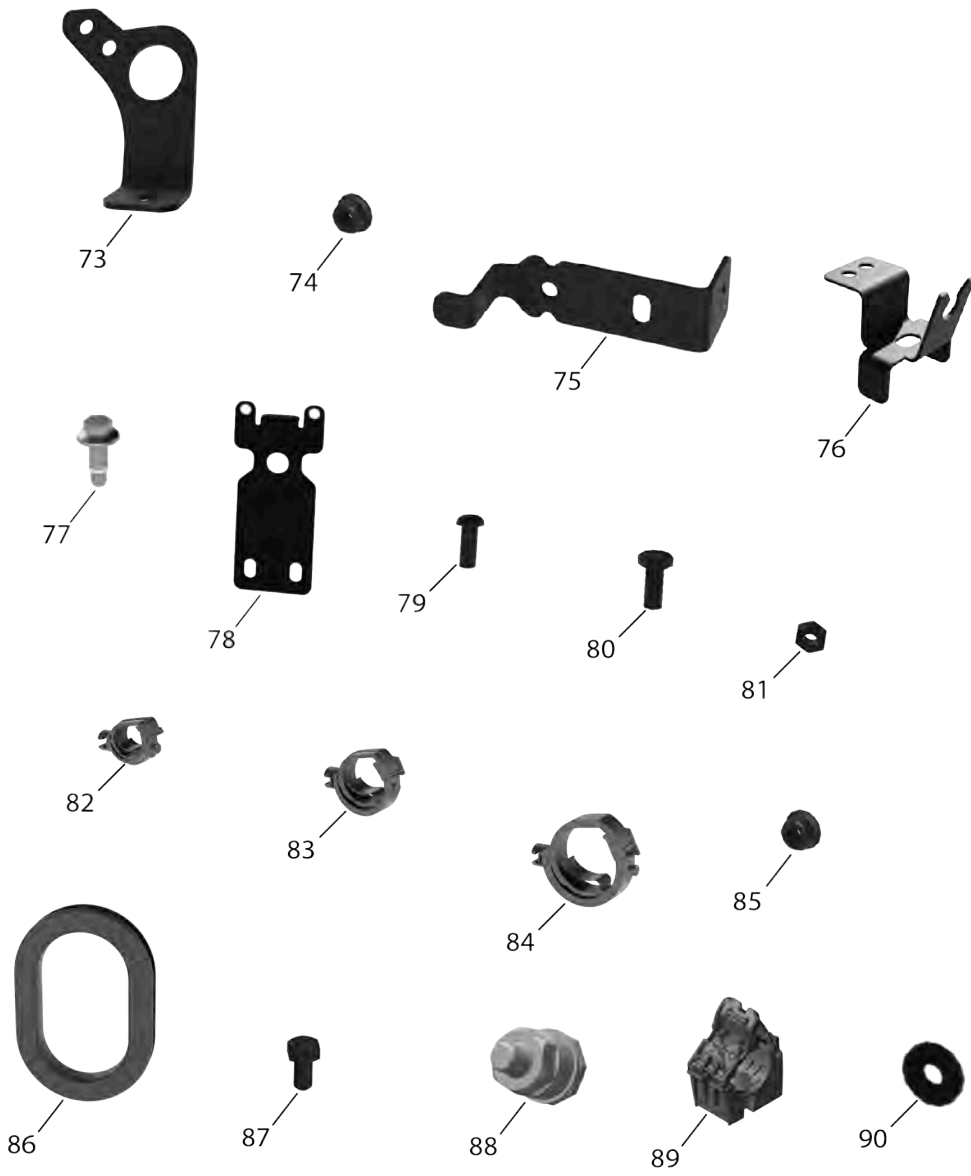


Table 173. WIRING,CHASSIS,NGDV,ICE,AWD

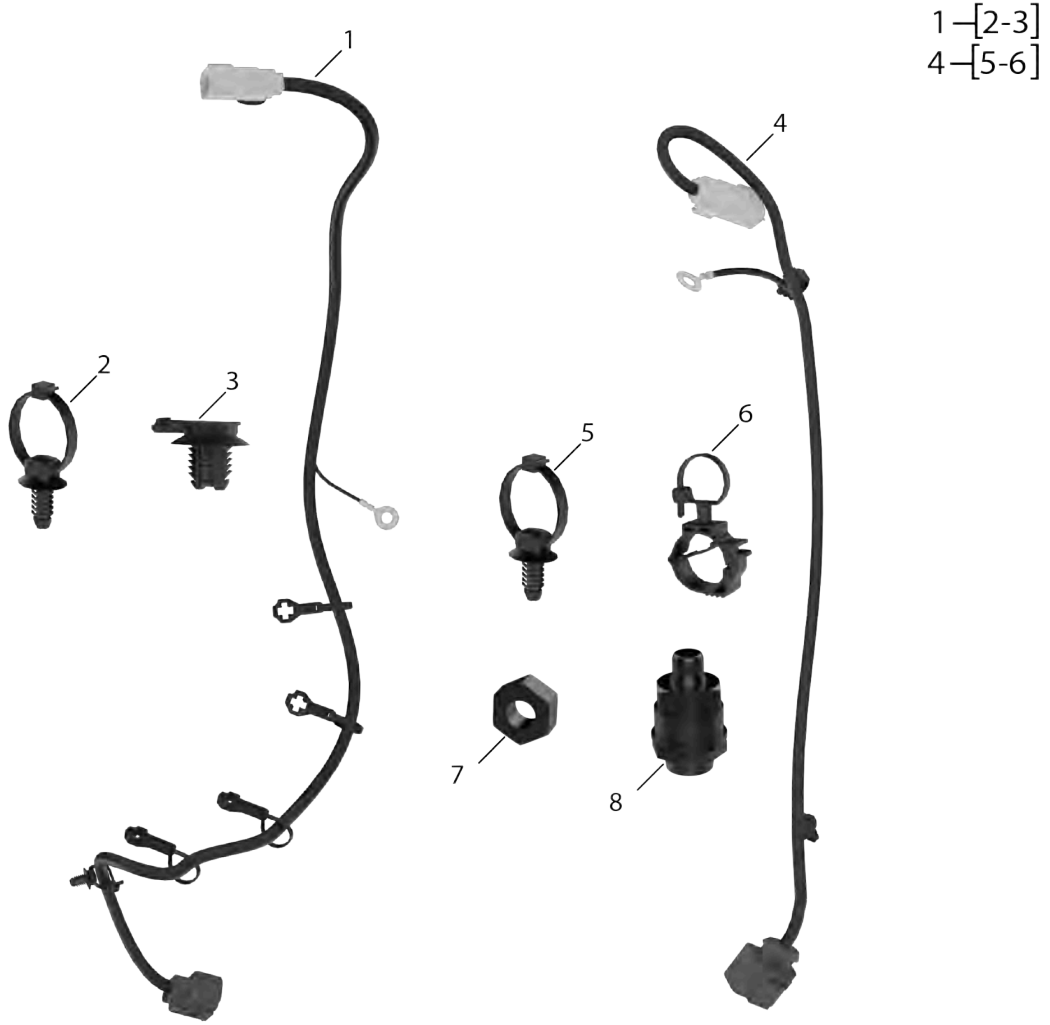
Item Number	Part Number	Description	Quantity	Primary Source
1	U526JA	WIRE HARN,CHAS,AWD AXLE	1	Oshkosh Defense
2	U2763A	MOUNTING BASE,TIE TIEDOWN,ELECTRICAL	12	Oshkosh Defense
3	U522BA	MOUNT,FIR TREE, TAPE-ON	2	Oshkosh Defense
4	U1406A	PUSHPIN,BRB,CONN MTG	3	Oshkosh Defense
5	U525PA	CLIP,SPL,8.0MM AND ELEC	6	Oshkosh Defense
6	U526KA	CLIP,SPL	4	Oshkosh Defense
7	U522DA	CABLE TIE 200X4.6 FT NY	2	Oshkosh Defense
8	U526LA	WIRE HARN,CHAS, REAR,NXA	1	Oshkosh Defense
9	U2763A	MOUNTING BASE,TIE TIEDOWN,ELECTRICAL	11	Oshkosh Defense
10	U5242A	MOUNT,FIR TREE,TAPE TAPE-ON	5	Oshkosh Defense
11	U522BA	MOUNT,FIR TREE, TAPE-ON	7	Oshkosh Defense
12	U1406A	PUSHPIN,BRB,CONN MTG	1	Oshkosh Defense
13	U522DA	CABLE TIE 200X4.6 FT NY	2	Oshkosh Defense
14	U5246A	CONN ACC,AT-ATM CONN MNT	1	Oshkosh Defense
16	U526QA	CABLE ASSY 4GA 28.4	1	Oshkosh Defense
17	U526RA	MOUNT,OFFSET FIR TR	2	Oshkosh Defense
18	U526SA	DATUM TAPE REFERENC	1	Oshkosh Defense
19	U526MA	WIRE HARN,ENG, DRIVE,ACC,NIA	1	Oshkosh Defense
20	U2763A	MOUNTING BASE,TIE TIEDOWN,ELECTRICAL	6	Oshkosh Defense
21	U4402A	CABLE TIE 210.4X4.70 MOC NY	1	Oshkosh Defense
22	U524TA	PUSHPIN,BRB,CONN MTG	2	Oshkosh Defense
23	U1407A	MOUNT,FIR TREE, TAPE-ON	4	Oshkosh Defense
24	U2705A	MOUNT,M6 STUD,CABLE TIE	3	Oshkosh Defense
25	U5260A	MOUNT,CLAMP,25MM	1	Oshkosh Defense
26	U522DA	CABLE TIE 200X4.6 FT NY	3	Oshkosh Defense
27	U5261A	MOUNT,FIR TREE, TAPE-ON	2	Oshkosh Defense
28	U524SA	MOUNT,FIR TREE, TAPE-ON	1	Oshkosh Defense
29	U526NA	MOUNTING BASE, TIEDOWN,ELECTRICAL	1	Oshkosh Defense
30	U420NA	TIE,CABLE ELECTRICAL COMPONENTS,11.41X.184	1	Oshkosh Defense
31	U526PA	CLIP,LOCKING-OMEGA	1	Oshkosh Defense
32	U5265A	WIRE HARN,CHAS,EPAS	1	Oshkosh Defense
33	U5266A	BRKT,STDF,XMSN GND INSTL	1	Oshkosh Defense
34	U525WA	CABLE ASSY 4GA 25.0	1	Oshkosh Defense
35	U2763A	MOUNTING BASE,TIE TIEDOWN,ELECTRICAL	2	Oshkosh Defense
36	U525YA	CABLE ASSY 2GA 22.2	1	Oshkosh Defense
37	U525QA	WIRE HARN,CHAS,ENG BAY,NIX	1	Oshkosh Defense
38	U525TA	WIRE HARN,CHAS, ROADSIDE	1	Oshkosh Defense
39	U2763A	MOUNTING BASE,TIE TIEDOWN,ELECTRICAL	10	Oshkosh Defense
40	U525VA	GROM,RND 30.5X48.0X	1	Oshkosh Defense
41	U525UA	MOUNT,WIRE TIE,LOC	2	Oshkosh Defense
42	U2705A	MOUNT,M6 STUD,CABLE TIE	13	Oshkosh Defense
43	U5267A	WIRE HARN,CHAS,MAIN	1	Oshkosh Defense
44	U2763A	MOUNTING BASE,TIE TIEDOWN,ELECTRICAL	8	Oshkosh Defense
45	U5245A	STRAP,TIEDOWN, ELECTRICAL COMPONENTS	2	Oshkosh Defense
46	U522CA	MOUNT,FIR TREE, TAPE-ON	2	Oshkosh Defense
47	U525PA	CLIP,SPL,8.0MM AND ELEC	2	Oshkosh Defense
48	U522DA	CABLE TIE 200X4.6 FT NY	2	Oshkosh Defense
49	U5268A	CABLE TIE 200X4.6 OMEGA NY	9	Oshkosh Defense
50	U2705A	MOUNT,M6 STUD,CABLE TIE	5	Oshkosh Defense
51	U5263A	WIRE HARN,CHAS, WIPER JMPR	1	Oshkosh Defense
52	U1406A	PUSHPIN,BRB,CONN MTG	1	Oshkosh Defense
53	U2763A	MOUNTING BASE,TIE TIEDOWN,ELECTRICAL	5	Oshkosh Defense
54	U5262A	WIRE HARN,CHAS,WIPE	1	Oshkosh Defense
55	U525UA	MOUNT,WIRE TIE,LOC	1	Oshkosh Defense
56	U2763A	MOUNTING BASE,TIE TIEDOWN,ELECTRICAL	1	Oshkosh Defense
57	U5232A	GROMMET,NONMETALLIC	2	Oshkosh Defense
58	U0247A	PUSHPIN,BRB .31X.79X.874 NY	2	Oshkosh Defense
59	U525GA	BRKT,STDF,EPAS	1	Oshkosh Defense

WIRING

Table 173. WIRING,CHASSIS,NGDV,ICE,AWD (continued)

Item Number	Part Number	Description	Quantity	Primary Source
60	U526CA	BRKT,SUBFRAME,EPAS	1	Oshkosh Defense
61	U525KA	BRKT,STDF,WIRING SU	1	Oshkosh Defense
62	U525JA	BRKT,STDF,WIRING SU	1	Oshkosh Defense
63	U525HA	BRKT,STDF,ELEC SUPPORT	1	Oshkosh Defense
64	U0104A	SCR,FLG,HEX M6-1.0X20 C10.9 MB	1	Oshkosh Defense
65	U5228A	NUT,PLAIN,HEXAGON M8-1.25 C10	2	Oshkosh Defense
66	U131KA	SCREW,CAP,HEXAGON HEAD,M6-1.0X20 C10.9 MB	1	Oshkosh Defense
67	U525RA	SCREW,CAP,HEXAGON HEAD,M12-1.75X30 C10.9 MB	2	Oshkosh Defense
68	U132EA	NUT,SELF-LOCKING, EXTENDED WASHER,HEXAGON, M6-1.0 C10 MB	1	Oshkosh Defense
69	U1613A	NUT,SELF-LOCKING, HEXAGON,M12-1.75 C10 MB	2	Oshkosh Defense
70	U525SA	NUT,HEX,WSH M6-1.25 ZN	1	Oshkosh Defense
71	U130PA	SCR,FLG,HEX,DGP M6X16 C8.8 MG	2	Oshkosh Defense
72	U4230A	WASHER,FLAT M6X18X1.6 MB	3	Oshkosh Defense
73	U526HA	BRKT,TCASE WIRING	1	Oshkosh Defense
74	U5237A	NUT,HEX,WSH M8-1.25 IS	1	Oshkosh Defense
75	U526AA	BRKT,STDF,CHAS INTERFACE	1	Oshkosh Defense
76	U526GA	BRKT,STDF,CTRL ARM,	2	Oshkosh Defense
77	U1300A	SCR,FLG,HEX,DGP M8X25 C8.8 MG	1	Oshkosh Defense
78	U5264A	BRKT,STDF,WHEEL SEN	2	Oshkosh Defense
79	U0250A	SCREW,CAP,SOCKET HEAD,M6-1.0X16 C10.9 MB	1	Oshkosh Defense
80	U5269A	SCR,CAP,HEX M6-1.0X16 C10.9 ZN	1	Oshkosh Defense
81	U5227A	NUT,PLAIN,HEXAGON M6-1.0 C10 ZN	1	Oshkosh Defense
82	U52A0A	CLIP,LOCK-OMEGA 3-13MM NY	3	Oshkosh Defense
83	U529YA	CLIP,LOCK-OMEGA 11-20MM NY	8	Oshkosh Defense
84	U529ZA	CLIP,LOCK-OMEGA 19-28MM NY	1	Oshkosh Defense
85	U422UA	NUT,FLG,LK M6 C8.8	7	Oshkosh Defense
86	U526BA	BEZEL,AUTOMOTIVE TRIM,.250-500 THK	1	Oshkosh Defense
87	U5200A	SCR,FLG,HEX,DGP M6X20 C8.8 MG	5	Oshkosh Defense
88	U525AA	STUD,GND M8-1.25X26 DP AL	5	Oshkosh Defense
89	U526DA	CLIP,RATCHET, 0.75-1.42 B-O	1	Oshkosh Defense
90	U025YA	GSKT,RND 8.5X25.4X6.4 NBR	1	Oshkosh Defense

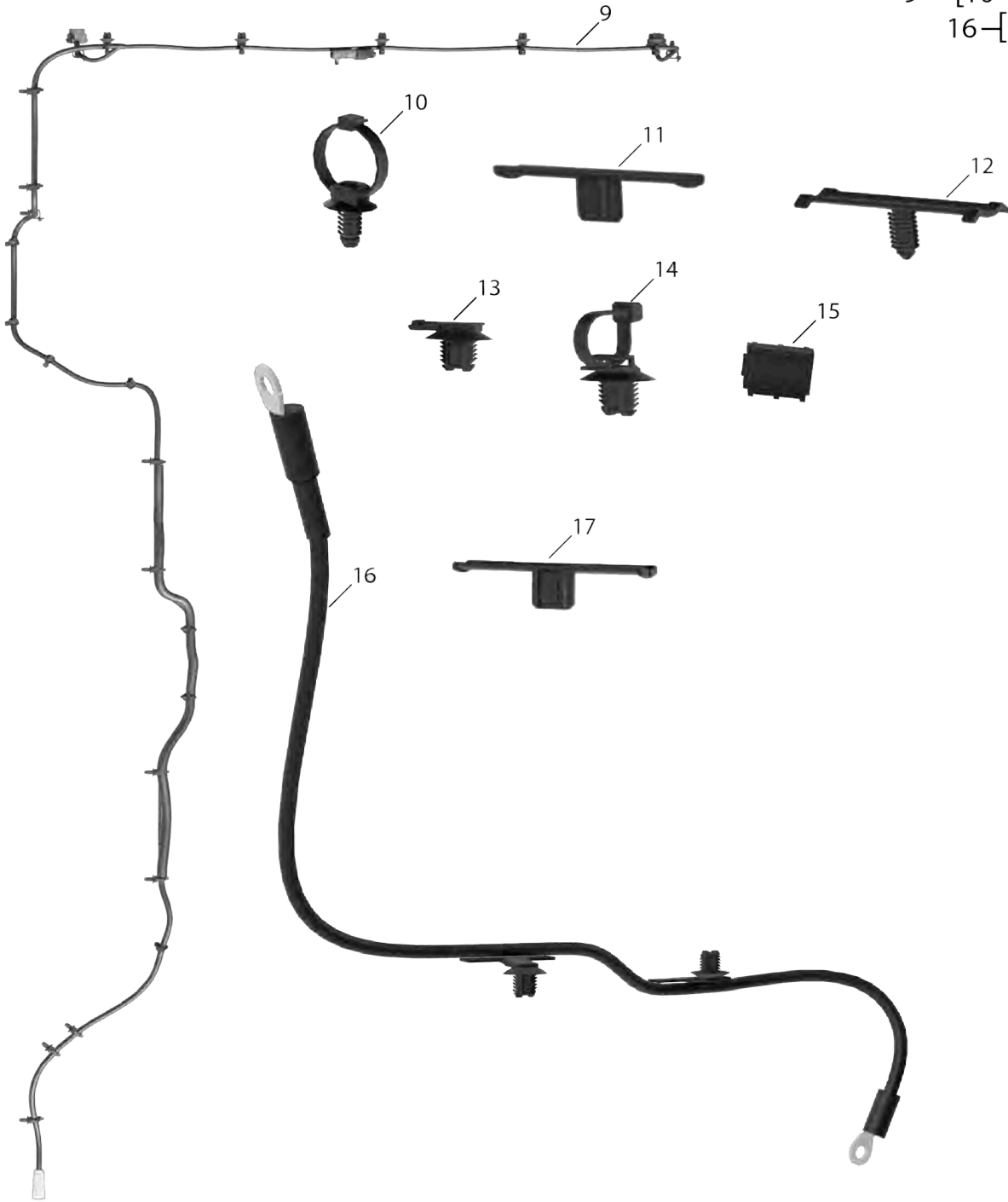
WIRING, CHASSIS, NGDV, BEV, AWD



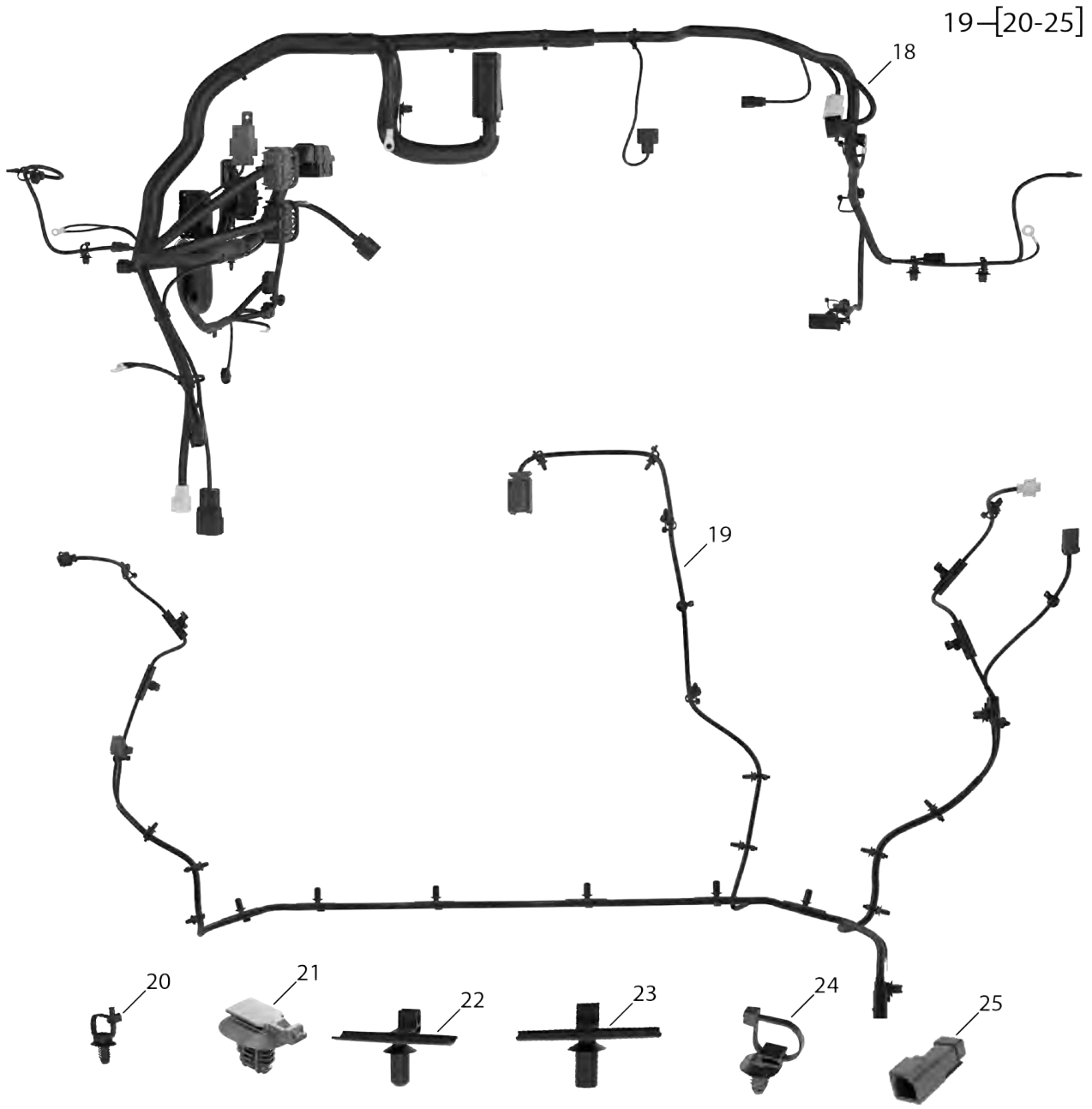
WIRING

WIRING, CHASSIS, NGDV, BEV, AWD

9 - [10-15]
16 - [17]

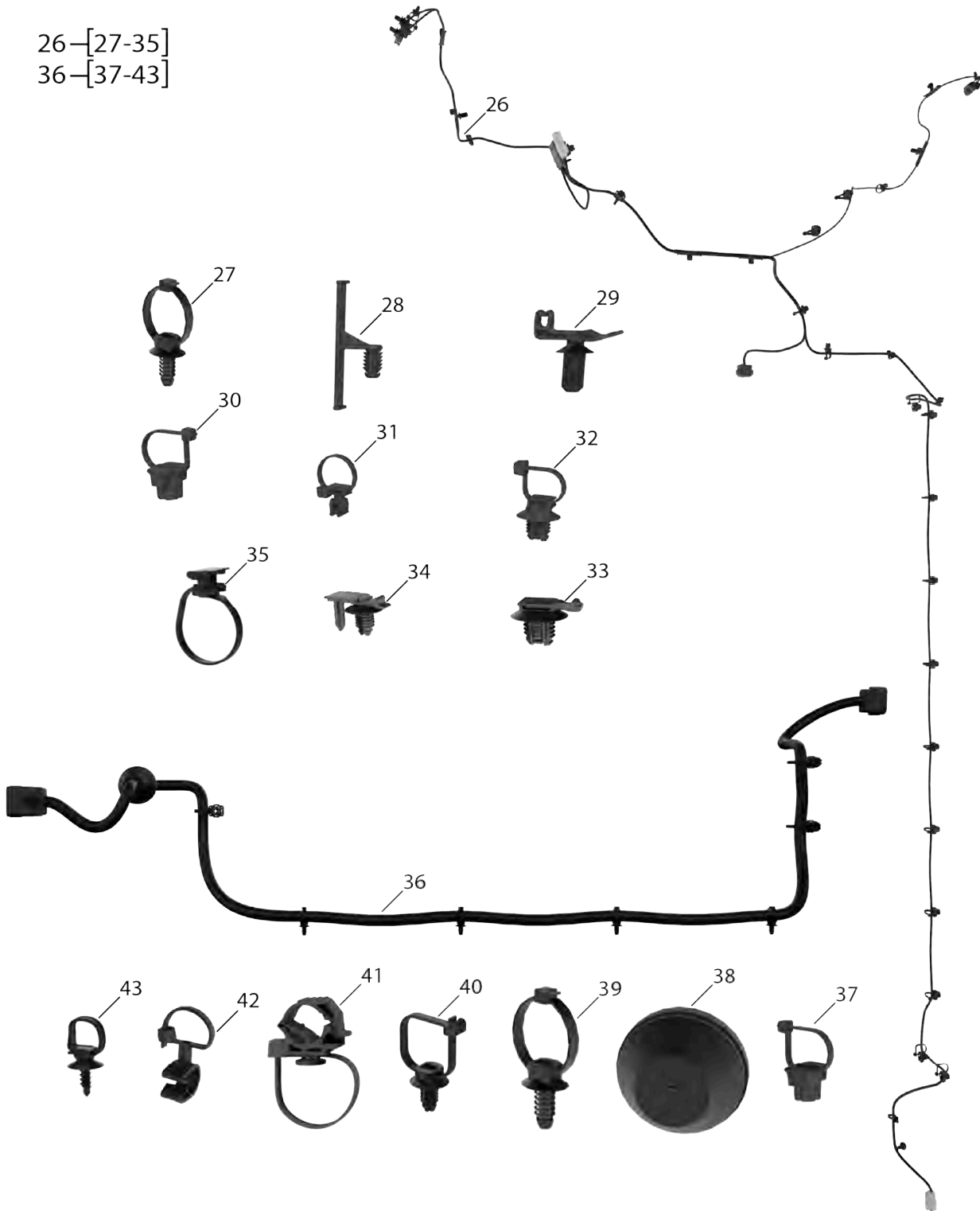


WIRING, CHASSIS, NGDV, BEV, AWD



WIRING, CHASSIS, NGDV, BEV, AWD

26-[27-35]
36-[37-43]



WIRING, CHASSIS, NGDV, BEV, AWD

66-[67]

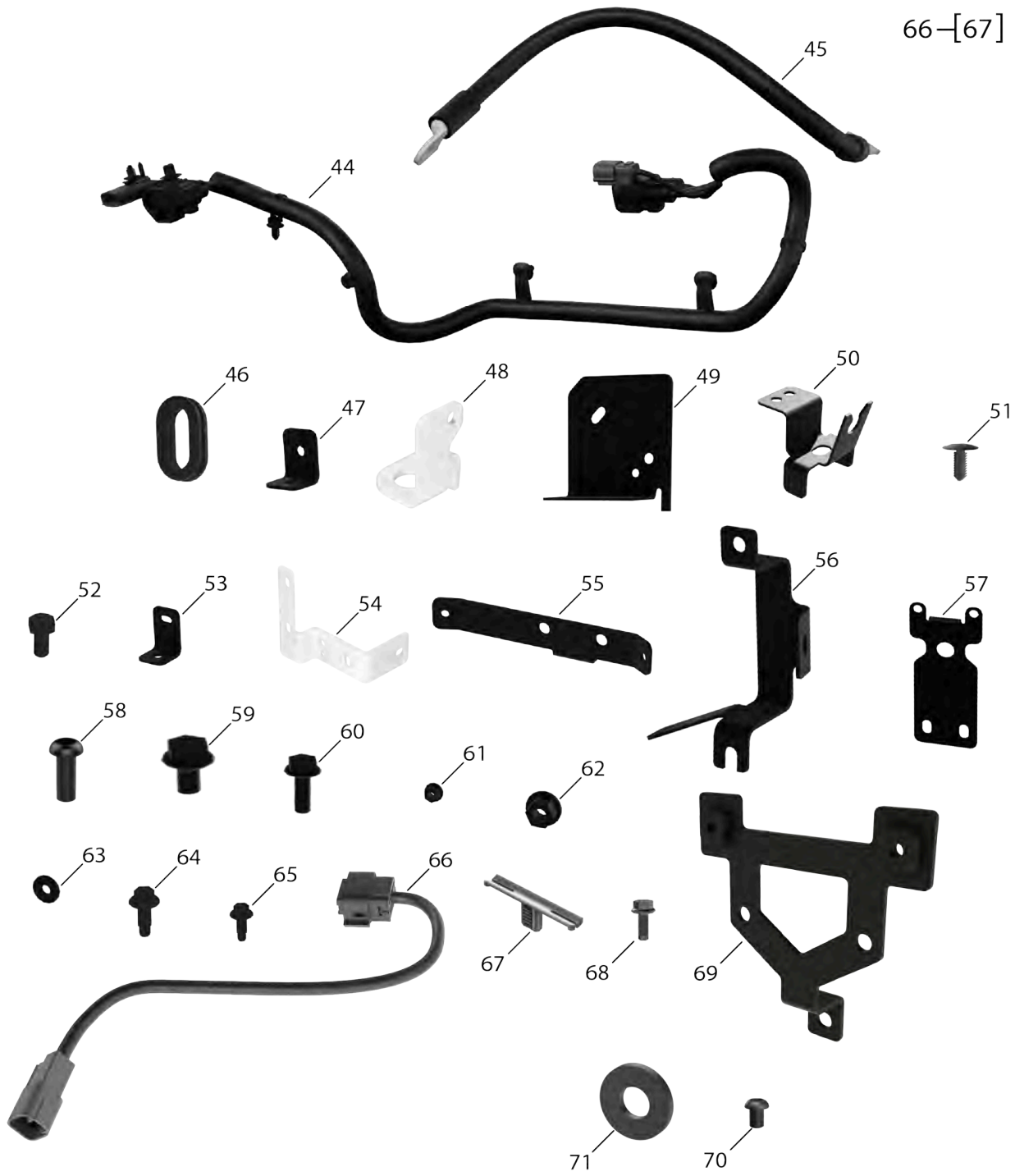


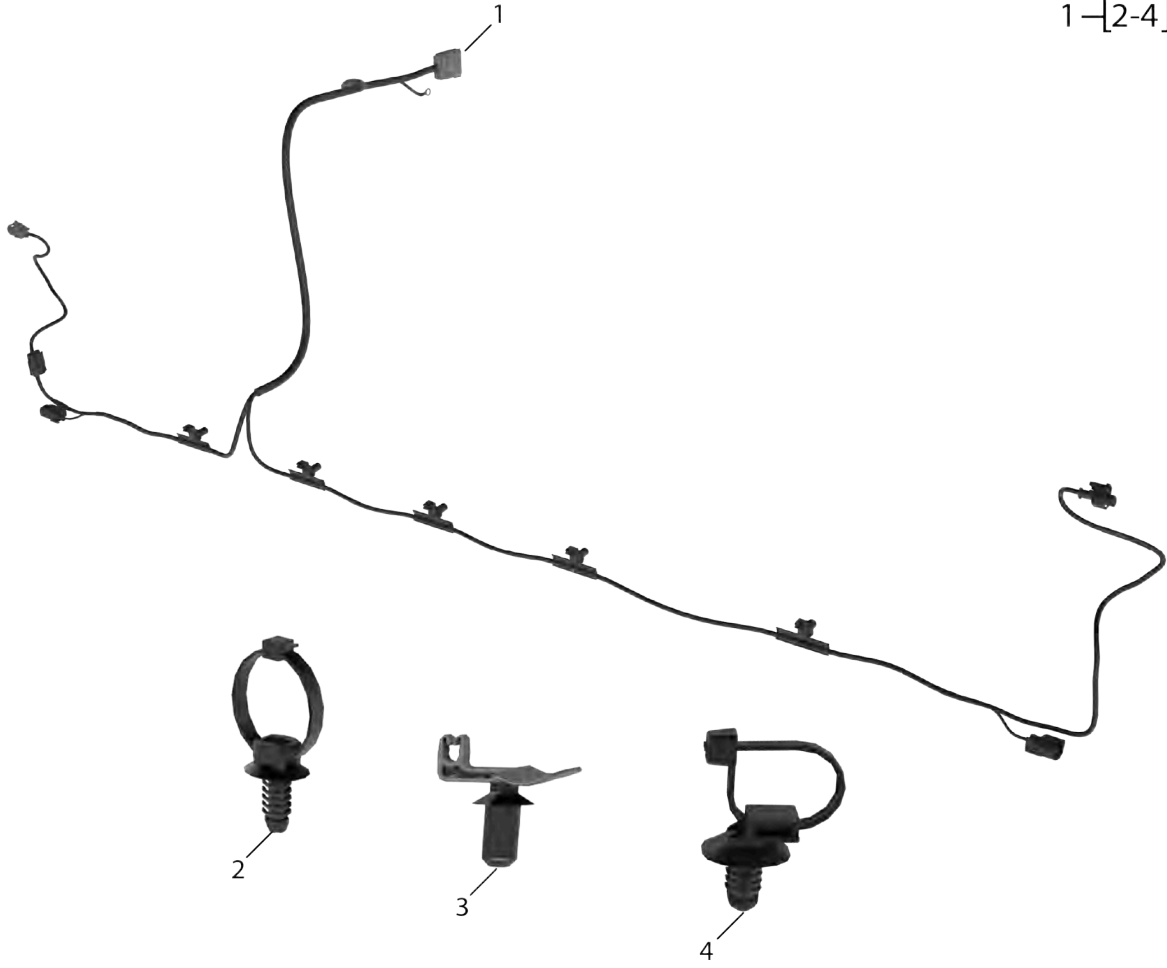
Table 174. WIRING,CHASSIS,NGDV,BEV,AWD

Item Number	Part Number	Description	Quantity	Primary Source
1	U5263A	WIRE HARN,CHAS, WIPER JMPR	1	Oshkosh Defense
2	U2763A	MOUNTING BASE,TIE TIEDOWN,ELECTRICAL	5	Oshkosh Defense
3	U1406A	PUSHPIN,BRB,CONN MTG	1	Oshkosh Defense
4	U5262A	WIRE HARN,CHAS,WIPE	1	Oshkosh Defense
5	U2763A	MOUNTING BASE,TIE TIEDOWN,ELECTRICAL	1	Oshkosh Defense
6	U525UA	MOUNT,WIRE TIE,LOC	1	Oshkosh Defense
7	U5228A	NUT,PLAIN,HEXAGON M8-1.25 C10	2	Oshkosh Defense
8	U525AA	STUD,GND M8-1.25X26 DP AL	7	Oshkosh Defense
9	U526LA	WIRE HARN,CHAS, REAR,NXA	1	Oshkosh Defense
10	U2763A	MOUNTING BASE,TIE TIEDOWN,ELECTRICAL	11	Oshkosh Defense
11	U5242A	MOUNT,FIR TREE,TAPE TAPE-ON	5	Oshkosh Defense
12	U522BA	MOUNT,FIR TREE, TAPE-ON	7	Oshkosh Defense
13	U1406A	PUSHPIN,BRB,CONN MTG	1	Oshkosh Defense
14	U522DA	CABLE TIE 200X4.6 FT NY	2	Oshkosh Defense
15	U5246A	CONN ACC,AT-ATM CONN MNT	1	Oshkosh Defense
16	U527SA	CABLE ASSY,4GA 27.2,RR,EDU,GND	1	Oshkosh Defense
17	U522AA	MOUNT,FIR TREE, TAPE-ON	2	Oshkosh Defense
18	U527EA	WIRE HARN,CHAS,ENG BAY,NBX	1	Oshkosh Defense
19	U527TA	WIRE HARN,EDU,REAR	1	Oshkosh Defense
20	U2763A	MOUNTING BASE,TIE TIEDOWN,ELECTRICAL	14	Oshkosh Defense
21	U1406A	PUSHPIN,BRB,CONN MTG	4	Oshkosh Defense
22	U525PA	CLIP,SPL,8.0MM AND ELEC	6	Oshkosh Defense
23	U526KA	CLIP,SPL	4	Oshkosh Defense
24	U522DA	CABLE TIE 200X4.6 FT NY	4	Oshkosh Defense
25	U522EA	CONNECTOR, RECEPTACLE,ELECTRICAL	1	Oshkosh Defense
26	U527LA	WIRE HARN,CHAS,MAIN	1	Oshkosh Defense
27	U2763A	MOUNTING BASE,TIE TIEDOWN,ELECTRICAL	9	Oshkosh Defense
28	U522CA	MOUNT,FIR TREE, TAPE-ON	2	Oshkosh Defense
29	U525PA	CLIP,SPL,8.0MM AND ELEC	2	Oshkosh Defense
30	U2705A	MOUNT,M6 STUD,CABLE TIE	16	Oshkosh Defense
31	U5268A	CABLE TIE 200X4.6 OMEGA NY	9	Oshkosh Defense
32	U522DA	CABLE TIE 200X4.6 FT NY	2	Oshkosh Defense
33	U1406A	PUSHPIN,BRB,CONN MTG	4	Oshkosh Defense
34	U524TA	PUSHPIN,BRB,CONN MTG	1	Oshkosh Defense
35	U524KA	TIE,CABLE 7.3X.19 CONN MTG NY	1	Oshkosh Defense
36	U527FA	WIRE HARN,CHAS, ROADSIDE,NBF	1	Oshkosh Defense
37	U2705A	MOUNT,M6 STUD,CABLE TIE	7	Oshkosh Defense
38	U525VA	GROM,RND 30.5X48.0X	1	Oshkosh Defense
39	U2763A	MOUNTING BASE,TIE TIEDOWN,ELECTRICAL	7	Oshkosh Defense
40	U527GA	MOUNTING BASE, TIEDOWN,ELECTRICAL	1	Oshkosh Defense
41	U527HA	CLIP,LOCKING-OMEGA 5-9MM NY	1	Oshkosh Defense
42	U527JA	CLIP,OMEGA 20-25MM NY	4	Oshkosh Defense
43	U527KA	CABLE TIE 203X5.1 FT NY	2	Oshkosh Defense
44	U5265A	WIRE HARN,CHAS,EPAS	1	Oshkosh Defense
45	U527MA	CABLE ASSY 2GA 15.4	1	Oshkosh Defense
46	U5232A	GROMMET,NONMETALLIC	2	Oshkosh Defense
47	U527RA	BRKT,STDF 38.1MM X	1	Oshkosh Defense
48	U525GA	BRKT,STDF,EPAS	1	Oshkosh Defense
49	U526CA	BRKT,SUBFRAME,EPAS	1	Oshkosh Defense
50	U526GA	BRKT,STDF,CTRL ARM,	2	Oshkosh Defense
51	U0247A	PUSHPIN,BRB .31X.79X.874 NY	2	Oshkosh Defense
52	U523JA	SCR,CAP,HEX M8-1.25X16 C10.9 ZN	1	Oshkosh Defense
53	U527UA	BRKT,STDF 38.1MM X	1	Oshkosh Defense
54	U526AA	BRKT,STDF,CHAS INTERFACE	1	Oshkosh Defense
55	U527VA	BRKT,HARN,EDU,RR	1	Oshkosh Defense
56	U525HA	BRKT,STDF,ELEC SUPPORT	1	Oshkosh Defense
57	U5264A	BRKT,STDF,WHEEL SEN	2	Oshkosh Defense
58	U0250A	SCREW,CAP,SOCKET HEAD,M6-1.0X16 C10.9 MB	1	Oshkosh Defense

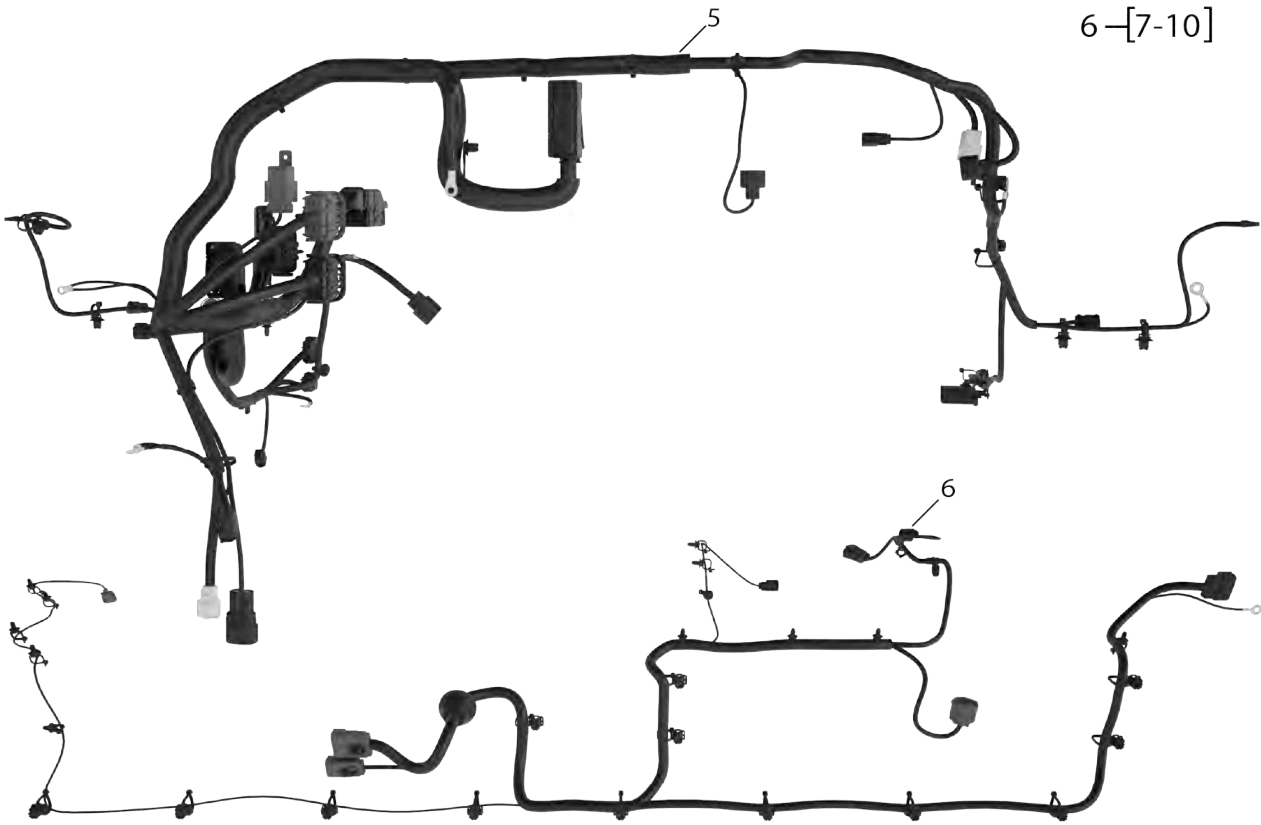
Table 174. WIRING,CHASSIS,NGDV,BEV,AWD (continued)

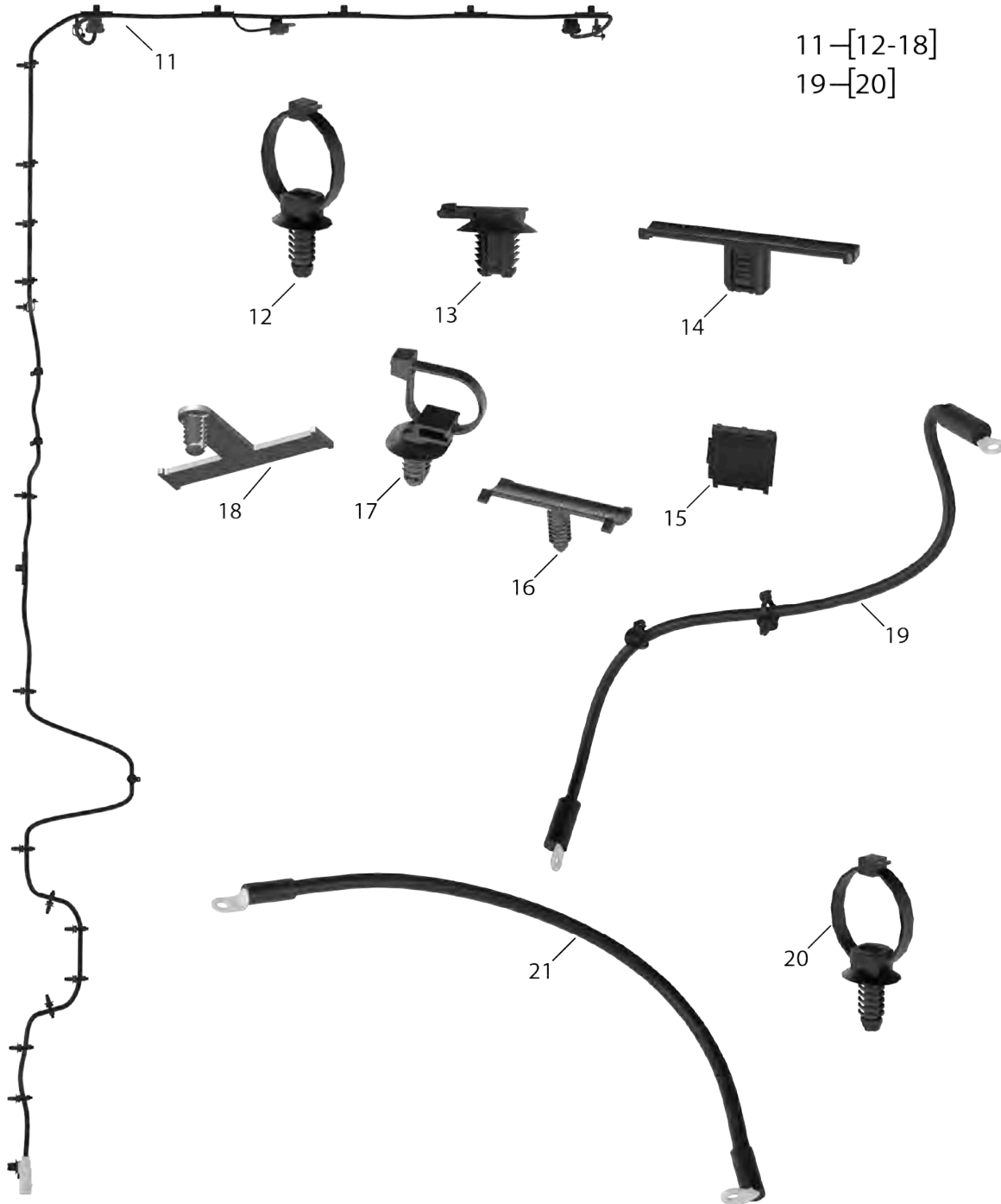
Item Number	Part Number	Description	Quantity	Primary Source
59	U010SA	SCREW,CAP,HEXAGON HEAD,M8-1.25X16 C10.9 MB	2	Oshkosh Defense
60	U525RA	SCREW,CAP,HEXAGON HEAD,M12-1.75X30 C10.9 MB	2	Oshkosh Defense
61	U132EA	NUT,SELF-LOCKING, EXTENDED WASHER,HEXAGON, M6-1.0 C10 MB	1	Oshkosh Defense
62	U1613A	NUT,SELF-LOCKING, HEXAGON,M12-1.75 C10 MB	2	Oshkosh Defense
63	U4230A	WASHER,FLAT M6X18X1.6 MB	2	Oshkosh Defense
64	U1501A	SCR,FLG,HEX,DGP M8X20 C8.8 MG	2	Oshkosh Defense
65	U1300A	SCR,FLG,HEX,DGP M8X25 C8.8 MG	1	Oshkosh Defense
66	U527PA	WIRE HARN,CHAS,AVAS JMPR	1	Oshkosh Defense
67	U522AA	MOUNT,FIR TREE, TAPE-ON	1	Oshkosh Defense
68	U5200A	SCR,FLG,HEX,DGP M6X20 C8.8 MG	5	Oshkosh Defense
69	U527QA	BRKT,STDF,FUSE HOLDER,WLDMT	1	Oshkosh Defense
70	U527NA	SCREW,CAP,SOCKET HEAD,M5-0.8X10 C10.9 MB	4	Oshkosh Defense
71	U025YA	GSKT,RND 8.5X25.4X6.4 NBR	1	Oshkosh Defense

1-[2-4]



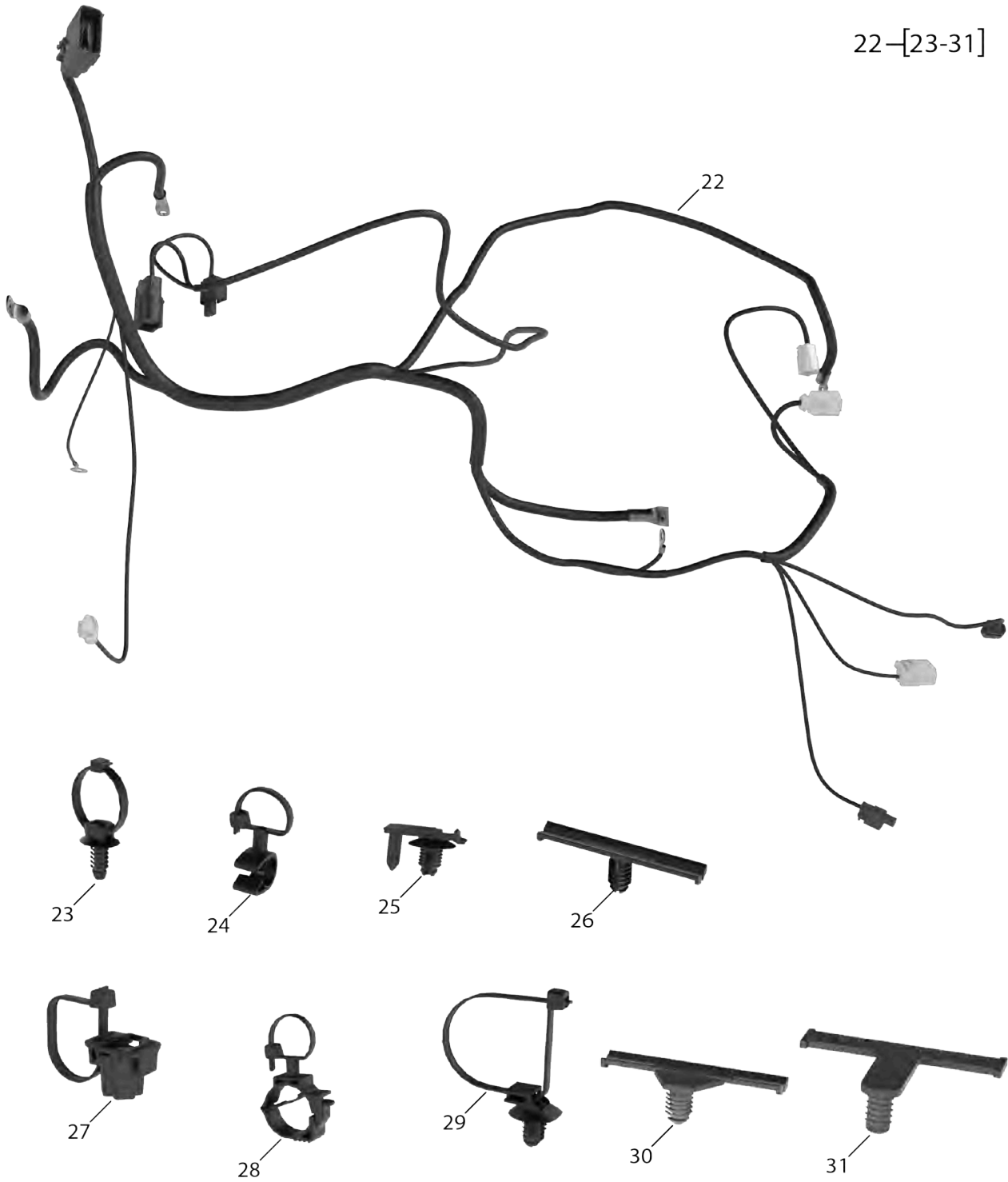
WIRING, CHASSIS, NGDV, ICE, FWD





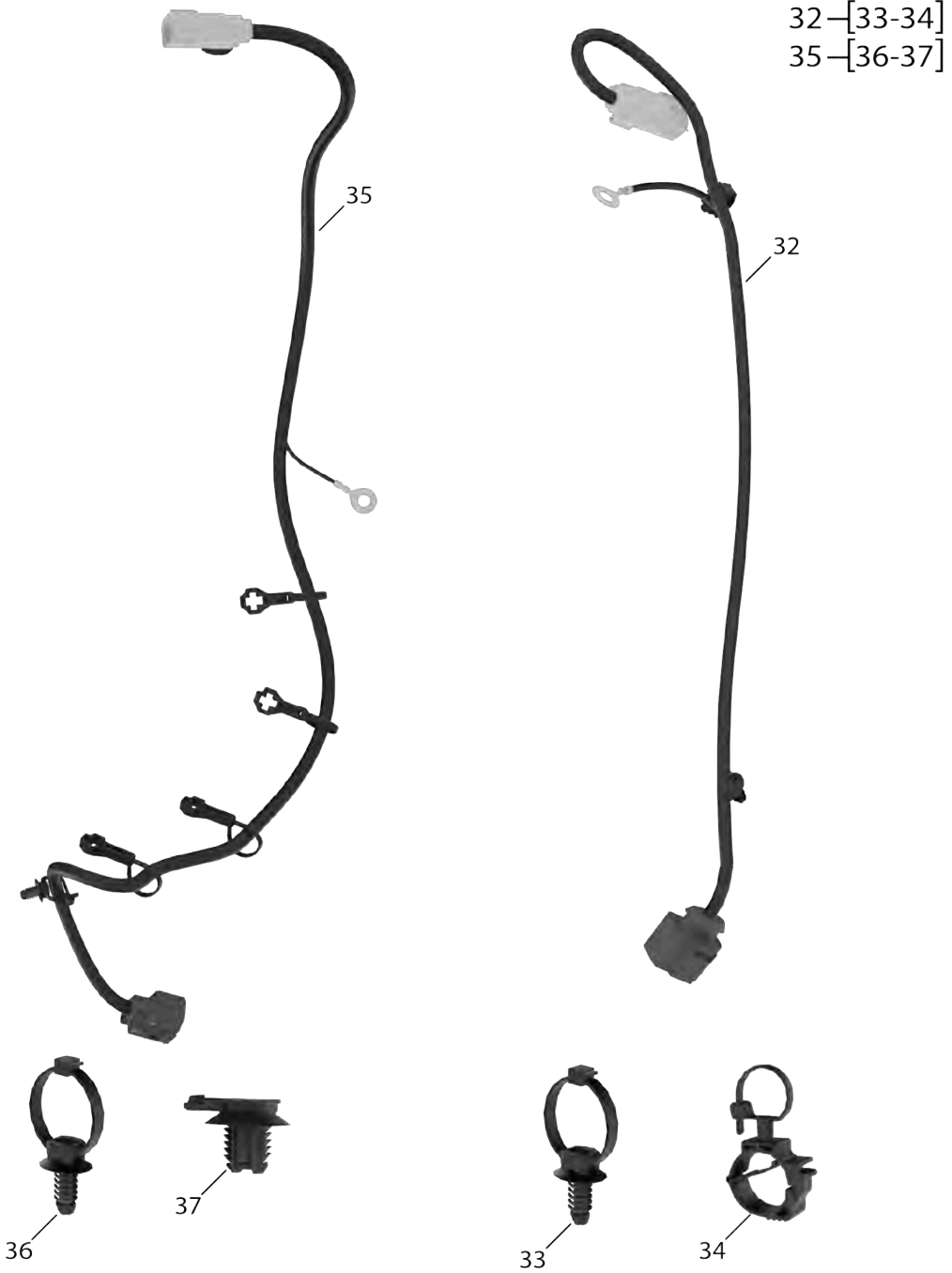
WIRING, CHASSIS, NGDV, ICE, FWD

22-[23-31]

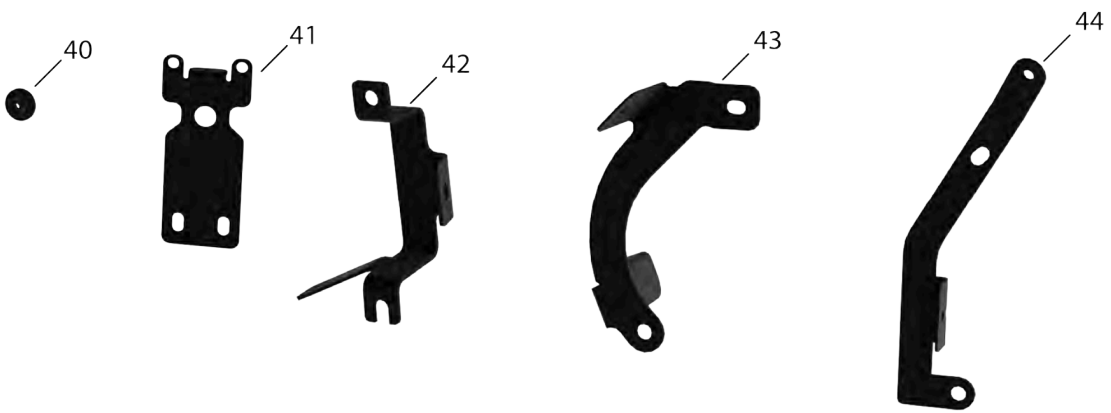
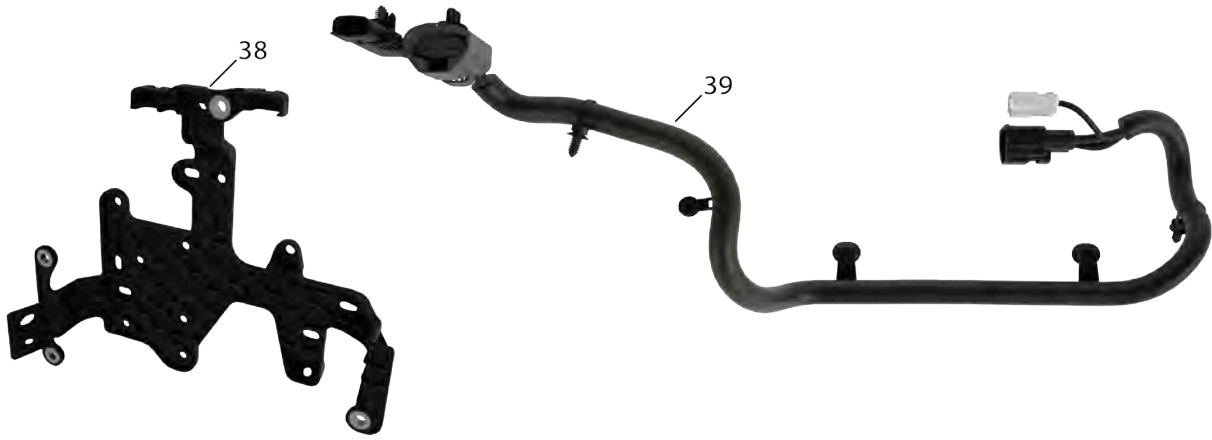


WIRING

WIRING, CHASSIS, NGDV, ICE, FWD



WIRING, CHASSIS, NGDV, ICE, FWD



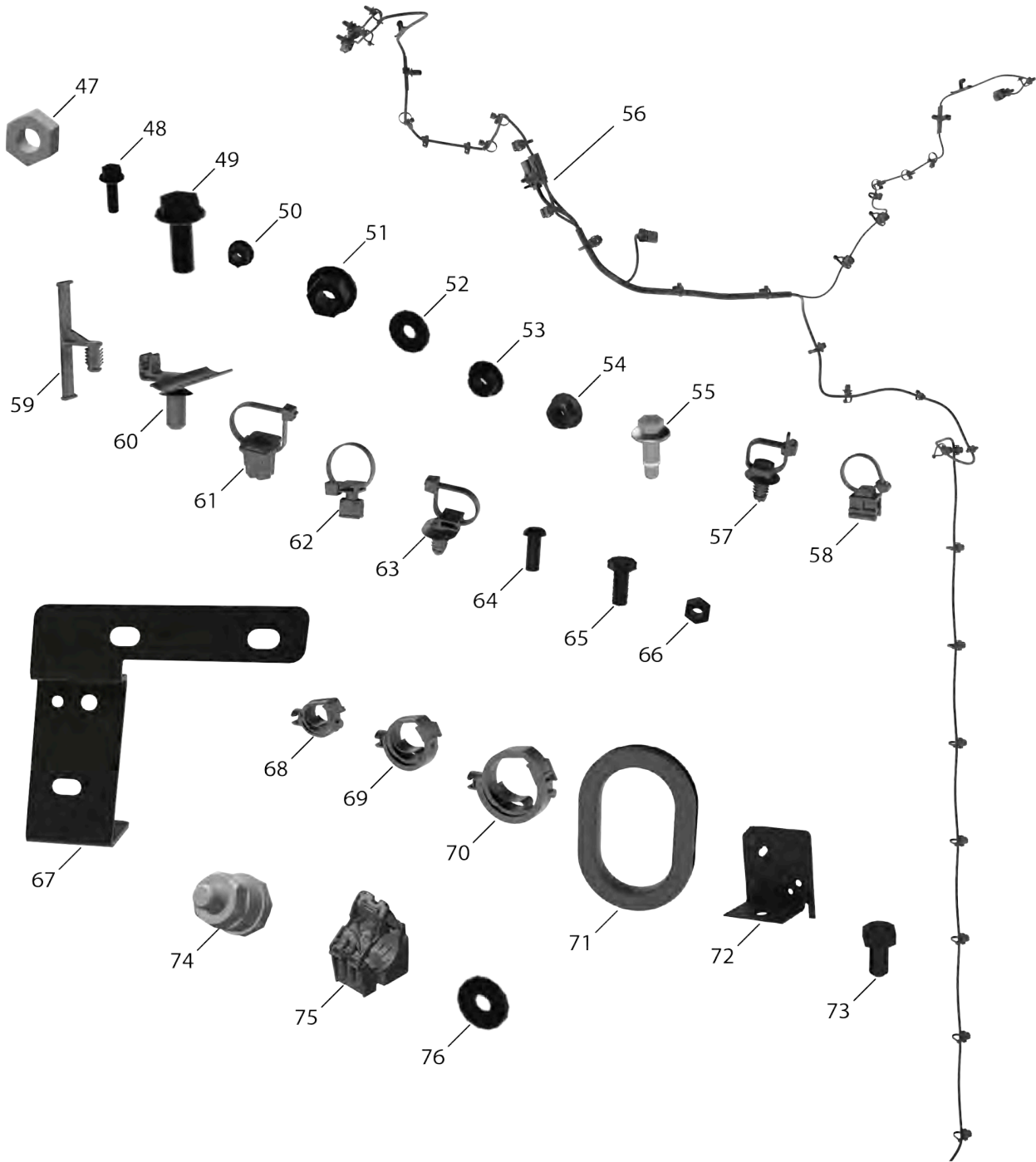


Table 175. WIRING,CHASSIS,NGDV,ICE,FWD

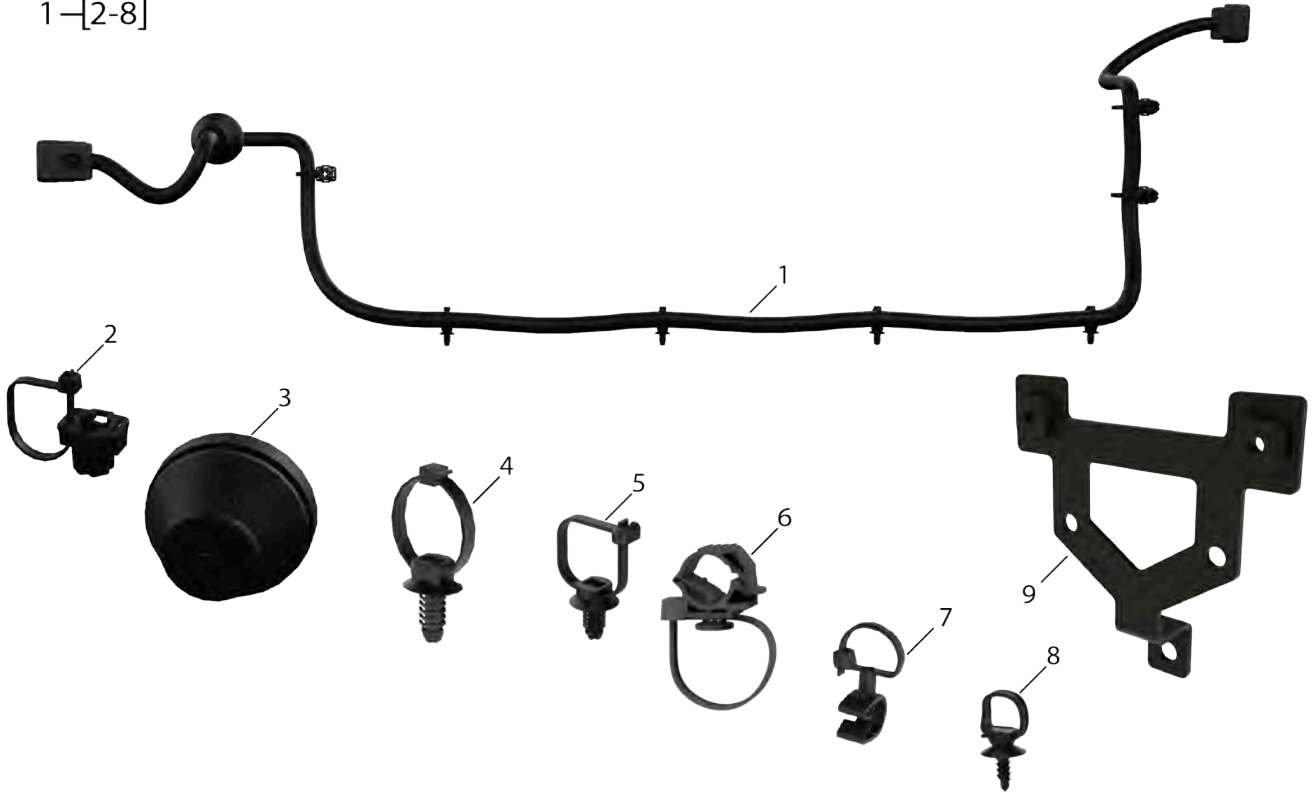
Item Number	Part Number	Description	Quantity	Primary Source
1	U525NA	WIRE HARN,CHAS,BEAM AXLE	1	Oshkosh Defense
2	U2763A	MOUNTING BASE,TIE TIEDOWN,ELECTRICAL	10	Oshkosh Defense
3	U525PA	CLIP,SPL,8.0MM AND ELEC	5	Oshkosh Defense
4	U522DA	CABLE TIE 200X4.6 FT NY	5	Oshkosh Defense
5	U525QA	WIRE HARN,CHAS,ENG BAY,NIX	1	Oshkosh Defense
6	U525TA	WIRE HARN,CHAS, ROADSIDE	1	Oshkosh Defense
7	U2763A	MOUNTING BASE,TIE TIEDOWN,ELECTRICAL	10	Oshkosh Defense
8	U2705A	MOUNT,M6 STUD,CABLE TIE	13	Oshkosh Defense
9	U525UA	MOUNT,WIRE TIE,LOC	2	Oshkosh Defense
10	U525VA	GROM,RND 30.5X48.0X	1	Oshkosh Defense
11	U525XA	WIRE HARN,CHAS, REAR,NXF	1	Oshkosh Defense
12	U2763A	MOUNTING BASE,TIE TIEDOWN,ELECTRICAL	7	Oshkosh Defense
13	U1406A	PUSHPIN,BRB,CONN MTG	1	Oshkosh Defense
14	U5242A	MOUNT,FIR TREE,TAPE TAPE-ON	5	Oshkosh Defense
15	U5246A	CONN ACC,AT-ATM CONN MNT	1	Oshkosh Defense
16	U522BA	MOUNT,FIR TREE, TAPE-ON	6	Oshkosh Defense
17	U522DA	CABLE TIE 200X4.6 FT NY	3	Oshkosh Defense
18	U524SA	MOUNT,FIR TREE, TAPE-ON	1	Oshkosh Defense
19	U525WA	CABLE ASSY 4GA 25.0	1	Oshkosh Defense
20	U2763A	MOUNTING BASE,TIE TIEDOWN,ELECTRICAL	2	Oshkosh Defense
21	U525YA	CABLE ASSY 2GA 22.2	1	Oshkosh Defense
22	U525ZA	WIRE HARN,ENG, DRIVE,ACC,NIF	1	Oshkosh Defense
23	U2763A	MOUNTING BASE,TIE TIEDOWN,ELECTRICAL	4	Oshkosh Defense
24	U4402A	CABLE TIE 210.4X4.70 MOC NY	1	Oshkosh Defense
25	U524TA	PUSHPIN,BRB,CONN MTG	1	Oshkosh Defense
26	U1407A	MOUNT,FIR TREE, TAPE-ON	5	Oshkosh Defense
27	U2705A	MOUNT,M6 STUD,CABLE TIE	1	Oshkosh Defense
28	U5260A	MOUNT,CLAMP,25MM	1	Oshkosh Defense
29	U522DA	CABLE TIE 200X4.6 FT NY	2	Oshkosh Defense
30	U5261A	MOUNT,FIR TREE, TAPE-ON	2	Oshkosh Defense
31	U524SA	MOUNT,FIR TREE, TAPE-ON	1	Oshkosh Defense
32	U5262A	WIRE HARN,CHAS,WIPE	1	Oshkosh Defense
33	U2763A	MOUNTING BASE,TIE TIEDOWN,ELECTRICAL	1	Oshkosh Defense
34	U525UA	MOUNT,WIRE TIE,LOC	1	Oshkosh Defense
35	U5263A	WIRE HARN,CHAS, WIPER JMPR	1	Oshkosh Defense
36	U2763A	MOUNTING BASE,TIE TIEDOWN,ELECTRICAL	5	Oshkosh Defense
37	U1406A	PUSHPIN,BRB,CONN MTG	1	Oshkosh Defense
38	U5266A	BRKT,STDF,XMSN GND INSTL	1	Oshkosh Defense
39	U5265A	WIRE HARN,CHAS,EPAS	1	Oshkosh Defense
40	U422UA	NUT,FLG,LK M6 C8.8	7	Oshkosh Defense
41	U5264A	BRKT,STDF,WHEEL SEN	2	Oshkosh Defense
42	U525HA	BRKT,STDF,ELEC SUPPORT	1	Oshkosh Defense
43	U525JA	BRKT,STDF,WIRING SU	1	Oshkosh Defense
44	U525KA	BRKT,STDF,WIRING SU	1	Oshkosh Defense
45	U5232A	GROMMET,NONMETALLIC	2	Oshkosh Defense
46	U525GA	BRKT,STDF,EPAS	1	Oshkosh Defense
47	U5228A	NUT,PLAIN,HEXAGON M8-1.25 C10	2	Oshkosh Defense
48	U0104A	SCR,FLG,HEX M6-1.0X20 C10.9 MB	1	Oshkosh Defense
49	U525RA	SCREW,CAP,HEXAGON HEAD,M12-1.75X30 C10.9 MB	2	Oshkosh Defense
50	U132EA	NUT,SELF-LOCKING, EXTENDED WASHER,HEXAGON, M6-1.0 C10 MB	1	Oshkosh Defense
51	U1613A	NUT,SELF-LOCKING, HEXAGON,M12-1.75 C10 MB	2	Oshkosh Defense
52	U4230A	WASHER,FLAT M6X18X1.6 MB	3	Oshkosh Defense
53	U525SA	NUT,HEX,WSH M6-1.25 ZN	1	Oshkosh Defense
54	U5237A	NUT,HEX,WSH M8-1.25 IS	1	Oshkosh Defense
55	U1300A	SCR,FLG,HEX,DGP M8X25 C8.8 MG	1	Oshkosh Defense
56	U5267A	WIRE HARN,CHAS,MAIN	1	Oshkosh Defense
57	U2763A	MOUNTING BASE,TIE TIEDOWN,ELECTRICAL	8	Oshkosh Defense
58	U5245A	STRAP,TIEDOWN, ELECTRICAL COMPONENTS	2	Oshkosh Defense

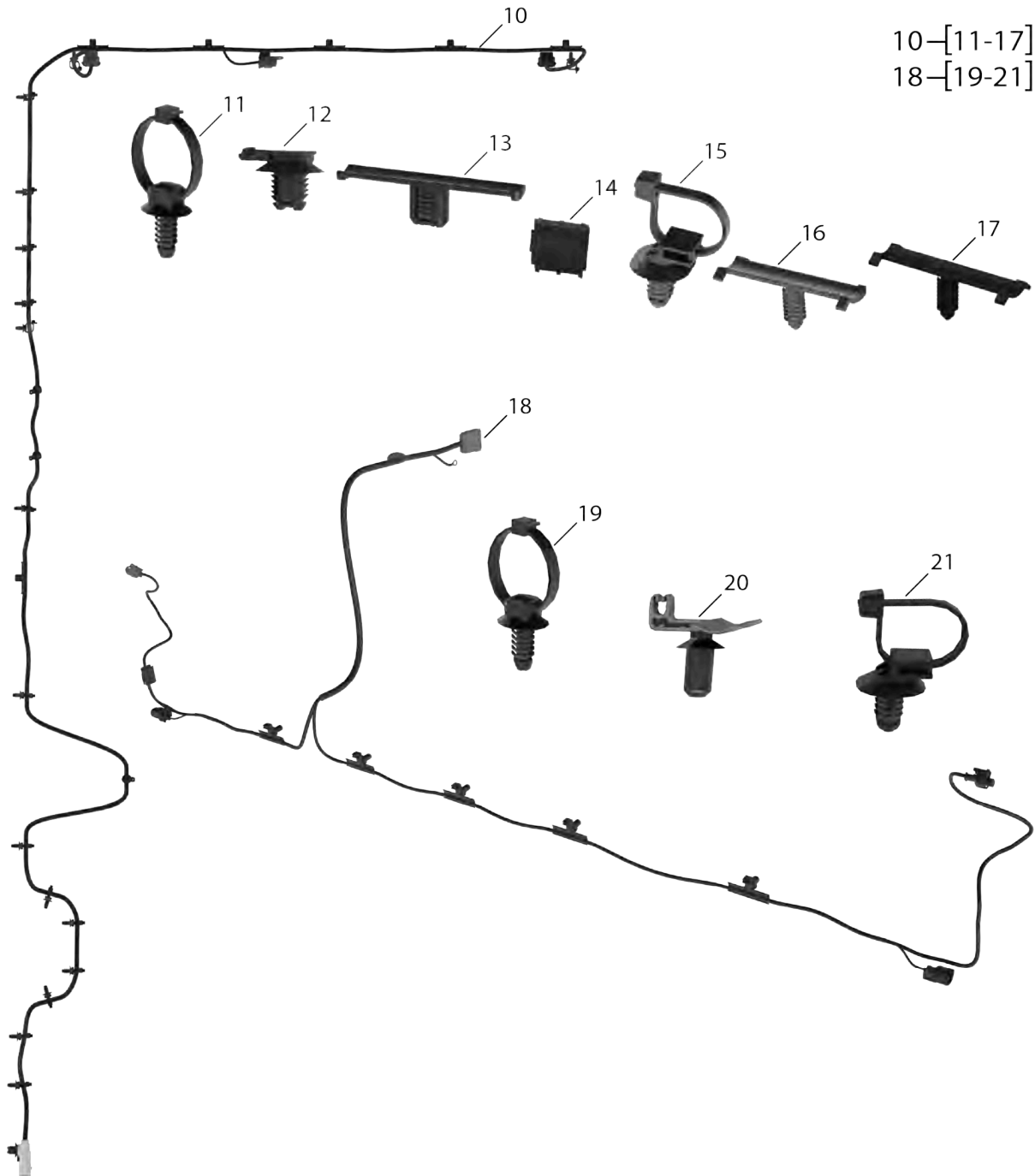
WIRING**Table 175. WIRING,CHASSIS,NGDV,ICE,FWD (continued)**

Item Number	Part Number	Description	Quantity	Primary Source
59	U522CA	MOUNT,FIR TREE, TAPE-ON	2	Oshkosh Defense
60	U525PA	CLIP,SPL,8.0MM AND ELEC	2	Oshkosh Defense
61	U2705A	MOUNT,M6 STUD,CABLE TIE	5	Oshkosh Defense
62	U5268A	CABLE TIE 200X4.6 OMEGA NY	9	Oshkosh Defense
63	U522DA	CABLE TIE 200X4.6 FT NY	2	Oshkosh Defense
64	U0250A	SCREW,CAP,SOCKET HEAD,M6-1.0X16 C10.9 MB	1	Oshkosh Defense
65	U5269A	SCR,CAP,HEX M6-1.0X16 C10.9 ZN	1	Oshkosh Defense
66	U5227A	NUT,PLAIN,HEXAGON M6-1.0 C10 ZN	1	Oshkosh Defense
67	U526AA	BRKT,STDF,CHAS INTERFACE	1	Oshkosh Defense
68	U52A0A	CLIP,LOCK-OMEGA 3-13MM NY	3	Oshkosh Defense
69	U529YA	CLIP,LOCK-OMEGA 11-20MM NY	8	Oshkosh Defense
70	U529ZA	CLIP,LOCK-OMEGA 19-28MM NY	1	Oshkosh Defense
71	U526BA	BEZEL,AUTOMOTIVE TRIM,.250-500 THK	1	Oshkosh Defense
72	U526CA	BRKT,SUBFRAME,EPAS	1	Oshkosh Defense
73	U5200A	SCR,FLG,HEX,DGP M6X20 C8.8 MG	5	Oshkosh Defense
74	U525AA	STUD,GND M8-1.25X26 DP AL	5	Oshkosh Defense
75	U526DA	CLIP,RATCHET, 0.75-1.42 B-O	1	Oshkosh Defense
76	U025YA	GSKT,RND 8.5X25.4X6.4 NBR	1	Oshkosh Defense

WIRING, CHASSIS, NGDV, BEV, FWD

1-[2-8]

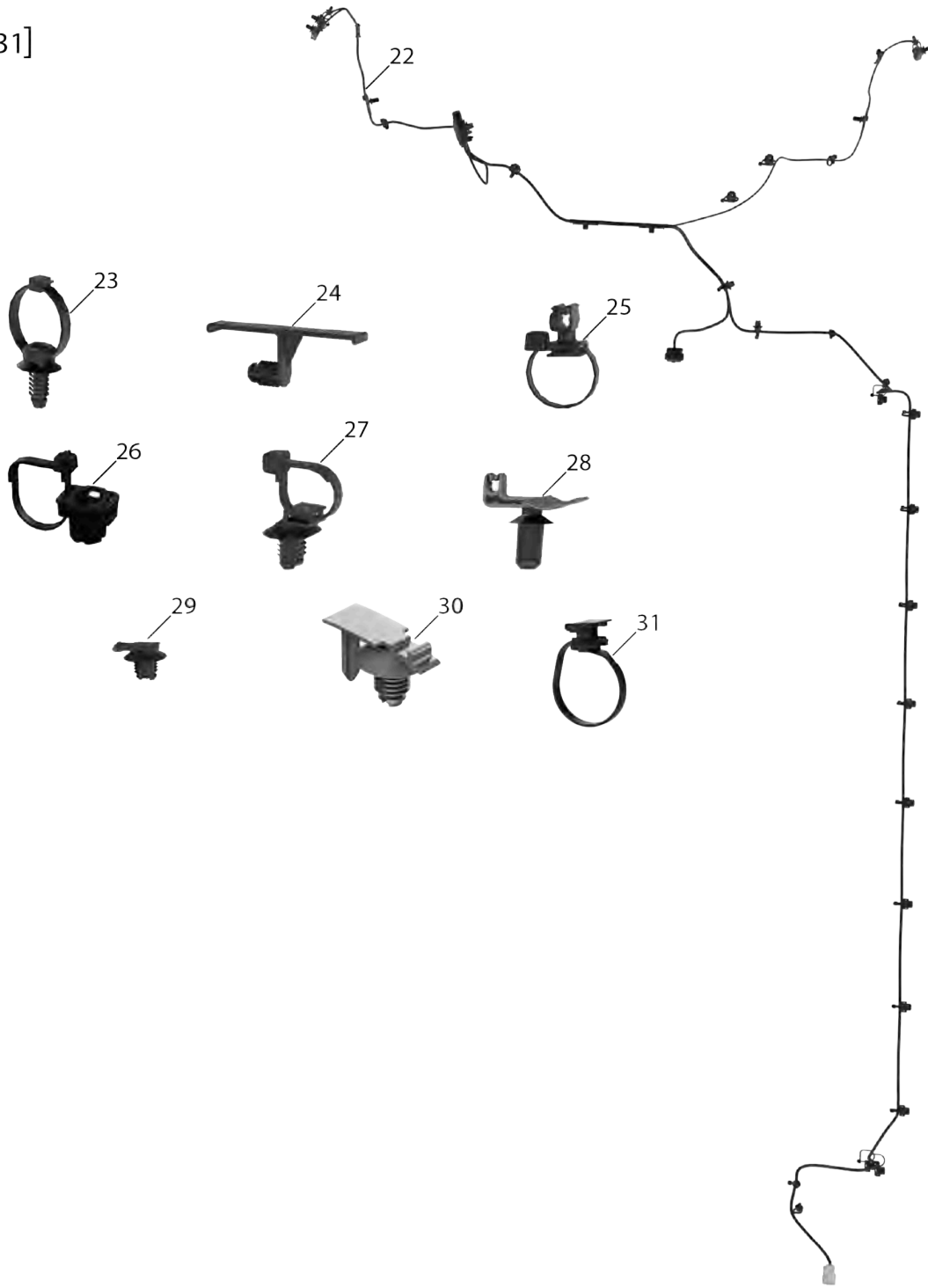


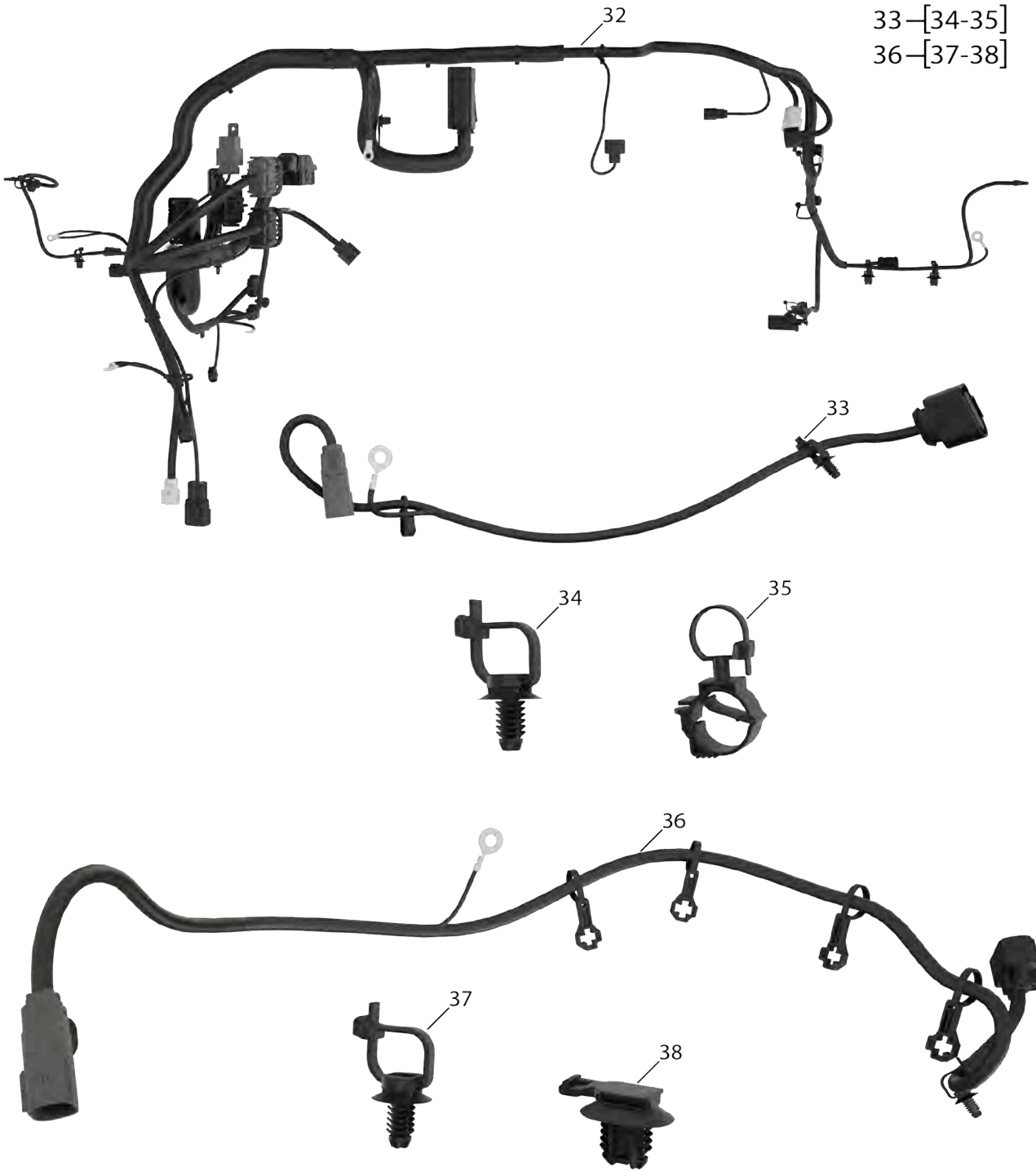


10-[11-17]
18-[19-21]

WIRING, CHASSIS, NGDV, BEV, FWD

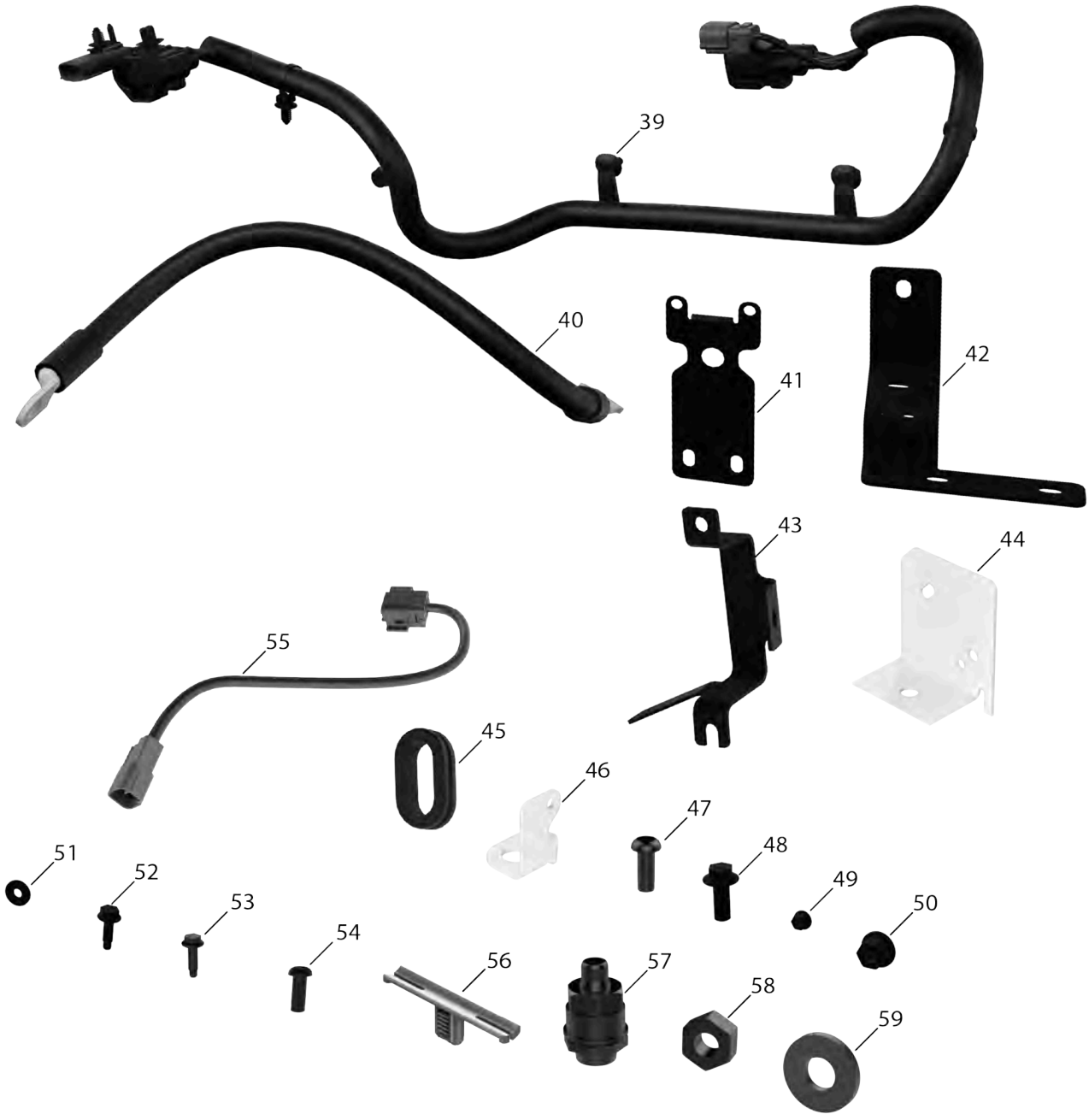
22-[23-31]





WIRING, CHASSIS, NGDV, BEV, FWD

55-[56]



WIRING

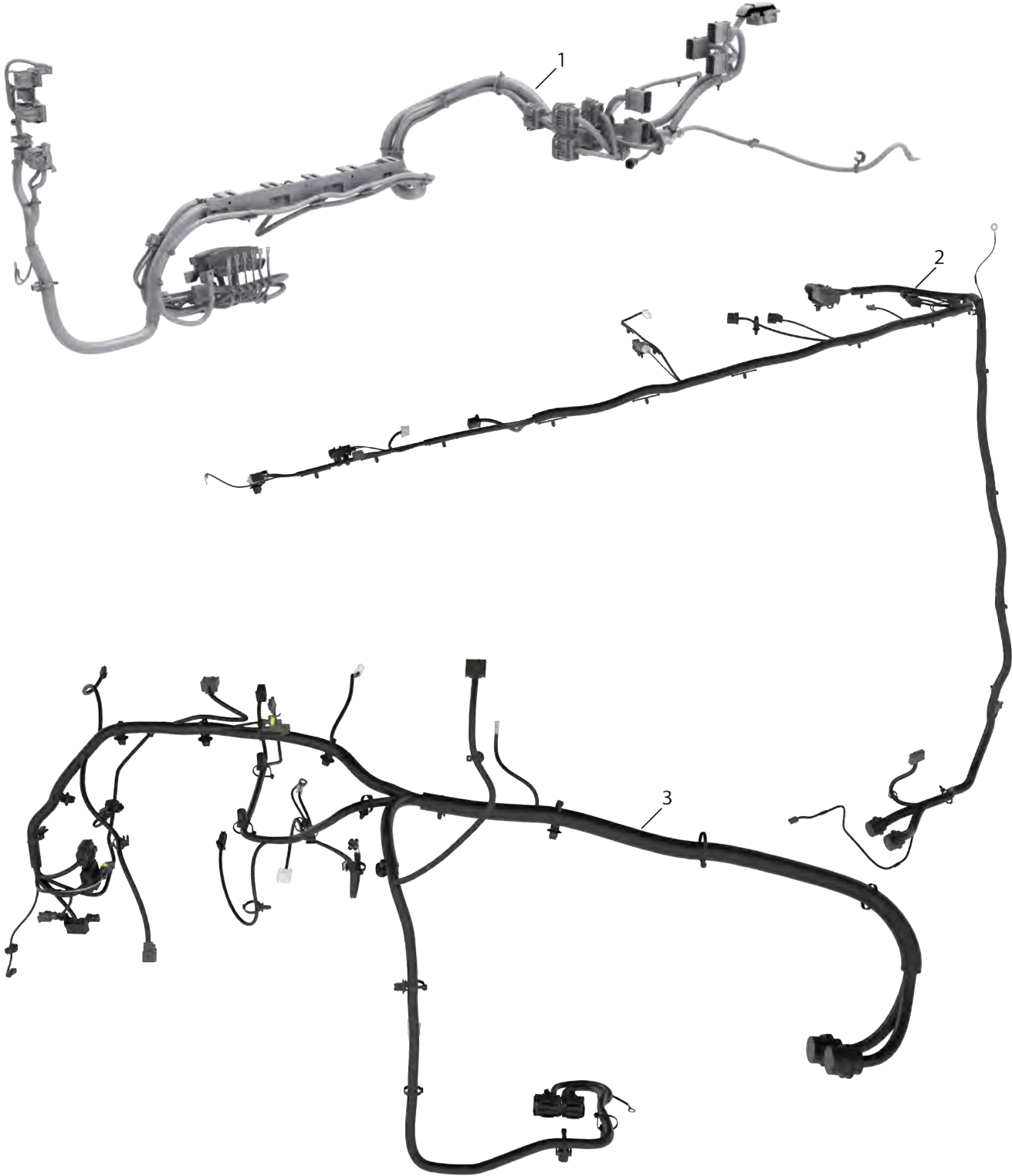
Table 176. WIRING,CHASSIS,NGDV,BEV,FWD

Item Number	Part Number	Description	Quantity	Primary Source
1	U527FA	WIRE HARN,CHAS, ROADSIDE,NBF	1	Oshkosh Defense
2	U2705A	MOUNT,M6 STUD,CABLE TIE	7	Oshkosh Defense
3	U525VA	GROM,RND 30.5X48.0X	1	Oshkosh Defense
4	U2763A	MOUNTING BASE,TIE TIEDOWN,ELECTRICAL	7	Oshkosh Defense
5	U527GA	MOUNTING BASE, TIEDOWN,ELECTRICAL	1	Oshkosh Defense
6	U527HA	CLIP,LOCKING-OMEGA 5-9MM NY	1	Oshkosh Defense
7	U527JA	CLIP,OMEGA 20-25MM NY	4	Oshkosh Defense
8	U527KA	CABLE TIE 203X5.1 FT NY	2	Oshkosh Defense
9	U527QA	BRKT,STDF,FUSE HOLDER,WLDMT	1	Oshkosh Defense
10	U525XA	WIRE HARN,CHAS, REAR,NXF	1	Oshkosh Defense
11	U2763A	MOUNTING BASE,TIE TIEDOWN,ELECTRICAL	7	Oshkosh Defense
12	U1406A	PUSHPIN,BRB,CONN MTG	1	Oshkosh Defense
13	U5242A	MOUNT,FIR TREE,TAPE TAPE-ON	5	Oshkosh Defense
14	U5246A	CONN ACC,AT-ATM CONN MNT	1	Oshkosh Defense
15	U522DA	CABLE TIE 200X4.6 FT NY	3	Oshkosh Defense
16	U522BA	MOUNT,FIR TREE, TAPE-ON	6	Oshkosh Defense
17	U524SA	MOUNT,FIR TREE, TAPE-ON	1	Oshkosh Defense
18	U525NA	WIRE HARN,CHAS,BEAM AXLE	1	Oshkosh Defense
19	U2763A	MOUNTING BASE,TIE TIEDOWN,ELECTRICAL	10	Oshkosh Defense
20	U525PA	CLIP,SPL,8.0MM AND ELEC	5	Oshkosh Defense
21	U522DA	CABLE TIE 200X4.6 FT NY	5	Oshkosh Defense
22	U527LA	WIRE HARN,CHAS,MAIN	1	Oshkosh Defense
23	U2763A	MOUNTING BASE,TIE TIEDOWN,ELECTRICAL	9	Oshkosh Defense
24	U522CA	MOUNT,FIR TREE, TAPE-ON	2	Oshkosh Defense
25	U5268A	CABLE TIE 200X4.6 OMEGA NY	9	Oshkosh Defense
26	U2705A	MOUNT,M6 STUD,CABLE TIE	16	Oshkosh Defense
27	U522DA	CABLE TIE 200X4.6 FT NY	2	Oshkosh Defense
28	U525PA	CLIP,SPL,8.0MM AND ELEC	2	Oshkosh Defense
29	U1406A	PUSHPIN,BRB,CONN MTG	4	Oshkosh Defense
30	U524TA	PUSHPIN,BRB,CONN MTG	1	Oshkosh Defense
31	U524KA	TIE,CABLE 7.3X.19 CONN MTG NY	1	Oshkosh Defense
32	U527EA	WIRE HARN,CHAS,ENG BAY,NBX	1	Oshkosh Defense
33	U5262A	WIRE HARN,CHAS,WIPE	1	Oshkosh Defense
34	U2763A	MOUNTING BASE,TIE TIEDOWN,ELECTRICAL	1	Oshkosh Defense
35	U525UA	MOUNT,WIRE TIE,LOC	1	Oshkosh Defense
36	U5263A	WIRE HARN,CHAS, WIPER JMPR	1	Oshkosh Defense
37	U2763A	MOUNTING BASE,TIE TIEDOWN,ELECTRICAL	5	Oshkosh Defense
38	U1406A	PUSHPIN,BRB,CONN MTG	1	Oshkosh Defense
39	U5265A	WIRE HARN,CHAS,EPAS	1	Oshkosh Defense
40	U527MA	CABLE ASSY 2GA 15.4	1	Oshkosh Defense
41	U5264A	BRKT,STDF,WHEEL SEN	2	Oshkosh Defense
42	U526AA	BRKT,STDF,CHAS INTERFACE	1	Oshkosh Defense
43	U525HA	BRKT,STDF,ELEC SUPPORT	1	Oshkosh Defense
44	U526CA	BRKT,SUBFRAME,EPAS	1	Oshkosh Defense
45	U5232A	GROMMET,NONMETALLIC	2	Oshkosh Defense
46	U525GA	BRKT,STDF,EPAS	1	Oshkosh Defense
47	U0250A	SCREW,CAP,SOCKET HEAD,M6-1.0X16 C10.9 MB	1	Oshkosh Defense
48	U525RA	SCREW,CAP,HEXAGON HEAD,M12-1.75X30 C10.9 MB	2	Oshkosh Defense
49	U132EA	NUT,SELF-LOCKING, EXTENDED WASHER,HEXAGON, M6-1.0 C10 MB	1	Oshkosh Defense
50	U1613A	NUT,SELF-LOCKING, HEXAGON,M12-1.75 C10 MB	2	Oshkosh Defense
51	U4230A	WASHER,FLAT M6X18X1.6 MB	2	Oshkosh Defense
52	U1300A	SCR,FLG,HEX,DGP M8X25 C8.8 MG	1	Oshkosh Defense
53	U5200A	SCR,FLG,HEX,DGP M6X20 C8.8 MG	5	Oshkosh Defense
54	U527NA	SCREW,CAP,SOCKET HEAD,M5-0.8X10 C10.9 MB	4	Oshkosh Defense
55	U527PA	WIRE HARN,CHAS,AVAS JMPR	1	Oshkosh Defense
56	U522AA	MOUNT,FIR TREE, TAPE-ON	1	Oshkosh Defense
57	U525AA	STUD,GND M8-1.25X26 DP AL	6	Oshkosh Defense

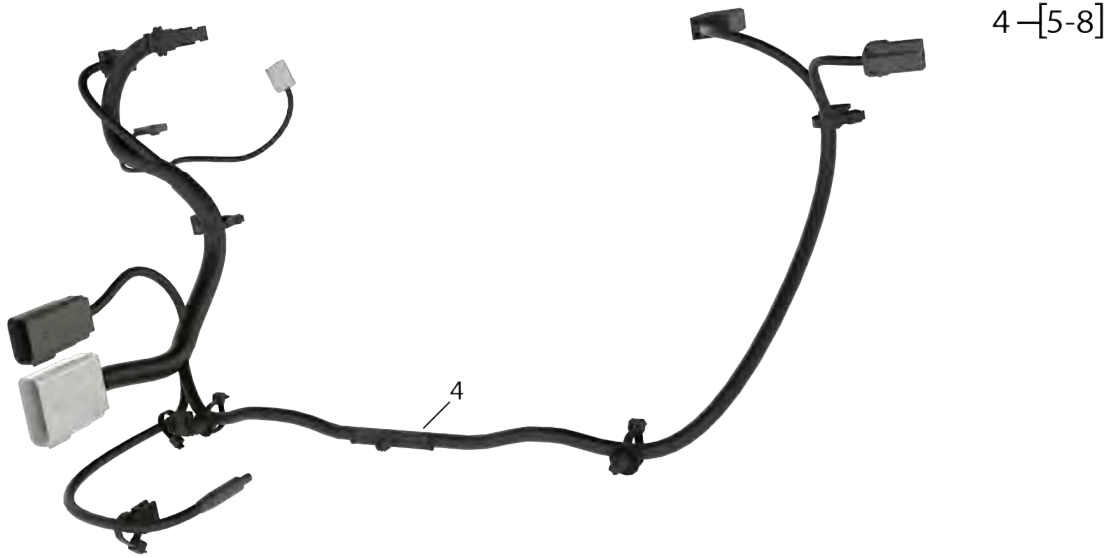
Table 176. WIRING,CHASSIS,NGDV,BEV,FWD (continued)

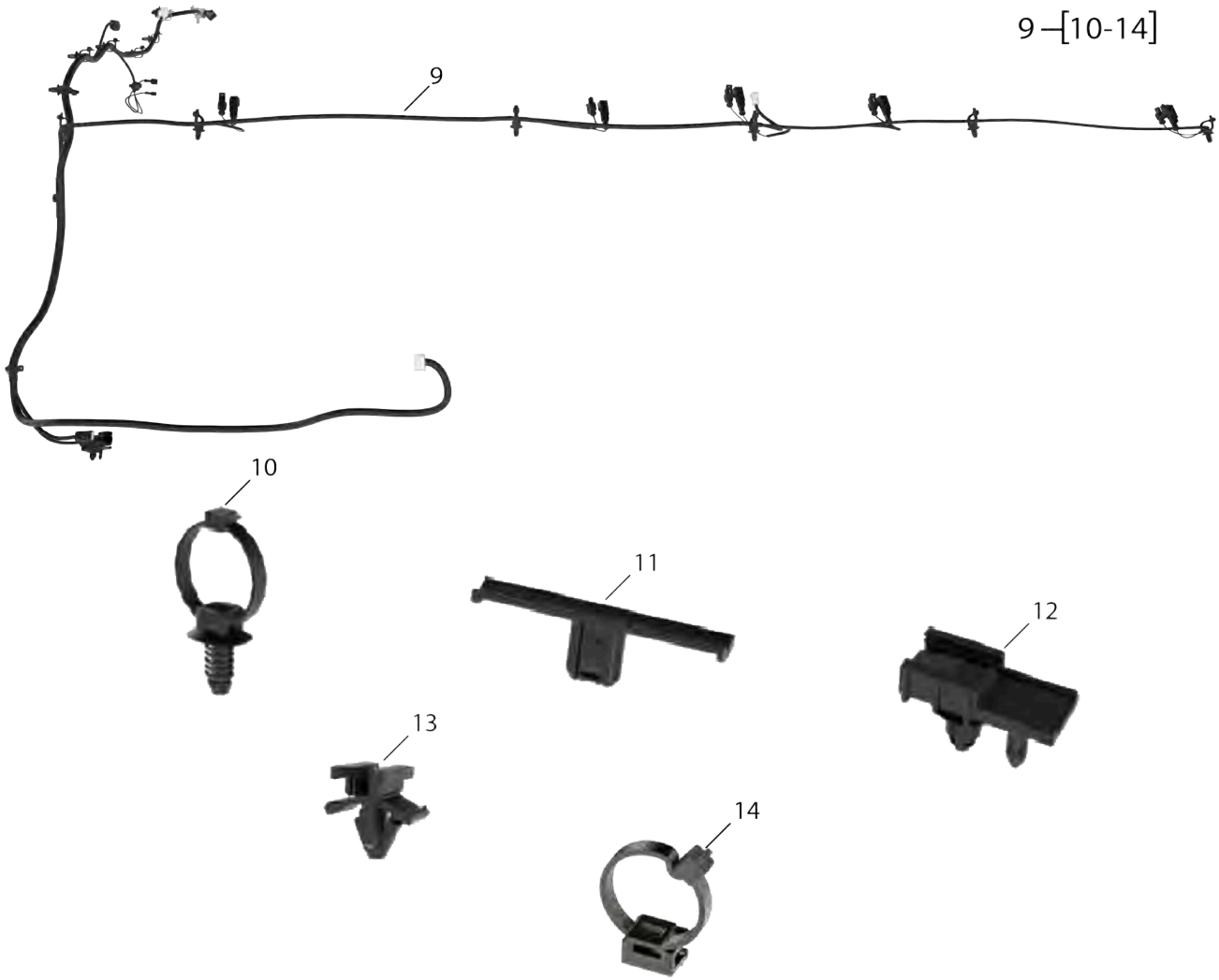
Item Number	Part Number	Description	Quantity	Primary Source
58	U5228A	NUT,PLAIN,HEXAGON M8-1.25 C10	2	Oshkosh Defense
59	U025YA	GSKT,RND 8.5X25.4X6.4 NBR	1	Oshkosh Defense

WIRING,CAB,NGDV AWD

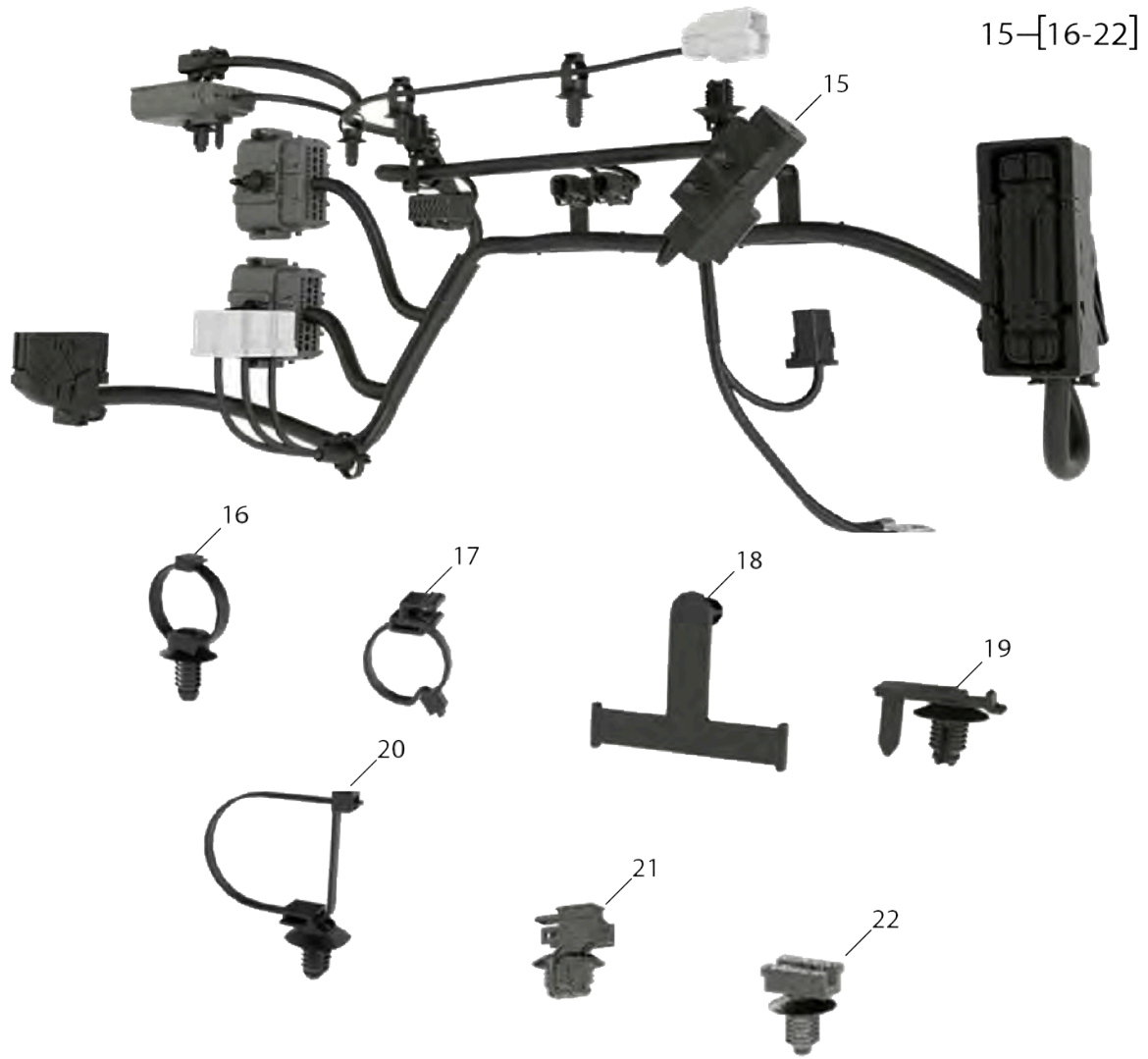


WIRING,CAB,NGDV AWD



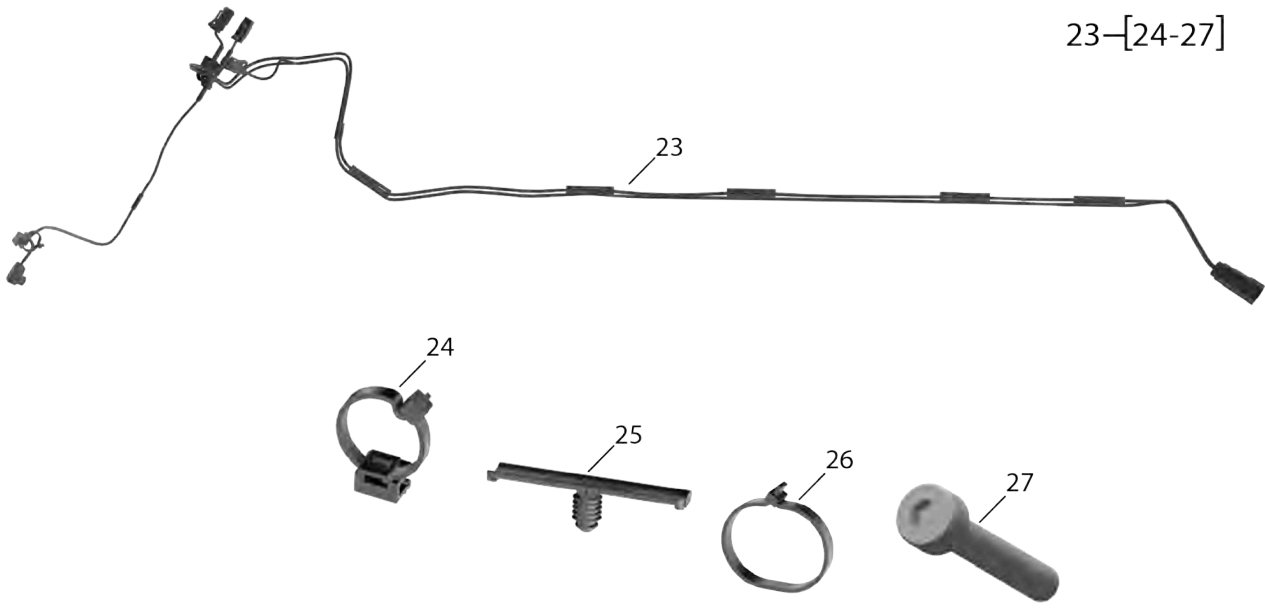


WIRING,CAB,NGDV AWD

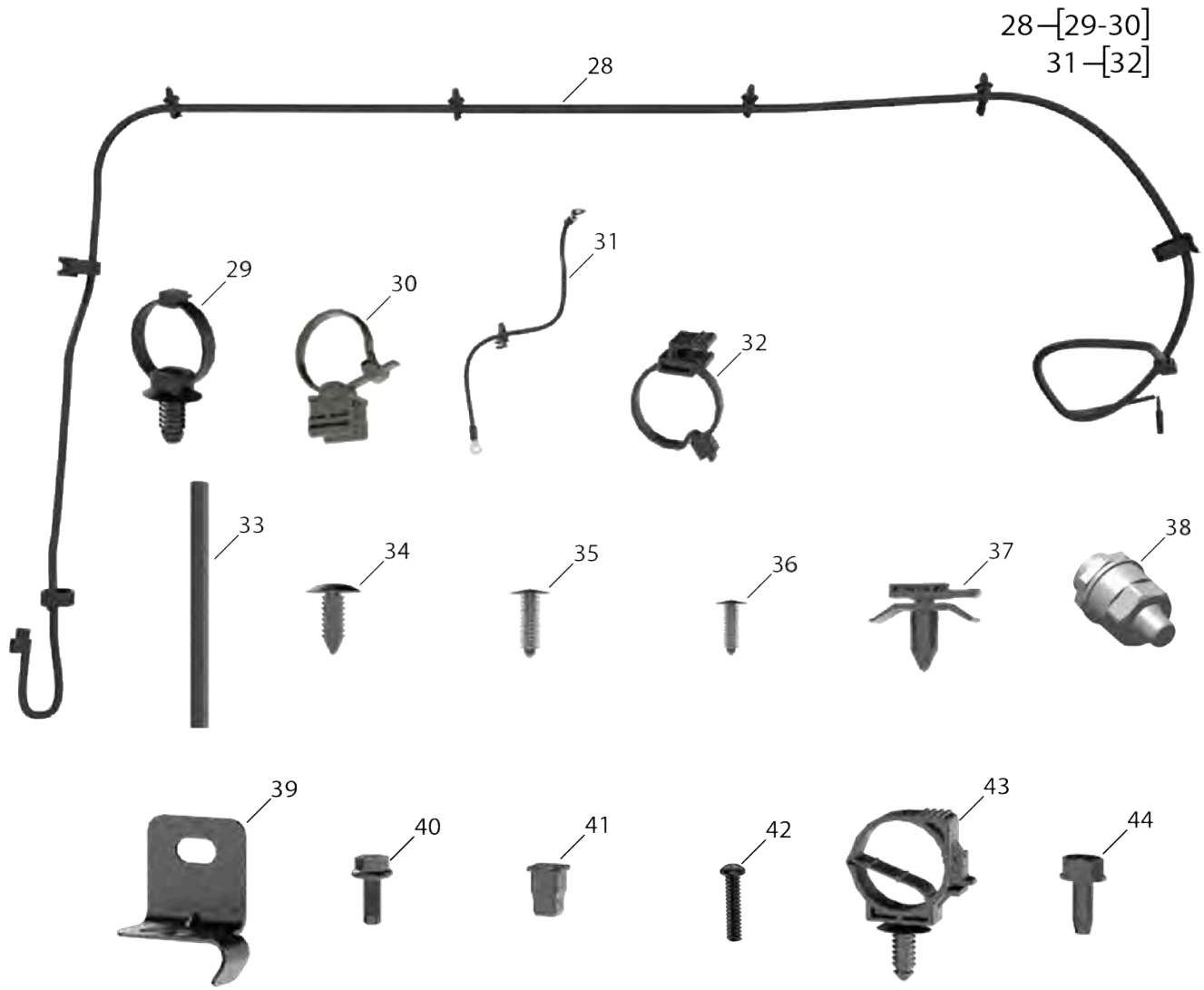


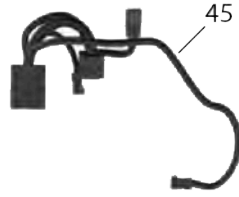
WIRING

WIRING,CAB,NGDV AWD

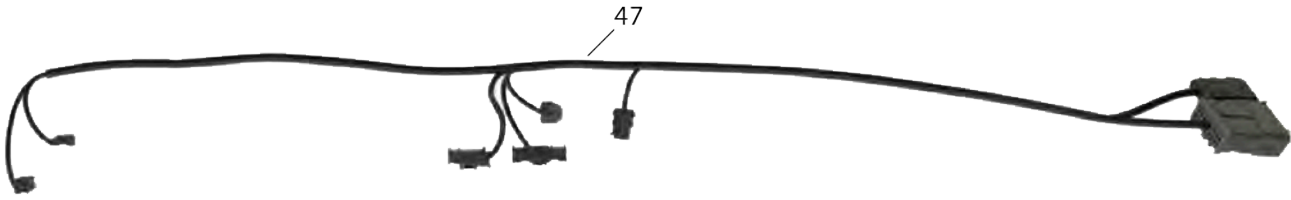


WIRING,CAB,NGDV AWD

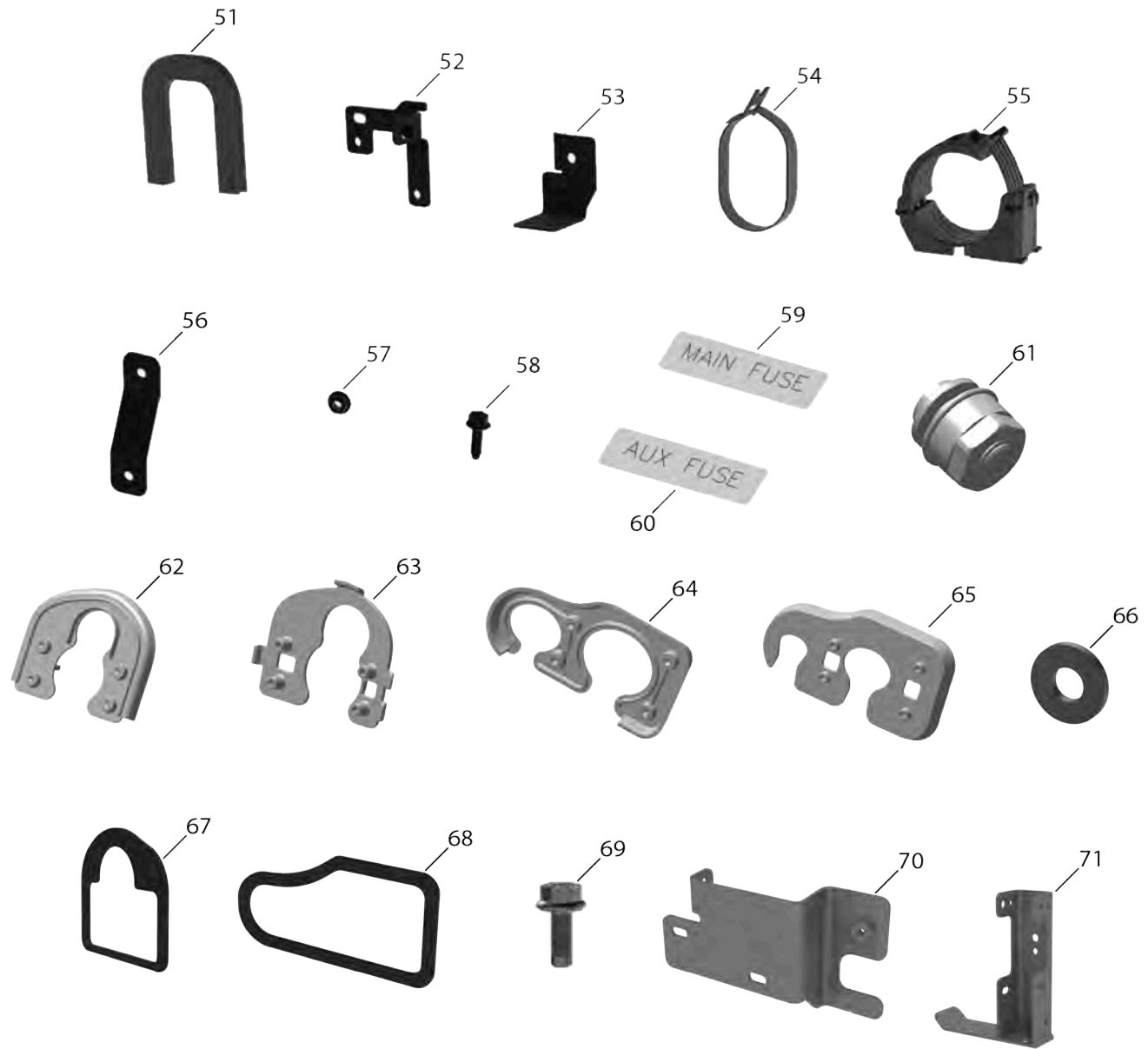




45-[46]
47-[48-50]



WIRING,CAB,NGDV AWD



WIRING

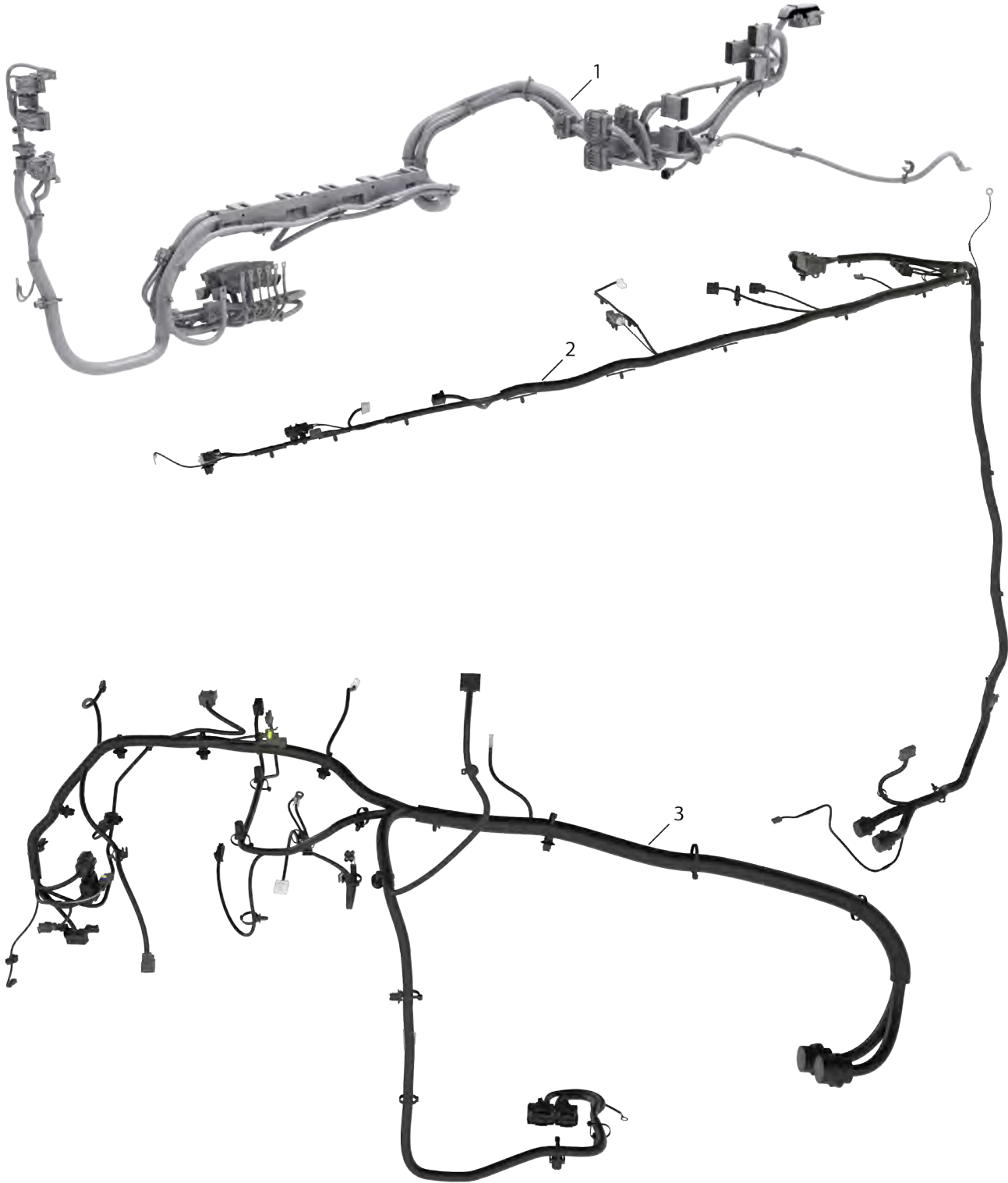
Table 177. WIRING,CAB,NGDV AWD

Item Number	Part Number	Description	Quantity	Primary Source
1	U524AA	WIRE HARN,CAB,PWR INTERFACE,REFER TO VIN	1	Oshkosh Defense
1	U524AB	WIRE HARN ASSY,CAB, POWER,INTRF,NIX,REFER TO VIN	1	Oshkosh Defense
2	U5241A	WIRE HARN,CAB,UPPER REFER TO VIN	1	Oshkosh Defense
2	U5241B	WIRE HARN,CAB, UPPER,NXX,REFER TO VIN	1	Oshkosh Defense
3	U524XA	WIRE HARN,CAB,DASH, MAIN,REFER TO VIN	1	Oshkosh Defense
3	U524XB	WIRE HARN,CAB,DASH, MAIN,NXX,REFER TO VIN	1	Oshkosh Defense
4	U524QA	WIRE HARN,DASH,RH PANEL	1	Oshkosh Defense
5	U2763A	MOUNTING BASE,TIE TIEDOWN,ELECTRICAL	2	Oshkosh Defense
6	U523ZA	STRAP,TIEDOWN, ELECTRICAL COMPONENTS	1	Oshkosh Defense
7	U132AA	STRAP,TIEDOWN, ELECTRICAL COMPONENTS	3	Oshkosh Defense
8	U1407A	MOUNT,FIR TREE, TAPE-ON	1	Oshkosh Defense
9	U5250A	WIRE HARN,CAB,SIDE	1	Oshkosh Defense
10	U2763A	MOUNTING BASE,TIE TIEDOWN,ELECTRICAL	14	Oshkosh Defense
11	U1407A	MOUNT,FIR TREE, TAPE-ON	1	Oshkosh Defense
12	U5251A	CLIP,DT RECEIPT	1	Oshkosh Defense
13	U5252A	PUSHPIN,BRB,CONN MTG	1	Oshkosh Defense
14	U523ZA	STRAP,TIEDOWN, ELECTRICAL COMPONENTS	1	Oshkosh Defense
15	U524RA	WIRE HARN,CAB, MODULE INTF AWD	1	Oshkosh Defense
16	U2763A	MOUNTING BASE,TIE TIEDOWN,ELECTRICAL	4	Oshkosh Defense
17	U523ZA	STRAP,TIEDOWN, ELECTRICAL COMPONENTS	2	Oshkosh Defense
18	U524SA	MOUNT,FIR TREE, TAPE-ON	2	Oshkosh Defense
19	U524TA	PUSHPIN,BRB,CONN MTG	3	Oshkosh Defense
20	U522DA	CABLE TIE 200X4.6 FT NY	3	Oshkosh Defense
21	U524UA	PUSHPIN,BRB,H-T, CONN MTG	1	Oshkosh Defense
22	U524VA	PUSHPIN,BRB,CONN MTG	1	Oshkosh Defense
23	U524WA	WIRE HARN,CAB,LOWER	1	Oshkosh Defense
24	U523ZA	STRAP,TIEDOWN, ELECTRICAL COMPONENTS	1	Oshkosh Defense
25	U1407A	MOUNT,FIR TREE, TAPE-ON	5	Oshkosh Defense
26	U420NA	TIE,CABLE ELECTRICAL COMPONENTS,11.41X.184	1	Oshkosh Defense
27	U340ZA	SCREW,CAP,SOCKET HEAD,M4-0.7X40 12.9 MB	8	Oshkosh Defense
28	U5254A	CABLE ASSY 90IN, USB,JMPR	1	Oshkosh Defense
29	U2763A	MOUNTING BASE,TIE TIEDOWN,ELECTRICAL	4	Oshkosh Defense
30	U524YA	TIE MOUNT,EDGE, W-TIE	1	Oshkosh Defense
31	U5253A	WIRE ASSY 8GA 16.8	1	Oshkosh Defense
32	U523ZA	STRAP,TIEDOWN, ELECTRICAL COMPONENTS	1	Oshkosh Defense
33	U5256A	BEZEL,AUTOMOTIVE TRIM	1	Oshkosh Defense
34	U5231A	GROMMET BLANK, NONMETALLIC .25X.70X.47 NY	1	Oshkosh Defense
35	U021CA	PUSHPIN,BRB .25X.69X.50	1	Oshkosh Defense
36	U522JA	PUSHPIN,BRB .19X.40X.62	1	Oshkosh Defense
37	U524ZA	BRKT,CONN ASSY,PAC MTG CLIP	2	Oshkosh Defense
38	U525AA	STUD,GND M8-1.25X26 DP AL	4	Oshkosh Defense
39	U5257A	BRKT,STDF,CONN MOD	1	Oshkosh Defense
40	U132CA	SCREW,CAP,HEXAGON HEAD,M6-1.0X16 C10.9 MB	2	Oshkosh Defense
41	U024DA	NUT,SPL 4.2-5.0MM 9.25-9.50 PL	2	Oshkosh Defense
42	U5258A	SCR,PAN,XR 0.44X0.75 PO	2	Oshkosh Defense
43	U5259A	CLIP,LOCK-OMEGA 20-25MM NY	5	Oshkosh Defense
44	U0125A	SCR,WASH,HEX,TF M6-1.00X16 ZP	2	Oshkosh Defense
45	U523RA	WIRE HARN,CAB,CAM INTEGRATION	1	Oshkosh Defense
46	U1406A	PUSHPIN,BRB,CONN MTG	1	Oshkosh Defense
47	U523YA	WIRE HARN,CAB,UPPER SUB	1	Oshkosh Defense
48	U523ZA	STRAP,TIEDOWN, ELECTRICAL COMPONENTS	5	Oshkosh Defense
49	U5240A	STRAP,TIEDOWN, ELECTRICAL COMPONENTS	1	Oshkosh Defense
50	U1406A	PUSHPIN,BRB,CONN MTG	1	Oshkosh Defense
51	U523QA	SEAL,NONMETALLIC SPECIAL SHAPED SECTION,0.50X0.66	2	Oshkosh Defense
52	U523TA	BRKT,STDF,LOCK WIRI	1	Oshkosh Defense
53	U523SA	BRKT,STDF,HVAC RELO	1	Oshkosh Defense
54	U523UA	STRAP,LOOP,VELCRO	14	Oshkosh Defense

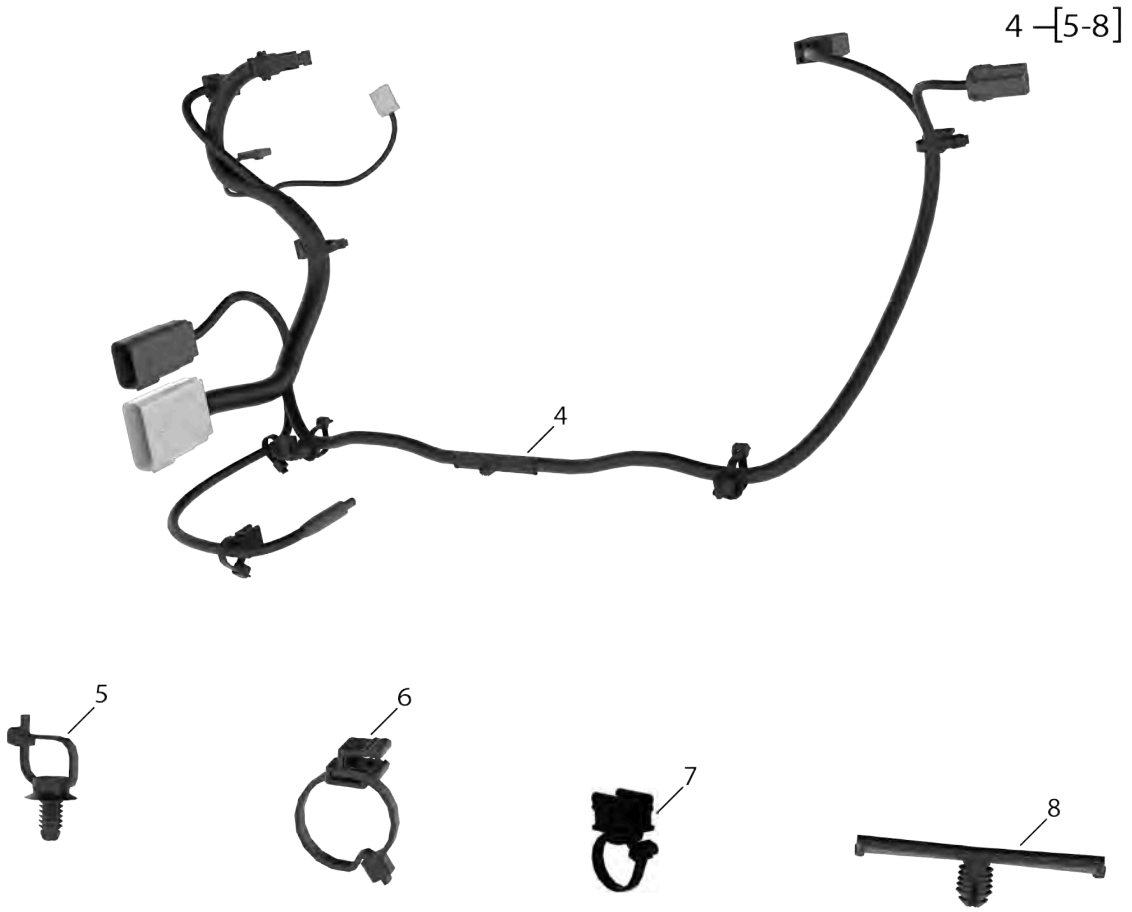
Table 177. WIRING,CAB,NGDV AWD (continued)

Item Number	Part Number	Description	Quantity	Primary Source
55	U523VA	CLIP,RATCHET,1.38-2	1	Oshkosh Defense
56	U5249A	BRKT,STDF,WHEELWELL	1	Oshkosh Defense
57	U421SA	NUT,FLG M6-1.0 C10 MG	1	Oshkosh Defense
58	U02HFA	SCR,FLG,HEX M6-1.0X20 C10.9 MG	4	Oshkosh Defense
59	U523WA	LABEL,INFO,MAIN FUSE,VY	1	Oshkosh Defense
60	U523XA	LABEL,INFO,AUX RELAY,VY	1	Oshkosh Defense
61	U5222A	STUD,GND M8-1.25X13 C8.8 ST	2	Oshkosh Defense
62	U525BA	GROM,MULT,FR PLATE, SPL	1	Oshkosh Defense
63	U525CA	GROM,MULT,BACK PLATE,SPL	1	Oshkosh Defense
64	U525DA	GROM,MULT,FR PLATE, SPL	1	Oshkosh Defense
65	U525EA	GROM,MULT,BACK PLATE,SPL	1	Oshkosh Defense
66	U525FA	WASHER BLANK #8X.44X.05 ZP	2	Oshkosh Defense
67	U529LA	GSKT,RND 103X116X3	1	Oshkosh Defense
68	U529MA	GSKT,RND 141X73X3	1	Oshkosh Defense
69	U02G7A	SCR,FLG,HEX M5-0.8X16 C10.9 MB	1	Oshkosh Defense
70	U529PA	BRKT,STDF,DASH INTRF,WLDMT	1	Oshkosh Defense
71	U529QA	BRKT,MTG,WIRE HARN, WLDMT	1	Oshkosh Defense

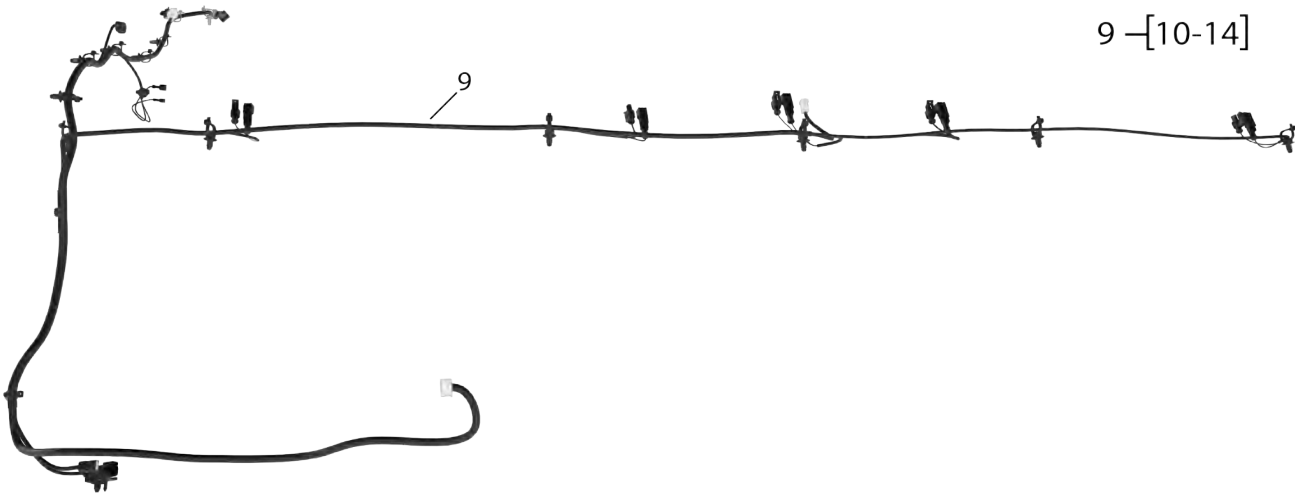
WIRING,CAB,NGDV,ICE,FWD



WIRING,CAB,NGDV,ICE,FWD

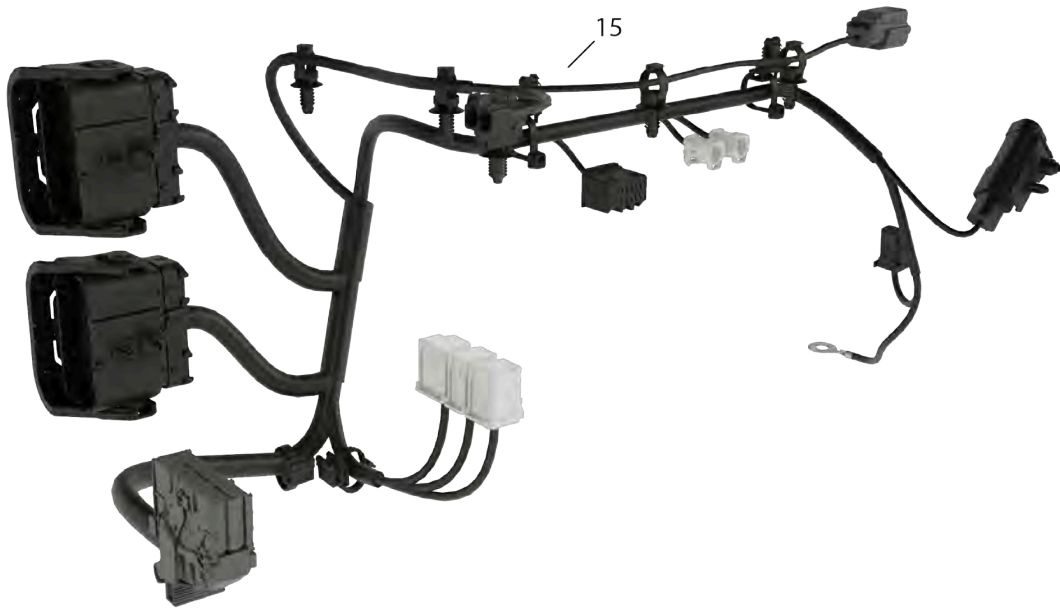


9-[10-14]



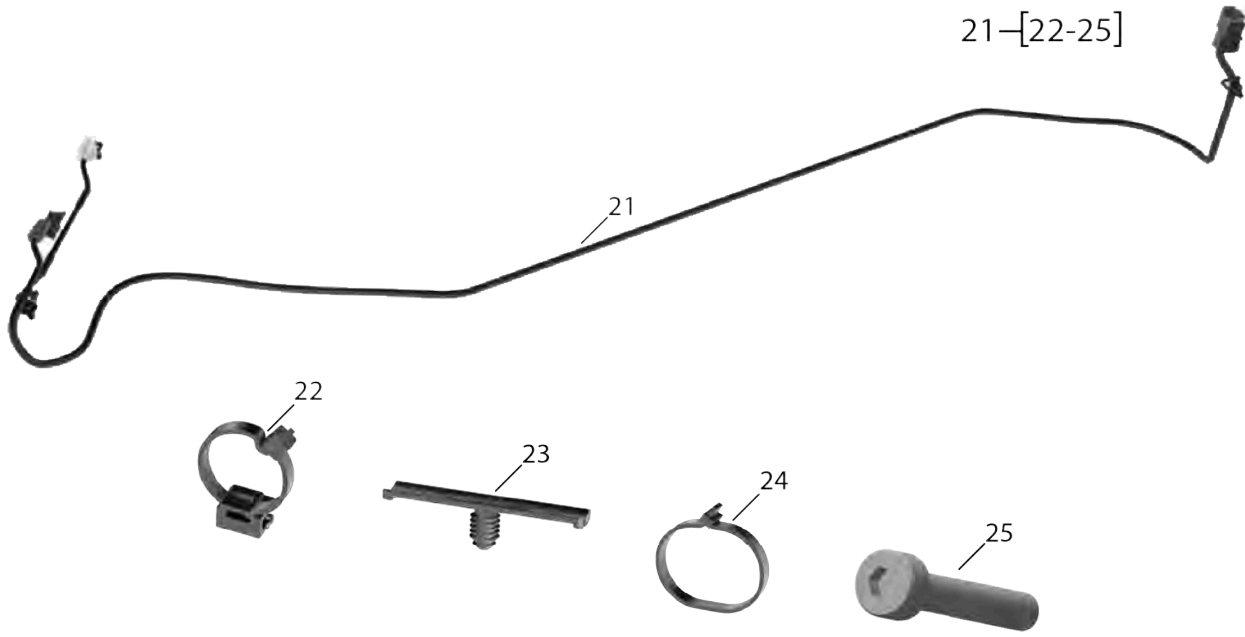
WIRING,CAB,NGDV,ICE,FWD

15-[16-20]

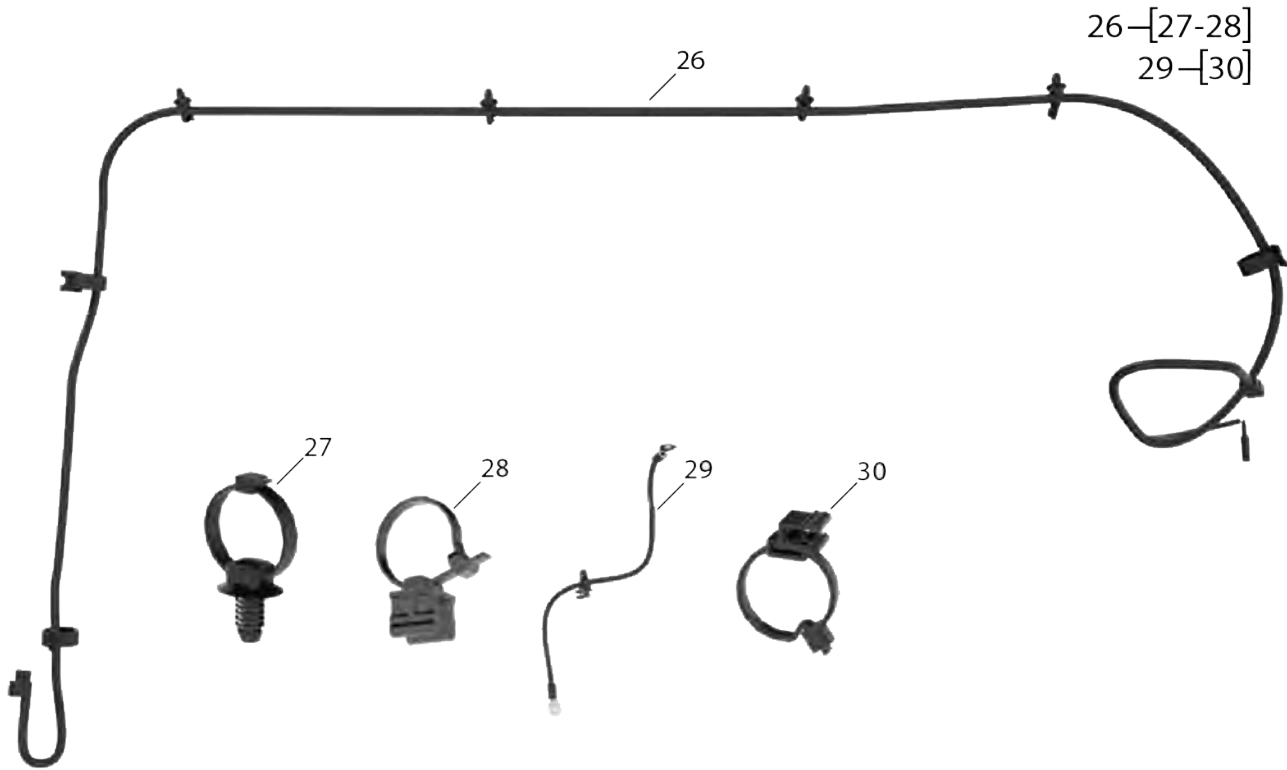


WIRING

WIRING,CAB,NGDV,ICE,FWD

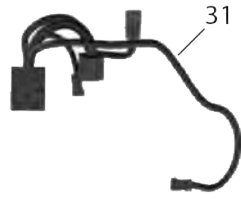


WIRING,CAB,NGDV,ICE,FWD

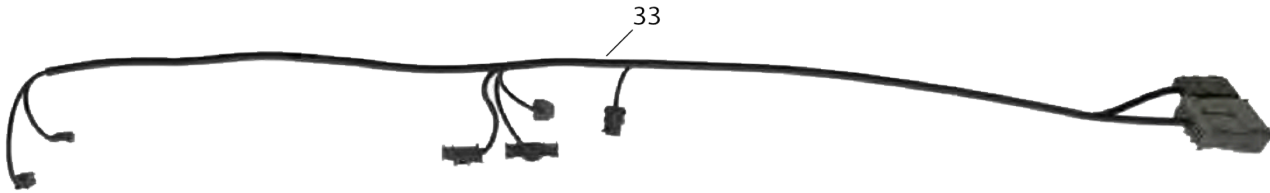


WIRING

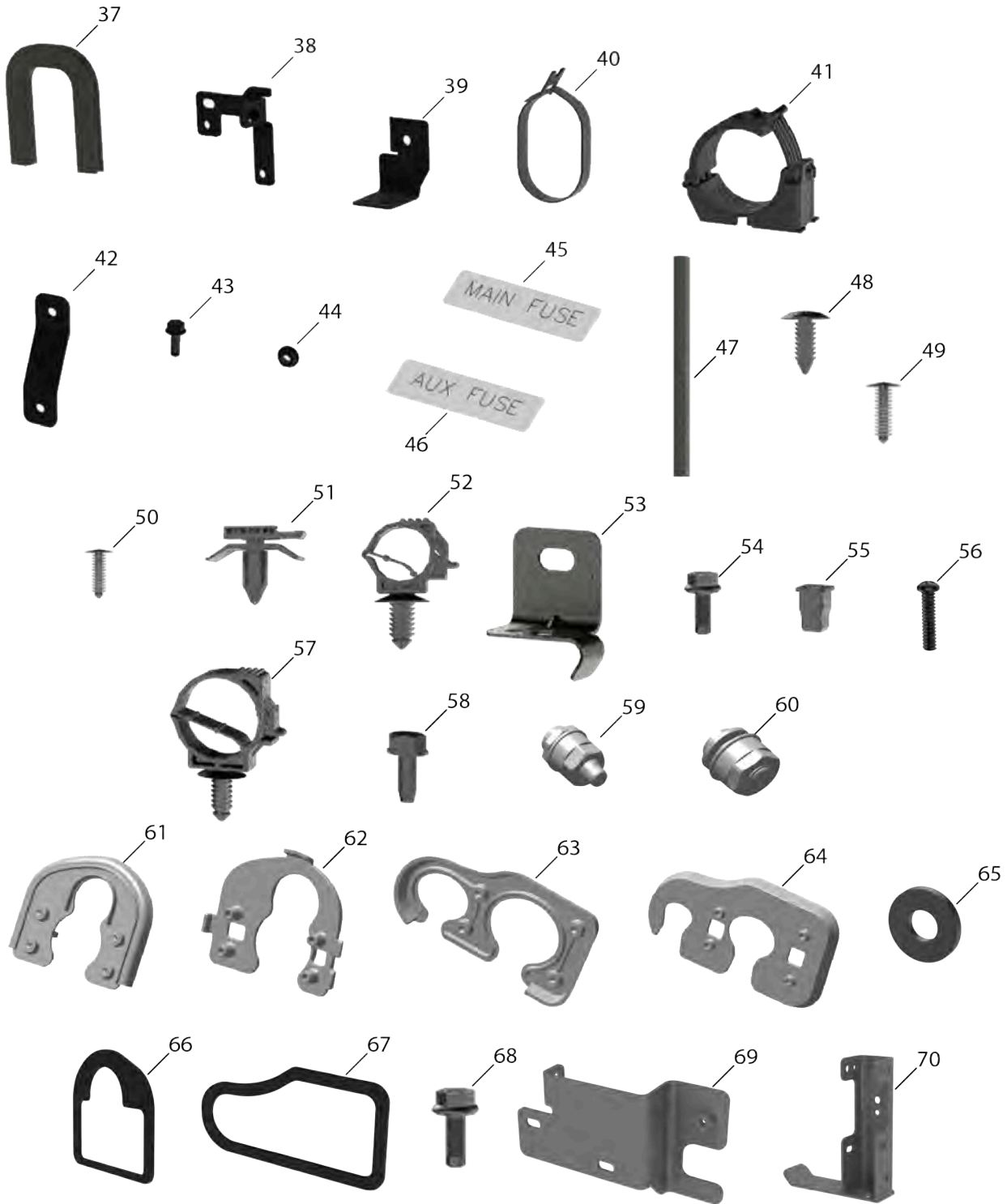
WIRING,CAB,NGDV,ICE,FWD



31-[32]
33-[34-36]



WIRING,CAB,NGDV,ICE,FWD



WIRING

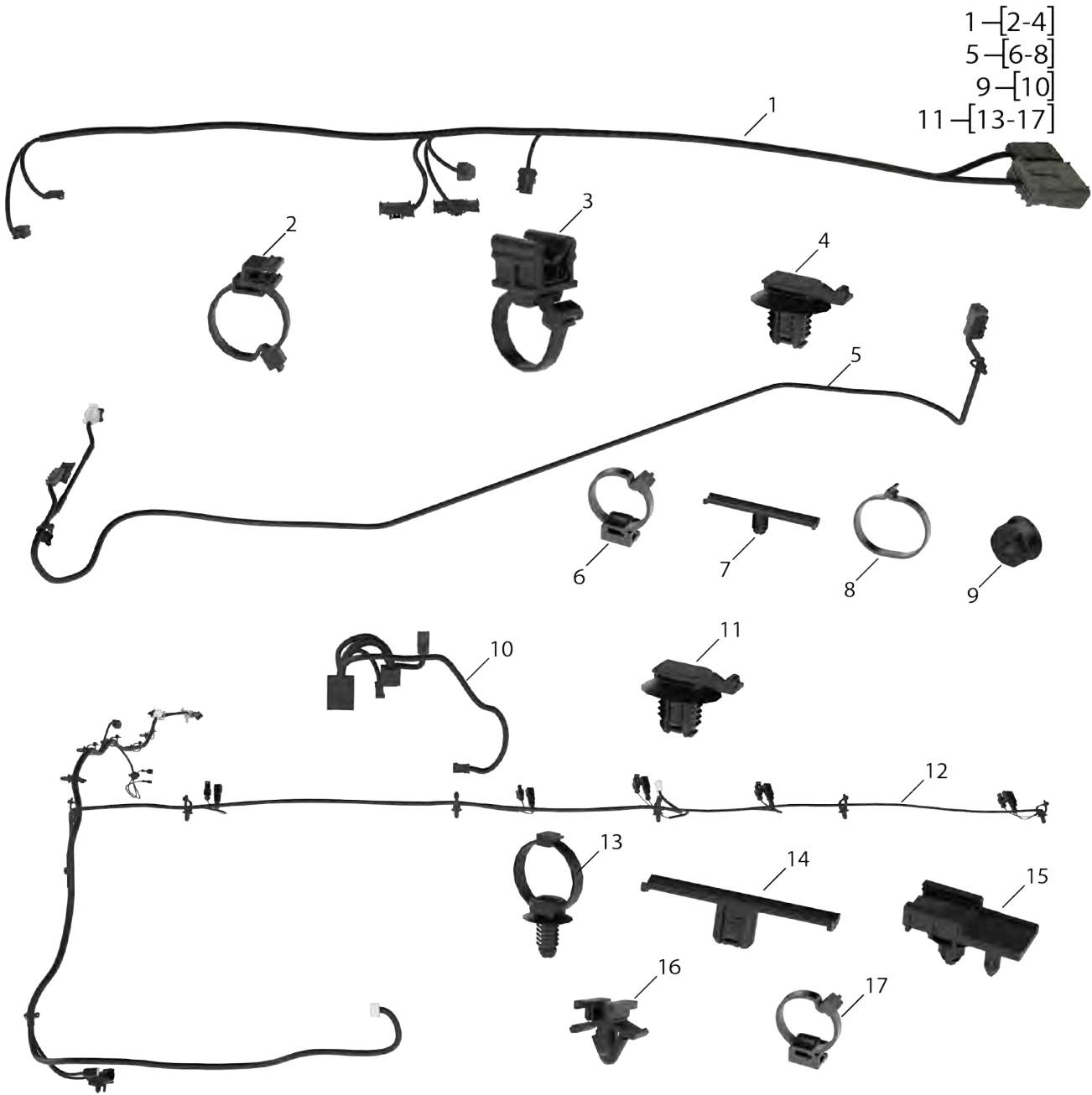
Table 178. WIRING,CAB,NGDV,ICE,FWD

Item Number	Part Number	Description	Quantity	Primary Source
1	U524AA	WIRE HARN,CAB,PWR INTERFACE,REFER TO VIN	1	Oshkosh Defense
1	U524AB	WIRE HARN ASSY,CAB, POWER,INTRF,NIX,REFER TO VIN	1	Oshkosh Defense
2	U5241A	WIRE HARN,CAB,UPPER REFER TO VIN	1	Oshkosh Defense
2	U5241B	WIRE HARN,CAB, UPPER,NXX,REFER TO VIN	1	Oshkosh Defense
3	U524XA	WIRE HARN,CAB,DASH, MAIN,REFER TO VIN	1	Oshkosh Defense
3	U524XB	WIRE HARN,CAB,DASH, MAIN,NXX,REFER TO VIN	1	Oshkosh Defense
4	U524QA	WIRE HARN,DASH,RH PANEL	1	Oshkosh Defense
5	U2763A	MOUNTING BASE,TIE TIEDOWN,ELECTRICAL	2	Oshkosh Defense
6	U523ZA	STRAP,TIEDOWN, ELECTRICAL COMPONENTS	1	Oshkosh Defense
7	U132AA	STRAP,TIEDOWN, ELECTRICAL COMPONENTS	3	Oshkosh Defense
8	U1407A	MOUNT,FIR TREE, TAPE-ON	1	Oshkosh Defense
9	U5250A	WIRE HARN,CAB,SIDE	1	Oshkosh Defense
10	U2763A	MOUNTING BASE,TIE TIEDOWN,ELECTRICAL	14	Oshkosh Defense
11	U1407A	MOUNT,FIR TREE, TAPE-ON	1	Oshkosh Defense
12	U5251A	CLIP,DT RECEIPT	1	Oshkosh Defense
13	U5252A	PUSHPIN,BRB,CONN MTG	1	Oshkosh Defense
14	U523ZA	STRAP,TIEDOWN, ELECTRICAL COMPONENTS	1	Oshkosh Defense
15	U526EA	WIRE HARN,CAB, MODULE INTERFACE	1	Oshkosh Defense
16	U2763A	MOUNTING BASE,TIE TIEDOWN,ELECTRICAL	4	Oshkosh Defense
17	U523ZA	STRAP,TIEDOWN, ELECTRICAL COMPONENTS	2	Oshkosh Defense
18	U524TA	PUSHPIN,BRB,CONN MTG	2	Oshkosh Defense
19	U522DA	CABLE TIE 200X4.6 FT NY	2	Oshkosh Defense
20	U524UA	PUSHPIN,BRB,H-T, CONN MTG	1	Oshkosh Defense
21	U524WA	WIRE HARN,CAB,LOWER	1	Oshkosh Defense
22	U523ZA	STRAP,TIEDOWN, ELECTRICAL COMPONENTS	1	Oshkosh Defense
23	U1407A	MOUNT,FIR TREE, TAPE-ON	5	Oshkosh Defense
24	U420NA	TIE,CABLE ELECTRICAL COMPONENTS,11.41X.184	1	Oshkosh Defense
25	U340ZA	SCREW,CAP,SOCKET HEAD,M4-0.7X40 12.9 MB	8	Oshkosh Defense
26	U5254A	CABLE ASSY 90IN, USB,JMPR	1	Oshkosh Defense
27	U2763A	MOUNTING BASE,TIE TIEDOWN,ELECTRICAL	4	Oshkosh Defense
28	U524YA	TIE MOUNT,EDGE, W-TIE	1	Oshkosh Defense
29	U5253A	WIRE ASSY 8GA 16.8	1	Oshkosh Defense
30	U523ZA	STRAP,TIEDOWN, ELECTRICAL COMPONENTS	1	Oshkosh Defense
31	U523RA	WIRE HARN,CAB,CAM INTEGRATION	1	Oshkosh Defense
32	U1406A	PUSHPIN,BRB,CONN MTG	1	Oshkosh Defense
33	U523YA	WIRE HARN,CAB,UPPER SUB	1	Oshkosh Defense
34	U523ZA	STRAP,TIEDOWN, ELECTRICAL COMPONENTS	5	Oshkosh Defense
35	U5240A	STRAP,TIEDOWN, ELECTRICAL COMPONENTS	1	Oshkosh Defense
36	U1406A	PUSHPIN,BRB,CONN MTG	1	Oshkosh Defense
37	U523QA	SEAL,NONMETALLIC SPECIAL SHAPED SECTION,0.50X0.66	2	Oshkosh Defense
38	U523TA	BRKT,STDF,LOCK WIRI	1	Oshkosh Defense
39	U523SA	BRKT,STDF,HVAC RELO	1	Oshkosh Defense
40	U523UA	STRAP,LOOP,VELCRO	14	Oshkosh Defense
41	U523VA	CLIP,RATCHET,1.38-2	1	Oshkosh Defense
42	U5249A	BRKT,STDF,WHEELWELL	1	Oshkosh Defense
43	U02HFA	SCR,FLG,HEX M6-1.0X20 C10.9 MG	4	Oshkosh Defense
44	U421SA	NUT,FLG M6-1.0 C10 MG	1	Oshkosh Defense
45	U523WA	LABEL,INFO,MAIN FUSE,VY	1	Oshkosh Defense
46	U523XA	LABEL,INFO,AUX RELAY,VY	1	Oshkosh Defense
47	U5256A	BEZEL,AUTOMOTIVE TRIM	1	Oshkosh Defense
48	U5231A	GROMMET BLANK, NONMETALLIC .25X.70X.47 NY	1	Oshkosh Defense
49	U021CA	PUSHPIN,BRB .25X.69X.50	1	Oshkosh Defense
50	U522JA	PUSHPIN,BRB .19X.40X.62	1	Oshkosh Defense
51	U524ZA	BRKT,CONN ASSY,PAC MTG CLIP	2	Oshkosh Defense
52	U526FA	CLIP,TUBE 10-14 NY PUSH	1	Oshkosh Defense
53	U5257A	BRKT,STDF,CONN MOD	1	Oshkosh Defense
54	U132CA	SCREW,CAP,HEXAGON HEAD,M6-1.0X16 C10.9 MB	2	Oshkosh Defense

Table 178. WIRING,CAB,NGDV,ICE,FWD (continued)

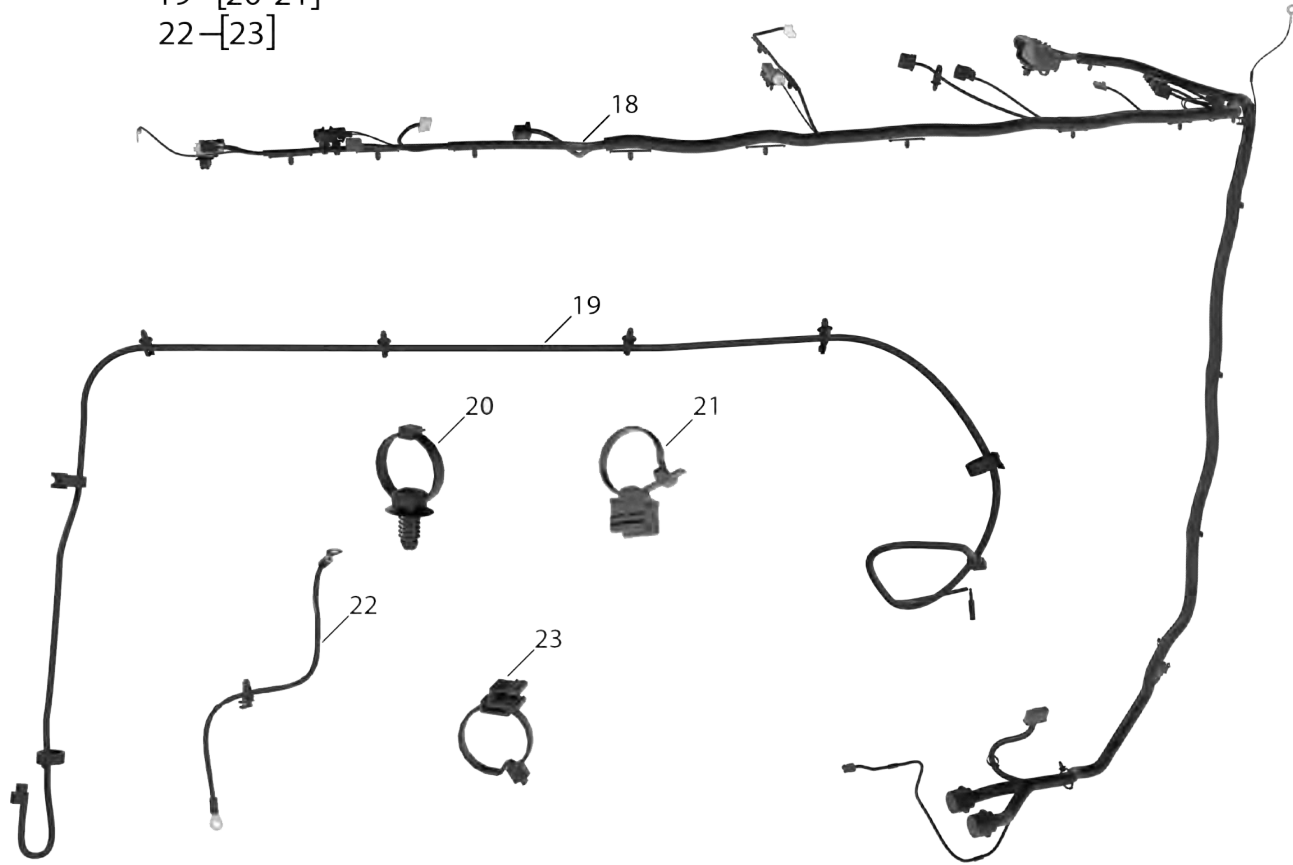
Item Number	Part Number	Description	Quantity	Primary Source
55	U024DA	NUT,SPL 4.2-5.0MM 9.25-9.50 PL	2	Oshkosh Defense
56	U5258A	SCR,PAN,XR 0.44X0.75 PO	2	Oshkosh Defense
57	U5259A	CLIP,LOCK-OMEGA 20-25MM NY	4	Oshkosh Defense
58	U0125A	SCR,WASH,HEX,TF M6-1.00X16 ZP	2	Oshkosh Defense
59	U525AA	STUD,GND M8-1.25X26 DP AL	5	Oshkosh Defense
60	U5222A	STUD,GND M8-1.25X13 C8.8 ST	2	Oshkosh Defense
61	U525BA	GROM,MULT,FR PLATE, SPL	1	Oshkosh Defense
62	U525CA	GROM,MULT,BACK PLATE,SPL	1	Oshkosh Defense
63	U525DA	GROM,MULT,FR PLATE, SPL	1	Oshkosh Defense
64	U525EA	GROM,MULT,BACK PLATE,SPL	1	Oshkosh Defense
65	U525FA	WASHER BLANK #8X.44X.05 ZP	2	Oshkosh Defense
66	U529LA	GSKT,RND 103X116X3	1	Oshkosh Defense
67	U529MA	GSKT,RND 141X73X3	1	Oshkosh Defense
68	U02G7A	SCR,FLG,HEX M5-0.8X16 C10.9 MB	1	Oshkosh Defense
69	U529PA	BRKT,STDF,DASH INTRF,WLDMT	1	Oshkosh Defense
70	U529QA	BRKT,MTG,WIRE HARN, WLDMT	1	Oshkosh Defense

WIRING,CAB,NGDV,BEV

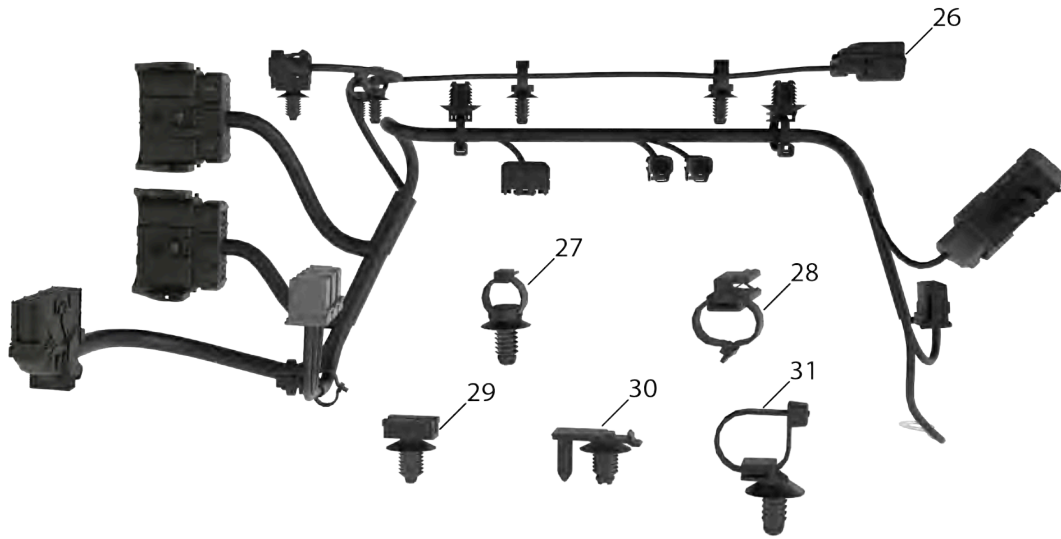
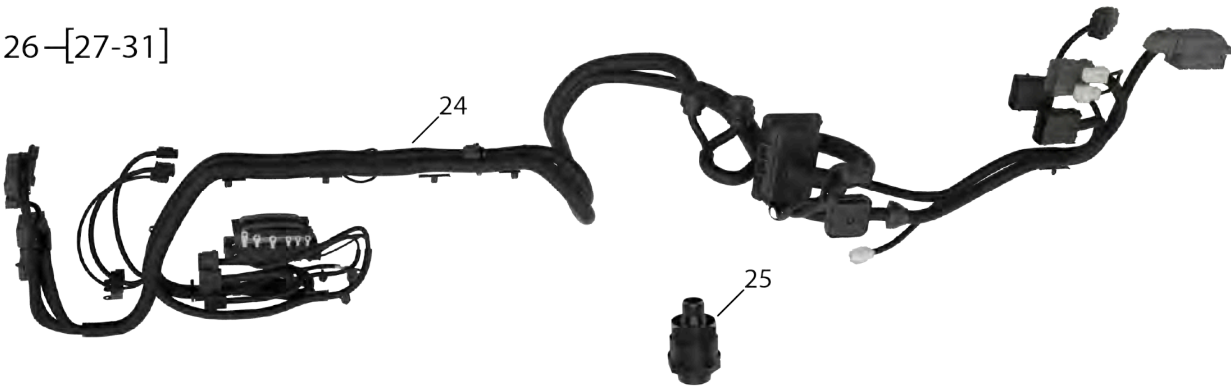


WIRING,CAB,NGDV,BEV

19-[20-21]
22-[23]



26-[27-31]



WIRING,CAB,NGDV,BEV



WIRING

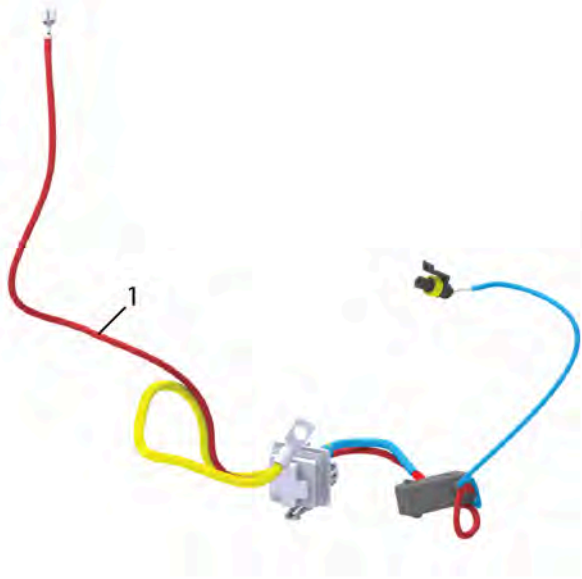
Table 179. WIRING,CAB,NGDV,BEV

Item Number	Part Number	Description	Quantity	Primary Source
1	U523YA	WIRE HARN,CAB,UPPER SUB	1	Oshkosh Defense
2	U523ZA	STRAP,TIEDOWN, ELECTRICAL COMPONENTS	5	Oshkosh Defense
3	U5240A	STRAP,TIEDOWN, ELECTRICAL COMPONENTS	1	Oshkosh Defense
4	U1406A	PUSHPIN,BRB,CONN MTG	1	Oshkosh Defense
5	U524WA	WIRE HARN,CAB,LOWER	1	Oshkosh Defense
6	U523ZA	STRAP,TIEDOWN, ELECTRICAL COMPONENTS	1	Oshkosh Defense
7	U1407A	MOUNT,FIR TREE, TAPE-ON	5	Oshkosh Defense
8	U420NA	TIE,CABLE ELECTRICAL COMPONENTS,11.41X.184	1	Oshkosh Defense
9	U5222A	STUD,GND M8-1.25X13 C8.8 ST	2	Oshkosh Defense
10	U523RA	WIRE HARN,CAB,CAM INTEGRATION	1	Oshkosh Defense
11	U1406A	PUSHPIN,BRB,CONN MTG	1	Oshkosh Defense
12	U5250A	WIRE HARN,CAB,SIDE	1	Oshkosh Defense
13	U2763A	MOUNTING BASE,TIE TIEDOWN,ELECTRICAL	14	Oshkosh Defense
14	U1407A	MOUNT,FIR TREE, TAPE-ON	1	Oshkosh Defense
15	U5251A	CLIP,DT RECEIPT	1	Oshkosh Defense
16	U5252A	PUSHPIN,BRB,CONN MTG	1	Oshkosh Defense
17	U523ZA	STRAP,TIEDOWN, ELECTRICAL COMPONENTS	1	Oshkosh Defense
18	U5241A	WIRE HARN,CAB,UPPER REFER TO VIN	1	Oshkosh Defense
18	U5241B	WIRE HARN,CAB,UPPER,NXX,REFER TO VIN	1	Oshkosh Defense
19	U5254A	CABLE ASSY 90IN, USB,JMPR	1	Oshkosh Defense
20	U2763A	MOUNTING BASE,TIE TIEDOWN,ELECTRICAL	4	Oshkosh Defense
21	U524YA	TIE MOUNT,EDGE, W-TIE	1	Oshkosh Defense
22	U5253A	WIRE ASSY 8GA 16.8	1	Oshkosh Defense
23	U523ZA	STRAP,TIEDOWN, ELECTRICAL COMPONENTS	1	Oshkosh Defense
24	U527WA	WIRE HARN,CAB,PWR INTRF,NBX,REFER TO VIN	1	Oshkosh Defense
24	U527WB	WIRE HARN ASSY,CAB,POWER INTRF,NBX,REFER TO VIN	1	Oshkosh Defense
25	U525AA	STUD,GND M8-1.25X26 DP AL	4	Oshkosh Defense
26	U526EA	WIRE HARN,CAB,MODULE INTERFACE	1	Oshkosh Defense
27	U2763A	MOUNTING BASE,TIE TIEDOWN,ELECTRICAL	4	Oshkosh Defense
28	U523ZA	STRAP,TIEDOWN, ELECTRICAL COMPONENTS	2	Oshkosh Defense
29	U524UA	PUSHPIN,BRB,H-T,CONN MTG	1	Oshkosh Defense
30	U524TA	PUSHPIN,BRB,CONN MTG	2	Oshkosh Defense
31	U522DA	CABLE TIE 200X4.6 FT NY	2	Oshkosh Defense
32	U524QA	WIRE HARN,DASH,RH PANEL	1	Oshkosh Defense
33	U2763A	MOUNTING BASE,TIE TIEDOWN,ELECTRICAL	2	Oshkosh Defense
34	U523ZA	STRAP,TIEDOWN, ELECTRICAL COMPONENTS	1	Oshkosh Defense
35	U1407A	MOUNT,FIR TREE, TAPE-ON	1	Oshkosh Defense
36	U132AA	STRAP,TIEDOWN, ELECTRICAL COMPONENTS	3	Oshkosh Defense
37	U523QA	SEAL,NONMETALLIC SPECIAL SHAPED SECTION,0.50X0.66	2	Oshkosh Defense
38	U523SA	BRKT,STDF,HVAC RELO	1	Oshkosh Defense
39	U523TA	BRKT,STDF,LOCK WIRI	1	Oshkosh Defense
40	U523UA	STRAP,LOOP,VELCRO	14	Oshkosh Defense
41	U523VA	CLIP,RATCHET,1.38-2	1	Oshkosh Defense
42	U523WA	LABEL,INFO,MAIN FUSE,VY	1	Oshkosh Defense
43	U523XA	LABEL,INFO,AUX RELAY,VY	1	Oshkosh Defense
44	U5249A	BRKT,STDF,WHEELWELL	1	Oshkosh Defense
45	U421SA	NUT,FLG M6-1.0 C10 MG	1	Oshkosh Defense
46	U02HFA	SCR,FLG,HEX M6-1.0X20 C10.9 MG	4	Oshkosh Defense
47	U5231A	GROMMET BLANK, NONMETALLIC .25X.70X.47 NY	1	Oshkosh Defense
48	U5256A	BEZEL,AUTOMOTIVE TRIM	1	Oshkosh Defense
49	U021CA	PUSHPIN,BRB .25X.69X.50	1	Oshkosh Defense
50	U522JA	PUSHPIN,BRB .19X.40X.62	1	Oshkosh Defense
51	U524ZA	BRKT,CONN ASSY,PAC MTG CLIP	2	Oshkosh Defense
52	U526FA	CLIP,TUBE 10-14 NY PUSH	1	Oshkosh Defense
53	U5257A	BRKT,STDF,CONN MOD	1	Oshkosh Defense
54	U1501A	SCR,FLG,HEX,DGP M8X20 C8.8 MG	1	Oshkosh Defense
55	U024DA	NUT,SPL 4.2-5.0MM 9.25-9.50 PL	2	Oshkosh Defense

Table 179. WIRING,CAB,NGDV,BEV (continued)

Item Number	Part Number	Description	Quantity	Primary Source
56	U5258A	SCR,PAN,XR 0.44X0.75 PO	2	Oshkosh Defense
57	U0125A	SCR,WASH,HEX,TF M6-1.00X16 ZP	2	Oshkosh Defense
58	U132CA	SCREW,CAP,HEXAGON HEAD,M6-1.0X16 C10.9 MB	2	Oshkosh Defense
59	U524XA	WIRE HARN,CAB,DASH, MAIN,REFER TO VIN	1	Oshkosh Defense
59	U524XB	WIRE HARN,CAB,DASH, MAIN,NXX,REFER TO VIN	1	Oshkosh Defense
60	U5259A	CLIP,LOCK-OMEGA 20-25MM NY	2	Oshkosh Defense
61	U525BA	GROM,MULT,FR PLATE, SPL	1	Oshkosh Defense
62	U525CA	GROM,MULT,BACK PLATE,SPL	1	Oshkosh Defense
63	U525DA	GROM,MULT,FR PLATE, SPL	1	Oshkosh Defense
64	U525EA	GROM,MULT,BACK PLATE,SPL	1	Oshkosh Defense
65	U340ZA	SCREW,CAP,SOCKET HEAD,M4-0.7X40 12.9 MB	8	Oshkosh Defense
66	U525FA	WASHER BLANK #8X.44X.05 ZP	2	Oshkosh Defense
67	U529LA	GSKT,RND 103X116X3	1	Oshkosh Defense
68	U529MA	GSKT,RND 141X73X3	1	Oshkosh Defense
69	U02G7A	SCR,FLG,HEX M5-0.8X16 C10.9 MB	1	Oshkosh Defense
70	U529QA	BRKT,MTG,WIRE HARN, WLDMT	1	Oshkosh Defense
71	U529PA	BRKT,STDF,DASH INTRF,WLDMT	1	Oshkosh Defense

WIRING, CHASSIS, EFAN



1-[2-3]



Table 180. WIRING,CHASSIS,EFAN

Item Number	Part Number	Description	Quantity	Primary Source
1	U5288A	WIRE HARN,CHAS,FAN REWIRE	1	Oshkosh Defense
2	U132AA	STRAP,TIEDOWN, ELECTRICAL COMPONENTS	1	Oshkosh Defense
3	U420NA	TIE,CABLE ELECTRICAL COMPONENTS,11.41X.184	4	Oshkosh Defense
4	U5286A	WIRE TIE,MOUNT, SWIVEL	1	Oshkosh Defense
5	U420NA	TIE,CABLE ELECTRICAL COMPONENTS,11.41X.184	10	Oshkosh Defense
6	U5287A	SCREW,CAP,SOCKET HEAD,M5-0.8X16 C10.9 MB	1	Oshkosh Defense
7	U132AA	STRAP,TIEDOWN, ELECTRICAL COMPONENTS	1	Oshkosh Defense



CHASSIS ELEC,NGDV

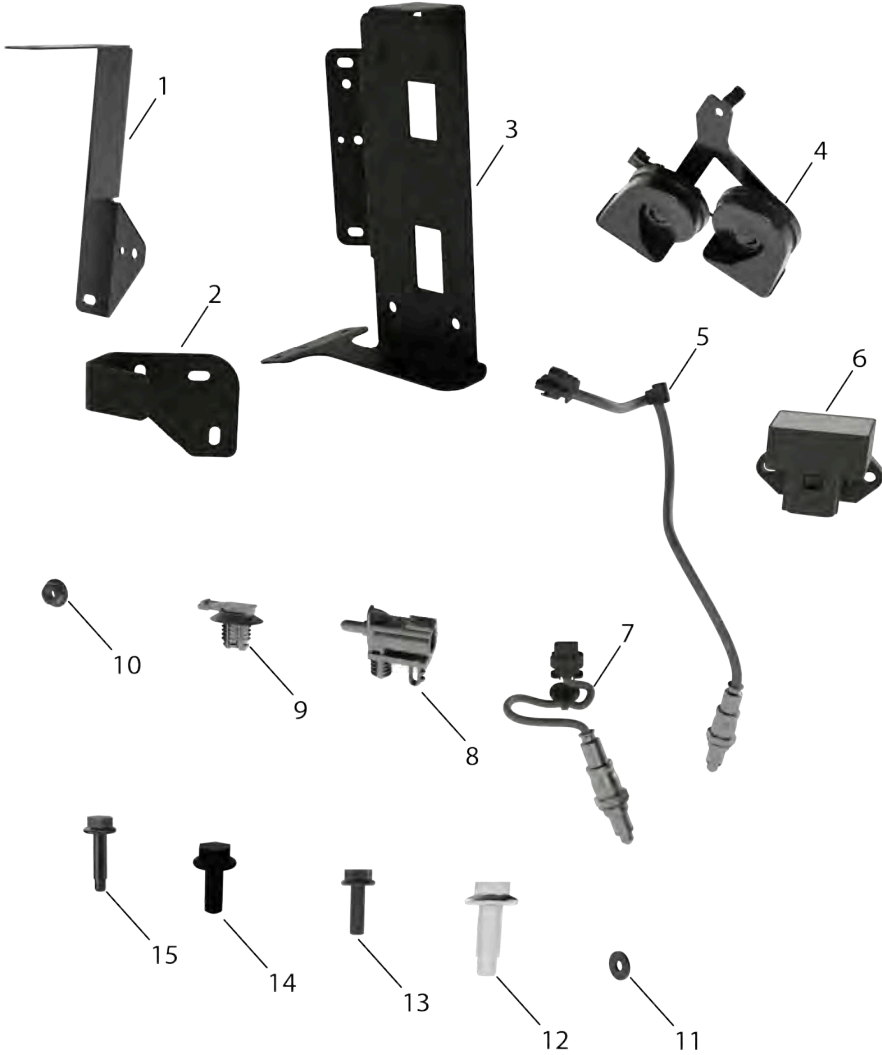


Table 181. CHASSIS ELEC,NGDV

Item Number	Part Number	Description	Quantity	Primary Source
1	U5297A	BRKT,STDF,CONN MTG WLDMT	1	Oshkosh Defense
2	U5299A	BRKT,O2 SENSOR	1	Oshkosh Defense
3	U5298A	BRKT,PCM MTG	1	Oshkosh Defense
4	U5295A	HORN,DUAL	1	Oshkosh Defense
5	U529AA	SNS ASY EXH GAS O UNIV UPSTREAM	1	Oshkosh Defense
6	U350RA	MODULE,VEH,FUEL PUMP CTRL	1	Oshkosh Defense
7	U430QA	SENSOR,O2,EXHAUST	1	Oshkosh Defense
8	U5296A	SENSOR,AMBIENT TEMP	1	Oshkosh Defense
9	U5294A	PUSHPIN,BRB,CONN MTG	1	Oshkosh Defense
10	U421SA	NUT,FLG M6-1.0 C10 MG	4	Oshkosh Defense
11	U4230A	WASHER,FLAT M6X18X1.6 MB	3	Oshkosh Defense
12	U5200A	SCR,FLG,HEX,DGP M6X20 C8.8 MG	2	Oshkosh Defense
13	U131KA	SCREW,CAP,HEXAGON HEAD,M6-1.0X20 C10.9 MB	1	Oshkosh Defense
14	U132CA	SCREW,CAP,HEXAGON HEAD,M6-1.0X16 C10.9 MB	4	Oshkosh Defense
15	U4202A	SCR,FLG,HEX,DGP M6X25 C8.8 MG	2	Oshkosh Defense

CHASSIS ELEC,NGDV-BEV

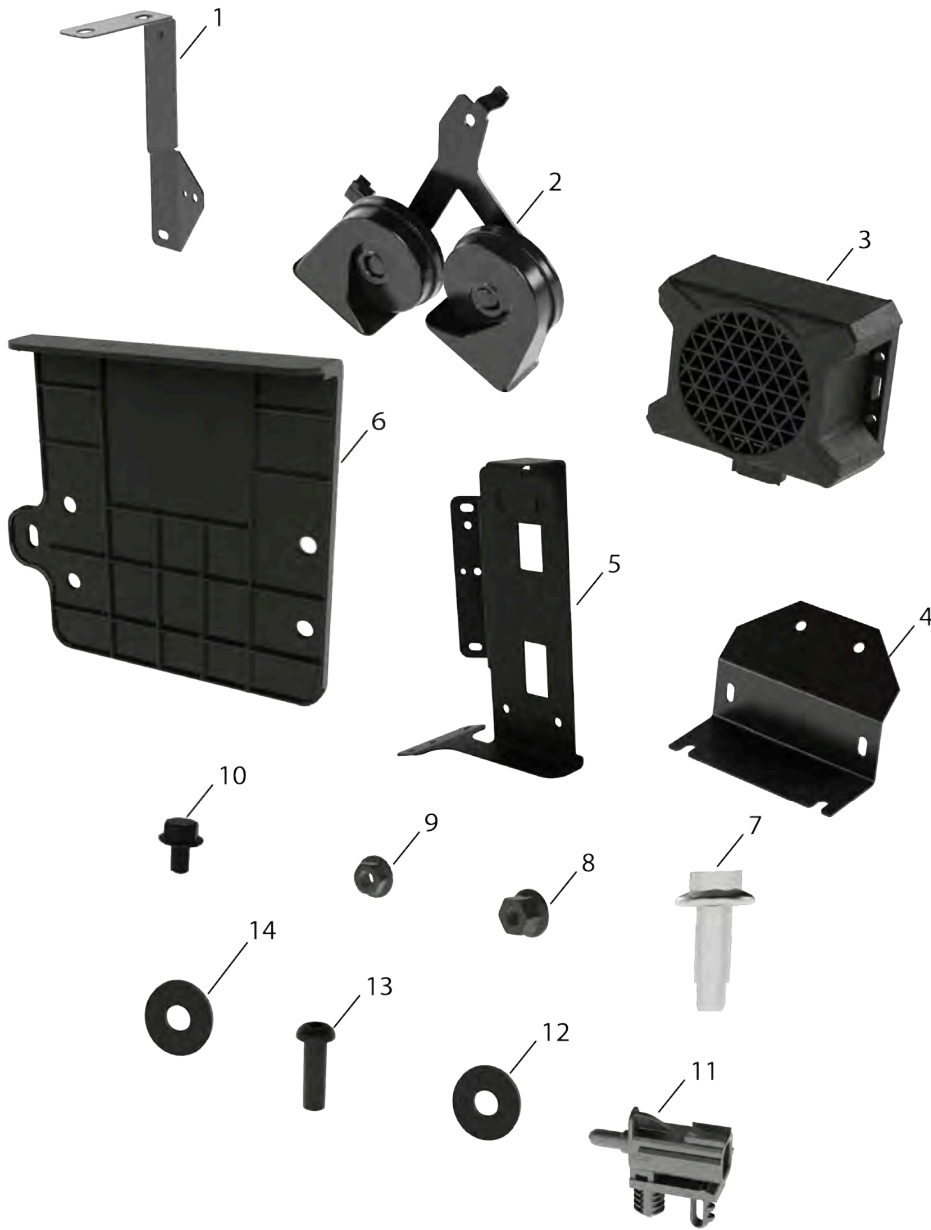


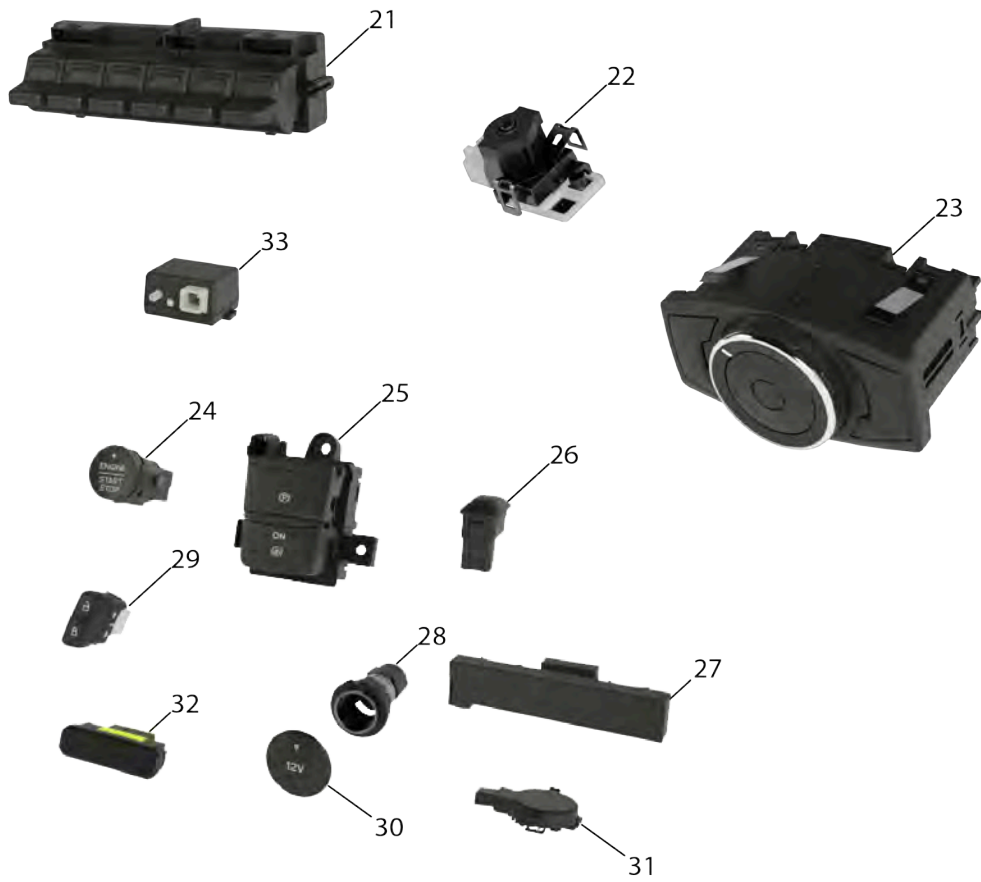
Table 182. CHASSIS ELEC,NGDV-BEV

Item Number	Part Number	Description	Quantity	Primary Source
1	U5297A	BRKT,STDF,CONN MTG WLDMT	1	Oshkosh Defense
2	U5295A	HORN,DUAL	1	Oshkosh Defense
3	U350VA	SPEAKER,AVAS, EXTERNAL	2	Oshkosh Defense
4	U529EA	BRKT,SPEAKER MTG, AVAS,REAR	1	Oshkosh Defense
5	U5298A	BRKT,PCM MTG	1	Oshkosh Defense
6	U529FA	BRKT,MTG,AVAS	1	Oshkosh Defense
7	U5200A	SCR,FLG,HEX,DGP M6X20 C8.8 MG	4	Oshkosh Defense
8	U340PA	NUT,PLAIN,EXTENDED WASHER,HEXAGON M5-0.8 C10	8	Oshkosh Defense
9	U421SA	NUT,FLG M6-1.0 C10 MG	3	Oshkosh Defense
10	U131KA	SCREW,CAP,HEXAGON HEAD,M6-1.0X20 C10.9 MB	3	Oshkosh Defense
11	U5296A	SENSOR,AMBIENT TEMP	1	Oshkosh Defense
12	U4230A	WASHER,FLAT M6X18X1.6 MB	3	Oshkosh Defense
13	U340NA	SCREW,CAP,SOCKET HEAD,M5-0.8X25 C10.9 MB	8	Oshkosh Defense
14	U340QA	WASHER,FLAT M5X15X1.2 MB	8	Oshkosh Defense

CAB ELEC,NGDV

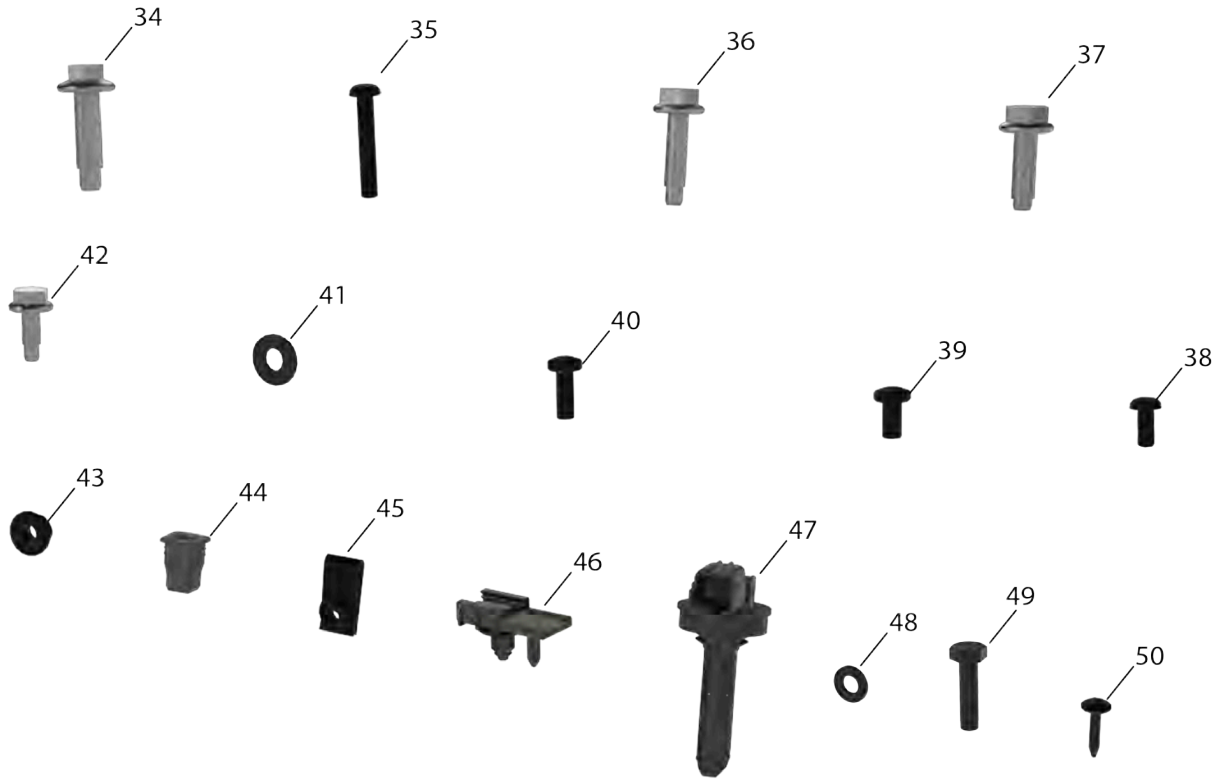


CAB ELEC,NGDV

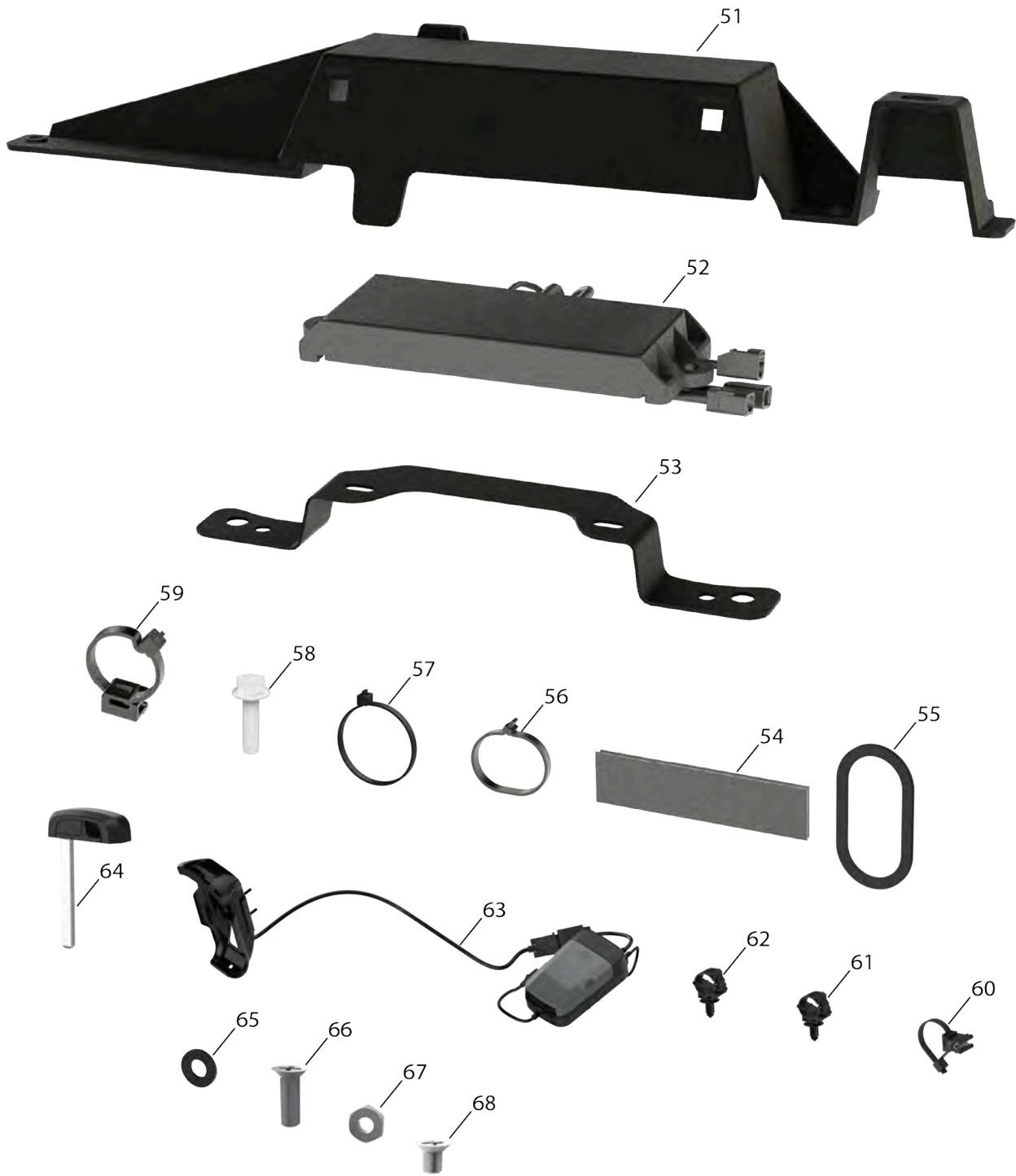


VEHICLE CONTROLS

CAB ELEC,NGDV



CAB ELEC,NGDV



VEHICLE CONTROLS

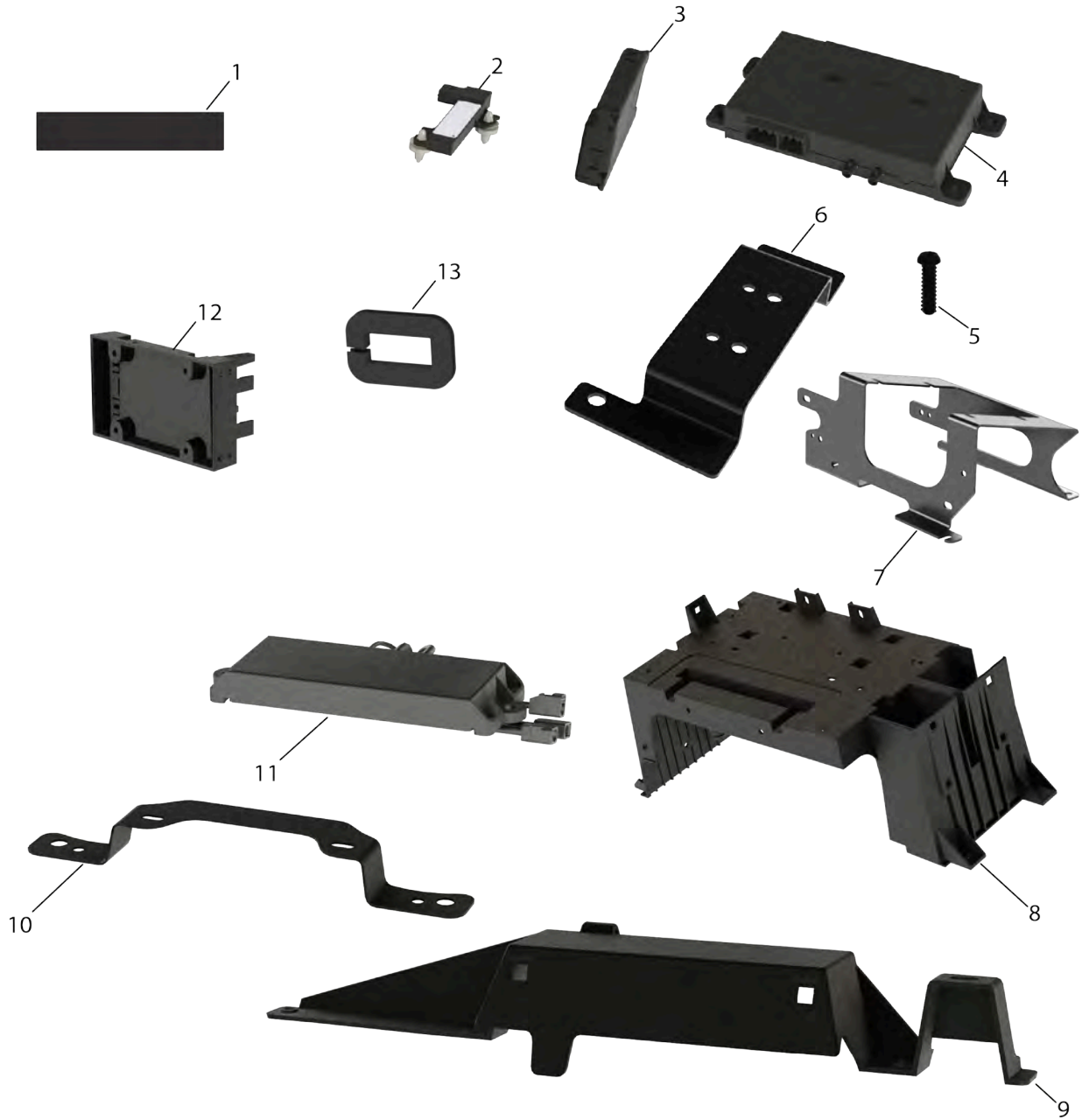
Table 183. CAB ELEC,NGDV

Item Number	Part Number	Description	Quantity	Primary Source
1	U5291A	TAPE,DUAL LOCK 250 88.9X25.4	2	Oshkosh Defense
2	U528HA	BRKT,MODULE,MOD BOX	1	Oshkosh Defense
3	U528JA	BRKT,HVAC,MODULES	1	Oshkosh Defense
4	U528NA	ANTENNA,KEYLESS RX	2	Oshkosh Defense
5	U350FA	MODULE,SECURITY SECURITYWIMPACTSNSR	1	Oshkosh Defense
6	U350PA	MODULE,VEH,CELL TRANSCEIVER	1	Oshkosh Defense
7	U5258A	SCR,PAN,XR #8-18X.88 IS ZP	20	Oshkosh Defense
8	U528FA	BRKT,STDF,RELAY MTG	1	Oshkosh Defense
9	U528LA	BRKT,STDF,CARGO INTERFACE	1	Oshkosh Defense
10	U528SA	WHEEL ASSY,STEERING	1	Oshkosh Defense
11	U528WA	SCR,SPL,HEX M10-1.5X20 C10.9	1	Oshkosh Defense
12	U526TA	BEZEL,AUTOMOTIVE TRIM,0.032X0.125	1	Oshkosh Defense
13	U528CA	PLUG,HOLE,DASH	1	Oshkosh Defense
14	U350DA	SWITCH,RTRY,5PDT, MIRROR	1	Oshkosh Defense
15	U350LA	MODULE,FOB,KEYLESS	3	Oshkosh Defense
16	U528BA	BRKT,SPEAKER	1	Oshkosh Defense
17	U528GA	SPEAKER,4IN,ROUND	1	Oshkosh Defense
18	U528EA	PEDAL,ACCELERATOR	1	Oshkosh Defense
19	U528KA	BRKT,USB,HUB	1	Oshkosh Defense
20	U350JA	SWITCH,LIMIT,SPST, BRAKE	1	Oshkosh Defense
21	U350KA	SWITCH ASSY,TGL, ACCESS	1	Oshkosh Defense
22	U350MA	SENSOR,TEMP-HUMID, AMB AIR	1	Oshkosh Defense
23	U3417A	SWITCH,RTRY,LIGHT CTRL	1	Oshkosh Defense
24	U350QA	SWITCH,PB,START	1	Oshkosh Defense
25	U350NA	SWITCH,PB,PARK BRAKE	1	Oshkosh Defense
26	U528MA	SENSOR,AUTOLAMP SUNLOAD	1	Oshkosh Defense
27	U528RA	ANTENNA,KEYLESS RX	1	Oshkosh Defense
28	U528PA	ACCESS OUT,12V	1	Oshkosh Defense
29	U350GA	SWITCH,PB,SPDT,DOOR U-L LH	1	Oshkosh Defense
30	U528QA	ACCESS OUT,12V CAP	1	Oshkosh Defense
31	U528TA	SENSOR,RAIN	1	Oshkosh Defense
32	U3416A	SWITCH,HAZARD	1	Oshkosh Defense
33	U350EA	SENSOR,TILT, ANTI-THEFT,12V	1	Oshkosh Defense
34	U130PA	SCR,FLG,HEX,DGP M6X16 C8.8 MG	6	Oshkosh Defense
35	U528DA	SCR,BTN,SOC,NY M5-0.8X30 MB	4	Oshkosh Defense
36	U4202A	SCR,FLG,HEX,DGP M6X25 C8.8 MG	9	Oshkosh Defense
37	U02HFA	SCR,FLG,HEX M6-1.0X20 C10.9 MG	3	Oshkosh Defense
38	U5289A	SCREW,CAP,SOCKET HEAD,M4-0.7X20 A2 SS	4	Oshkosh Defense
39	U528UA	SCR,PAN,TRX,TF M5-2.24X10 SPL	2	Oshkosh Defense
40	U528VA	SCR,PAN,TRX,TF M5-2.24X14 SPL	2	Oshkosh Defense
41	U525FA	WASHER BLANK #8X.44X.05 ZP	4	Oshkosh Defense
42	U5200A	SCR,FLG,HEX,DGP M6X20 C8.8 MG	2	Oshkosh Defense
43	U421SA	NUT,FLG M6-1.0 C10 MG	6	Oshkosh Defense
44	U024DA	NUT,SPL 4.2-5.0MM 9.25-9.50 PL	18	Oshkosh Defense
45	U528AA	NUT,U M4-0.7 0.8-4.0	4	Oshkosh Defense
46	U340DA	BRKT,CONN MTG, DEUTSCH DT	2	Oshkosh Defense
47	U350HA	SENSOR,TEMP,AIR	1	Oshkosh Defense
48	U340AA	WASHER,FLAT M4X9X0.8 MB	10	Oshkosh Defense
49	U026VA	SCREW,CAP,HEXAGON HEAD,M4-0.7X16 C8.8 MB	10	Oshkosh Defense
50	U522JA	PUSHPIN,BRB .19X.40X.62	2	Oshkosh Defense
51	U5290A	BRKT,SUPPORT,TCU ANTENNA	1	Oshkosh Defense
52	U528ZA	ANTENNA,TELEMATICS	1	Oshkosh Defense
53	U528YA	BRKT,CLUSTER,IP	1	Oshkosh Defense
54	U528XA	FASTENER TAPE,HOOK	2	Oshkosh Defense
55	U5256A	BEZEL,AUTOMOTIVE TRIM	1	Oshkosh Defense
56	U132KA	STRAP,TIEDOWN, ELECTRICAL COMPONENTS 7.31X.184	1	Oshkosh Defense
57	U420NA	TIE,CABLE ELECTRICAL COMPONENTS,11.41X.184	1	Oshkosh Defense
58	U010TA	BOLT,MACHINE M8-1.25X30 C10.9 MB	2	Oshkosh Defense

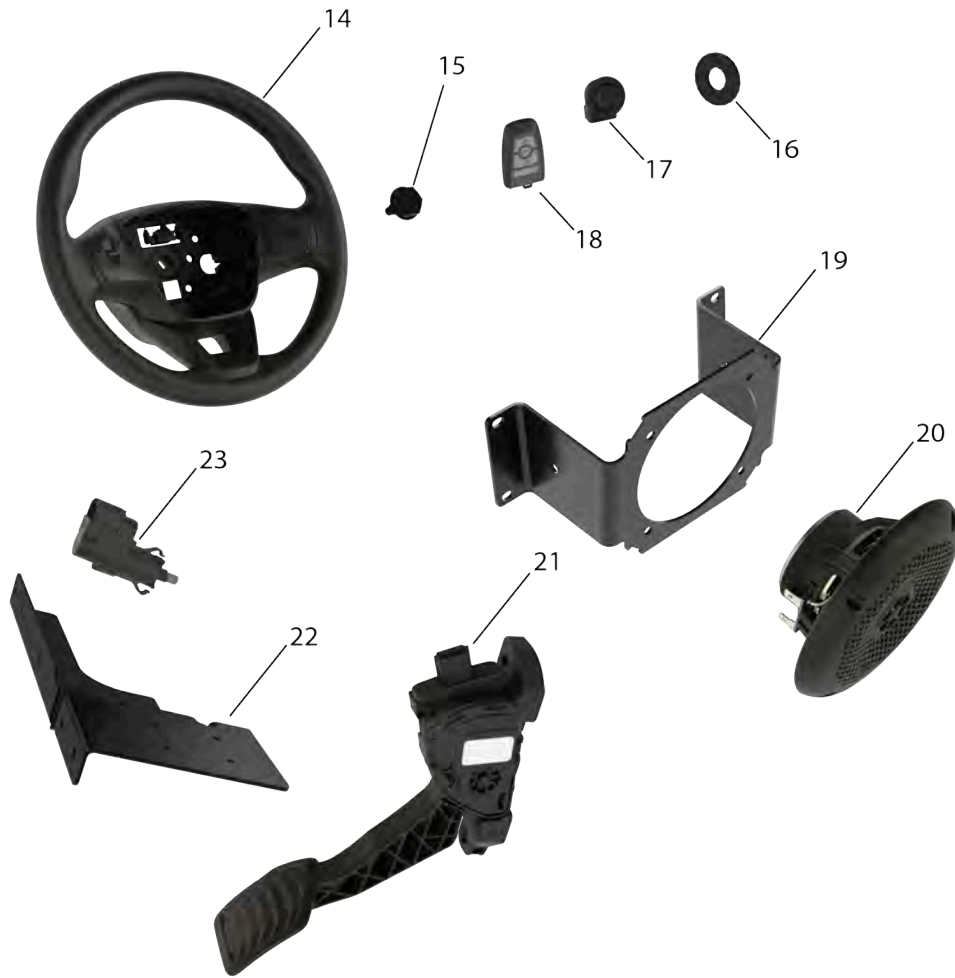
Table 183. CAB ELEC,NGDV (continued)

Item Number	Part Number	Description	Quantity	Primary Source
59	U523ZA	STRAP,TIEDOWN, ELECTRICAL COMPONENTS	2	Oshkosh Defense
60	U132AA	STRAP,TIEDOWN, ELECTRICAL COMPONENTS	1	Oshkosh Defense
61	U526FA	CLIP,TUBE 10-14 NY PUSH	2	Oshkosh Defense
62	U3407A	CLIP,LOCKING-OMEGA 5-9MM NY	1	Oshkosh Defense
63	U5292A	CRADLE-PORT,MDD,USB HUB	1	Oshkosh Defense
64	U5293A	CAP,KEYFOB,BLANK	3	Oshkosh Defense
65	U52A4A	WASH,FLT M4X9X0.8 SS	4	Oshkosh Defense
66	U52A5A	SCR,FLT,XR,NY M4-0.7X12 A2 SS	4	Oshkosh Defense
67	U52A6A	NUT,JAM M4-0.70 A2 SS	4	Oshkosh Defense
68	U52A7A	SCR,FLT,XR,NY M4-0.7X6 A2 SS	4	Oshkosh Defense

CAB ELEC,NGDV-BEV

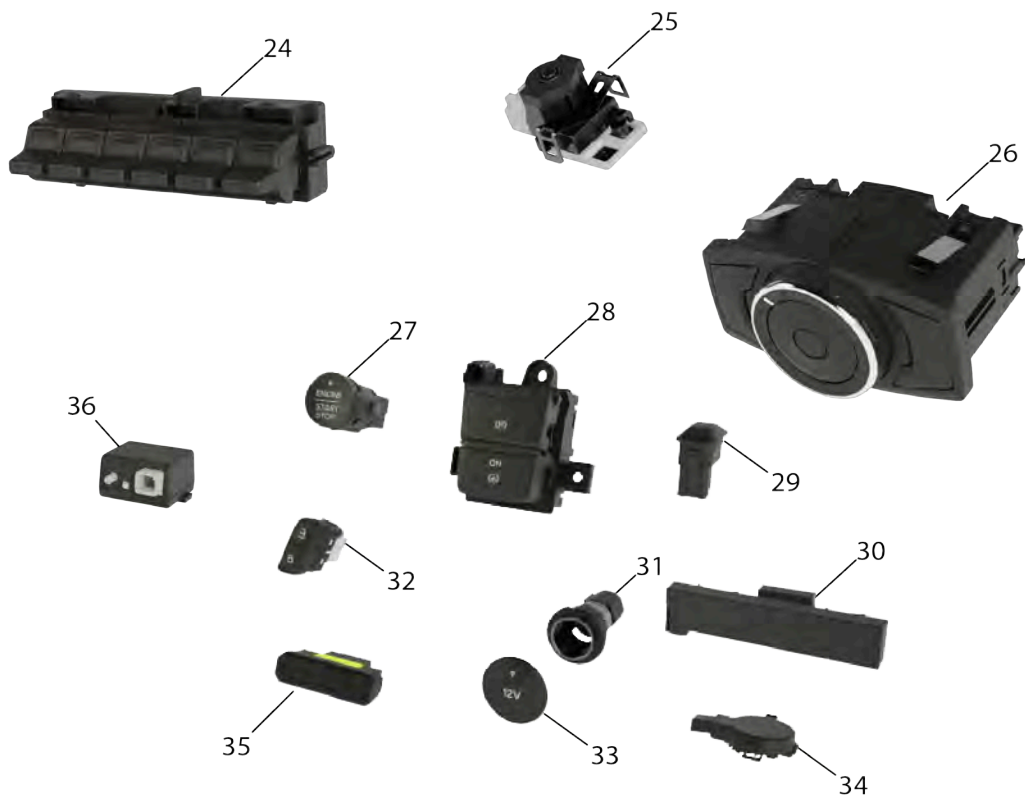


CAB ELEC,NGDV-BEV

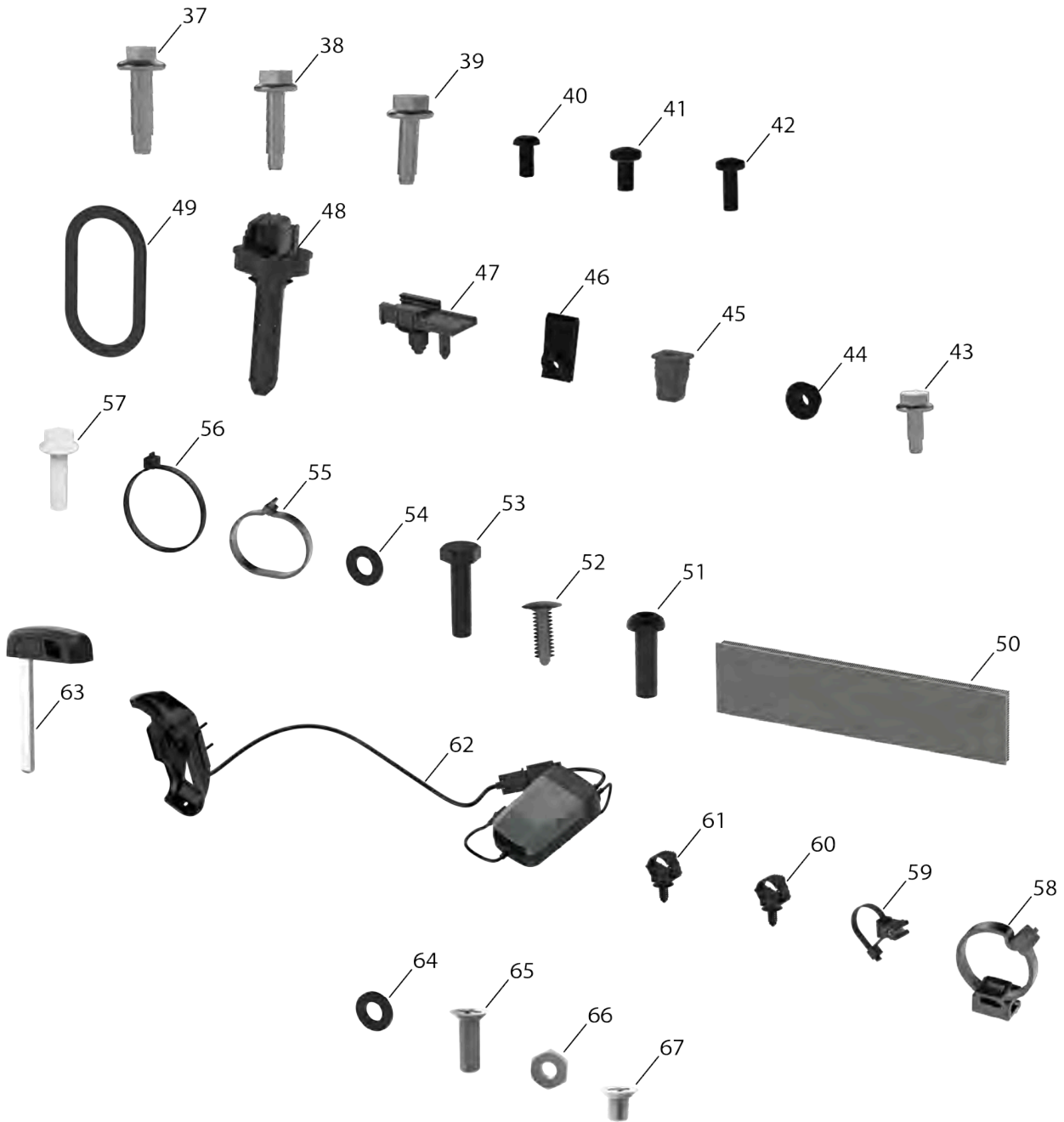


VEHICLE CONTROLS

CAB ELEC,NGDV-BEV



CAB ELEC,NGDV-BEV



VEHICLE CONTROLS

Table 184. CAB ELEC,NGDV-BEV

Item Number	Part Number	Description	Quantity	Primary Source
1	U5291A	TAPE,DUAL LOCK 250 88.9X25.4	2	Oshkosh Defense
2	U528NA	ANTENNA,KEYLESS RX	2	Oshkosh Defense
3	U350FA	MODULE,SECURITY SECURITYWIMPACTSNSR	1	Oshkosh Defense
4	U350PA	MODULE,VEH,CELL TRANSCEIVER	1	Oshkosh Defense
5	U5258A	SCR,PAN,XR #8-18X.88 IS ZP	22	Oshkosh Defense
6	U528LA	BRKT,STDF,CARGO INTERFACE	1	Oshkosh Defense
7	U528FA	BRKT,STDF,RELAY MTG	1	Oshkosh Defense
8	U528JA	BRKT,HVAC,MODULES	1	Oshkosh Defense
9	U5290A	BRKT,SUPPORT,TCU ANTENNA	1	Oshkosh Defense
10	U528YA	BRKT,CLUSTER,IP	1	Oshkosh Defense
11	U528ZA	ANTENNA,TELEMATICS	1	Oshkosh Defense
12	U528HA	BRKT,MODULE,MOD BOX	1	Oshkosh Defense
13	U526TA	BEZEL,AUTOMOTIVE TRIM,0.032X0.125	1	Oshkosh Defense
14	U528SA	WHEEL ASSY,STEERING	1	Oshkosh Defense
15	U528WA	SCR,SPL,HEX M10-1.5X20 C10.9	1	Oshkosh Defense
16	U525FA	WASHER BLANK #8X.44X.05 ZP	6	Oshkosh Defense
17	U350DA	SWITCH,RTRY,5PDT, MIRROR	1	Oshkosh Defense
18	U350LA	MODULE,FOB,KEYLESS	3	Oshkosh Defense
19	U528BA	BRKT,SPEAKER	1	Oshkosh Defense
20	U528GA	SPEAKER,4IN,ROUND	1	Oshkosh Defense
21	U528EA	PEDAL,ACCELERATOR	1	Oshkosh Defense
22	U528KA	BRKT,USB,HUB	1	Oshkosh Defense
23	U350JA	SWITCH,LIMIT,SPST, BRAKE	1	Oshkosh Defense
24	U350KA	SWITCH ASSY,TGL, ACCESS	1	Oshkosh Defense
25	U350MA	SENSOR,TEMP-HUMID, AMB AIR	1	Oshkosh Defense
26	U3417A	SWITCH,RTRY,LIGHT CTRL	1	Oshkosh Defense
27	U350UA	SWITCH,PB,START	1	Oshkosh Defense
28	U350NA	SWITCH,PB,PARK BRAKE	1	Oshkosh Defense
29	U528MA	SENSOR,AUTOLAMP SUNLOAD	1	Oshkosh Defense
30	U528RA	ANTENNA,KEYLESS RX	1	Oshkosh Defense
31	U528PA	ACCESS OUT,12V	1	Oshkosh Defense
32	U350GA	SWITCH,PB,SPDT,DOOR U-L LH	1	Oshkosh Defense
33	U528QA	ACCESS OUT,12V CAP	1	Oshkosh Defense
34	U528TA	SENSOR,RAIN	1	Oshkosh Defense
35	U3416A	SWITCH,HAZARD	1	Oshkosh Defense
36	U350EA	SENSOR,TILT, ANTI-THEFT,12V	1	Oshkosh Defense
37	U130PA	SCR,FLG,HEX,DGP M6X16 C8.8 MG	6	Oshkosh Defense
38	U4202A	SCR,FLG,HEX,DGP M6X25 C8.8 MG	9	Oshkosh Defense
39	U02HFA	SCR,FLG,HEX M6-1.0X20 C10.9 MG	3	Oshkosh Defense
40	U5289A	SCREW,CAP,SOCKET HEAD,M4-0.7X20 A2 SS	4	Oshkosh Defense
41	U528UA	SCR,PAN,TRX,TF M5-2.24X10 SPL	2	Oshkosh Defense
42	U528VA	SCR,PAN,TRX,TF M5-2.24X14 SPL	2	Oshkosh Defense
43	U5200A	SCR,FLG,HEX,DGP M6X20 C8.8 MG	2	Oshkosh Defense
44	U421SA	NUT,FLG M6-1.0 C10 MG	6	Oshkosh Defense
45	U024DA	NUT,SPL 4.2-5.0MM 9.25-9.50 PL	18	Oshkosh Defense
46	U528AA	NUT,U M4-0.7 0.8-4.0	4	Oshkosh Defense
47	U340DA	BRKT,CONN MTG, DEUTSCH DT	2	Oshkosh Defense
48	U350HA	SENSOR,TEMP,AIR	1	Oshkosh Defense
49	U5256A	BEZEL,AUTOMOTIVE TRIM	1	Oshkosh Defense
50	U528XA	FASTENER TAPE,HOOK	2	Oshkosh Defense
51	U528DA	SCR,BTN,SOC,NY M5-0.8X30 MB	4	Oshkosh Defense
52	U522JA	PUSHPIN,BRB .19X.40X.62	2	Oshkosh Defense
53	U026VA	SCREW,CAP,HEXAGON HEAD,M4-0.7X16 C8.8 MB	10	Oshkosh Defense
54	U340AA	WASHER,FLAT M4X9X0.8 MB	10	Oshkosh Defense
55	U132KA	STRAP,TIEDOWN, ELECTRICAL COMPONENTS 7.31X.184	1	Oshkosh Defense
56	U420NA	TIE,CABLE ELECTRICAL COMPONENTS,11.41X.184	1	Oshkosh Defense
57	U010TA	BOLT,MACHINE M8-1.25X30 C10.9 MB	2	Oshkosh Defense
58	U523ZA	STRAP,TIEDOWN, ELECTRICAL COMPONENTS	2	Oshkosh Defense

Table 184. CAB ELEC,NGDV-BEV (continued)

Item Number	Part Number	Description	Quantity	Primary Source
59	U132AA	STRAP,TIEDOWN, ELECTRICAL COMPONENTS	1	Oshkosh Defense
60	U526FA	CLIP,TUBE 10-14 NY PUSH	2	Oshkosh Defense
61	U3407A	CLIP,LOCKING-OMEGA 5-9MM NY	1	Oshkosh Defense
62	U5292A	CRADLE-PORT,MDD,USB HUB	1	Oshkosh Defense
63	U5293A	CAP,KEYFOB,BLANK	3	Oshkosh Defense
64	U52A4A	WASH,FLT M4X9X0.8 SS	4	Oshkosh Defense
65	U52A5A	SCR,FLT,XR,NY M4-0.7X12 A2 SS	4	Oshkosh Defense
66	U52A6A	NUT,JAM M4-0.70 A2 SS	4	Oshkosh Defense
67	U52A7A	SCR,FLT,XR,NY M4-0.7X6 A2 SS	4	Oshkosh Defense

CARGO BODY ELEC,NGDV



Table 185. CARGO BODY ELEC,NGDV

Item Number	Part Number	Description	Quantity	Primary Source
1	U350SA	MODULE,FAN CONT,BLK	1	Oshkosh Defense
2	U350TA	SWITCH,PROX,SPDT, RUD	1	Oshkosh Defense
3	U529DA	ACTUATOR,MAG 28.5X19X6.3	1	Oshkosh Defense
4	U529BA	NUT,SELF-LOCKING, HEXAGON,M3-0.5 A2 SS	4	Oshkosh Defense
5	U529CA	WASHER,FLAT M3X9.0X.8 SS	4	Oshkosh Defense
6	U3408A	SCREW,MACHINE M3-0.5X12 A2 SS	4	Oshkosh Defense
7	U5289A	SCREW,CAP,SOCKET HEAD,M4-0.7X20 A2 SS	2	Oshkosh Defense

TRANSFER CASE SHIFT CONTROL



Table 186. TRANSFER CASE SHIFT CTRL

Item Number	Part Number	Description	Quantity	Primary Source
1	U5258A	SCR,PAN,XR #8-18X.88 IS ZP	4	Oshkosh Defense
2	U024DA	NUT,SPL 4.2-5.0MM 9.25-9.50 PL	4	Oshkosh Defense
3	U525FA	WASHER BLANK #8X.44X.05 ZP	4	Oshkosh Defense

MODULE, VCU

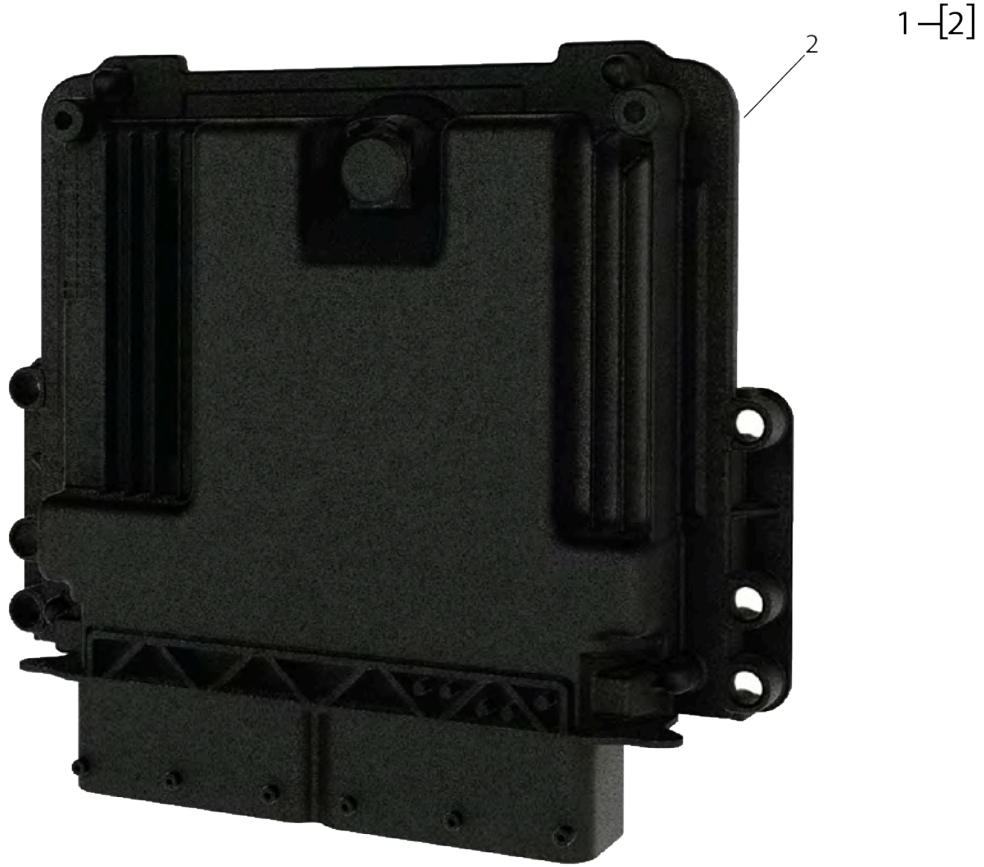


Table 187. MODULE,VCU

Item Number	Part Number	Description	Quantity	Primary Source
1	U351LA	MOD ASSY,ECU,VCU, VCU,NBF,PVER610,RT8	1	Oshkosh Defense
2	U350BA	MODULE,VEH CNTRL UNIT	1	Oshkosh Defense

MODULE, VEHICLE CONTROL

1-[2]

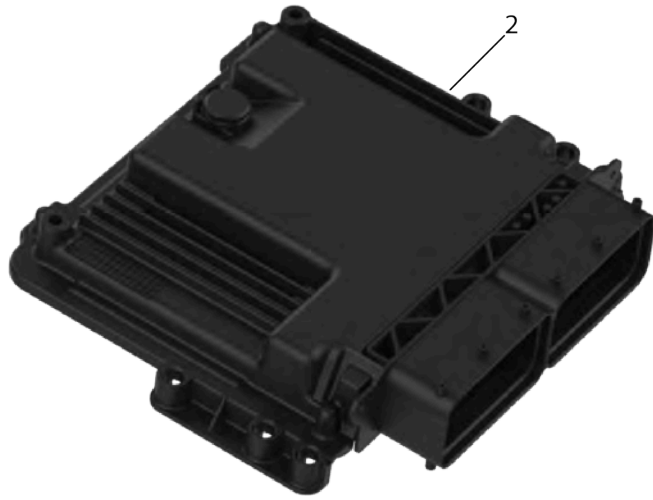


Table 188. MODULE,VEHICLE CONTROL

Item Number	Part Number	Description	Quantity	Primary Source
1	D011P611	MOD ASSY,ECU,VCU, VCU,NBA,PVER610,RT8	1	Oshkosh Defense
2	U350BA	MODULE,VEH CNTRL UNIT	1	Oshkosh Defense

MODULE ASSEMBLY, CONVERTER

1-[2]

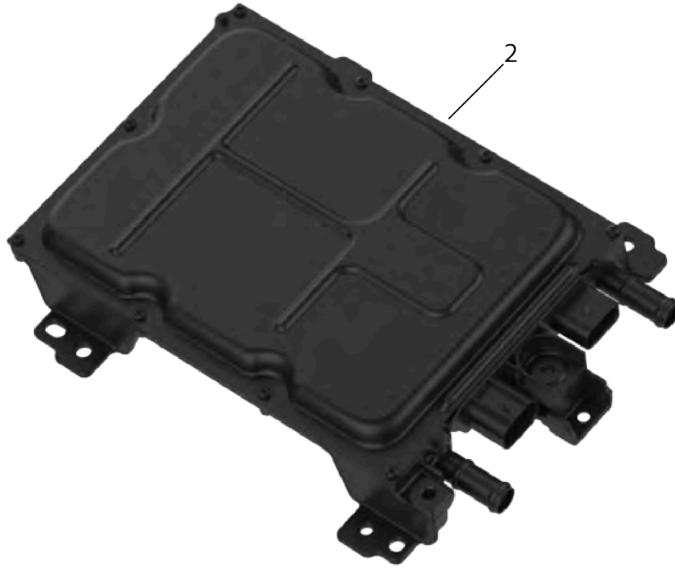


Table 189. MODULE ASSEMBLY, CONVERTER

Item Number	Part Number	Description	Quantity	Primary Source
1	D014N751	MODULE ASSY, ECU, DCDC, NBX, O300	1	Oshkosh Defense
2	U523NA	CONVERTER, DC-DC, 12V	1	Oshkosh Defense

MODULE, VEHICULAR, BODY, BEV, AWD

1-[2]

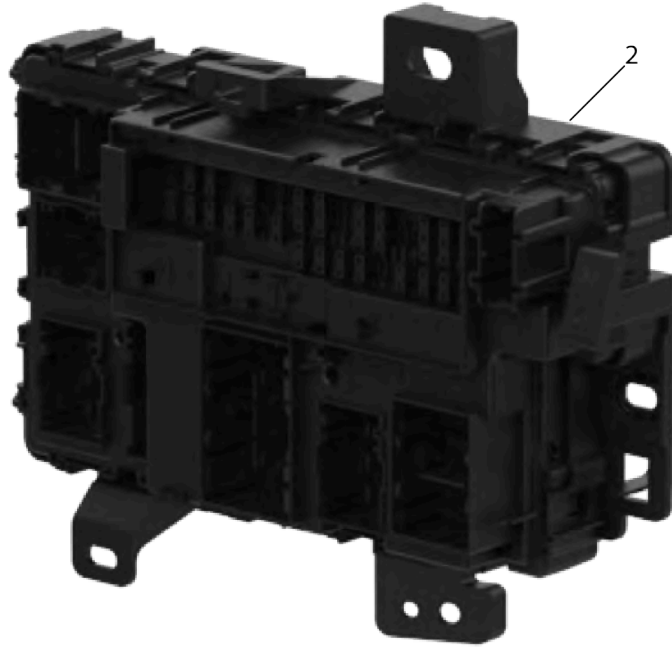


Table 190. MODULE,VEHICULAR,BODY,BEV,AWD

Item Number	Part Number	Description	Quantity	Primary Source
1	D014P229	MODULE ASSY,ECU, BCM,NBA	1	Oshkosh Defense
2	U350CA	MODULE,VEH,BODY CTRL	1	Oshkosh Defense

MODULE, VEHICULAR, BODY, BEV, FWD

1-[2]

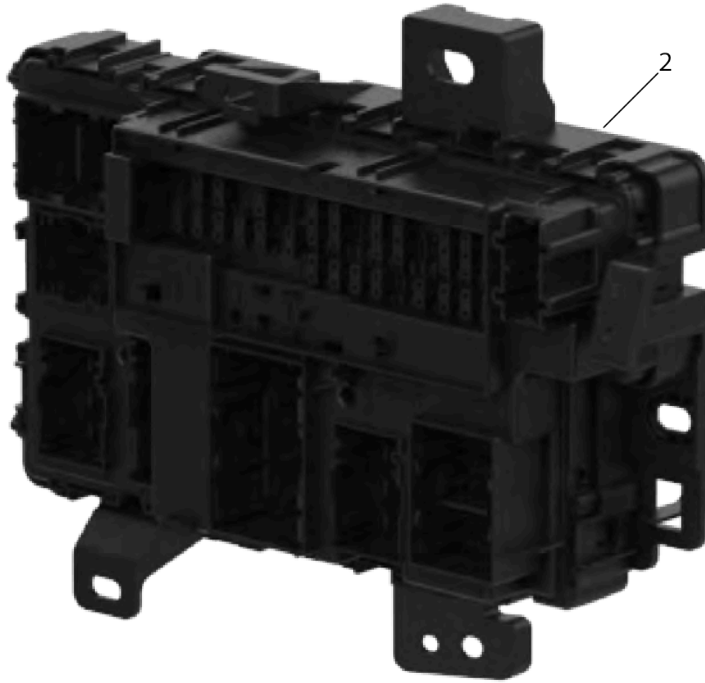


Table 191. MODULE,VEHICULAR,BODY,BEV,FWD

Item Number	Part Number	Description	Quantity	Primary Source
1	D014P228	MODULE ASSY,ECU, BCM,NBF	1	Oshkosh Defense
2	U350CA	MODULE,VEH,BODY CTRL	1	Oshkosh Defense

MODULE, VEHICULAR, BODY, ICE, AWD

1-[2]

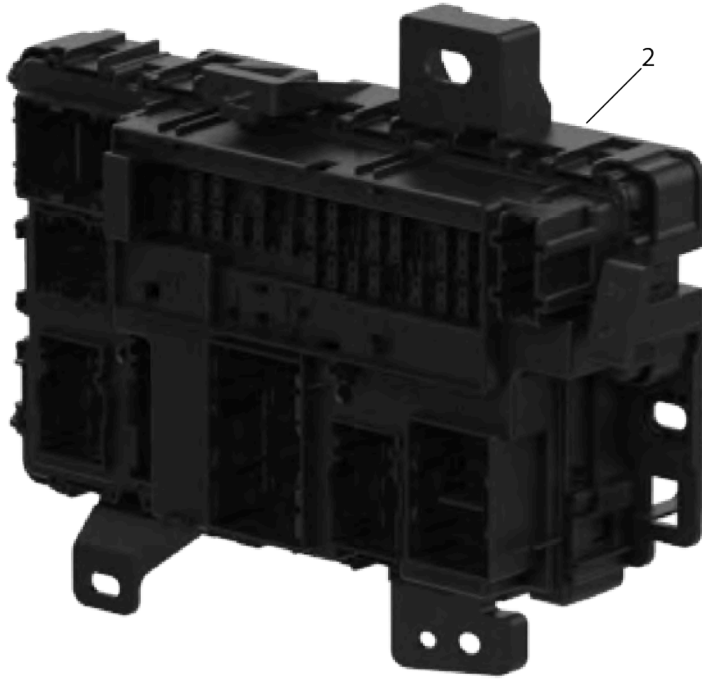


Table 192. MODULE,VEHICULAR,BODY,ICE,AWD

Item Number	Part Number	Description	Quantity	Primary Source
1	D014P227	MODULE ASSY,ECU, BCM,NIA	1	Oshkosh Defense
2	U350CA	MODULE,VEH,BODY CTRL	1	Oshkosh Defense

MODULE, VEHICULAR, BODY, ICE, FWD

1-[2]

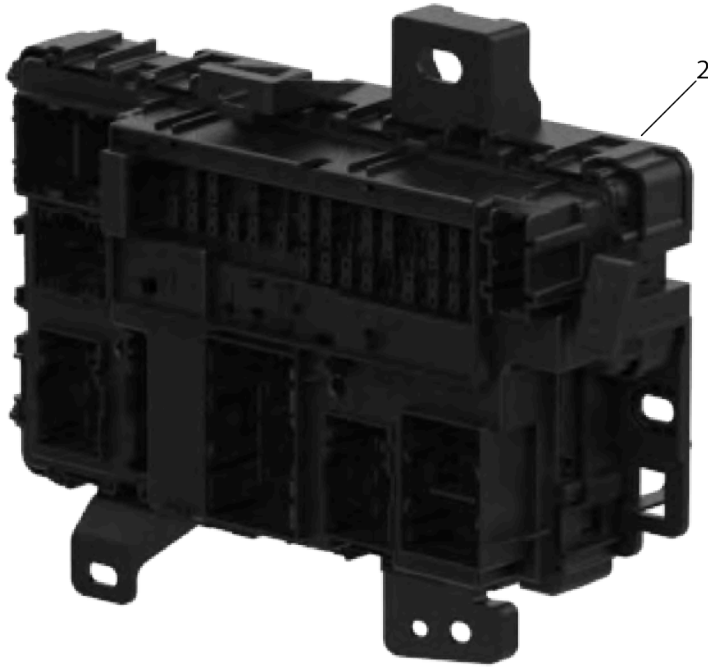


Table 193. MODULE,VEHICULAR,BODY,ICE,FWD

Item Number	Part Number	Description	Quantity	Primary Source
1	D014P226	MODULE ASSY,ECU, BCM,NIF	1	Oshkosh Defense
2	U350CA	MODULE,VEH,BODY CTRL	1	Oshkosh Defense

MODULE, PARK

1-[2]



Table 194. MODULE,PARK

Item Number	Part Number	Description	Quantity	Primary Source
1	D011U346	MODULE ASSY,ECU, PAM,NXX,5.0	1	Oshkosh Defense
2	U350XA	MODULE,ECU,PARK PILOT	1	Oshkosh Defense

MODULE, INTERFACE

1-[2]



Table 195. MODULE,INTERFACE

Item Number	Part Number	Description	Quantity	Primary Source
1	D014W741	MODULE ASSY,ECU, UIM,NXX	1	Oshkosh Defense
2	U3511A	MODULE,VEH,UPFITTER INTERFACE	1	Oshkosh Defense

Table 196. LABELS,ICE

Item Number	Part Number	Description	Quantity	Primary Source
1	U0205A	LABEL,INFO,DOT,NGDV,VY	1	Oshkosh Defense
2	U0206A	LABEL,VIN,UID,BLANK	1	Oshkosh Defense
3	U0207A	LABEL,AC INSTALLATION,VY	1	Oshkosh Defense
4	U0208A	LABEL,WARNING,AIRBAG DPLMT,VY	1	Oshkosh Defense
5	U0209A	LABEL,INFO,DOOR OPERATION	1	Oshkosh Defense
6	U020AA	LABEL,CAUTION,LATCH,VY	2	Oshkosh Defense
7	U020BA	LABEL,WARNING,PROP 65	1	Oshkosh Defense
8	U020CA	LABEL,CAUTION,BATTERY GASES	1	Oshkosh Defense
9	U020DA	LABEL,CAUTION,RAD FLUID	1	Oshkosh Defense
10	U020EA	LABEL,WARNING,MAX WEIGHT,VY	1	Oshkosh Defense
11	U020FA	LABEL,WARNING,KEEP CLOSED,VY	1	Oshkosh Defense
12	U020JA	LABEL,AWD TOW,FWD TOW	1	Oshkosh Defense
13	U020KA	LABEL,INFO,SHELF A,AL	1	Oshkosh Defense
14	U020LA	LABEL,INFO,SHELF B,AL	1	Oshkosh Defense
15	U020MA	LABEL,INFO,SHELF C,AL	1	Oshkosh Defense
16	U020GA	LABEL,WARNING,ROLL OVER,VY	1	Oshkosh Defense
17	U020QA	LABEL,VEH DATA,CARB ICE,PP	1	Oshkosh Defense
18	U020RA	LABEL,VEH DATA,FMVSS 210,VY	1	Oshkosh Defense
19	U020HA	LABEL,WARNING,NO STEP,VY	2	Oshkosh Defense
20	U020TA	LABEL,WARNING,SLIP HAZARD,VY	3	Oshkosh Defense
21	U020PA	LABEL,WARNING,MAIL TRAY,VY	1	Oshkosh Defense
22	U020NA	LABEL,UPFITTER SWITCHES,VY	1	Oshkosh Defense
23	U020SA	LABEL,WARNING,BATTERY 12V,VY	1	Oshkosh Defense

Table 197. LABELS, BEV

Item Number	Part Number	Description	Quantity	Primary Source
1	U0205A	LABEL,INFO,DOT,NGDV,VY	1	Oshkosh Defense
2	U0206A	LABEL,VIN,UID,BLANK	1	Oshkosh Defense
3	U0210A	LABEL,AC INSTALLATION,VY	1	Oshkosh Defense
4	U0208A	LABEL,WARNING,AIRBAG DPLMT,VY	1	Oshkosh Defense
5	U0209A	LABEL,INFO,DOOR OPERATION	1	Oshkosh Defense
6	U020JA	LABEL,AWD TOW,FWD TOW	1	Oshkosh Defense
7	U020BA	LABEL,WARNING,PROP 65	1	Oshkosh Defense
8	U020CA	LABEL,CAUTION,BATTERY GASES	1	Oshkosh Defense
9	U020DA	LABEL,CAUTION,RAD FLUID	1	Oshkosh Defense
10	U020EA	LABEL,WARNING,MAX WEIGHT,VY	1	Oshkosh Defense
11	U020AA	LABEL,CAUTION,LATCH,VY	2	Oshkosh Defense
12	U020FA	LABEL,WARNING,KEEP CLOSED,VY	1	Oshkosh Defense
13	U020KA	LABEL,INFO,SHELF A,AL	1	Oshkosh Defense
14	U020LA	LABEL,INFO,SHELF B,AL	1	Oshkosh Defense
15	U020MA	LABEL,INFO,SHELF C,AL	1	Oshkosh Defense
16	U020GA	LABEL,WARNING,ROLL OVER,VY	1	Oshkosh Defense
17	U020HA	LABEL,WARNING,NO STEP,VY	2	Oshkosh Defense
18	U0212A	LABEL,FIRST RESPONDER,VY	1	Oshkosh Defense
19	U020RA	LABEL,VEH DATA,FMVSS 210,VY	1	Oshkosh Defense
20	U0211A	LABEL,HV	2	Oshkosh Defense
21	U020PA	LABEL,WARNING,MAIL TRAY,VY	1	Oshkosh Defense
22	U020NA	LABEL,UPFITTER SWITCHES,VY	1	Oshkosh Defense
23	U020SA	LABEL,WARNING,BATTERY 12V,VY	1	Oshkosh Defense
24	U0213A	LABEL,EV MARKER	1	Oshkosh Defense
25	U020TA	LABEL,WARNING,SLIP HAZARD,VY	3	Oshkosh Defense
26	U0214A	LABEL,VEH DATA,CARB BEV,PP	1	Oshkosh Defense

DECALS, EXTERIOR, ICE

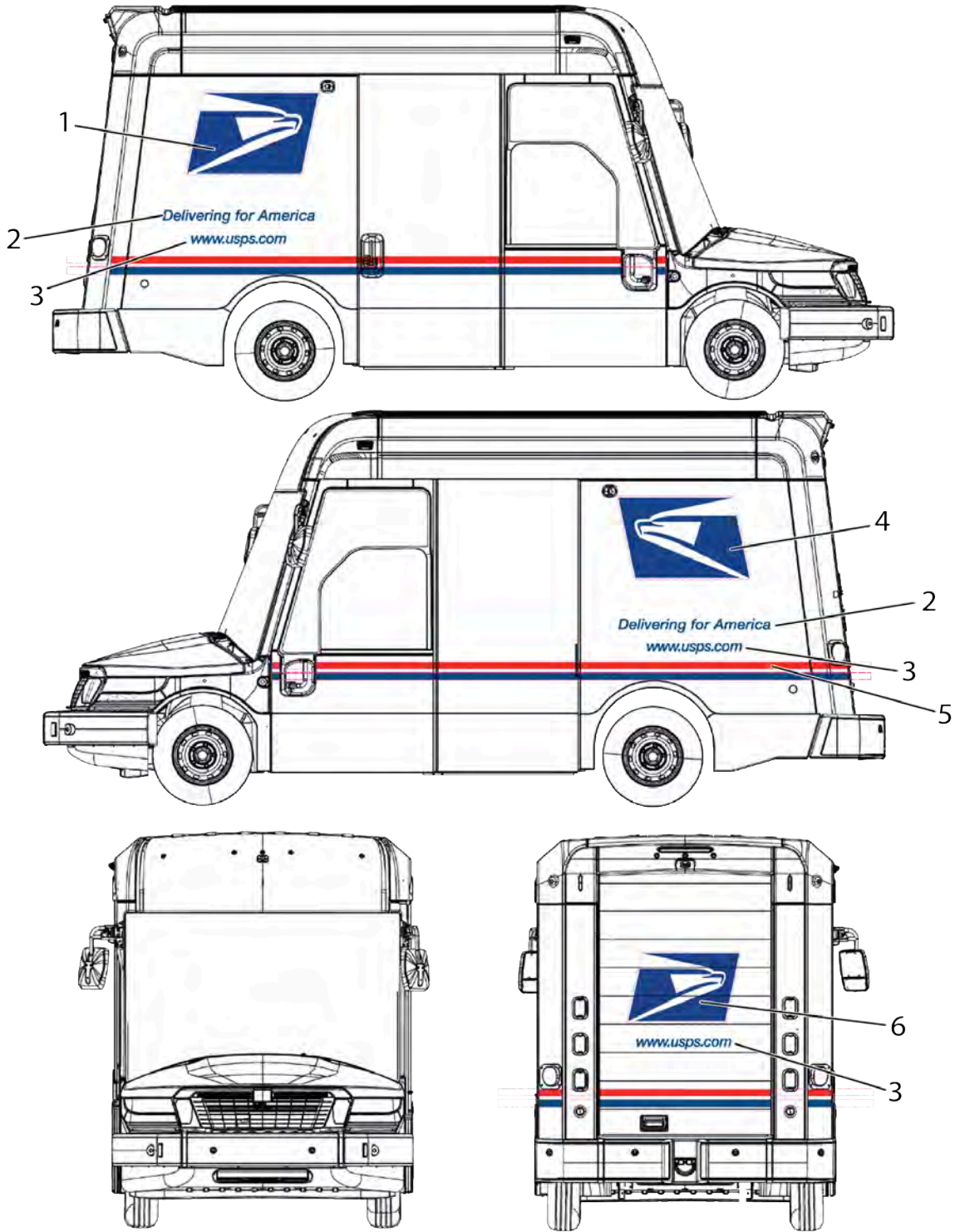


Table 198. DECALS,EXTERIOR,ICE

Item Number	Part Number	Description	Quantity	Primary Source
1	U020VA	DECAL,EAGLE, CURBSIDE	1	Oshkosh Defense
2	U020ZA	DECAL,DFA,MC	2	Oshkosh Defense
3	U020XA	DECAL,USPS DOT COM,	3	Oshkosh Defense
4	U020UA	DECAL,EAGLE, ROADSIDE	1	Oshkosh Defense
5	U020YA	DECAL,BELTLINE,MC	6	Oshkosh Defense
6	U020WA	DECAL,EAGLE,RR	1	Oshkosh Defense

DECALS, EXTERIOR BEV

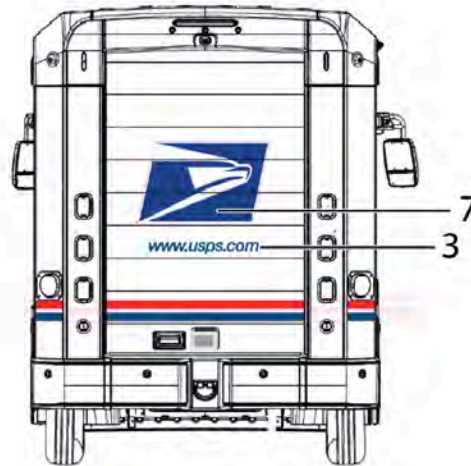
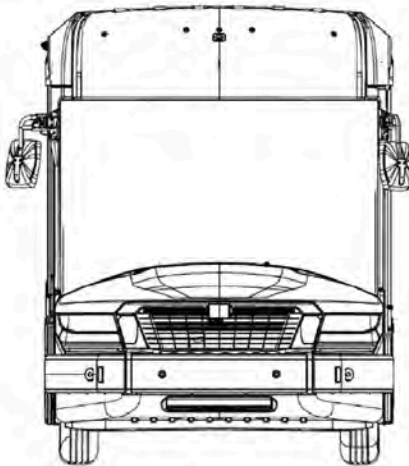
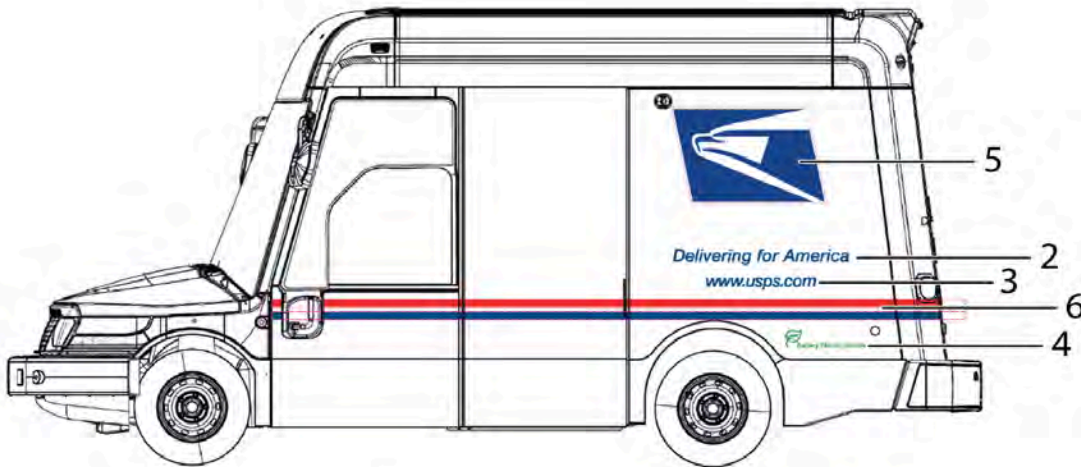
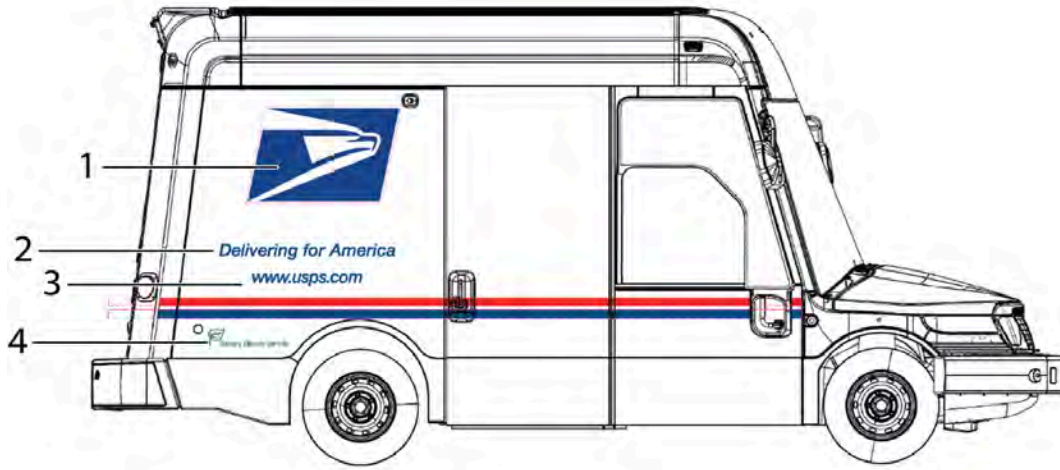




Table 199. DECALS,EXTERIOR BEV

Item Number	Part Number	Description	Quantity	Primary Source
1	U020VA	DECAL,EAGLE, CURBSIDE	1	Oshkosh Defense
2	U020ZA	DECAL,DFA,MC	2	Oshkosh Defense
3	U020XA	DECAL,USPS DOT COM,	3	Oshkosh Defense
4	U0215A	DECAL,BATTERY ELECTRIC	2	Oshkosh Defense
5	U020UA	DECAL,EAGLE, ROADSIDE	1	Oshkosh Defense
6	U020YA	DECAL,BELTLINE,MC	6	Oshkosh Defense
7	U020WA	DECAL,EAGLE,RR	1	Oshkosh Defense

DECALS, MY25, BEV, AWD

1

		OSHKOSH CORPORATION	
VEHICLE EMISSIONS CONTROL INFORMATION			
Conforms to Regulations:		2025 MY	
U.S. EPA:	T3B0 HDV 2b	Fuel:	ELECTRIC
California:	ZEV MDV	Fuel:	ELECTRIC
Test Group: SOSHD00.0NGZ			
Durability: SOSHEEVNBNB6			
		D004Y919	

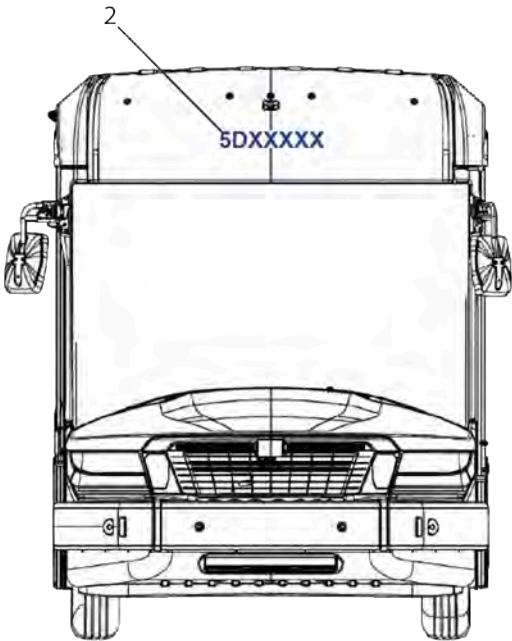


Table 200. DECALS,MY25,BEV,AWD

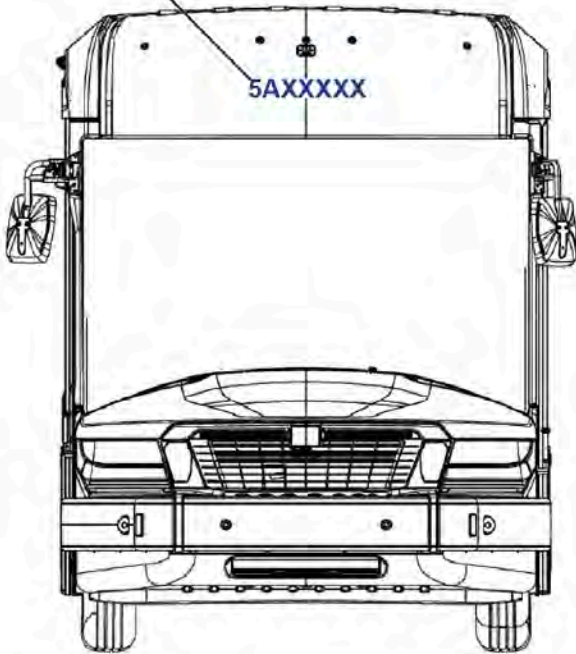
Item Number	Part Number	Description	Quantity	Primary Source
1	U0216A	LABEL,VEH DATA, EMSN,VY,BEV	1	Oshkosh Defense
2	U0217A	DECAL,BEV AWD,MY25, IDENTIFIER	2	Oshkosh Defense

DECALS, MY25, ICE, AWD

1

		<h2>OSHKOSH CORPORATION</h2> <h3>VEHICLE EMISSIONS CONTROL INFORMATION</h3>	
Conforms to Regulations:		2025 MY	
U.S. EPA:	T3B170 HDV 2b	Fuel:	GASOLINE
CA OBD II			
California:	SULEV170 MDV	Fuel:	GASOLINE
CA OBD II			
TWC(2)/H02S/WR-H02S/CAC/TC/EGR/EGRC/DFI/SFI			
Test Group:	SOSHD02.0NGF		5133657
Durability:	SOSHGPGNNEG5		
Evap/Refueling:	SOSHR0200NGF		

2



2



Table 201. DECALS,MY25,ICE,AWD

Item Number	Part Number	Description	Quantity	Primary Source
1	U0218A	LABEL,VEH DATA, EMSN,NGDV,VY	1	Oshkosh Defense
2	U0219A	DECAL,ICE AWD,MY25, IDENTIFIER	2	Oshkosh Defense

DECALS, MY25, ICE, FWD

1

		OSHKOSH CORPORATION VEHICLE EMISSIONS CONTROL INFORMATION	
Conforms to Regulations:		2025 MY	
U.S. EPA:	T3B170 HDV 2b	Fuel:	GASOLINE
CA OBD II			
California:	SULEV170 MDV	Fuel:	GASOLINE
CA OBD II			
TWC(2)/H02S/WR-H02S/CAC/TC/EGR/EGRC/DFI/SFI			
Test Group:	SOSHD02.0NGF		5133657
Durability:	SOSHGPGNNEG5		
Evap/Refueling:	SOSHR0200NGF		

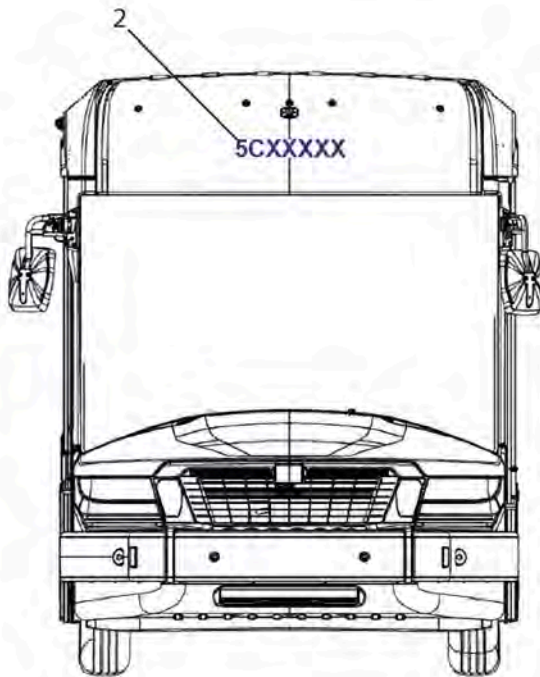




Table 202. DECALS,MY25,ICE,FWD

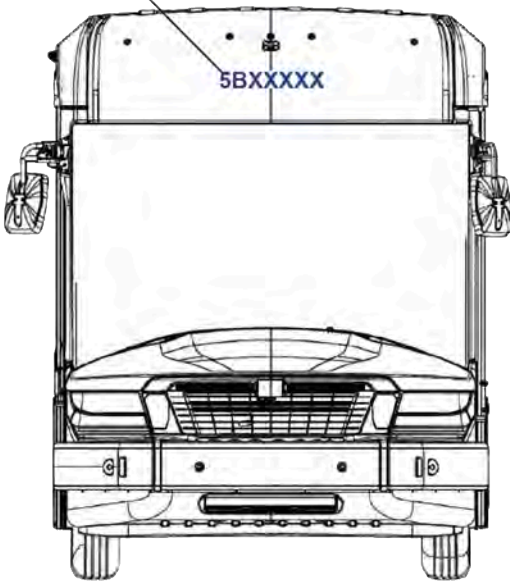
Item Number	Part Number	Description	Quantity	Primary Source
1	U0218A	LABEL,VEH DATA, EMSN,NGDV,VY	1	Oshkosh Defense
2	U021AA	DECAL,ICE FWD,MY25, IDENTIFIER	2	Oshkosh Defense

DECALS, MY25, BEV, FWD

1

		OSHKOSH CORPORATION	
VEHICLE EMISSIONS CONTROL INFORMATION			
Conforms to Regulations:		2025 MY	
U.S. EPA:	T3B0 HDV 2b	Fuel:	ELECTRIC
California:	ZEV MDV	Fuel:	ELECTRIC
Test Group: SOSHD00.0NGZ			
Durability: SOSHEEVNBNB6			
		D004Y919	

2



2



Table 203. DECALS,MY25,BEV,FWD

Item Number	Part Number	Description	Quantity	Primary Source
1	U0216A	LABEL,VEH DATA, EMSN,VY,BEV	1	Oshkosh Defense
2	U021BA	DECAL,BEV FWD,MY25, IDENTIFIER	2	Oshkosh Defense



SEAT, DRIVER



1-[2-8]
2-[3-5]

Table 204. SEAT,DRIVER

Item Number	Part Number	Description	Quantity	Primary Source
1	U028FA	SEAT,BKT,CL,TILT, DRIVER	1	Oshkosh Defense
2	U02UHA	CUSH ASSY,SEAT,BKT, CL,TILT	1	Oshkosh Defense
3	U02UFA	CUSH ASSY,UPR,SEAT, BKT,CL,TILT	1	Oshkosh Defense
4	U02UGA	CUSH ASSY,DRVR,DUAL ACT SENSOR	1	Oshkosh Defense
5	U028PA	SCREW,TAPPING	4	Oshkosh Defense
6	U02UCA	HEIGHT RISER ASSY, 9.0IN TRACKS,ICP	1	Oshkosh Defense
7	U02UDA	SCR,CAP,HEX .31-18X.75 G5 ZC	4	Oshkosh Defense
8	U02UEA	CLIP,SPL,BLK PL PUSH	2	Oshkosh Defense
9	U028HA	CABLE TIE 7.92X0.185 FT NY	1	Oshkosh Defense
10	U140UA	SCR,FLG,HEX,DGP M12X30 C10.9MG	4	Oshkosh Defense

SEAT, TRAINING

1-[2-4]

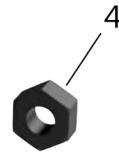


Table 205. SEAT, TRAINING

Item Number	Part Number	Description	Quantity	Primary Source
1	U02QNA	SEAT,BKT,CL,GRY	1	Oshkosh Defense
2	U02QPA	BRACKET,VEHICULAR SEAT	1	Oshkosh Defense
3	U02QQA	SCR,BTN,SOC .25-20X.62 IS MB	2	Oshkosh Defense
4	U02QRA	NUT,HEX,LKDT .25-20 IS ZP	2	Oshkosh Defense
5	U02QSA	BOLT,MACHINE M12X70 C10.9MG	4	Oshkosh Defense

RESTRAINT SYSTEM



Table 206. RESTRAINT SYSTEM

Item Number	Part Number	Description	Quantity	Primary Source
1	U028UA	DRIVER AIR BAG ADJUSTER	1	Oshkosh Defense
2	U028WA	SEAT BELT,SHOULDER RETRACTOR	1	Oshkosh Defense
3	U028ZA	COVER,HEIGHT ADJUSTER	1	Oshkosh Defense
4	U028SA	SEAT BELT,HEIGHT ADJUSTER	1	Oshkosh Defense
5	U028YA	COVER,LAP RETRACTOR	1	Oshkosh Defense
6	U028TA	NUT,FLG,LKDT .44-20 G8 MB	2	Oshkosh Defense
7	U028VA	SEAT BELT,LAP, RETRACTOR	1	Oshkosh Defense
8	U028XA	SEAT BELT,BUCKLE RETRACTOR	1	Oshkosh Defense
9	U0290A	SCR,SHD,TRX 17X12 G8 SPL	1	Oshkosh Defense
10	U0291A	WASHER,FLAT M14X28X2.5 MB	1	Oshkosh Defense
11	U0292A	WASHER,FLAT .38X1.00X.08 MB HDN	1	Oshkosh Defense
12	U0293A	FOAM,ENERGY ATTEN, FOOTWELL	1	Oshkosh Defense
13	U0294A	RIVET,BLIND .12X.337 AL	4	Oshkosh Defense
14	U0295A	PLATE,BACKING,LAP RETRACTOR	1	Oshkosh Defense
15	U0296A	STOP,ROTARY,LAP RETRACTOR	1	Oshkosh Defense

MODULE, RESTRAINTS

1-[2]



Table 207. MODULE,RESTRAINTS

Item Number	Part Number	Description	Quantity	Primary Source
1	D011P564	MODULE ASSY,ECU, RCM,NXX,5.0	1	Oshkosh Defense
2	U350WA	MODULE,CTRL, RESTRAINTS	1	Oshkosh Defense

TRAINING SEAT, AWD

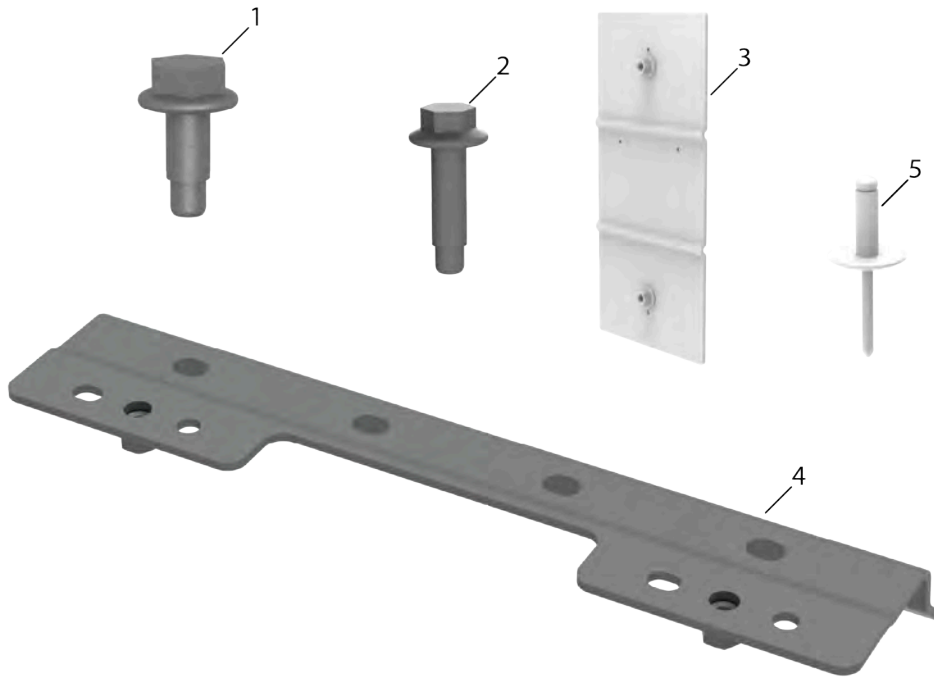


Table 208. TRAINING SEAT,AWD

Item Number	Part Number	Description	Quantity	Primary Source
1	U1501A	SCR,FLG,HEX,DGP M8X20 C8.8 MG	2	Oshkosh Defense
2	U140VA	SCR,FLG,HEX,DGP M12X45 C10.9MG	4	Oshkosh Defense
3	U02SGA	BRKT,TRNG ST,MTG, WLDMT	1	Oshkosh Defense
4	U02SHA	BRKT,TRNR SEAT, TAPE,ASSY	1	Oshkosh Defense
5	U02T1A	RIVET,BLD,RND .188X.38 AL	2	Oshkosh Defense

TRAINING SEAT, FWD

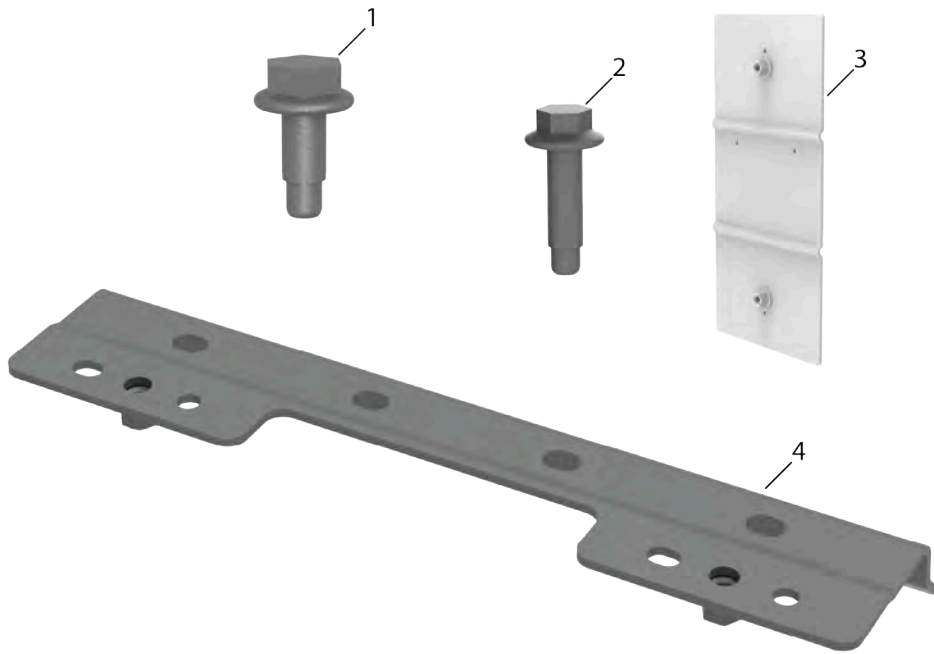


Table 209. TRAINING SEAT,FWD

Item Number	Part Number	Description	Quantity	Primary Source
1	U1501A	SCR,FLG,HEX,DGP M8X20 C8.8 MG	4	Oshkosh Defense
2	U140VA	SCR,FLG,HEX,DGP M12X45 C10.9MG	4	Oshkosh Defense
3	U02SGA	BRKT,TRNG ST,MTG, WLDMT	1	Oshkosh Defense
4	U02SFA	BRKT,TRNG ST,MTG, WLDMT	1	Oshkosh Defense



INTERIOR STORAGE

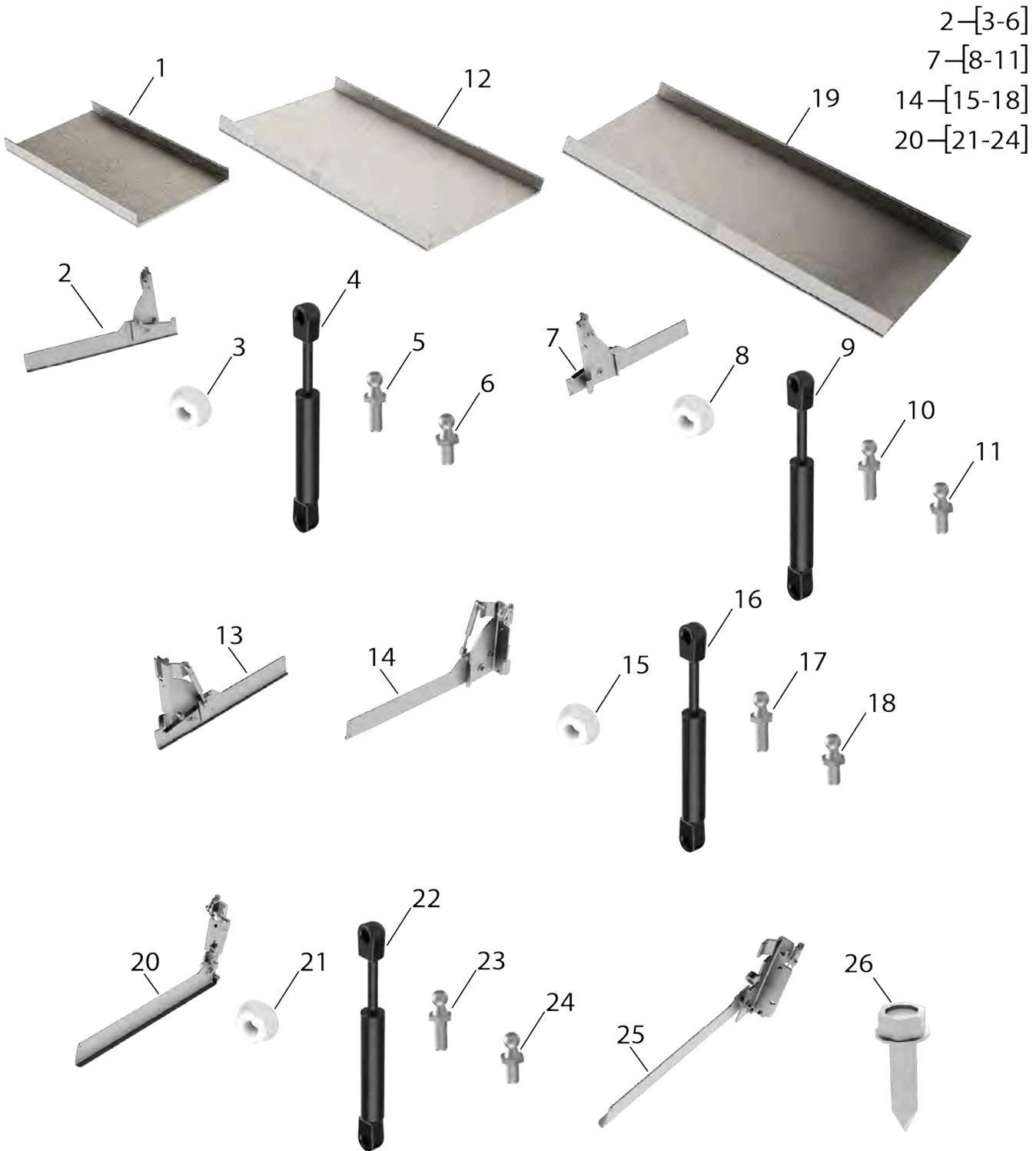
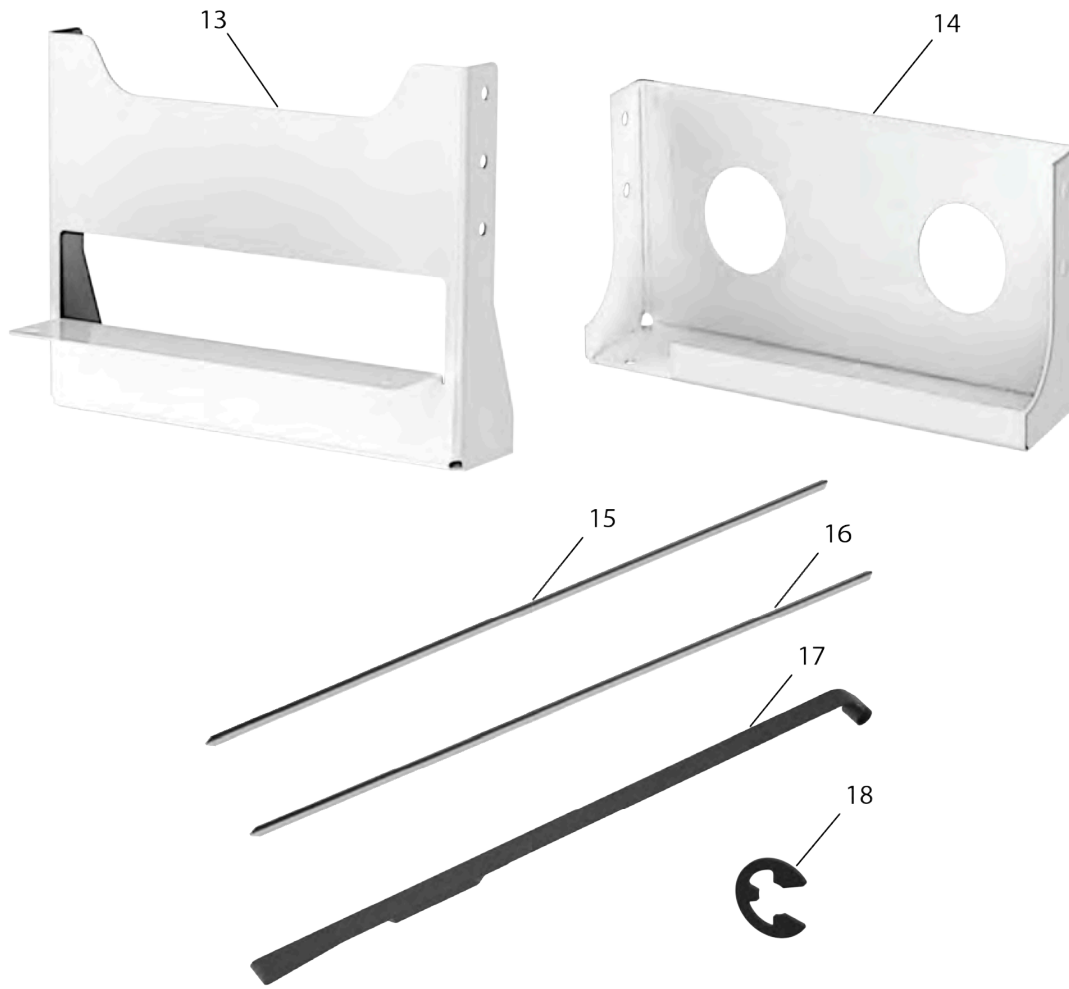


Table 210. INTERIOR STOWAGE

Item Number	Part Number	Description	Quantity	Primary Source
1	U028CA	SUB TRAY WITH LABEL	2	Oshkosh Defense
2	U0283A	PANEL 25IN,LH,ASSY	2	Oshkosh Defense
3	U0284A	NUT,SELF-LOCKING, HEXAGON .31-18	2	Oshkosh Defense
4	U0285A	SPRING,GAS,SHELF	1	Oshkosh Defense
5	U0286A	STUD,BALL M10X.31-18X.75 M ZP	1	Oshkosh Defense
6	U0287A	STUD,BALL M10X.31-18X.55 M ZP	1	Oshkosh Defense
7	U028AA	PANEL 20IN,LH,ASSY	2	Oshkosh Defense
8	U0284A	NUT,SELF-LOCKING, HEXAGON .31-18	2	Oshkosh Defense
9	U0285A	SPRING,GAS,SHELF	1	Oshkosh Defense
10	U0286A	STUD,BALL M10X.31-18X.75 M ZP	1	Oshkosh Defense
11	U0287A	STUD,BALL M10X.31-18X.55 M ZP	1	Oshkosh Defense
12	U0289A	SUB TRAY WITH LABEL 25.25 IN	2	Oshkosh Defense
13	U028BA	PANEL 20IN,RH,ASSY	2	Oshkosh Defense
14	U0288A	PANEL 25IN,RH,ASSY	2	Oshkosh Defense
15	U0284A	NUT,SELF-LOCKING, HEXAGON .31-18	2	Oshkosh Defense
16	U0285A	SPRING,GAS,SHELF	1	Oshkosh Defense
17	U0286A	STUD,BALL M10X.31-18X.75 M ZP	1	Oshkosh Defense
18	U0287A	STUD,BALL M10X.31-18X.55 M ZP	1	Oshkosh Defense
19	U0282A	SUB TRAY WITH LABEL	2	Oshkosh Defense
20	U028DA	PANEL 21.25IN,LH, ASSY	2	Oshkosh Defense
21	U0284A	NUT,SELF-LOCKING, HEXAGON .31-18	2	Oshkosh Defense
22	U0285A	SPRING,GAS,SHELF	1	Oshkosh Defense
23	U0286A	STUD,BALL M10X.31-18X.75 M ZP	1	Oshkosh Defense
24	U0287A	STUD,BALL M10X.31-18X.55 M ZP	1	Oshkosh Defense
25	U028EA	PANEL 21.25IN,RH, ASSY	2	Oshkosh Defense
26	U0281A	SCR,WASH,SOC, #14-1.00 IS ZC	48	Oshkosh Defense

MAIL TRAY



MAIL TRAY

9-[10]
11-[12]



INTERIOR STOWAGE**Table 211. MAIL TRAY**

Item Number	Part Number	Description	Quantity	Primary Source
1	U02QVA	TRAY,MAIL,UPPER	1	Oshkosh Defense
2	U02QWA	TRAY,MAIL,LOWER	1	Oshkosh Defense
3	U1300A	SCR,FLG,HEX,DGP M8X25 C8.8 MG	8	Oshkosh Defense
4	U2109A	BOLT,MACHINE M10X35 C10.9 MG	8	Oshkosh Defense
5	U1500A	NUT,SELF-LOCKING, EXTENDED WASHER,HEXAGON M8-1.25 C10 MB	8	Oshkosh Defense
6	U02R4A	SCR,CAP,SOC M8-1.25X20 C10 BO	8	Oshkosh Defense
7	U02R3A	PLATE,MAIL TRAY MOUNTING	2	Oshkosh Defense
8	U02R6A	NUT,HEX,SPL M8-1.25 PO	8	Oshkosh Defense
9	U02R0A	GLIDE,MAIL TRAY,LH	2	Oshkosh Defense
10	U02QZA	NUT,FLG,LKNY #10-32 GF ZP	2	Oshkosh Defense
11	U02QYA	GLIDE,MAIL TRAY,RH	2	Oshkosh Defense
12	U02QZA	NUT,FLG,LKNY #10-32 GF ZP	2	Oshkosh Defense
13	U02R1A	BRKT,MT,LWR,WLDMT	1	Oshkosh Defense
14	U02R2A	BRKT,MT,UPR,WLDMT	1	Oshkosh Defense
15	U02QTA	ROD,MAIL TRAY	1	Oshkosh Defense
16	U02QUA	ROD,MAIL TRAY	1	Oshkosh Defense
17	U02QXA	STRAP,MAIL TRAY	2	Oshkosh Defense
18	U02R5A	RING,RETAINING, E-CLIP .188	4	Oshkosh Defense



INTERIOR CAB, UPPER

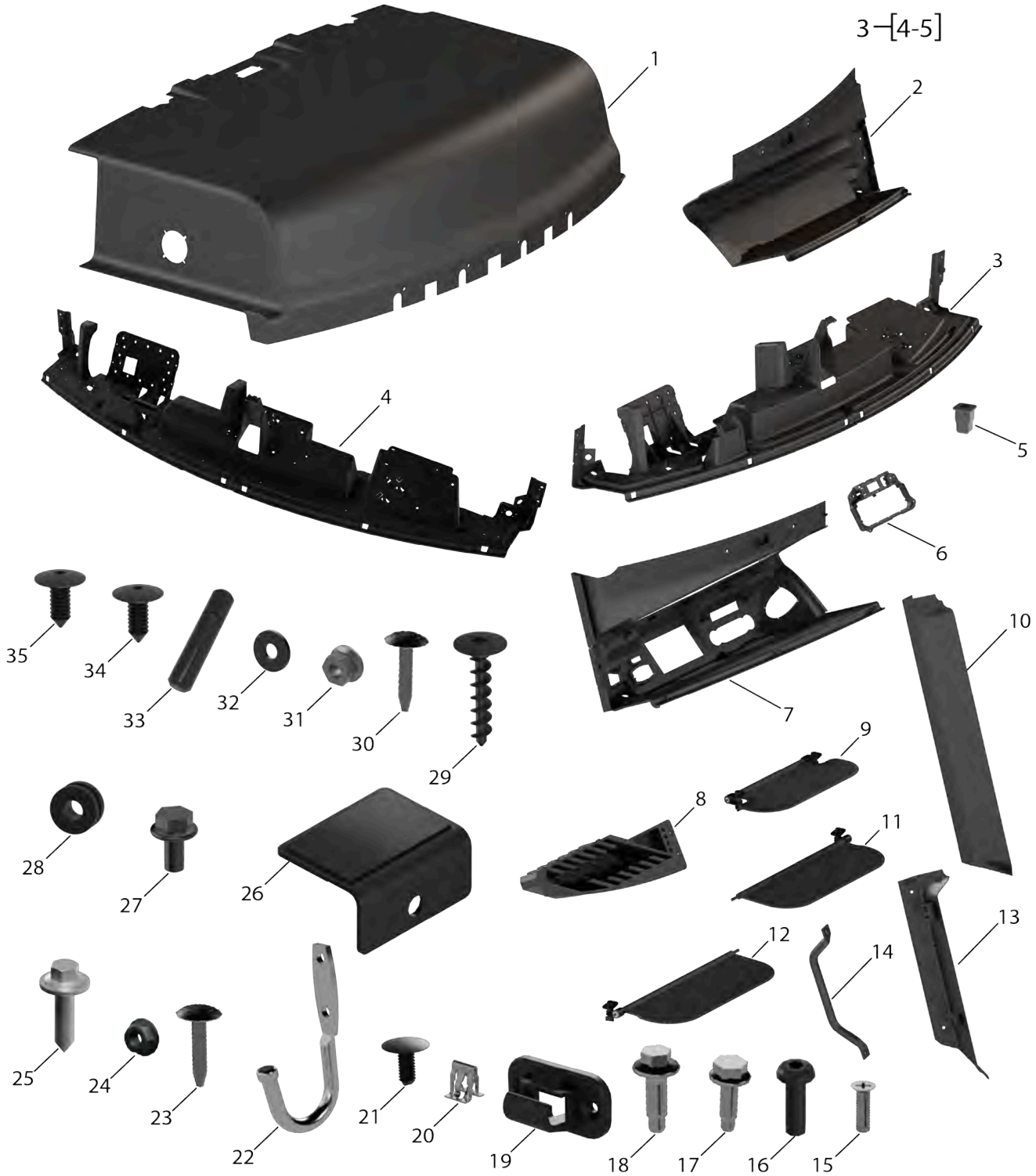
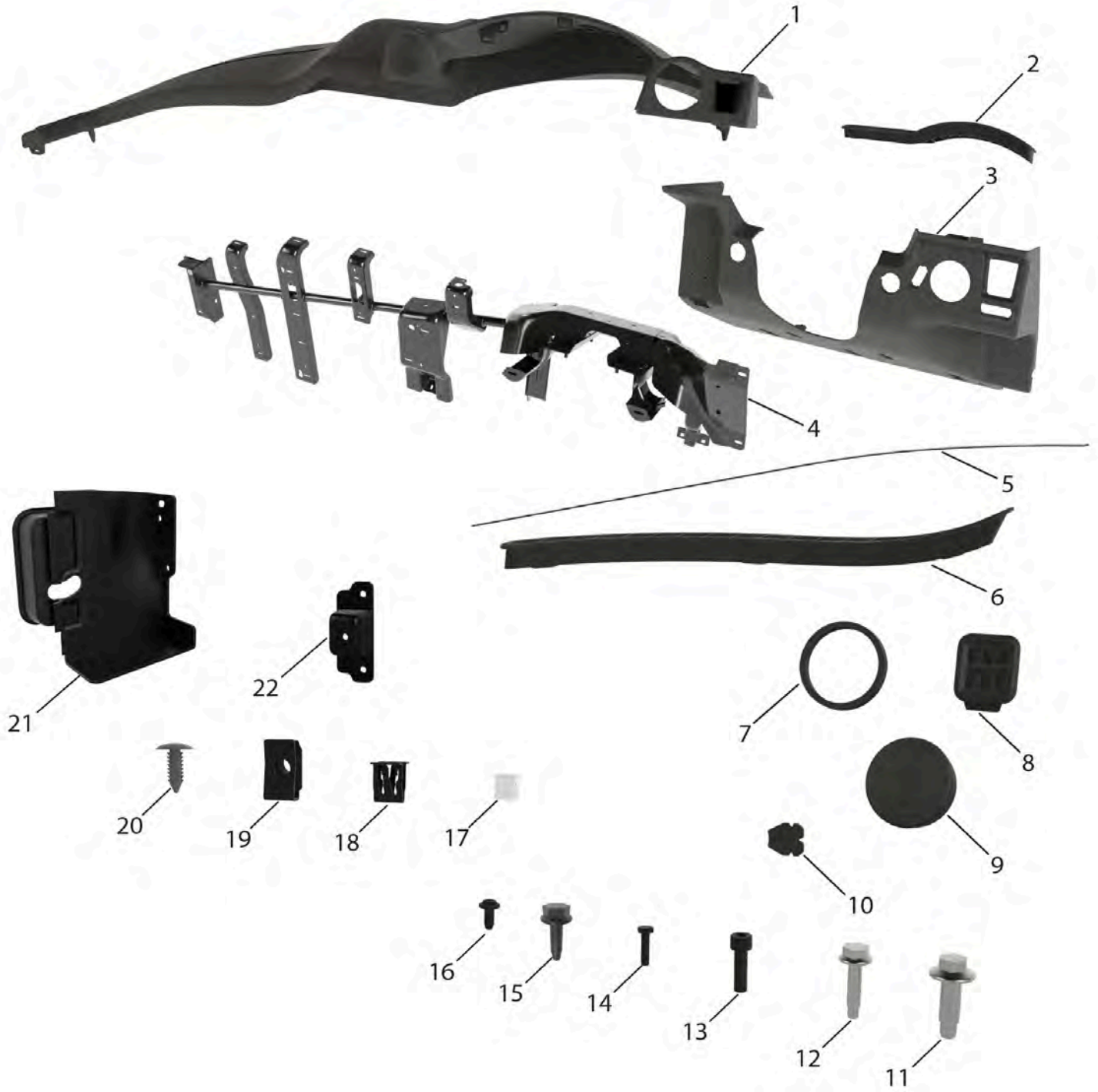


Table 212. INTERIOR,CAB,UPPER

Item Number	Part Number	Description	Quantity	Primary Source
1	U024MA	TRIM,HEADLINER	1	Oshkosh Defense
2	U024FA	PNL,OVHD CONSOLE,LH	1	Oshkosh Defense
3	U024BA	STRUCT SUBASSY,OVHD CONSOLE	1	Oshkosh Defense
4	U024CA	STRUCT,OVHD CONSOLE	1	Oshkosh Defense
5	U024DA	NUT,SPL 4.2-5.0MM 9.25-9.50 PL	7	Oshkosh Defense
6	U024HA	BRKT,OVHD CONTROLS	1	Oshkosh Defense
7	U024EA	PNL,OVHD CONSOLE,RH	1	Oshkosh Defense
8	U0248A	HOLDER,FORMS,OVHD C	1	Oshkosh Defense
9	U024JA	CENTER VISOR,ASSY	1	Oshkosh Defense
10	U024AA	TRIM,A PILLAR, ROADSIDE	1	Oshkosh Defense
11	U024KA	VISOR,ASSY,LH	1	Oshkosh Defense
12	U024LA	VISOR,ASSY,RH	1	Oshkosh Defense
13	U0249A	TRIM, A PILLAR, CURBSIDE	1	Oshkosh Defense
14	U023AA	GRAB HANDLE,DOOR, FRONT,RH	1	Oshkosh Defense
15	U0244A	SCREW,MACHINE M4-0.7X16 A2 SS	16	Oshkosh Defense
16	U024NA	SCR,BTN,SOC M5-0.8X16 A2 SS	4	Oshkosh Defense
17	U5200A	SCR,FLG,HEX,DGP M6X20 C8.8 MG	4	Oshkosh Defense
18	U1300A	SCR,FLG,HEX,DGP M8X25 C8.8 MG	2	Oshkosh Defense
19	U0245A	CLIP,AUX VISOR SUPP	2	Oshkosh Defense
20	U0246A	CLIP,PANEL SNAP	5	Oshkosh Defense
21	U0247A	PUSHPIN,BRB 9.5X18.6X25.4 NY	4	Oshkosh Defense
22	U024GA	HANDLE,HOOK	3	Oshkosh Defense
23	U024PA	SCR,BTN,TORX,SEC, #10-16X1.00,SS	3	Oshkosh Defense
24	U421SA	NUT,FLG M6-1.0 C10 MG	6	Oshkosh Defense
25	U021EA	SCR,WASH,HEX M6 1.0X25 ST MB	4	Oshkosh Defense
26	U024QA	BRKT,STDF 42X26X2.0 90	1	Oshkosh Defense
27	U024RA	SCREW,MACHINE M6-1.0X12 C10.9 MB	2	Oshkosh Defense
28	U024SA	GROM,UPR HDL,LH	1	Oshkosh Defense
29	U024TA	PUSHPIN,SCR TYPE,SQ DRV,NY	2	Oshkosh Defense
30	U024UA	GROM,UPR HDL,RH	1	Oshkosh Defense
31	U132EA	NUT,SELF-LOCKING,	4	Oshkosh Defense
32	U4230A	WASHER,FLAT	4	Oshkosh Defense
33	U02RAA	STUD,DE M6-1.0X27.5 C10.9 ZL	4	Oshkosh Defense
34	U02SUA	PUSHPIN,BRB 8.0X20.5X17.0 NY	1	Oshkosh Defense
35	U021CA	PUSHPIN,BRB .25X.69X.50	2	Oshkosh Defense

INTERIOR, CAB, LOWER



INTERIOR,CAB,LOWER

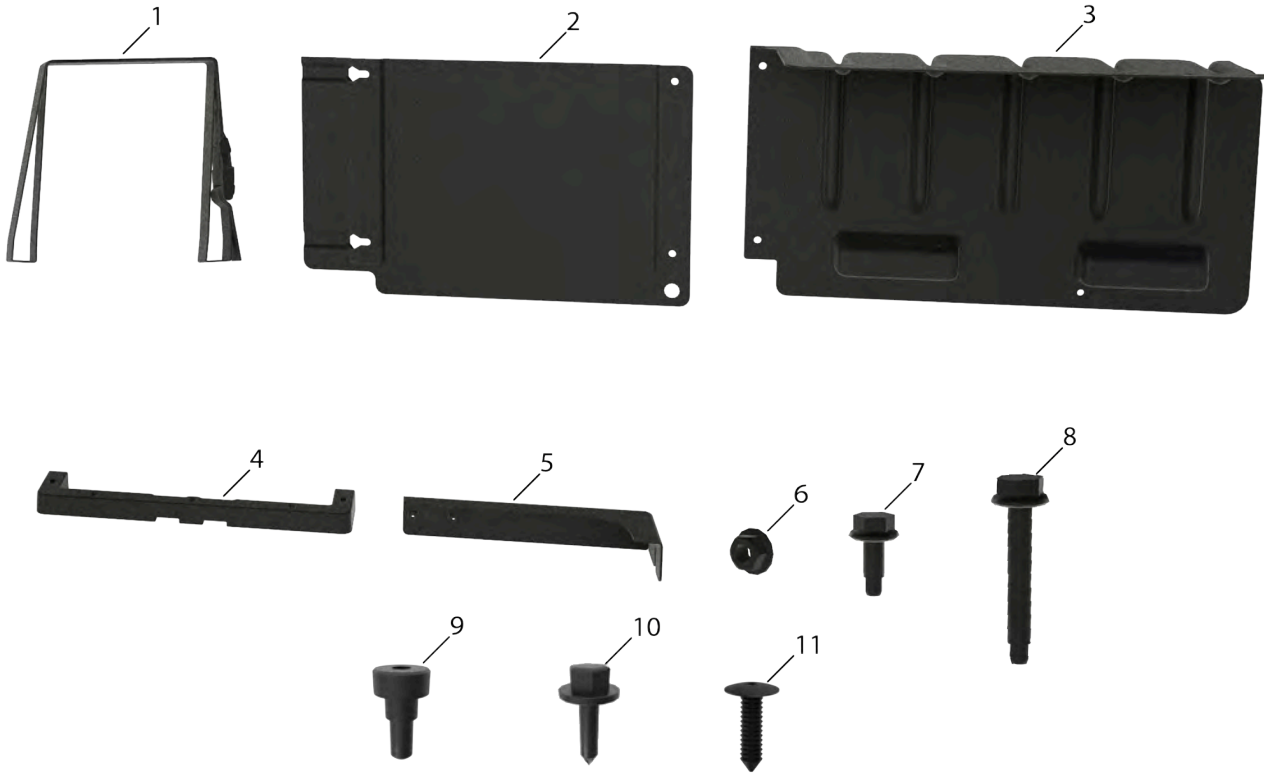


VEHICLE CAB AND EXTERIOR

Table 213. INTERIOR,CAB,LOWER

Item Number	Part Number	Description	Quantity	Primary Source
1	U026UA	DASH PANEL, TOP, ASSY	1	Oshkosh Defense
2	U026QA	LOUVER, DEFROST, RH	1	Oshkosh Defense
3	U026FA	PANEL, DASH, RH	1	Oshkosh Defense
4	U026GA	BEAM, INST, PNL	1	Oshkosh Defense
5	U026YA	FOAM, SEALING	1	Oshkosh Defense
6	U026RA	LOUVER, DFRST, LH	1	Oshkosh Defense
7	U026PA	GSKT, RND 80X69X9.65	2	Oshkosh Defense
8	U026SA	LOUVER, DFRST, WINDOW, RH	1	Oshkosh Defense
9	U026LA	LOUVER, ROUND, AIR DIFFUSER	2	Oshkosh Defense
10	U026TA	TAB, CUP HOLDER	2	Oshkosh Defense
11	U1300A	SCR, FLG, HEX, DGP M8X25 C8.8 MG	6	Oshkosh Defense
12	U4202A	SCR, FLG, HEX, DGP M6X25 C8.8 MG	2	Oshkosh Defense
13	U026WA	SCREW, CAP, SOCKET HEAD, M6-1.0X20 C12.9 MB	1	Oshkosh Defense
14	U026VA	SCREW, CAP, HEXAGON HEAD, M4-0.7X16 C8.8 MB	4	Oshkosh Defense
15	U027CA	SCR, FLG, HEX, DGP M8X30 C8.8 MG	2	Oshkosh Defense
16	U0273A	SCR, BTN, TRX, COL, STR	2	Oshkosh Defense
17	U024DA	NUT, SPL 4.2-5.0MM 9.25-9.50 PL	2	Oshkosh Defense
18	U0246A	CLIP, PANEL SNAP	25	Oshkosh Defense
19	U024XA	NUT, PLAIN, SQUARE 1.25 0.8-4	1	Oshkosh Defense
20	U021CA	PUSHPIN, BRB .25X.69X.50	4	Oshkosh Defense
21	U0270A	DASH PANEL, LATCH COVER	1	Oshkosh Defense
22	U026ZA	BRKT, PANEL, DASH, CTR	1	Oshkosh Defense
23	U026XA	MAT, FLOOR, CAB	1	Oshkosh Defense
24	U026DA	PANEL, DASH, LH	1	Oshkosh Defense
25	U026EA	PANEL, DASH, CTR	1	Oshkosh Defense
26	U026KA	DUCT, HVAC, LH	1	Oshkosh Defense
27	U026HA	DUCT, HVAC, CTR	1	Oshkosh Defense
28	U026JA	DUCT, HVAC, RH	1	Oshkosh Defense
29	U026MA	TRIM, CAMERA COVER	1	Oshkosh Defense
30	U0271A	TRIM, STRG COLUMN, UP	1	Oshkosh Defense
31	U026NA	PANEL, DASH, CLUSTER	1	Oshkosh Defense
32	U0272A	TRIM, STRG COLUMN, LW	1	Oshkosh Defense
33	U0204A	SCREW, MACHINE M6-1.0X16 C10.9 MG	6	Oshkosh Defense
34	U0274A	COVER, CABIN, BCM	1	Oshkosh Defense
35	U0275A	BRKT, CABIN, BCM, UPR	1	Oshkosh Defense
36	U0276A	BRKT, CABIN, BCM, LWR	1	Oshkosh Defense
37	U421SA	NUT, FLG M6-1.0 C10 MG	4	Oshkosh Defense
38	U0277A	NUT, EXP, M4.2, NY	2	Oshkosh Defense
39	U0278A	COVER, SWITCH HOLE	1	Oshkosh Defense
40	U0279A	BEZEL, START SWITCH	1	Oshkosh Defense
41	U021EA	SCR, WASH, HEX M6 1.0X25 ST MB	1	Oshkosh Defense
42	U027AA	INSULATION, DASH, ASSY	1	Oshkosh Defense
43	U027BA	SCREW, MACHINE XR, TF #10-24X.75 NS	4	Oshkosh Defense
44	U131KA	SCREW, CAP, HEXAGON M6-1.0X20 C10.9 MB	2	Oshkosh Defense
45	U027DA	COVER, DOOR LATCH, LH	1	Oshkosh Defense

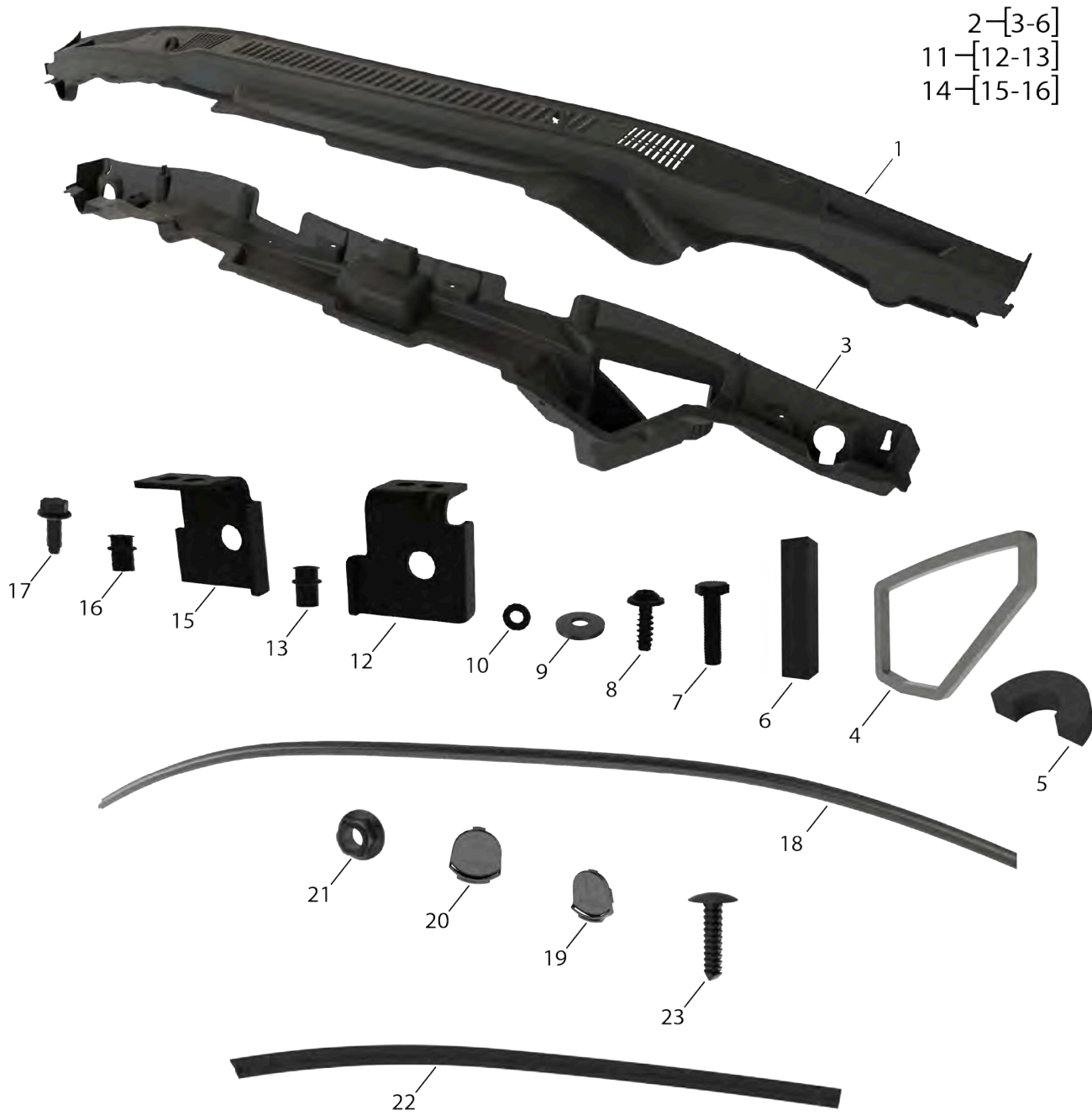
INTERIOR, CAB, BATTERY



VEHICLE CAB AND EXTERIOR**Table 214. INTERIOR,CAB,BATTERY**

Item Number	Part Number	Description	Quantity	Primary Source
1	U027QA	STRAP,BATTERY MTG	1	Oshkosh Defense
2	U027SA	COVER,BATTERY COMPT,RR	1	Oshkosh Defense
3	U027RA	COVER,BATTERY COMPT,FR	1	Oshkosh Defense
4	U027PA	BRKT,BATTERY MTG COMP,ASSY	2	Oshkosh Defense
5	U027NA	GUSSET,BATTERY COMP,ASSY	2	Oshkosh Defense
6	U421SA	NUT,FLG M6-1.0 C10 MG	2	Oshkosh Defense
7	U4202A	SCR,FLG,HEX,DGP M6X25 C8.8 MG	5	Oshkosh Defense
8	U027MA	SCR,FLG,HEX,DGP M6X M6X16 C8.8 MG	10	Oshkosh Defense
9	U027TA	SCREW,SHOULDER M8X8 C12.9 MB	2	Oshkosh Defense
10	U021EA	SCR,WASH,HEX M6 1.0X25 ST MB	2	Oshkosh Defense
11	U0247A	PUSHPIN,BRB .31X.79X.874 NY	1	Oshkosh Defense

LOWER COWL



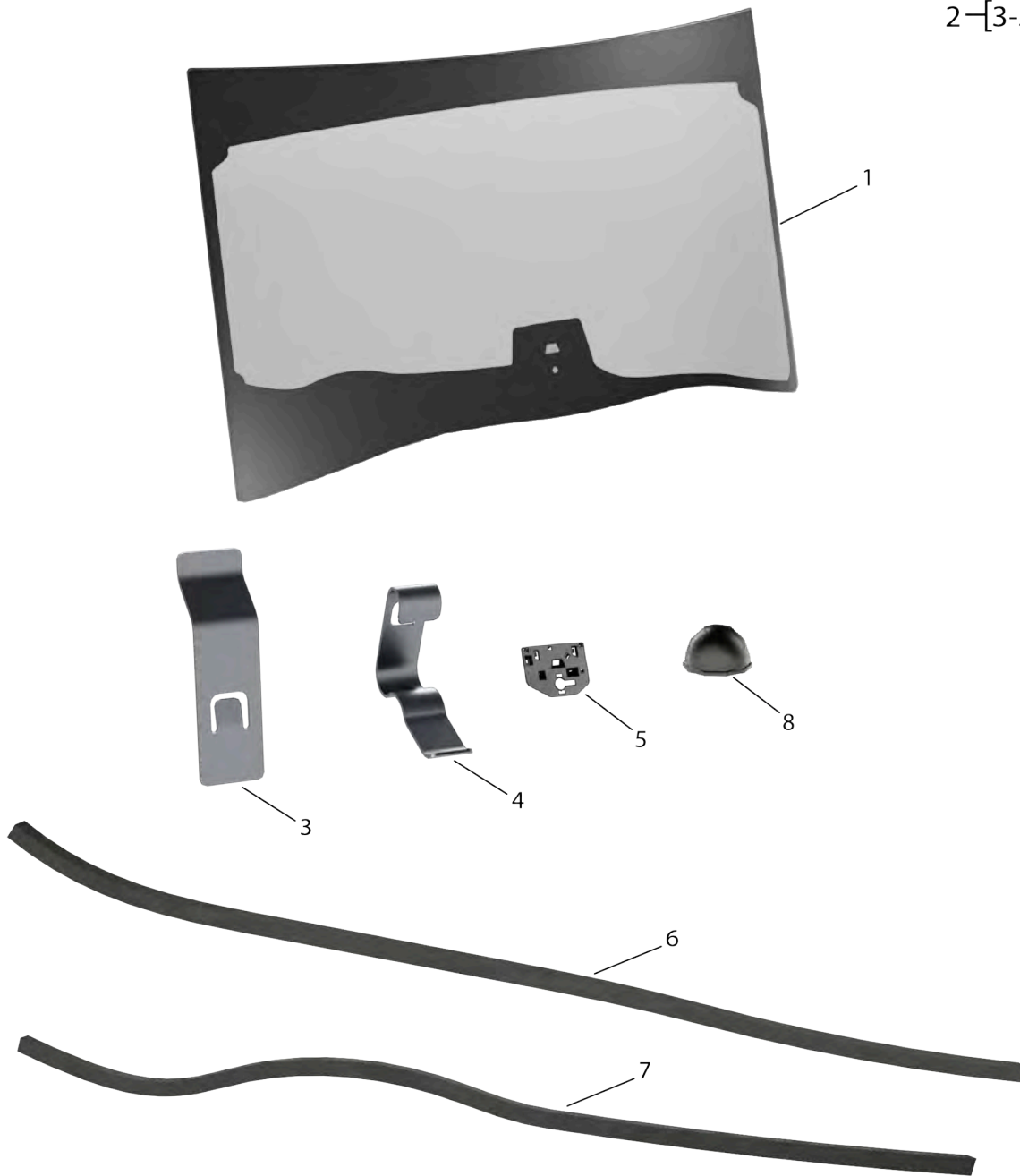
VEHICLE CAB AND EXTERIOR

Table 215. LOWER COWL

Item Number	Part Number	Description	Quantity	Primary Source
1	U0267A	COWL,UPPER	1	Oshkosh Defense
2	U0264A	COWL SUBASSY,LOWER	1	Oshkosh Defense
3	U0266A	COWL,LOWER	1	Oshkosh Defense
4	U0265A	GASKET,HVAC	1	Oshkosh Defense
5	U02HBA	FOAM STRIP .5 X.5X2.95	1	Oshkosh Defense
6	U02T4A	FOAM STRIP .5X.5X2.36	1	Oshkosh Defense
7	U0268A	SCREW,CAP,HEXAGON HEAD,M4-0.7X20 C8.8 MB	2	Oshkosh Defense
8	U0269A	SCR,FLG,TRX,TF M3-1.2X14	7	Oshkosh Defense
9	U4230A	WASHER,FLAT M6X18X1.6 MB	2	Oshkosh Defense
10	U340AA	WASHER,FLAT M4X9X0.8 MB	2	Oshkosh Defense
11	U0262A	BRKT,COWL,SUPPORT, LH,ASSY	1	Oshkosh Defense
12	U0263A	BRKT,COWL,SUPPORT, LH	1	Oshkosh Defense
13	U0260A	NUT,PLAIN,BLIND RIVET,M4-0.7	1	Oshkosh Defense
14	U025ZA	BRKT,COWL,SUPPORT, RH,ASSY	1	Oshkosh Defense
15	U0261A	BRKT,COWL,SUPPORT, RH	1	Oshkosh Defense
16	U0260A	NUT,PLAIN,BLIND RIVET,M4-0.7	1	Oshkosh Defense
17	U0204A	SCREW,MACHINE M6-1.0X16 C10.9 MG	2	Oshkosh Defense
18	U02RCA	SEAL,WSHLD,UPR COWL	1	Oshkosh Defense
19	U026BA	PLUG,COWL,RH	1	Oshkosh Defense
20	U026CA	PLUG,COWL,LH	1	Oshkosh Defense
21	U421SA	NUT,FLG M6-1.0 C10 MG	2	Oshkosh Defense
22	U02RDA	SEAL,WSHLD,LWR COWL	1	Oshkosh Defense
23	U02T3A	PUSHPIN,BRB 4.8X12.7X19.1 NY	18	Oshkosh Defense

WINDSHIELD

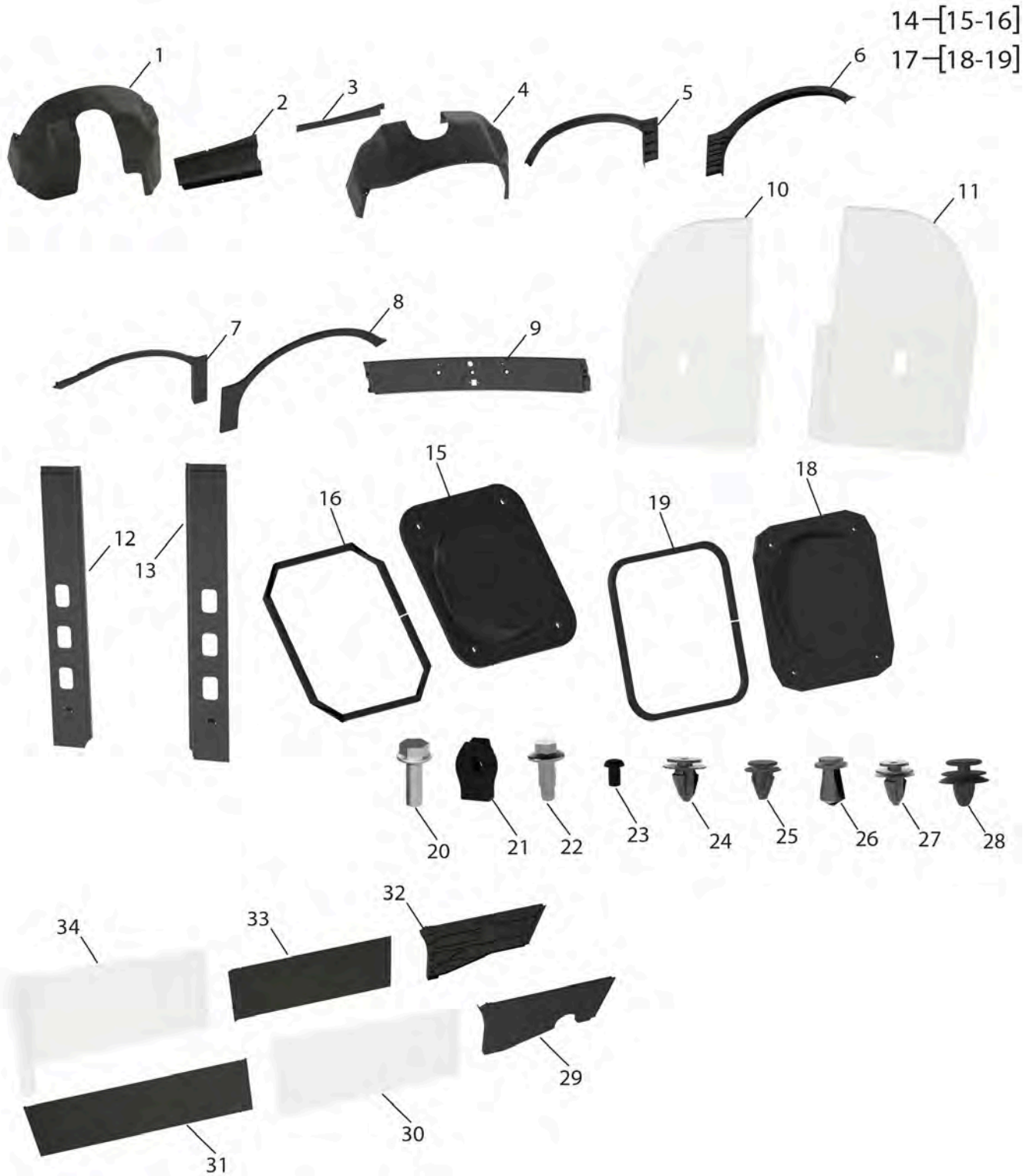
2-[3-5]



VEHICLE CAB AND EXTERIOR**Table 216. WINDSHIELD**

Item Number	Part Number	Description	Quantity	Primary Source
1	U02S4A	WINDSHIELD ASSY,SERVICE	1	Oshkosh Defense
2	U02SXA	BRKT ASSY,PEDESTRIA MUST PURCHASE P/N U02S4A	1	Oshkosh Defense
3	U02SYA	TENSION SPRING,PEDE MUST PURCHASE P/N U02S4A	1	Oshkosh Defense
4	U02SZA	SPRING CLIP,PEDESTR MUST PURCHASE P/N U02S4A	2	Oshkosh Defense
5	U02T0A	BRKT,PEDESTRIAN CAM MUST PURCHASE P/N U02S4A	1	Oshkosh Defense
6	U02SKA	FOAM STRIP MUST PURCHASE P/N U02S4A	1	Oshkosh Defense
7	U02SJA	FOAM STRIP MUST PURCHASE P/N U02S4A	1	Oshkosh Defense
8	U024VA	BUMPON,WINDSHIELD MUST PURCHASE P/N U02S4A	4	Oshkosh Defense

BODY TRIM



BODY TRIM

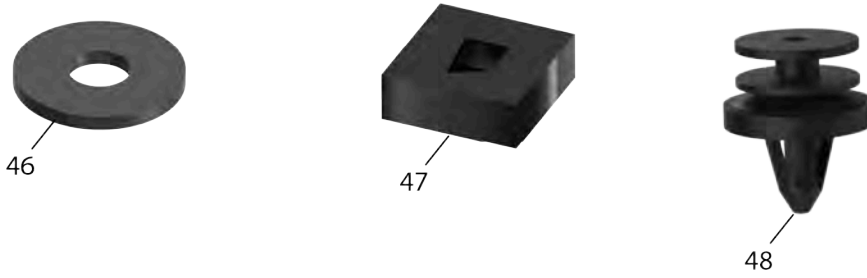
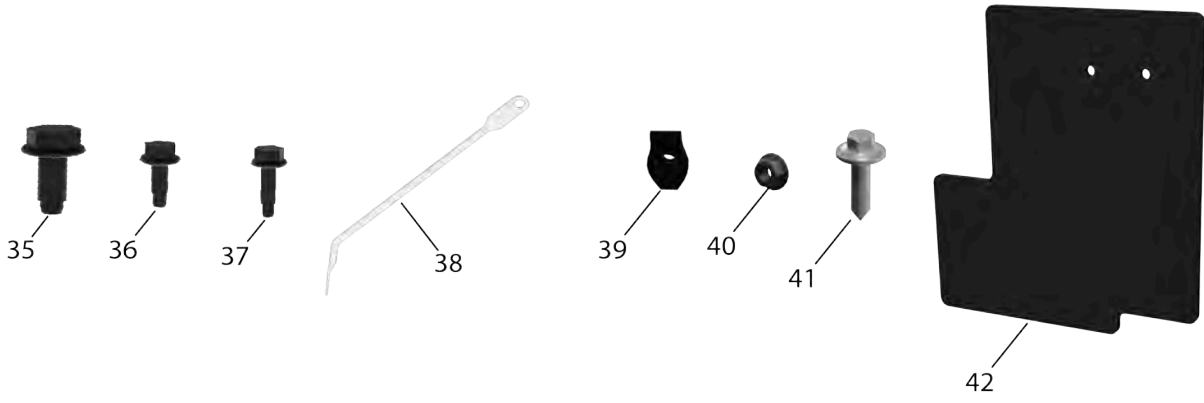


Table 217. BODY TRIM

Item Number	Part Number	Description	Quantity	Primary Source
1	U025GA	TRIM,WHEEL WELL,LH	1	Oshkosh Defense
2	U025BA	GUARD,SPLASH,RH	1	Oshkosh Defense
3	U025CA	GUARD,SPLASH,LH	1	Oshkosh Defense
4	U0258A	TRIM,WHEEL WELL,RH	1	Oshkosh Defense
5	U024YA	TRIM,FR FENDER RH	1	Oshkosh Defense
6	U0255A	TRIM,EXTERIOR,REAR,	1	Oshkosh Defense
7	U024ZA	TRIM,FR FENDER LH	1	Oshkosh Defense
8	U0257A	TRIM,EXTERIOR,REAR,	1	Oshkosh Defense
9	U025RA	PANEL,WALL,REAR, MIDDLE	1	Oshkosh Defense
10	U025TA	PANEL,WALL,REAR, MIDDLE,LH	1	Oshkosh Defense
11	U025SA	PANEL,WALL,REAR, MIDDLE,RH	1	Oshkosh Defense
12	U025AA	PANEL,WALL,REAR,LH	1	Oshkosh Defense
13	U0259A	PANEL,WALL,REAR,RH	1	Oshkosh Defense
14	U025DA	PANEL,COVER,RADAR, RH ASSY	1	Oshkosh Defense
15	U025EA	PANEL,COVER,RADAR, RH	1	Oshkosh Defense
16	U025FA	SEAL,RECT 7.62X6.35X650 NBR	1	Oshkosh Defense
17	U025HA	PANEL,COVER,RADAR, LH ASSY	1	Oshkosh Defense
18	U025JA	PANEL,COVER,RADAR, LH	1	Oshkosh Defense
19	U025FA	SEAL,RECT 7.62X6.35X650 NBR	1	Oshkosh Defense
20	U132CA	SCREW,CAP,HEXAGON HEAD,M6-1.0X16 C10.9 MB	8	Oshkosh Defense
21	U024XA	NUT,PLAIN,SQUARE	8	Oshkosh Defense
22	U1501A	SCR,FLG,HEX,DGP M8X20 C8.8 MG	8	Oshkosh Defense
23	U0250A	SCREW,CAP,SOCKET HEAD,M6-1.0X16 C10.9 MB	6	Oshkosh Defense
24	U025LA	PUSHPIN,PSHN 8.5X13.0X1.6	2	Oshkosh Defense
25	U0253A	PUSHPIN,PSHN 8.5X13.0X1.6	26	Oshkosh Defense
26	U0252A	PUSHPIN,SNPLK, 8X15X20	16	Oshkosh Defense
27	U025KA	PUSHPIN,PSHN 8.0X13.2X3.5	9	Oshkosh Defense
28	U0251A	PUSHPIN,PSHN 8.5X13.0X1.2	22	Oshkosh Defense
29	U0256A	TRIM,EXTERIOR,REAR, RR,LH	1	Oshkosh Defense
30	U025NA	TRIM,DOOR,LWR,FR,RH	1	Oshkosh Defense
31	U025MA	TRIM,DOOR,LWR,RR,RH	1	Oshkosh Defense
32	U0254A	TRIM,EXTERIOR,REAR, RR,RH	1	Oshkosh Defense
33	U025QA	TRIM,DOOR,LWR,FR,LH	1	Oshkosh Defense
34	U025PA	TRIM,DOOR,LWR,RR,LH	1	Oshkosh Defense
35	U440SA	SCR,FLG,HEX M8-1.25X20 C10.9MG	2	Oshkosh Defense
36	U1300A	SCR,FLG,HEX,DGP M8X25 C8.8 MG	4	Oshkosh Defense
37	U4202A	SCR,FLG,HEX,DGP M6X25 C8.8 MG	3	Oshkosh Defense
38	U025UA	BRKT,EXTERIOR TRIM, REAR	2	Oshkosh Defense
39	U0203A	NUT,CLIP-ON M6-1.0 0.8-4.0 NS MB	10	Oshkosh Defense
40	U010VA	NUT,FLG M8-1.25 C10 MG	4	Oshkosh Defense
41	U021EA	SCR,WASH,HEX M6 1.0X25 ST MB	8	Oshkosh Defense
42	U025VA	MUDFLAP,FR	2	Oshkosh Defense
43	U421TA	SCR,FLG,HEX,DGP M6X30 C8.8 MG	4	Oshkosh Defense
44	U025WA	BRKT,TRIM,RR,LH, WLDMT	1	Oshkosh Defense
45	U025XA	BRKT,TRIM,RR,RH, WLDMT	1	Oshkosh Defense
46	U4230A	WASHER,FLAT M6X18X1.6 MB	4	Oshkosh Defense
47	U025YA	GSKT,RND 8.5X25.4X6.4 NBR	6	Oshkosh Defense
48	U02SNA	PUSHPIN,PSHN,SEAL 8.5X16.5X1.8	4	Oshkosh Defense

TRIM,CHARGE PORT,REAR



4-[5-7]

Table 218. TRIM,CHARGE PORT,REAR

Item Number	Part Number	Description	Quantity	Primary Source
1	U027GA	COVER,CHARGE CABLE	1	Oshkosh Defense
2	U027EA	SCR,FLG,HEX M8-1.25X16 C10.9MG	1	Oshkosh Defense
3	U027CA	SCR,FLG,HEX,DGP M8X30 C8.8 MG	2	Oshkosh Defense
4	U027HA	HSG,CHARGE PORT,RR, ASSY,REFER TO VIN	1	Oshkosh Defense
4	U027HB	HSG,CHARGE PORT,RR, ASSY,REFER TO VIN	1	Oshkosh Defense
5	U027FA	DOOR,CHARGE PORT,RR	1	Oshkosh Defense
6	U022HA	HINGE,ACCESS DOOR, BEV	1	Oshkosh Defense
7	U022FA	SPRING,FUEL DOOR 1.70X110	1	Oshkosh Defense

DUST MITIGATION, ICE

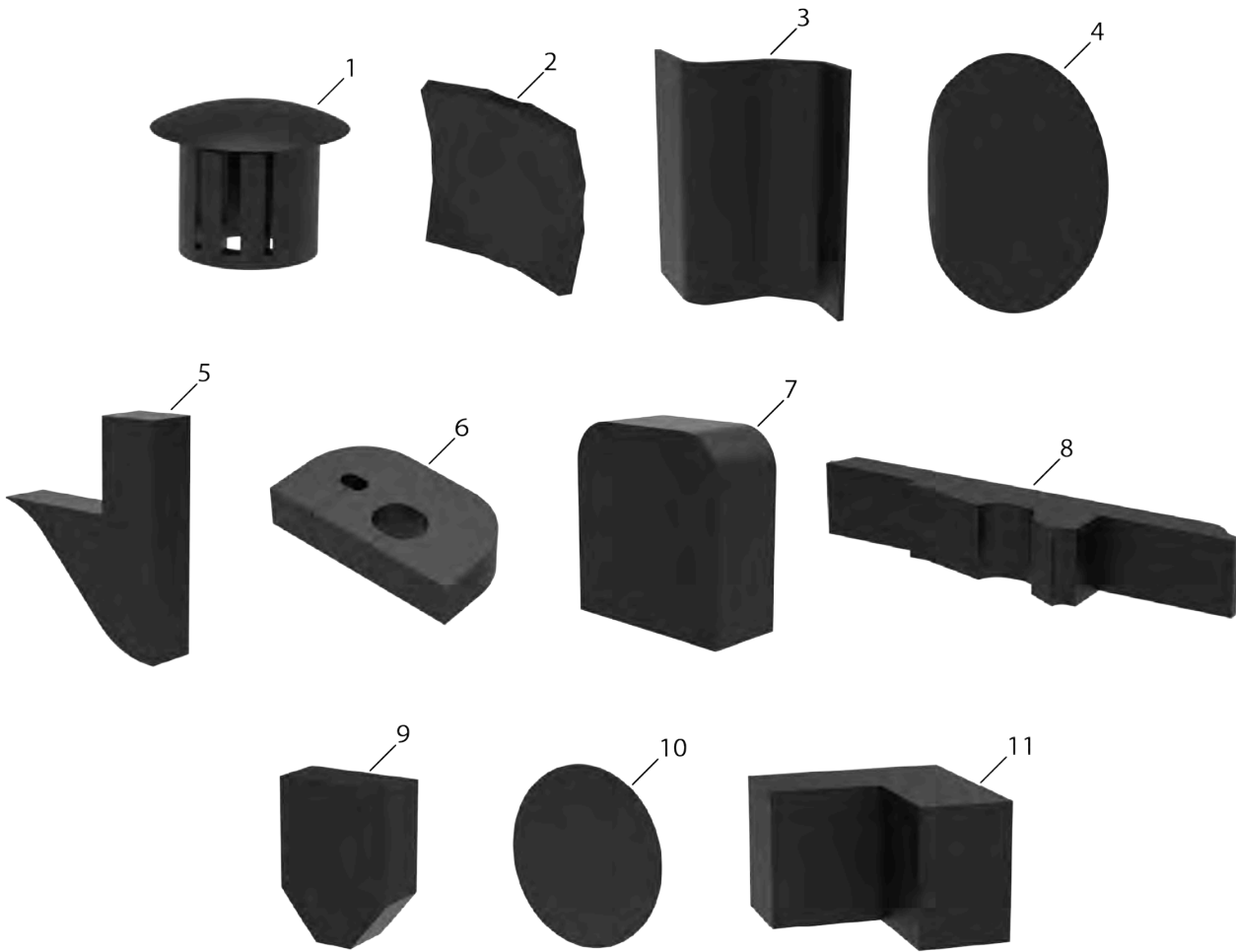


Table 219. DUST MITIGATION,ICE

Item Number	Part Number	Description	Quantity	Primary Source
1	U02REA	PLUG,HOLE .44 BLACK NYLON	2	Oshkosh Defense
2	U02RFA	PATCH 25X25 FOIL	15	Oshkosh Defense
3	U02RGA	PATCH 75X75 FOIL BACKED BUTYL	2	Oshkosh Defense
4	U02RHA	PATCH DIA 40 ACRYLIC TESA	2	Oshkosh Defense
5	U02RJA	BLOCK,FOAM,C-PILLAR	1	Oshkosh Defense
6	U02RKA	BLOCK,FOAM,ICE FUEL LINE	1	Oshkosh Defense
7	U02RLA	BLOCK,FOAM, C-PILLAR,LOWER	1	Oshkosh Defense
8	U02RMA	BLOCK,FOAM,FLOOR GAP	1	Oshkosh Defense
9	U02RNA	FOAM,RUD,LWR	2	Oshkosh Defense
10	U02RPA	PATCH,30 DIA,54657 TESA	1	Oshkosh Defense
11	U02RQA	FOAM,RUD,UPR	2	Oshkosh Defense

DUST MITIGATION, BEV

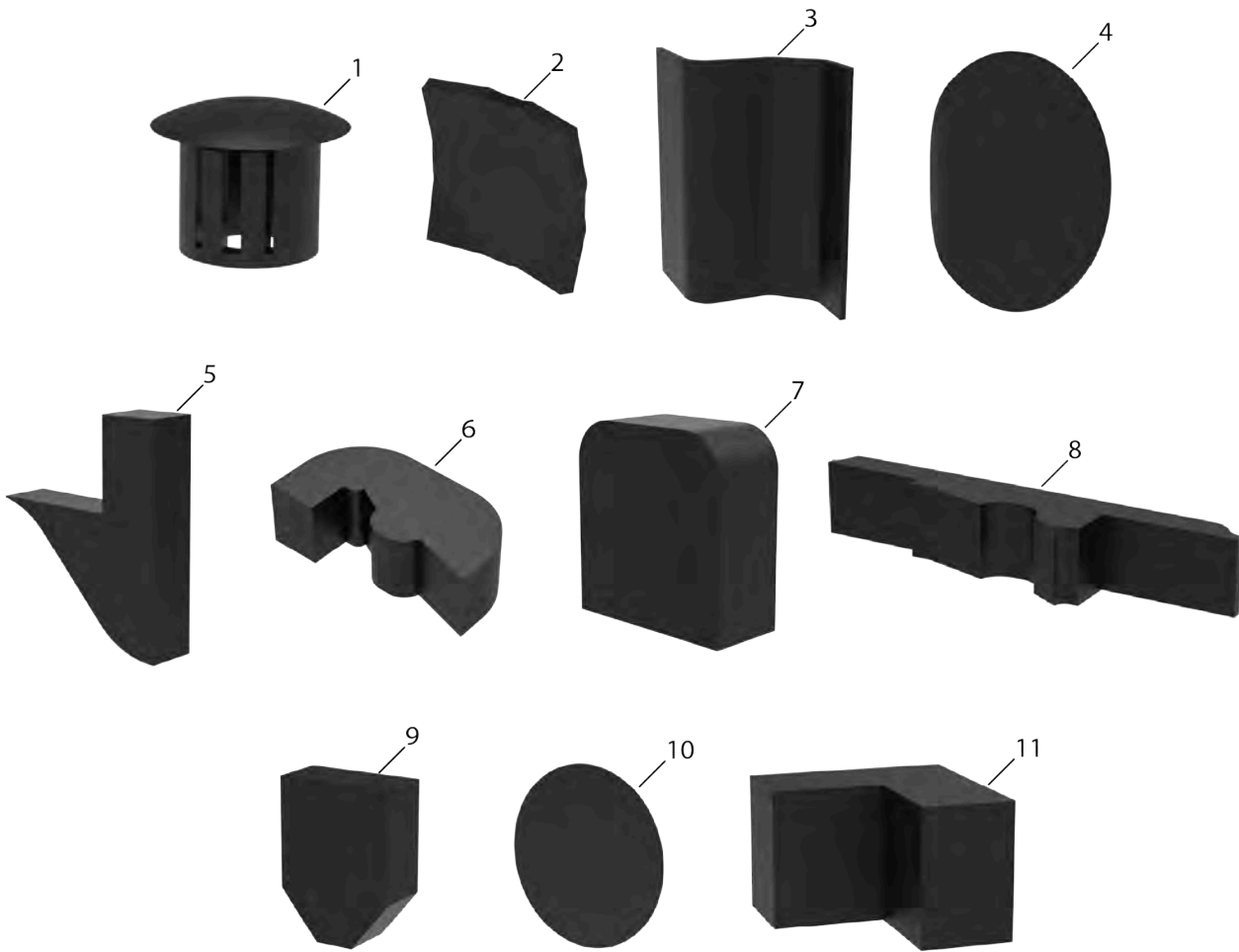
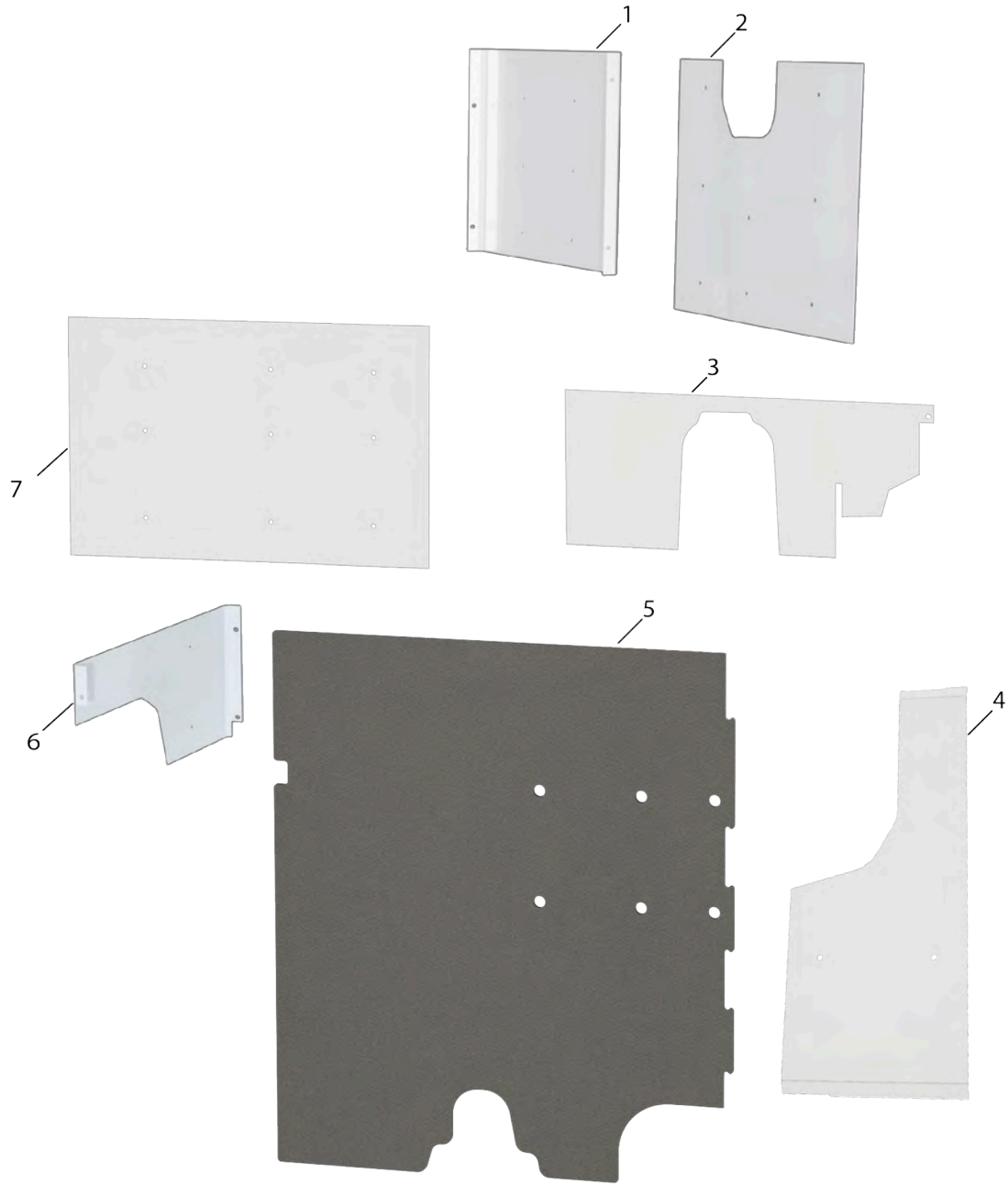


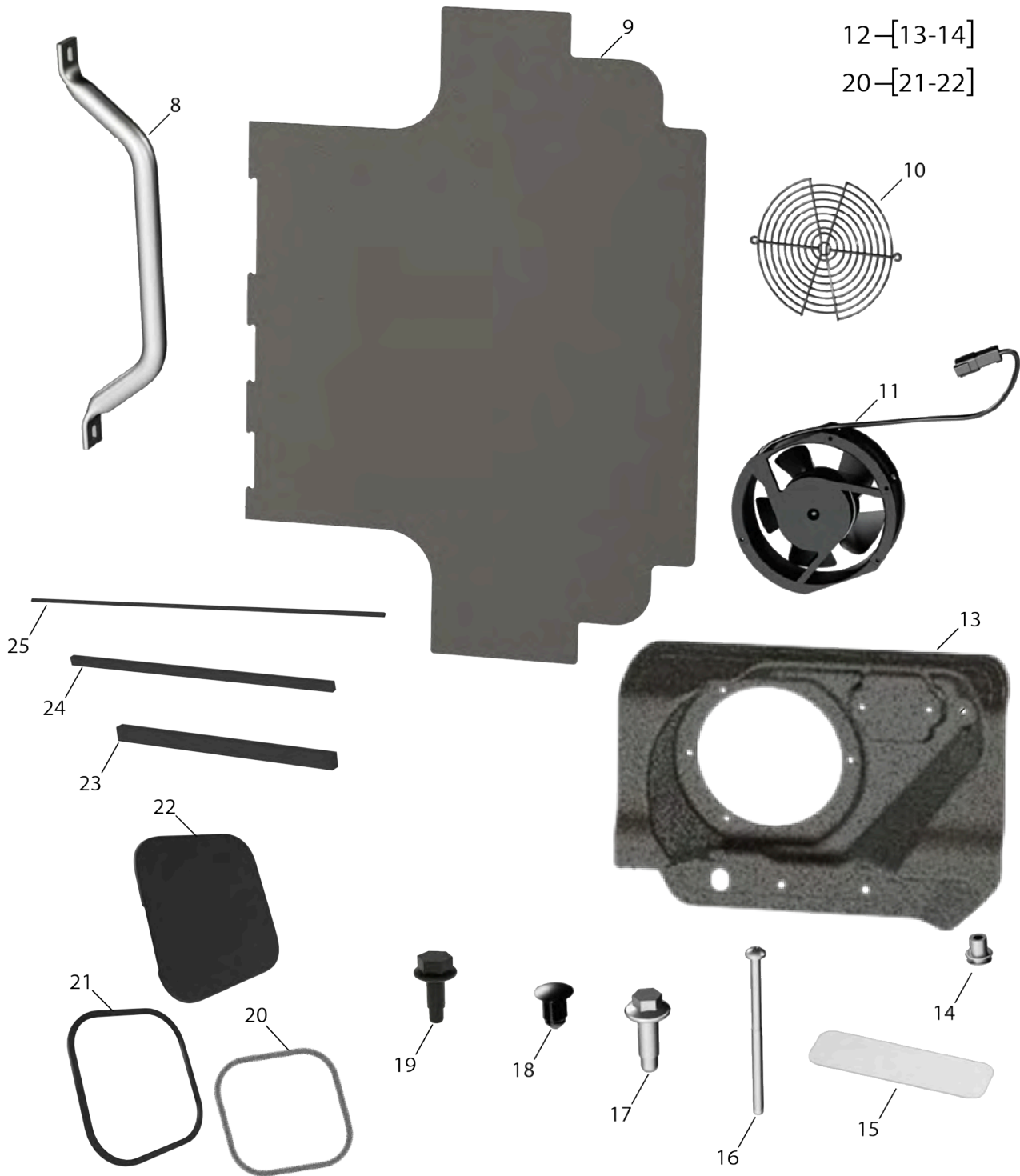
Table 220. DUST MITIGATION, BEV

Item Number	Part Number	Description	Quantity	Primary Source
1	U02REA	PLUG,HOLE .44 BLACK NYLON	2	Oshkosh Defense
2	U02RFA	PATCH 25X25 FOIL	15	Oshkosh Defense
3	U02RGA	PATCH 75X75 FOIL BACKED BUTYL	2	Oshkosh Defense
4	U02RHA	PATCH DIA 40 ACRYLIC TESA	2	Oshkosh Defense
5	U02RJA	BLOCK,FOAM,C-PILLAR	1	Oshkosh Defense
6	U02RRA	BLOCK,FOAM,BEV FUEL LINE	1	Oshkosh Defense
7	U02RLA	BLOCK,FOAM, C-PILLAR,LOWER	1	Oshkosh Defense
8	U02RMA	BLOCK,FOAM,FLOOR GAP	1	Oshkosh Defense
9	U02RNA	FOAM,RUD,LWR	2	Oshkosh Defense
10	U02RPA	PATCH,30 DIA,54657 TESA	1	Oshkosh Defense
11	U02RQA	FOAM,RUD,UPR	2	Oshkosh Defense

INTERIOR, CARGO



INTERIOR,CARGO



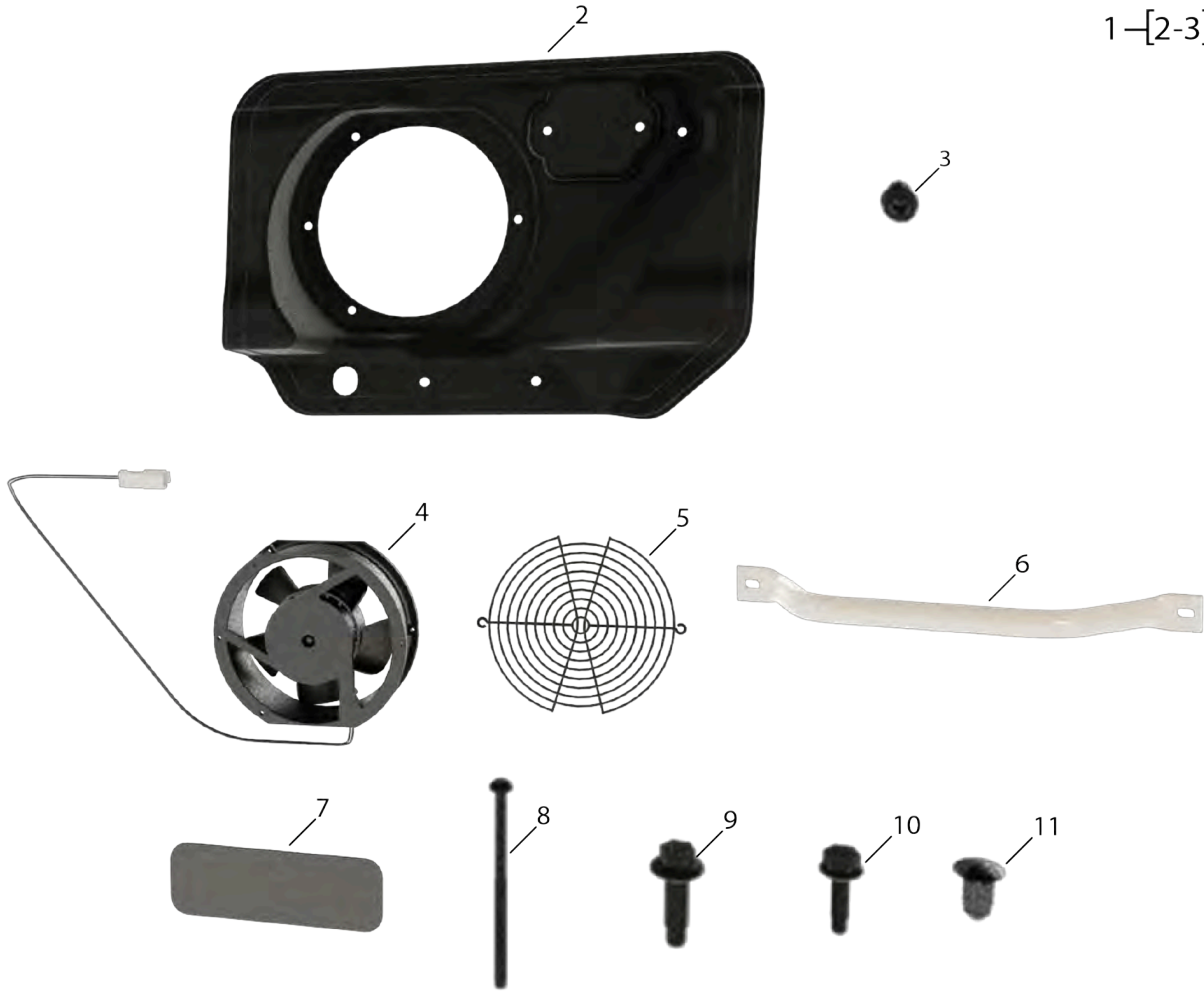
VEHICLE CAB AND EXTERIOR

Table 221. INTERIOR,CARGO

Item Number	Part Number	Description	Quantity	Primary Source
1	U023FA	PANEL,INT,TRIM,MID	4	Oshkosh Defense
2	U023DA	PANEL,INT,TRIM,FR, UPR,LH	1	Oshkosh Defense
3	U023GA	PANEL,INT,TRIM,FR, LWR,LH	1	Oshkosh Defense
4	U023RA	PANEL,INT,TRIM,MID, LWR,LH	1	Oshkosh Defense
5	U023MA	MAT,FLOOR,CARGO,FR RR	1	Oshkosh Defense
6	U023PA	PANEL,INT,TRIM,MID, LWR,RH	1	Oshkosh Defense
7	U023EA	PANEL,INT,TRIM,FR, MID,LH	1	Oshkosh Defense
8	U023AA	GRAB HANDLE,DOOR, FRONT,RH	1	Oshkosh Defense
9	U023NA	MAT,FLOOR,CARGO, ICE,RR	1	Oshkosh Defense
10	U023BA	GUARD,FAN	1	Oshkosh Defense
11	U023LA	FAN 6.7 SUCT,AX, 352,12VDC	1	Oshkosh Defense
12	U023HA	BRKT,AIR EXCHANGER, ASSY	1	Oshkosh Defense
13	U023JA	BRKT,AIR EXCHANGER	1	Oshkosh Defense
14	U023KA	INSERT,SCREW THREAD M4-0.7X2.00 TZ	6	Oshkosh Defense
15	U023QA	FILTER,FRESH AIR	1	Oshkosh Defense
16	U023SA	SCR,PAN,XR M4-0.7X70 A2 SS	4	Oshkosh Defense
17	U1300A	SCR,FLG,HEX,DGP M8X25 C8.8 MG	2	Oshkosh Defense
18	U02TDA	PUSHPIN,BRB 8.7X16.0X13.0 NY	76	Oshkosh Defense
19	U5200A	SCR,FLG,HEX,DGP M6X20 C8.8 MG	2	Oshkosh Defense
20	U023TA	PLUG,BEV PORT,ICE ASSY	1	Oshkosh Defense
21	U023UA	SEAL,RECT 7.5X5.00X673.5 NBR	1	Oshkosh Defense
22	U023VA	COVER,RR CHRGR PORT	1	Oshkosh Defense
23	U023XA	FOAM,ADHESIVE, 1X1.5X17.75	2	Oshkosh Defense
24	U023YA	FOAM,ADHESIVE, 1X1.5X25.5	2	Oshkosh Defense
25	U023ZA	FOAM,ADHESIVE, 1X1.5X40	2	Oshkosh Defense

INTERIOR, CARGO, BEV

1-[2-3]



INTERIOR,CARGO,BEV

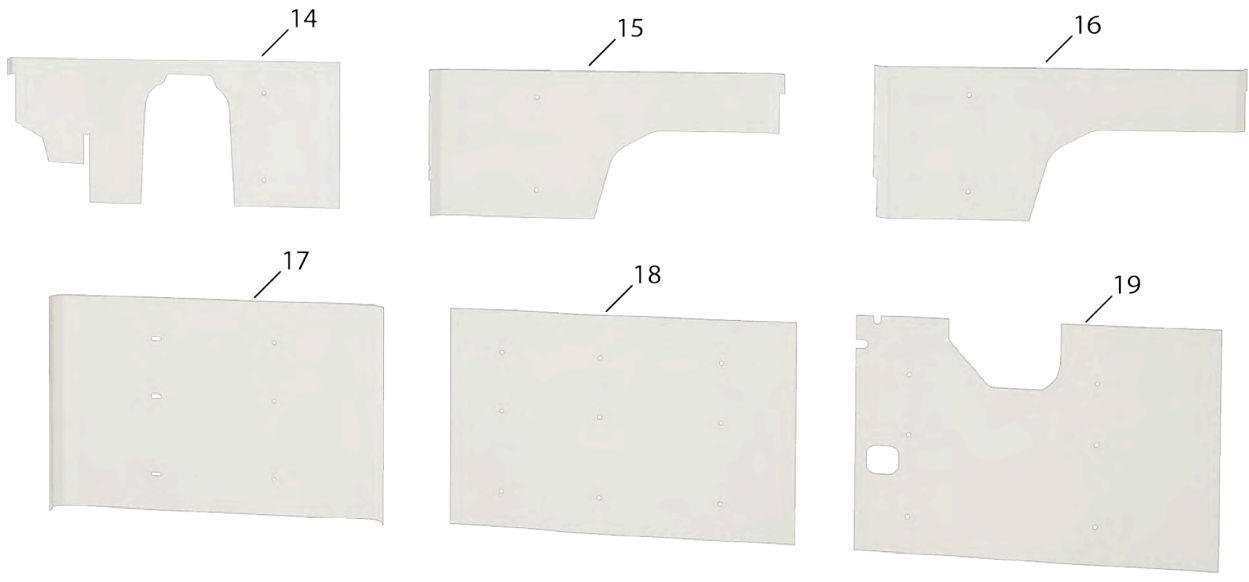
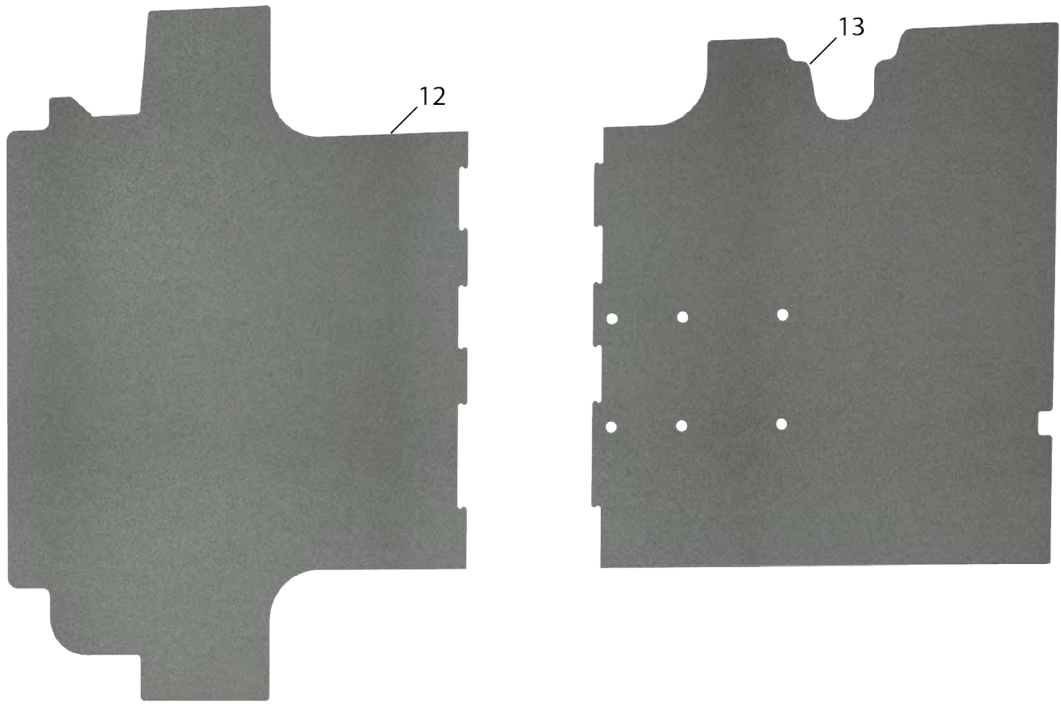


Table 222. INTERIOR,CARGO,BEV

Item Number	Part Number	Description	Quantity	Primary Source
1	U023HA	BRKT,AIR EXCHANGER, ASSY	1	Oshkosh Defense
2	U023JA	BRKT,AIR EXCHANGER	1	Oshkosh Defense
3	U023KA	INSERT,SCREW THREAD M4-0.7X2.00 TZ	6	Oshkosh Defense
4	U023LA	FAN 6.7 SUCT,AX, 352,12VDC	1	Oshkosh Defense
5	U023BA	GUARD,FAN	1	Oshkosh Defense
6	U023AA	GRAB HANDLE,DOOR, FRONT,RH	1	Oshkosh Defense
7	U023QA	FILTER,FRESH AIR	1	Oshkosh Defense
8	U023SA	SCR,PAN,XR M4-0.7X70 A2 SS	4	Oshkosh Defense
9	U1300A	SCR,FLG,HEX,DGP M8X25 C8.8 MG	2	Oshkosh Defense
10	U5200A	SCR,FLG,HEX,DGP M6X20 C8.8 MG	2	Oshkosh Defense
11	U02TDA	PUSHPIN,BRB 8.7X16.0X13.0 NY	76	Oshkosh Defense
12	U027UA	MAT,FLOOR,CARGO, BEV,RR	1	Oshkosh Defense
13	U023MA	MAT,FLOOR,CARGO,FR RR	1	Oshkosh Defense
14	U023GA	PANEL,INT,TRIM,FR, LWR,LH	1	Oshkosh Defense
15	U027VA	PANEL,INT,TRIM,MID, LWR,LH	1	Oshkosh Defense
16	U023PA	PANEL,INT,TRIM,MID, LWR,RH	1	Oshkosh Defense
17	U023FA	PANEL,INT,TRIM,MID	4	Oshkosh Defense
18	U023EA	PANEL,INT,TRIM,FR, MID,LH	1	Oshkosh Defense
19	U023DA	PANEL,INT,TRIM,FR, UPR,LH	1	Oshkosh Defense
20	U023XA	FOAM,ADHESIVE, 1X1.5X17.75	2	Oshkosh Defense
21	U023YA	FOAM,ADHESIVE, 1X1.5X25.5	2	Oshkosh Defense
22	U023ZA	FOAM,ADHESIVE, 1X1.5X40	2	Oshkosh Defense

CAB WIPER ASSY

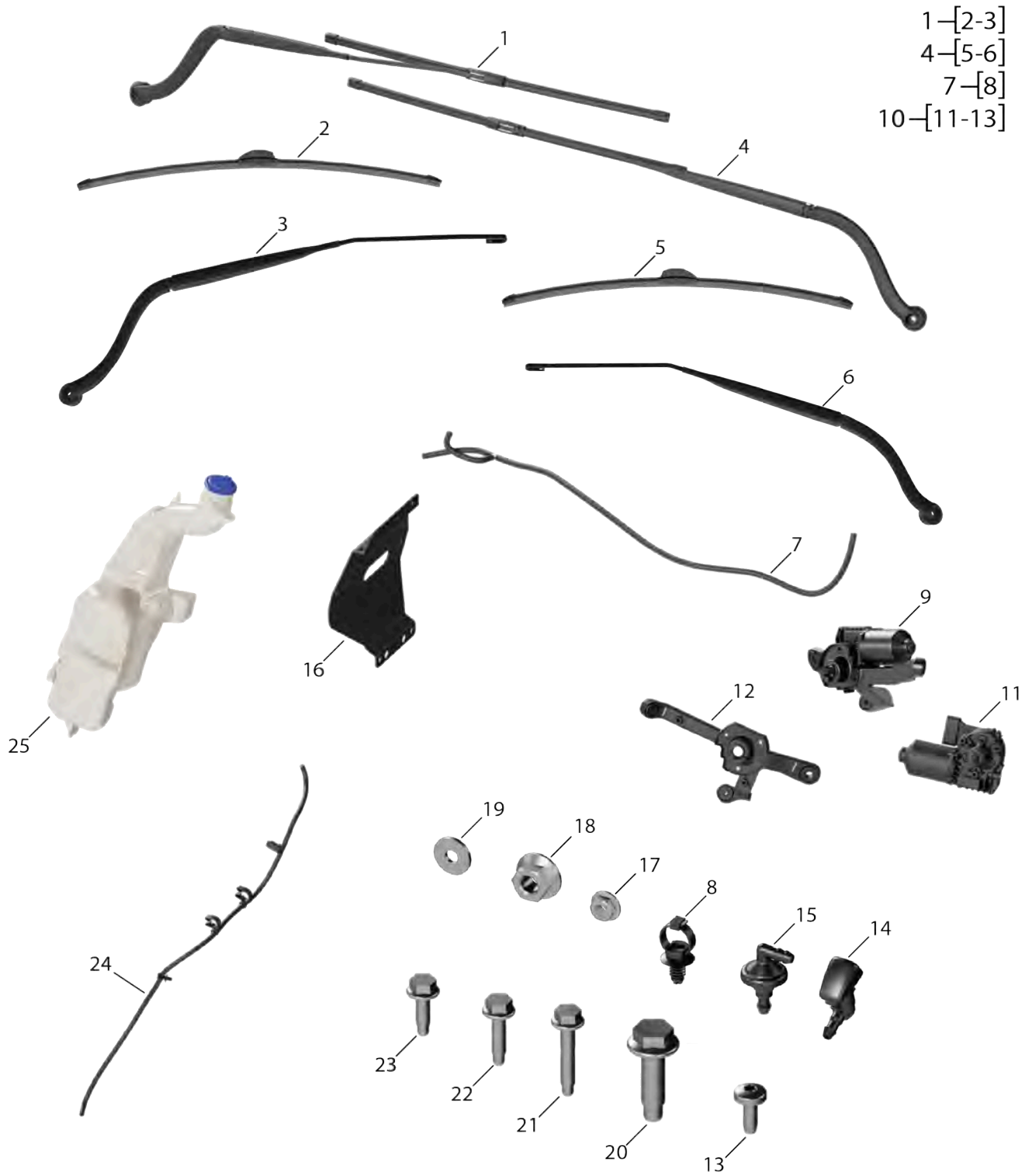


Table 223. CAB WIPER ASSY

Item Number	Part Number	Description	Quantity	Primary Source
1	U022SA	ARM,WIPER,RH	1	Oshkosh Defense
2	U022TA	BLADE,WIPER,RH	1	Oshkosh Defense
3	U022UA	ARM,WIPER,RH	1	Oshkosh Defense
4	U022PA	ARM,WIPER,LH	1	Oshkosh Defense
5	U022QA	BLADE,WIPER,LH	1	Oshkosh Defense
6	U022RA	ARM,WIPER,LH	1	Oshkosh Defense
7	U022ZA	HOSE,WASHER,UPPER 0.16 RB	1	Oshkosh Defense
8	U2763A	MOUNTING BASE,TIE TIEDOWN,ELECTRICAL	2	Oshkosh Defense
9	U0237A	MOTOR,WIPER,RH	1	Oshkosh Defense
10	U0233A	MOTOR,WIPER,LH	1	Oshkosh Defense
11	W000052203	MOTOR,WIPER	1	Oshkosh Defense
12	WA03955	BRKT,MOTOR,WIPER, ASM	1	Oshkosh Defense
13	926.378-9999	SCR,BTN,TRX,SD M6X1	3	Oshkosh Defense
14	U022YA	NOZZLE,WASHER	2	Oshkosh Defense
15	U022NA	FTG,BH90 M5.5BARB MM PL	1	Oshkosh Defense
16	U0230A	BRKT,WASHER BOTTLE, ASSY	1	Oshkosh Defense
17	U421SA	NUT,FLG M6-1.0 C10 MG	2	Oshkosh Defense
18	U022VA	NUT,WLK M10-1.5 C8 MB	2	Oshkosh Defense
19	U022WA	WASHER,FLAT M6X18X1.6	4	Oshkosh Defense
20	U2109A	BOLT,MACHINE M10X35 C10.9 MG	2	Oshkosh Defense
21	U022XA	SCR,FLG,HEX,DGP M6X35 C8.8 MG	4	Oshkosh Defense
22	U4202A	SCR,FLG,HEX,DGP M6X25 C8.8 MG	2	Oshkosh Defense
23	U5200A	SCR,FLG,HEX,DGP M6X20 C8.8 MG	2	Oshkosh Defense
24	U0238A	HOSE ASSY #3 PO 44.5	1	Oshkosh Defense
25	U0239A	RESERVOIR,WASHER, 4.5QT,PL,SW 500 MIC	1	Oshkosh Defense

MIRRORS



Table 224. MIRRORS

Item Number	Part Number	Description	Quantity	Primary Source
1	U0242A	MIRROR ARM,RH,ASSY	1	Oshkosh Defense
2	U0240A	MIRROR ASSY,HEATED	2	Oshkosh Defense
3	U0241A	SCR,FLG,HEX M8-1.25X30 C10.9MG	8	Oshkosh Defense
4	U0243A	MIRROR ARM,LH,ASSY	1	Oshkosh Defense
5	U02SPA	SEAL,MIRROR,LH, 8.00X2.54X.25	1	Oshkosh Defense
6	U02SQA	SEAL,MIRROR,RH, 8.00X2.54X.25	1	Oshkosh Defense

INTERIOR, CAB, BEV

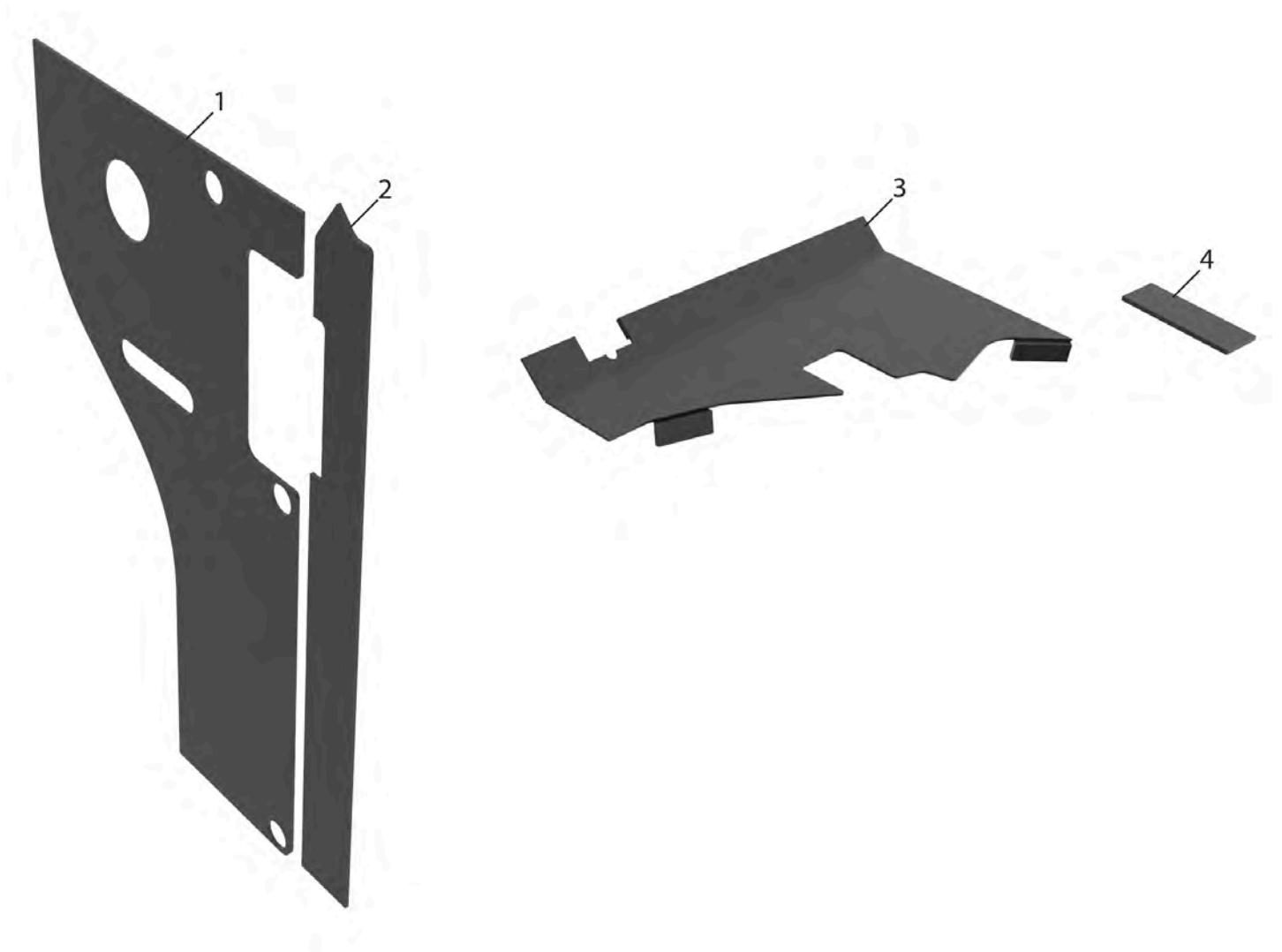


Table 225. INTERIOR,CAB,BEV

Item Number	Part Number	Description	Quantity	Primary Source
1	U027YA	INSULATION,FWD,RH DOOR	1	Oshkosh Defense
2	U027XA	INSULATION,FWD STRIP,RH DOOR	1	Oshkosh Defense
3	U027WA	PANEL,LOWER,DASH, LEG	1	Oshkosh Defense
4	U027ZA	INSULATION,DASH, FLOOR,MID	1	Oshkosh Defense

MODULE, INTEGRATED CLUSTER, BEV, AWD

1-[2]



Table 226. MODULE,INTEGRATED CLUSTER,BEV,AWD

Item Number	Part Number	Description	Quantity	Primary Source
1	D014M767	MODULE ASSY,ECU, IPC,NBA	1	Oshkosh Defense
2	U0300A	GAUGE,INTEGRATED CLUSTER	1	Oshkosh Defense

MODULE, INTEGRATED CLUSTER, BEV, FWD

1-[2]



Table 227. MODULE,INTEGRATED CLUSTER,BEV,FWD

Item Number	Part Number	Description	Quantity	Primary Source
1	D014M766	MODULE ASSY,ECU, IPC,NBF	1	Oshkosh Defense
2	U0300A	GAUGE,INTEGRATED CLUSTER	1	Oshkosh Defense

MODULE, INTEGRATED CLUSTER, ICE, AWD

1-[2]



Table 228. MODULE,INTEGRATED CLUSTER,ICE,AWD

Item Number	Part Number	Description	Quantity	Primary Source
1	D014M768	MODULE ASSY,ECU, IPC,NIA	1	Oshkosh Defense
2	U529GA	GAUGE,INTEGRATED CLUSTER	1	Oshkosh Defense

MODULE, INTEGRATED CLUSTER, ICE, FWD

1-[2]



Table 229. MODULE,INTEGRATED CLUSTER,ICE,FWD

Item Number	Part Number	Description	Quantity	Primary Source
1	D014M765	MODULE ASSY,ECU, IPC,NIF	1	Oshkosh Defense
2	U529GA	GAUGE,INTEGRATED CLUSTER	1	Oshkosh Defense

MODULE, RADIO

1-[2]

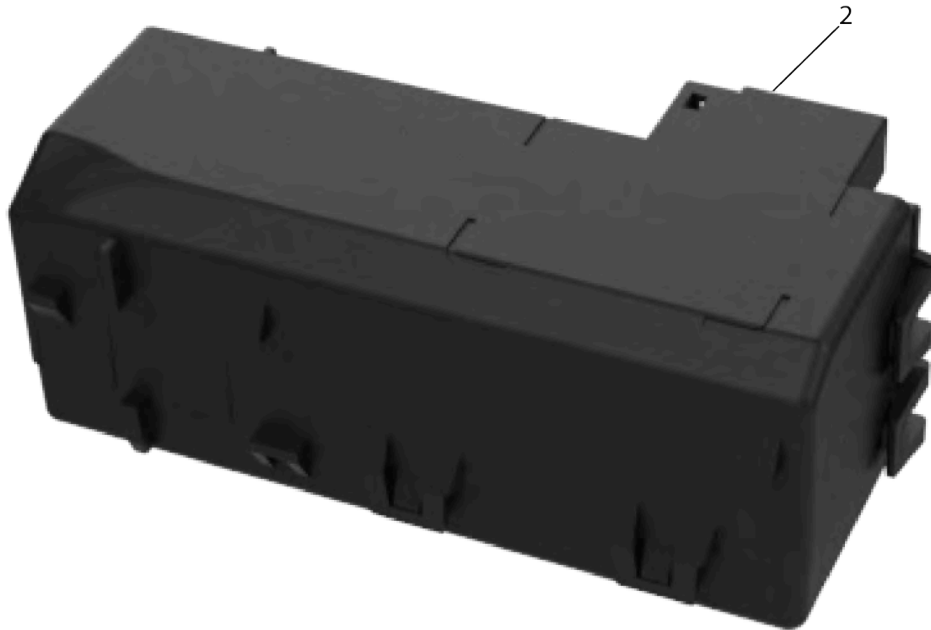


Table 230. MODULE,RADIO

Item Number	Part Number	Description	Quantity	Primary Source
1	D014M647	MODULE ASSY,ECU, RTM,NXX	1	Oshkosh Defense
2	U3515A	MODULE,TRSCV,RADIO CTRL	1	Oshkosh Defense



UNIBODY, BEV

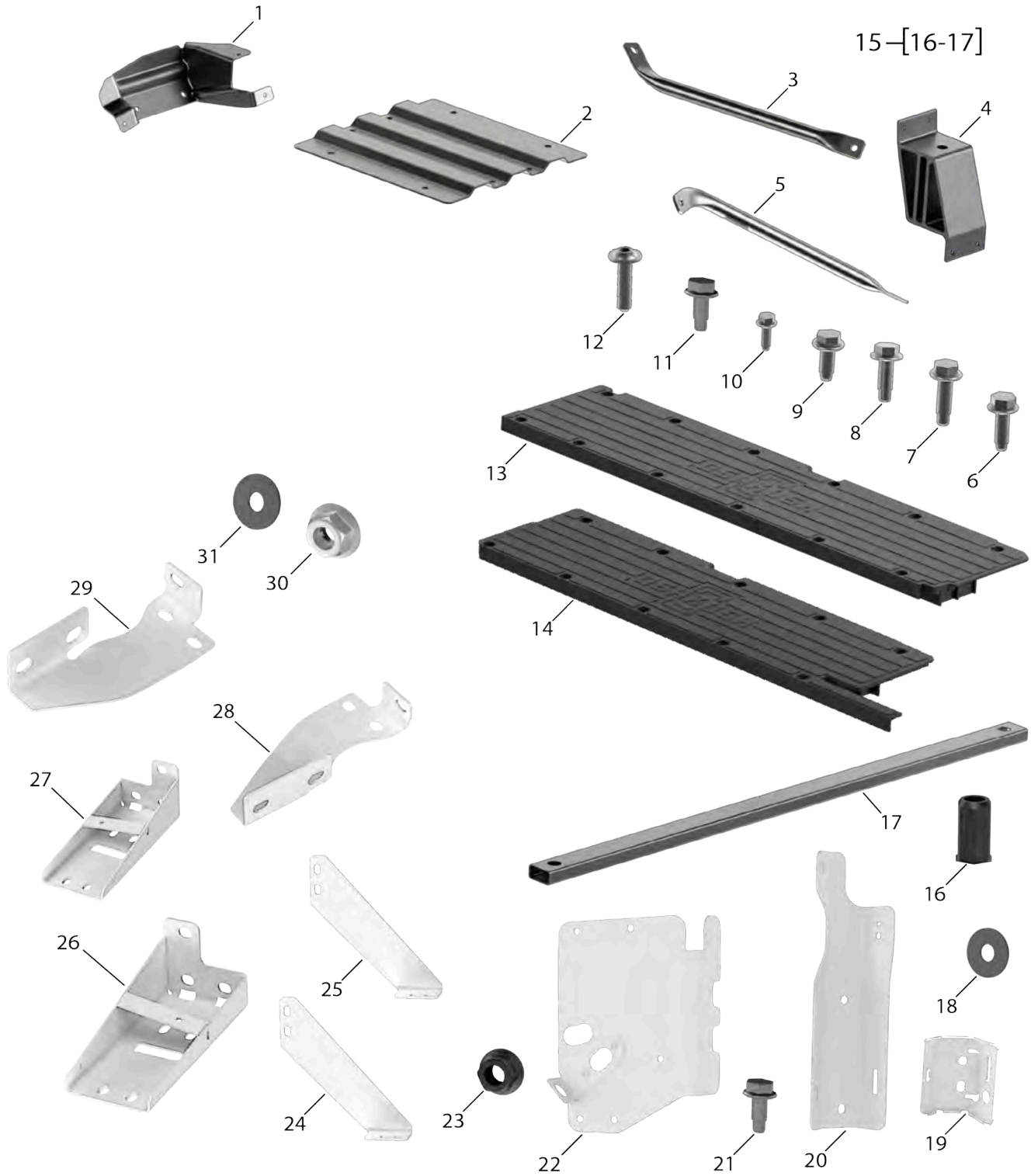


Table 231. UNIBODY,BEV

Item Number	Part Number	Description	Quantity	Primary Source
1	U02HKA	BRKT,FIREWALL,IP, ASSY	1	Oshkosh Defense
2	U02HGA	FTK ACCESS COVER	1	Oshkosh Defense
3	U02HHA	TUBE,BRACE,S,RH	1	Oshkosh Defense
4	U02JJA	EXTRUSION,BTRY MT	6	Oshkosh Defense
5	U02HJA	TUBE,BRACE,S,LH	1	Oshkosh Defense
6	U2104A	SCR,FLG,HEX M8-1.25X25 C10.9MG	12	Oshkosh Defense
7	U2109A	BOLT,MACHINE M10X35 C10.9 MG	6	Oshkosh Defense
8	U027CA	SCR,FLG,HEX,DGP M8X30 C8.8 MG	18	Oshkosh Defense
9	U131SA	SCREW,CAP,HEXAGON HEAD,M10-1.5X25 C10.9 MG	4	Oshkosh Defense
10	U02HFA	SCR,FLG,HEX M6-1.0X20 C10.9 MG	3	Oshkosh Defense
11	U0204A	SCREW,MACHINE M6-1.0X16 C10.9 MG	4	Oshkosh Defense
12	U4202A	SCR,FLG,HEX,DGP M6X25 C8.8 MG	22	Oshkosh Defense
13	U02HQA	STEP,CAB	1	Oshkosh Defense
14	U02HPA	STEP,CARGO	1	Oshkosh Defense
15	U02HLA	STRUT TWR SPRT TUBE	1	Oshkosh Defense
16	U02HMA	INSERT,SCREW THREAD M6-1.0X3.5 ZP C8.8	6	Oshkosh Defense
17	U02HNA	TUBE,STRUT,TWR,SPRT	1	Oshkosh Defense
18	U02T5A	WASH,FLT M20X50X6.0 MB HDN	4	Oshkosh Defense
19	U02HRA	BRKT,TRIM	2	Oshkosh Defense
20	U02HSA	BRKT,TRIM MTG,UPPER	1	Oshkosh Defense
21	U1501A	SCR,FLG,HEX,DGP M8X20 C8.8 MG	6	Oshkosh Defense
22	U02HTA	LOCK BOX,C PILLAR, RH,WLDMT	1	Oshkosh Defense
23	U1500A	NUT,SELF-LOCKING,EXTENDED WASHER M8-1.25 C10MB	12	Oshkosh Defense
24	U02HYA	GUSSET,SHELF PILLAR,RH	1	Oshkosh Defense
25	U02HZA	GUSSET,SHELF PILLAR,LH	1	Oshkosh Defense
26	U02JOA	XMBR,SPRT,RH,WLDMT	1	Oshkosh Defense
27	U02J1A	XMBR,SPRT,LH,WLDMT	1	Oshkosh Defense
28	U02J2A	BRKT,REAR,ANGLE,RH	1	Oshkosh Defense
29	U02J3A	BRKT,REAR,ANGLE,LH	1	Oshkosh Defense
30	U010VA	NUT,FLG M8-1.25 C10 EXTENDED WASHER,HEXAGON M8-1.25 C10 MB	2	Oshkosh Defense
31	U4230A	WASHER,FLAT M6X18X1.6 MB	22	Oshkosh Defense

UNIBODY,ICE

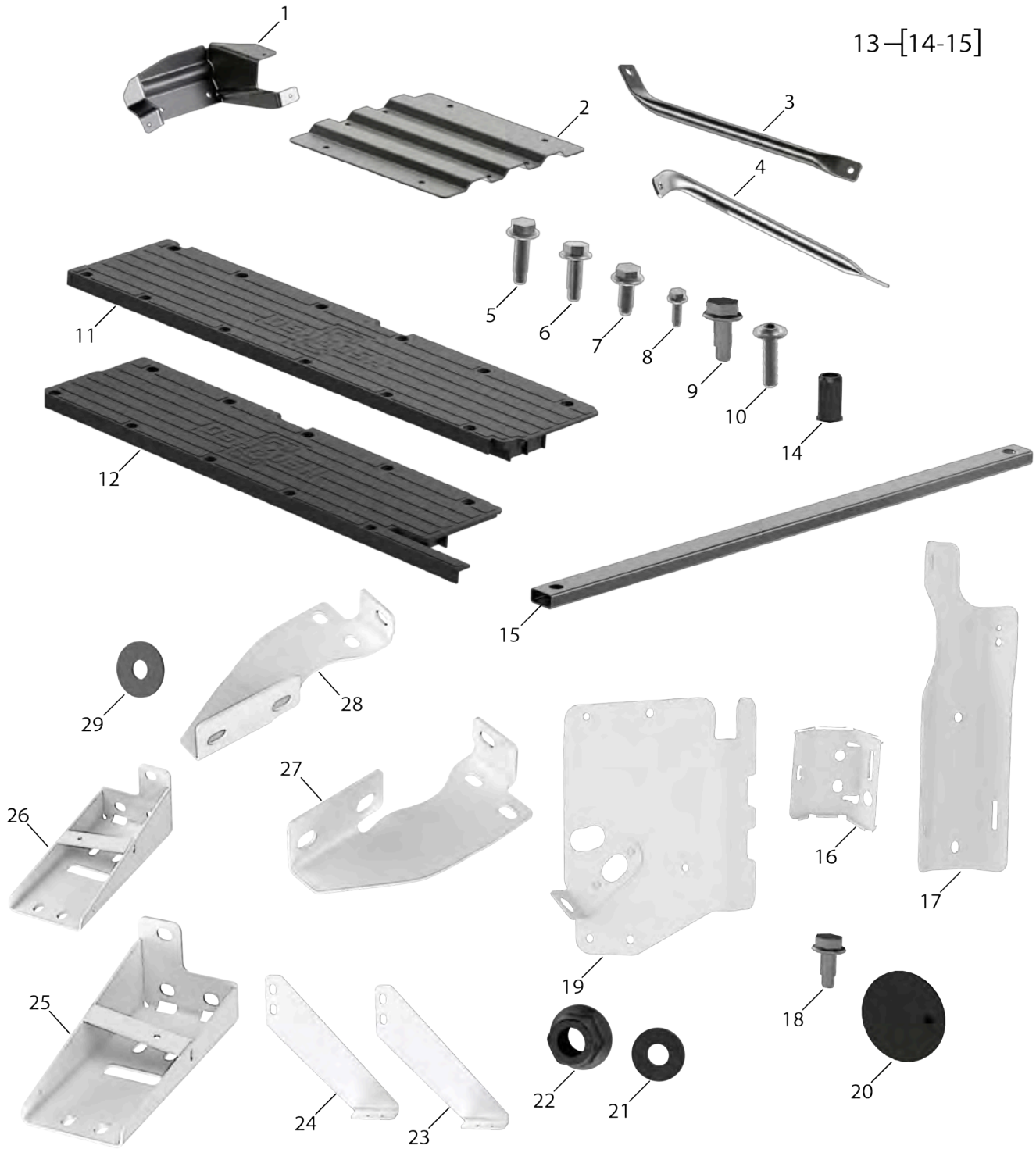
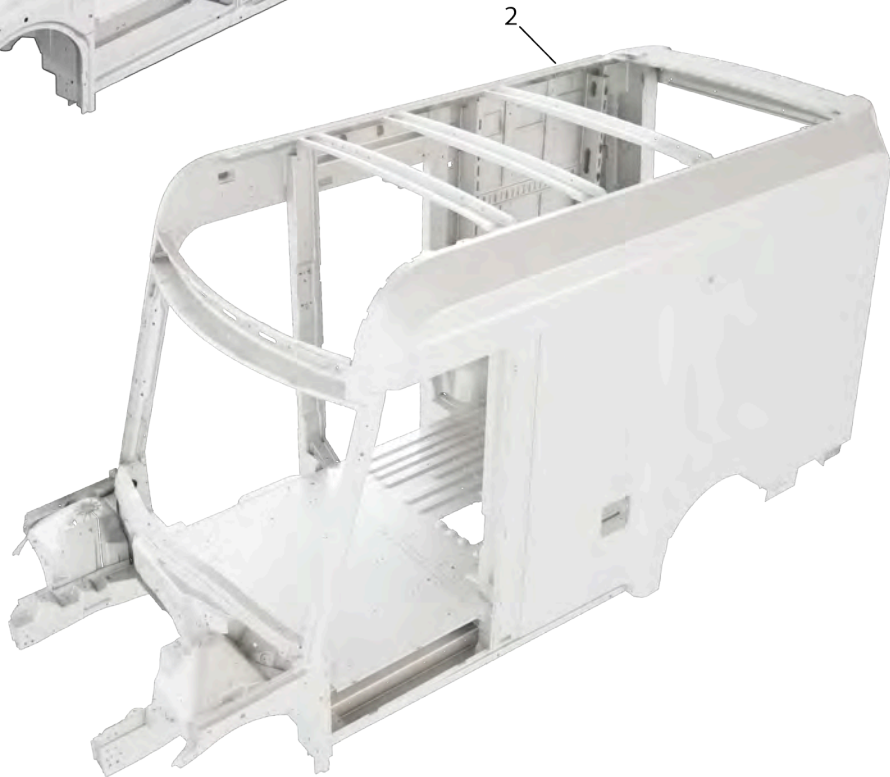


Table 232. UNIBODY,ICE

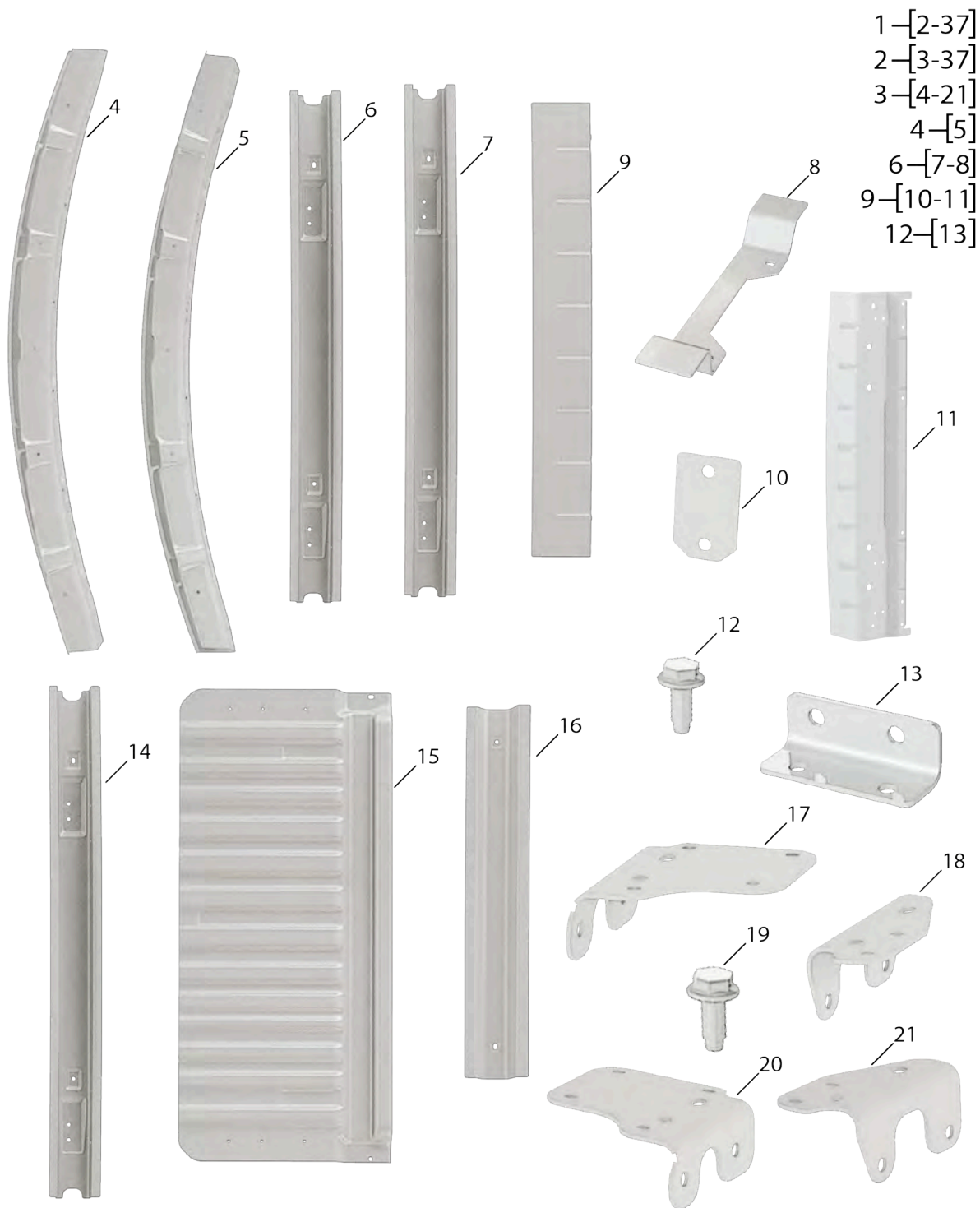
Item Number	Part Number	Description	Quantity	Primary Source
1	U02HKA	BRKT,FIREWALL,IP, ASSY	1	Oshkosh Defense
2	U02HGA	FTK ACCESS COVER	1	Oshkosh Defense
3	U02HHA	TUBE,BRACE,S,RH	1	Oshkosh Defense
4	U02HJA	TUBE,BRACE,S,LH	1	Oshkosh Defense
5	U2109A	BOLT,MACHINE M10X35 C10.9 MG	6	Oshkosh Defense
6	U027CA	SCR,FLG,HEX,DGP M8X30 C8.8 MG	18	Oshkosh Defense
7	U131SA	SCREW,CAP,HEXAGON HEAD,M10-1.5X25 C10.9 MG	4	Oshkosh Defense
8	U02HFA	SCR,FLG,HEX M6-1.0X20 C10.9 MG	3	Oshkosh Defense
9	U0204A	SCREW,MACHINE M6-1.0X16 C10.9 MG	4	Oshkosh Defense
10	U4202A	SCR,FLG,HEX,DGP M6X25 C8.8 MG	22	Oshkosh Defense
11	U02HQA	STEP,CAB	1	Oshkosh Defense
12	U02HPA	STEP,CARGO	1	Oshkosh Defense
13	U02HLA	STRUT TWR SPRT TUBE	1	Oshkosh Defense
14	U02HMA	INSERT,SCREW THREAD M6-1.0X3.5 ZP C8.8	6	Oshkosh Defense
15	U02HNA	TUBE,STRUT,TWR,SPRT	1	Oshkosh Defense
16	U02HRA	BRKT,TRIM	2	Oshkosh Defense
17	U02HSA	BRKT,TRIM MTG,UPPER	1	Oshkosh Defense
18	U1501A	SCR,FLG,HEX,DGP M8X20 C8.8 MG	6	Oshkosh Defense
19	U02HTA	LOCK BOX,C PILLAR, RH,WLDMT	1	Oshkosh Defense
20	U02HUA	GROMMET,85MM,RBR	1	Oshkosh Defense
21	U02T5A	WASH,FLT M20X50X6.0 MB HDN	4	Oshkosh Defense
22	U010VA	NUT,FLG M8-1.25 C10 MG	2	Oshkosh Defense
23	U02HYA	GUSSET,SHELF PILLAR,RH	1	Oshkosh Defense
24	U02HZA	GUSSET,SHELF PILLAR,LH	1	Oshkosh Defense
25	U02J0A	XMBR,SPRT,RH,WLDMT	1	Oshkosh Defense
26	U02J1A	XMBR,SPRT,LH,WLDMT	1	Oshkosh Defense
27	U02J2A	BRKT,REAR,ANGLE,RH	1	Oshkosh Defense
28	U02J3A	BRKT,REAR,ANGLE,LH ASSY	1	Oshkosh Defense
29	U4230A	WASHER,FLAT M6X18X1.6 MB	22	Oshkosh Defense

1-[2-37]

2-[3-37]



UNIBODY,AWD



CAB SHELL

UNIBODY,AWD

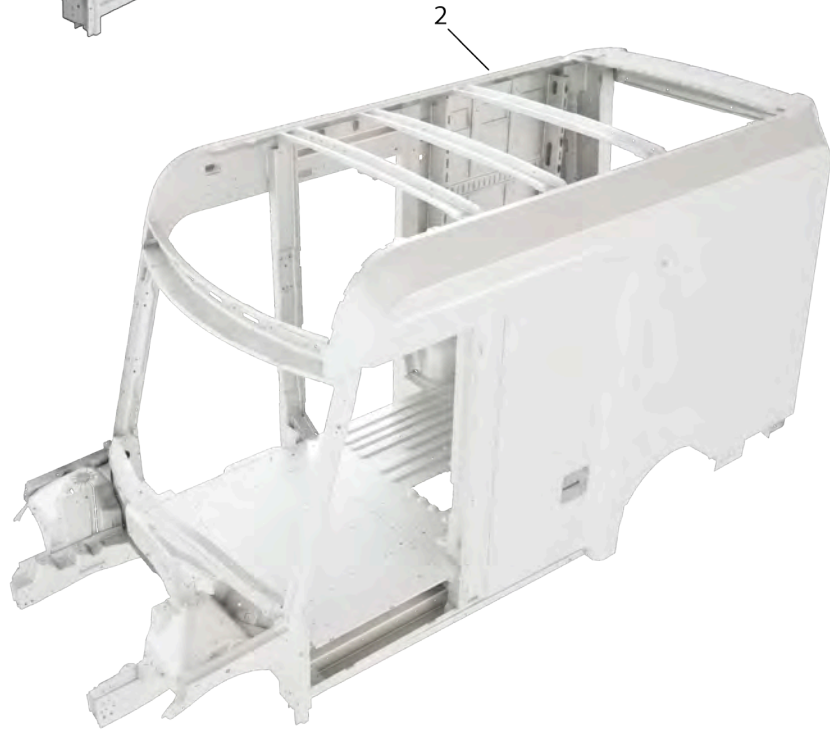


Table 233. UNIBODY,AWD

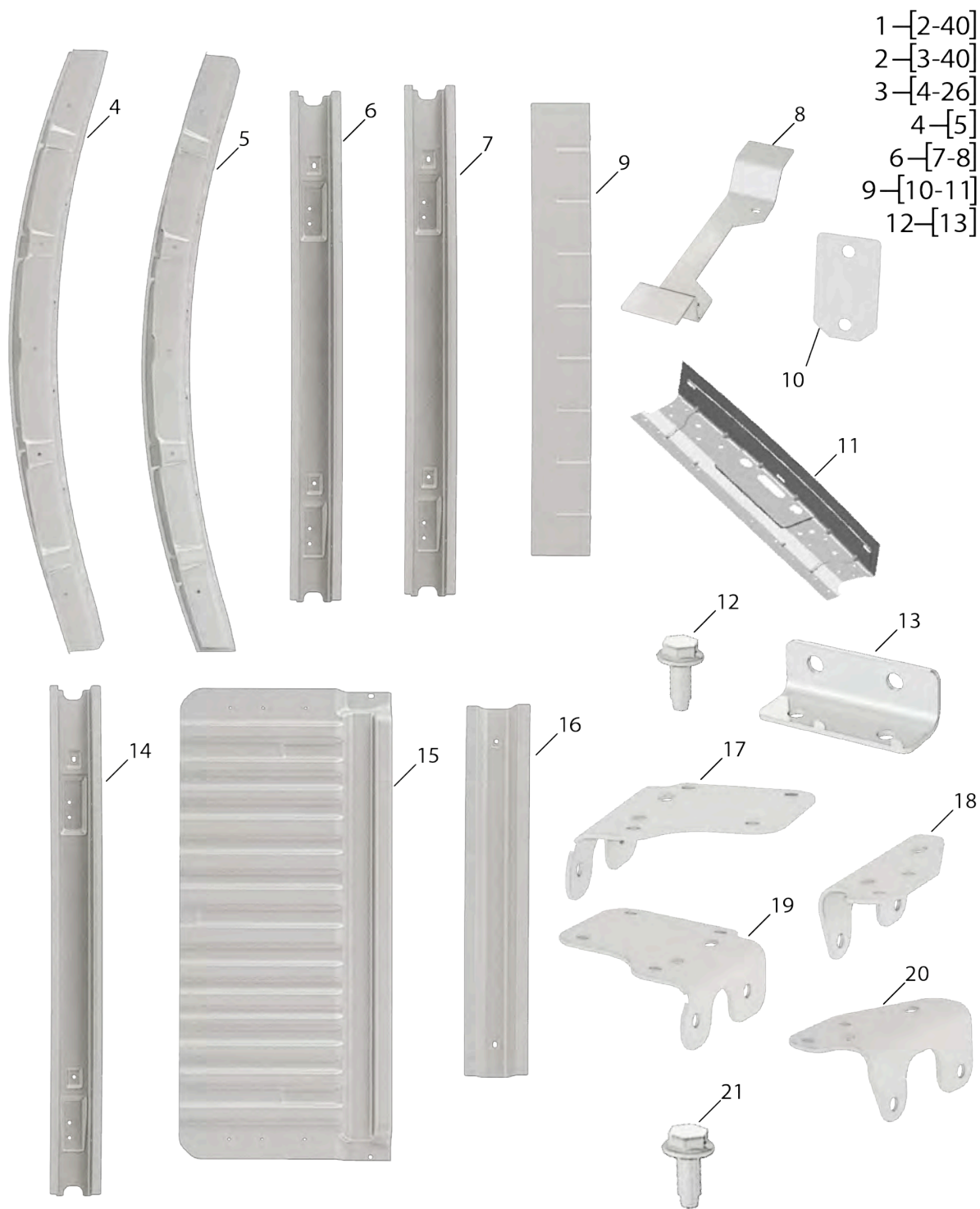
Item Number	Part Number	Description	Quantity	Primary Source
1	U0297A	UNIBODY,BIW,AWD	1	Oshkosh Defense
2	COS1000092700	UNIBODY,SKINNED AWD ASSY	1	Oshkosh Defense
3	COS1000092701	UNIBODY,FRAME AWD ASSY	1	Oshkosh Defense
4	U02CQA	HDR CLOSEOUT ASSY	1	Oshkosh Defense
5	COS1000017187	PNL,ROOF,FULL LENGTH	1	Oshkosh Defense
6	U02CRA	ROOF BOW ASSY	1	Oshkosh Defense
7	U0298A	ROOF BRACE,FR,STPG	1	Oshkosh Defense
8	U02CSA	BRKT,LIGHT,DOVE	1	Oshkosh Defense
9	U02CTA	ROOF,HDR,RR,ASSY	1	Oshkosh Defense
10	D008J588	PLATE,TAPPING,OH, MT BLKG	2	Oshkosh Defense
11	U02CUA	HDR,ROOF,RR,STPG	1	Oshkosh Defense
12	COS1000116207_00	UNDERBODY FASTENER ASSY	1	Oshkosh Defense
13	U02FGA	BRKT,PTN,LWR,OTR,RR STPG	1	Oshkosh Defense
14	U0298A	ROOF BRACE,FR,STPG	2	Oshkosh Defense
15	U0299A	FLOOR,CTR,RR	1	Oshkosh Defense
16	U02CPA	ROOF,BOW,END CAP,RH RFMD	1	Oshkosh Defense
17	U02FHA	BRKT,RR RAIL SUB,LH	1	Oshkosh Defense
18	U02FJA	BRKT,RR RAIL SUB,LH	1	Oshkosh Defense
19	U0204A	SCREW,MACHINE M6-1.0X16 C10.9 MG	12	Oshkosh Defense
20	U02FKA	BRKT,RR RAIL SUB,RH	1	Oshkosh Defense
21	U02FLA	BRKT,RR RAIL SUB,RH	1	Oshkosh Defense
22	COS1000116848	PNL ROOF SUB 1,FR ASSY	1	Oshkosh Defense
23	U02FMA	PNL,ROOF,FR STPG	1	Oshkosh Defense
24	U02FNA	PNL,ROOF,FULL LENGTH RFMD	1	Oshkosh Defense
25	COS1000116852	PNL ROOF SUB 2,RR ASSY	1	Oshkosh Defense
26	U02FPA	PNL,ROOF,RR STPG	1	Oshkosh Defense
27	U02FQA	PNL,RR ROOF,FILLER STPG	1	Oshkosh Defense
28	U02AWA	D PLR RH ASSY	1	Oshkosh Defense
29	U02AXA	A PLR,HPLR ,RH ASSY	1	Oshkosh Defense
30	U02AZA	OUTRIGGER RR,RH ASSY	1	Oshkosh Defense
31	U02FSA	SCR,FLG,HEX M8-1.25	4	Oshkosh Defense
32	U02FTA	WASH,FLT M8X24X2.0	4	Oshkosh Defense
33	U02FUA	HOOD,BIW,BNDMT	1	Oshkosh Defense
34	U02FVA	HINGE,HOOD,RH	1	Oshkosh Defense
35	U02FWA	HINGE,HOOD,LH	1	Oshkosh Defense
36	U02J4A	BRKT,BEVPORT,RR, ASSY,REFER TO VIN	1	Oshkosh Defense
36	U02J4B	BRKT,BEVPORT,RR, ASSY,REFER TO VIN	1	Oshkosh Defense
37	U02J5A	RIVET,BLD,RND .187X.27 AL	4	Oshkosh Defense

UNIBODY, FWD

1-[2-40]
2-[3-40]



UNIBODY,FWD



CAB SHELL

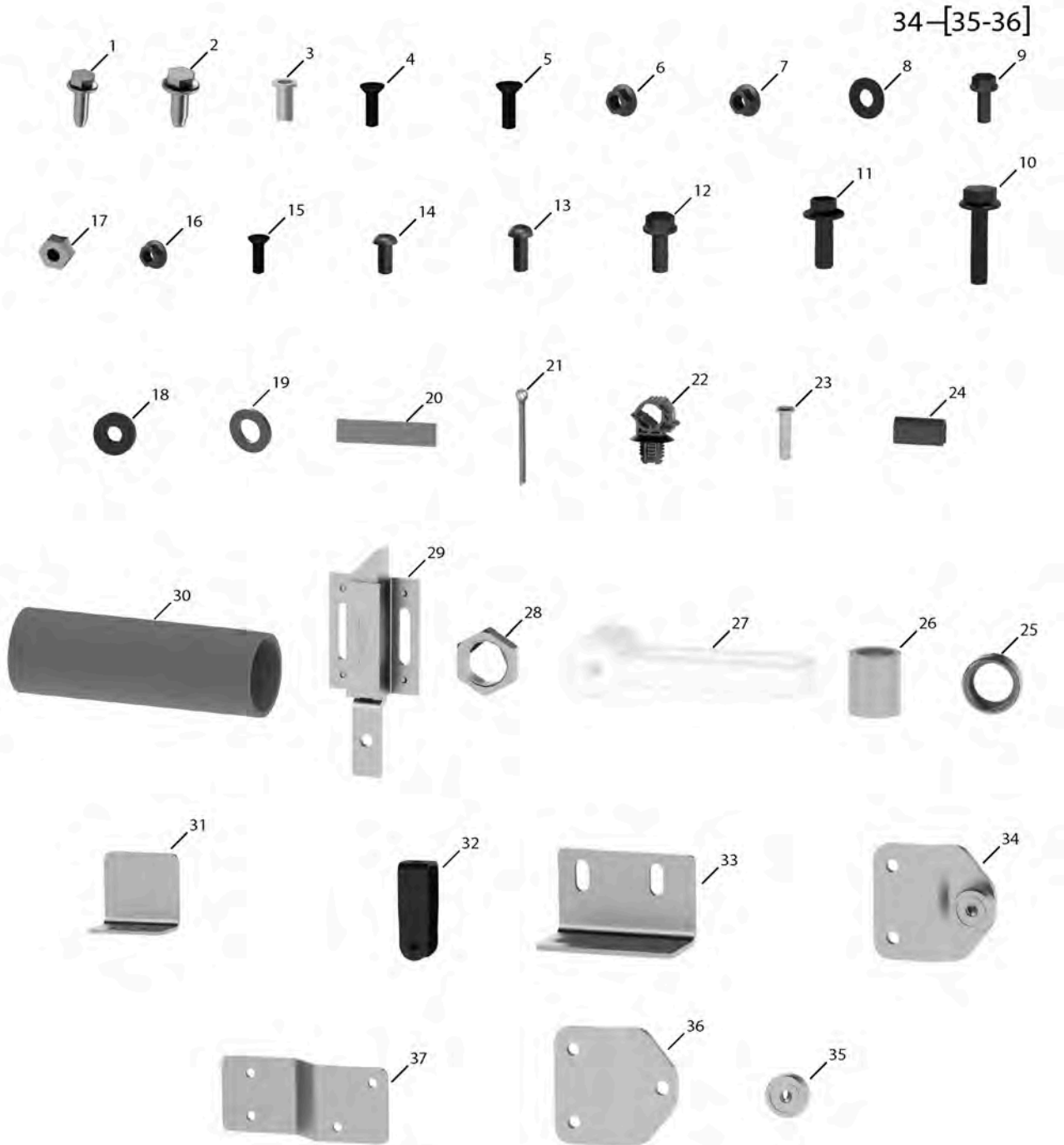
UNIBODY,FWD



Table 234. UNIBODY,FWD

Item Number	Part Number	Description	Quantity	Primary Source
1	U02J6A	UNIBODY,BIW,FWD	1	Oshkosh Defense
2	COS1000013100	UNIBODY,SKINNED ASSY	1	Oshkosh Defense
3	COS1000013000	UNIBODY,SKINNED ASSY	1	Oshkosh Defense
4	U02CQA	HDR CLOSEOUT ASSY	1	Oshkosh Defense
5	COS1000017187	PNL,ROOF,FULL LENGTH	1	Oshkosh Defense
6	U02CRA	ROOF BOW ASSY	1	Oshkosh Defense
7	U0298A	ROOF BRACE,FR,STPG	1	Oshkosh Defense
8	U02CSA	BRKT,LIGHT,DOVE	1	Oshkosh Defense
9	U02CTA	ROOF,HDR,RR,ASSY	1	Oshkosh Defense
10	D008J588	PLATE,TAPPING,OH, MT BLKG	2	Oshkosh Defense
11	U02CUA	HDR,ROOF,RR,STPG	1	Oshkosh Defense
12	COS1000116207_00	UNDERBODY FASTENER ASSY	1	Oshkosh Defense
13	U02FGA	BRKT,PTN,LWR,OTR,RR STPG	1	Oshkosh Defense
14	U0298A	ROOF BRACE,FR,STPG	2	Oshkosh Defense
15	U0299A	FLOOR,CTR,RR	1	Oshkosh Defense
16	U02CPA	ROOF,BOW,END CAP,RH RFMD	1	Oshkosh Defense
17	U02FHA	BRKT,RR RAIL SUB,LH	1	Oshkosh Defense
18	U02FJA	BRKT,RR RAIL SUB,LH	1	Oshkosh Defense
19	U02FKA	BRKT,RR RAIL SUB,RH	1	Oshkosh Defense
20	U02FLA	BRKT,RR RAIL SUB,RH	1	Oshkosh Defense
21	COS1000139927	B/C PLR REINF BOLT ASSY	1	Oshkosh Defense
22	U02CGA	EXTRN,B PLR,LH,RFMD	1	Oshkosh Defense
23	U02CUA	HDR,ROOF,RR,STPG	1	Oshkosh Defense
24	U02F4A	RAIL,EXT AWD,RR,RH STPG	1	Oshkosh Defense
25	U02F6A	BRKT,SPRT,AWD,RR, RH,STPG	1	Oshkosh Defense
26	U02F7A	5TH XMBR SPRT STPG	1	Oshkosh Defense
27	COS1000116848	PNL ROOF SUB 1,FR ASSY	1	Oshkosh Defense
28	U02FMA	PNL,ROOF,FR STPG	1	Oshkosh Defense
29	U02FNA	PNL,ROOF,FULL LENGTH RFMD	1	Oshkosh Defense
30	COS1000116852	PNL ROOF SUB 2,RR ASSY	1	Oshkosh Defense
31	U02FPA	PNL,ROOF,RR STPG	1	Oshkosh Defense
32	U02FQA	PNL,RR ROOF,FILLER STPG	1	Oshkosh Defense
33	U02F3A	BRKT,SUBFR MTG,AWD, RH STPG	1	Oshkosh Defense
34	U02FSA	SCR,FLG,HEX M8-1.25	4	Oshkosh Defense
35	U02FTA	WASH,FLT M8X24X2.0	4	Oshkosh Defense
36	U02FUA	HOOD,BIW,BNDMT	1	Oshkosh Defense
37	U02FVA	HINGE,HOOD,RH	1	Oshkosh Defense
38	U02FWA	HINGE,HOOD,LH	1	Oshkosh Defense
39	U02J4A	BRKT,BEVPORT,RR, ASSY,REFER TO VIN	1	Oshkosh Defense
39	U02J4B	BRKT,BEVPORT,RR, ASSY,REFER TO VIN	1	Oshkosh Defense
40	U02J5A	RIVET,BLD,RND .187X.27 AL	4	Oshkosh Defense

PARTITION WALLS



PARTITION WALLS



PARTITION WALLS



PARTITION WALLS

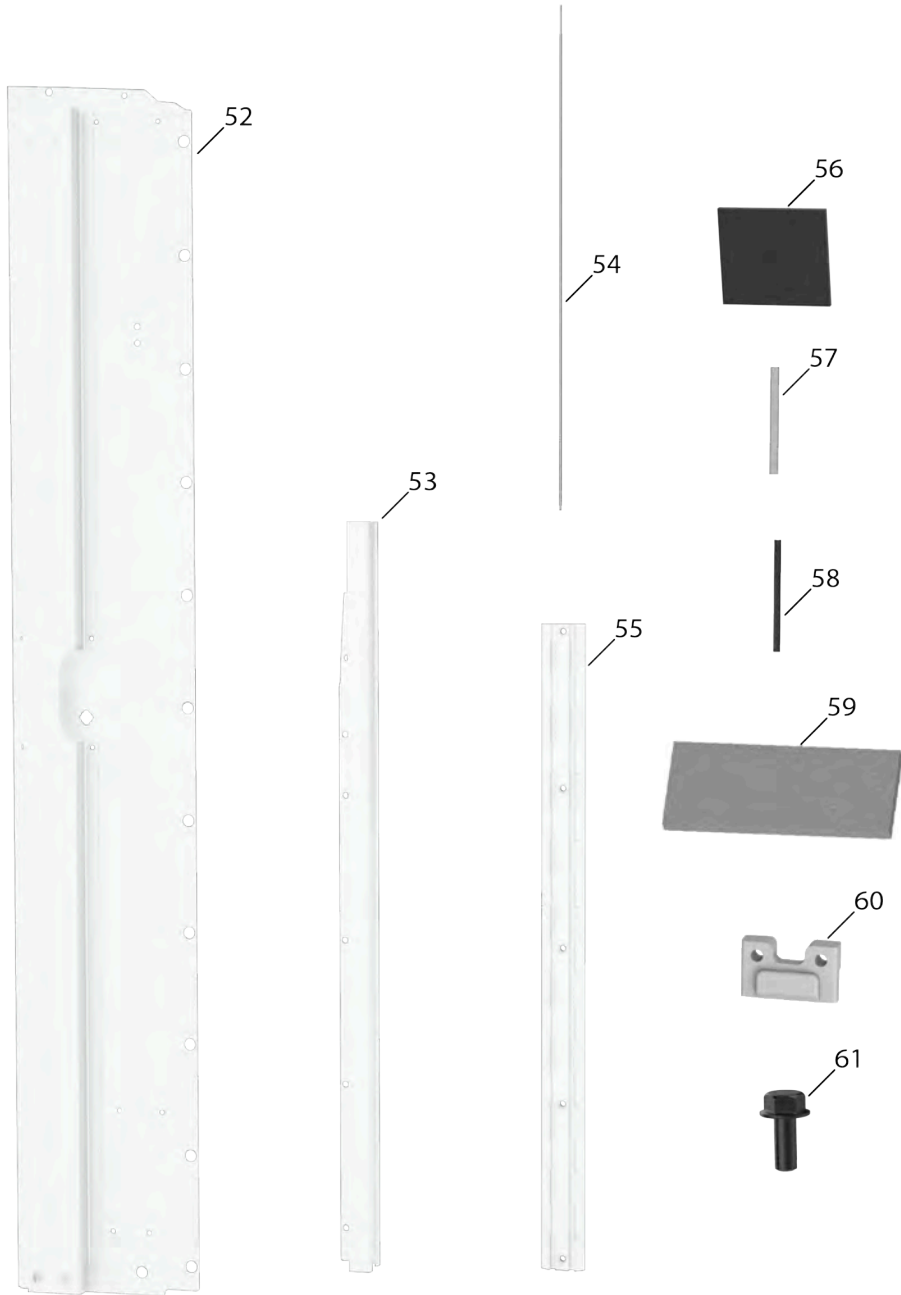


Table 235. PARTITION WALLS

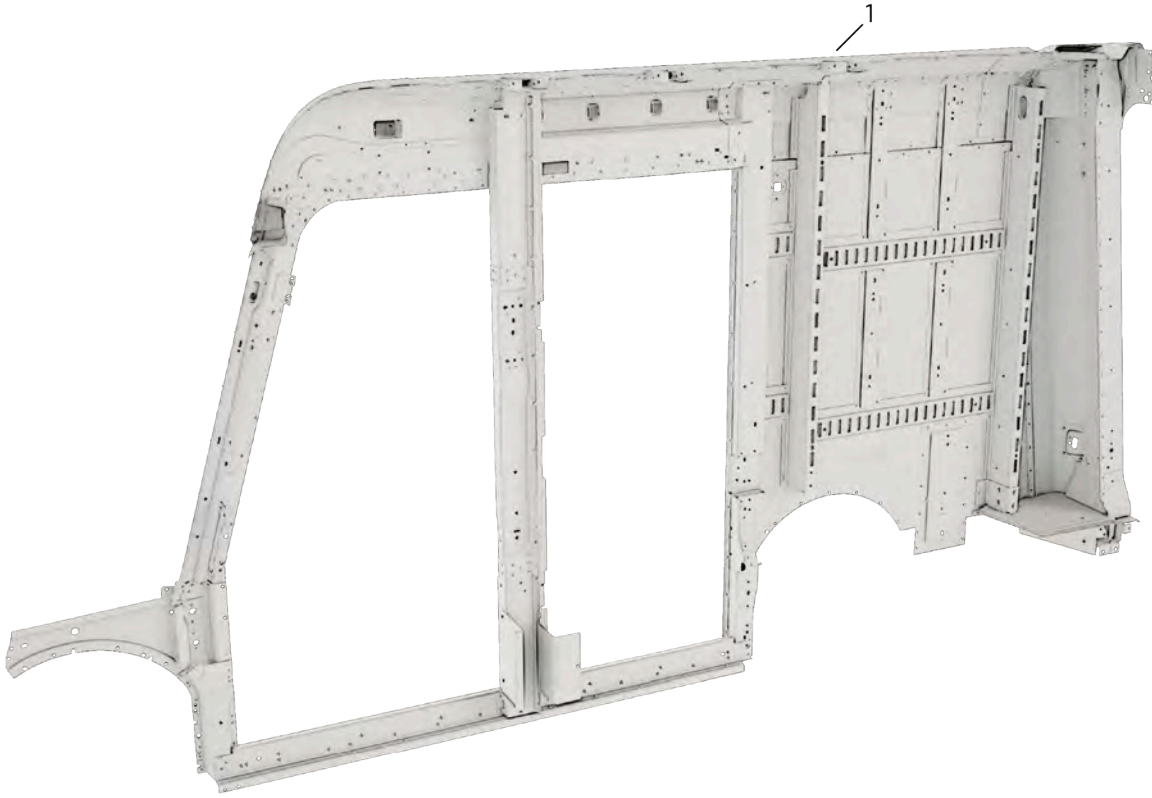
Item Number	Part Number	Description	Quantity	Primary Source
1	U2104A	SCR,FLG,HEX M8-1.25X25 C10.9MG	41	Oshkosh Defense
2	U131SA	SCREW,CAP,HEXAGON HEAD,M10-1.5X25 C10.9 MG	2	Oshkosh Defense
3	U0231A	INSERT,SCREW THREAD M6-1.0X4.20 TZ	6	Oshkosh Defense
4	U02G3A	SCREW,CAP,SOCKET HEAD,M8-1.25X25 C10.9 MB	8	Oshkosh Defense
5	U02G4A	SCR,FLT,SOC,SPL M8-1.25X30	5	Oshkosh Defense
6	U132EA	NUT,SELF-LOCKING, EXTENDED WASHER,HEXAGON, M6-1.0 C10 MB	13	Oshkosh Defense
7	U1500A	NUT,SELF-LOCKING, EXTENDED WASHER,HEXAGON M8-1.25 C10 MB	29	Oshkosh Defense
8	U02G6A	WASHER,FLAT M10X30X2.0 MB	24	Oshkosh Defense
9	U02G7A	SCR,FLG,HEX M5-0.8X16 C10.9 MB	2	Oshkosh Defense
10	U02G0A	SCREW,CAP,HEXAGON HEAD,M6-1.0X40 C10.9 MB	4	Oshkosh Defense
11	U131KA	SCREW,CAP,HEXAGON HEAD,M6-1.0X20 C10.9 MB	8	Oshkosh Defense
12	U132CA	SCREW,CAP,HEXAGON HEAD,M6-1.0X16 C10.9 MB	8	Oshkosh Defense
13	U02STA	SCR,BTN,SOC HEAD,M8-1.25X25 C10.9 Zn	3	Oshkosh Defense
14	U02G1A	SCREW,CAP,SOCKET HEAD,M8-1.25X20 C10.9 MB	12	Oshkosh Defense
15	U02G2A	SCREW,CAP,SOCKET HEAD,M6-1.0X30 C10.9 MB	2	Oshkosh Defense
16	U02FXA	NUT,SELF-LOCKING, EXTENDED WASHER,HEXAGON, M5-0.8 C8.8 MB	2	Oshkosh Defense
17	U02G5A	NUT,PLAIN,HEXAGON M6-1.0 C10 MB	1	Oshkosh Defense
18	U02GRA	WASH,FLT M8X22X4.5 MG	1	Oshkosh Defense
19	U02H8A	WASHER,FLAT M8X16X1.6 MB	2	Oshkosh Defense
20	U02HBA	FOAM STRIP .5X.5X2.95	10	Oshkosh Defense
21	U02HAA	PIN,COT HMR .06X.75 SS	1	Oshkosh Defense
22	U02H5A	CLIP,LOCKING-OMEGA 5-9MM NY	1	Oshkosh Defense
23	U02GKA	PIN,CLV .25X1.00 SS 6X25	1	Oshkosh Defense
24	U02H6A	QUICKEDGE-MOLDING 25.4MM LONG	1	Oshkosh Defense
25	U02GGA	SPCR,PARTITION LOCK CYLINDER	1	Oshkosh Defense
26	U02H1A	SPCR 32,DOOR HANDLE,PARTITION	1	Oshkosh Defense
27	U02GHA	HANDLE,HATCH,INNER, LH	2	Oshkosh Defense
28	U02FYA	NUT,LOCK CYLINDER,R	1	Oshkosh Defense
29	U02FZA	LATCH,HOLD OPEN, CGO,RH	1	Oshkosh Defense
30	U02HDA	SPCR 55,DOOR HANDLE,PARTITION	1	Oshkosh Defense
31	U02GCA	BRKT,DOOR STOP	3	Oshkosh Defense
32	U02GJA	BRKT,ROPE END,CARGO DOOR	1	Oshkosh Defense
33	U02GMA	BRKT,LWR,PARTITION LH	1	Oshkosh Defense
34	U02GDA	BEARING,DOOR, PARTITION,ASSY	6	Oshkosh Defense
35	U02GFA	BRG,ROLLER ASSY 1.12X.36	1	Oshkosh Defense
36	U02GEA	BRKT,ROLLER, PARTITION	1	Oshkosh Defense
37	U02GBA	BRKT,DOOR HOLD OPEN	1	Oshkosh Defense
38	U02SVA	LOCK BOX,DOOR,RH	1	Oshkosh Defense
39	U02GPA	LATCH,PARTITION, DOOR	1	Oshkosh Defense
40	U02HCA	PLATE,DOOR STOP	3	Oshkosh Defense
41	U02GYA	BRKT,LWR,PARTITION WALL,RH	1	Oshkosh Defense
42	U02GXA	BRKT,UPR,PARTITION WALL,RH	1	Oshkosh Defense
43	U02GAA	GUIDE,DOOR, PARTITION	2	Oshkosh Defense
44	U02GNA	BRKT,UPR,PARTITION LH	1	Oshkosh Defense
45	U02GQA	SPCR,DOOR,HANDLE, INTERIOR	1	Oshkosh Defense
46	U02H3A	BRKT,LATCH MTG, PARTITION,WLDMT	1	Oshkosh Defense
47	U02H4A	COVER,LOCKBOX	1	Oshkosh Defense
48	U02GZA	BRKT,PARTITION,STOP	2	Oshkosh Defense
49	U02GVA	PARTITION,FOLLOW DOOR	1	Oshkosh Defense
50	U02GUA	PARTITION,LEAD DOOR	1	Oshkosh Defense
51	U02GTA	PANEL,PARTITION,FR, RH,WLDMT	1	Oshkosh Defense
52	U02GSA	PANEL,PARTITION, FR,LH,WLDMT	1	Oshkosh Defense
53	U02GWA	EXTRUSION,DOOR, TRCK,HORIZONTAL	1	Oshkosh Defense
54	U02H2A	CABLE,DOOR HOLD OPEN	1	Oshkosh Defense
55	U02G9A	GUIDE,FLOOR, PARTITION DOOR	1	Oshkosh Defense
56	U02HEA	TAPE,FOAM .13X2X2.25	2	Oshkosh Defense

Table 235. PARTITION WALLS (continued)

Item Number	Part Number	Description	Quantity	Primary Source
57	U02H0A	ROD,LOCK,PARTITION DOOR	1	Oshkosh Defense
58	U02H7A	QUICKEDGE-MOLDING 171.5MM LONG	1	Oshkosh Defense
59	U02H9A	TAPE,PRESSURE SENSI	3	Oshkosh Defense
60	U02G8A	BRKT,DOOR STOP, ASSY	1	Oshkosh Defense
61	U02FSA	SCR,FLG,HEX M8-1.25	7	Oshkosh Defense

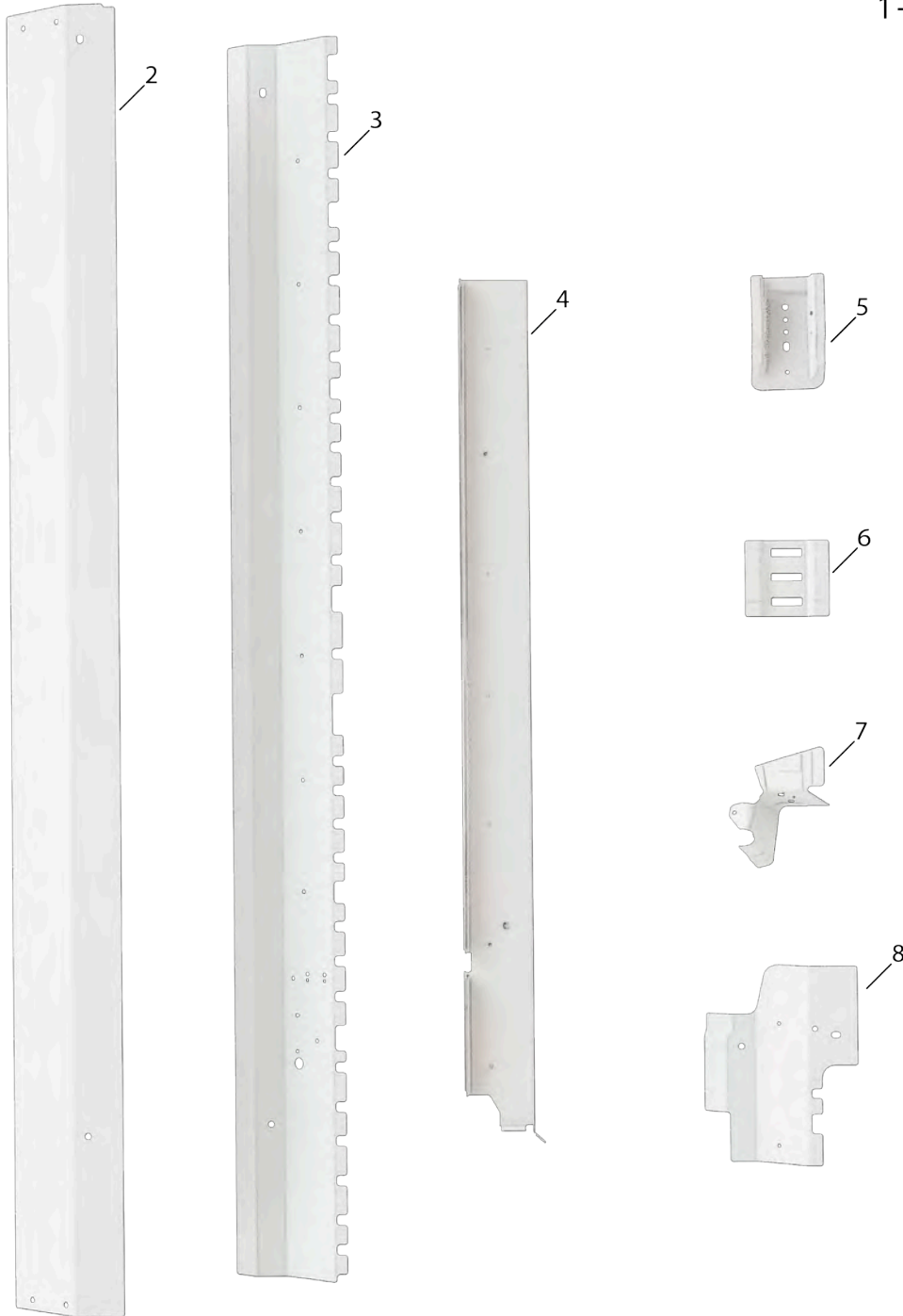
BODYSIDE,RH ASSY,FWD

1-[2-94]

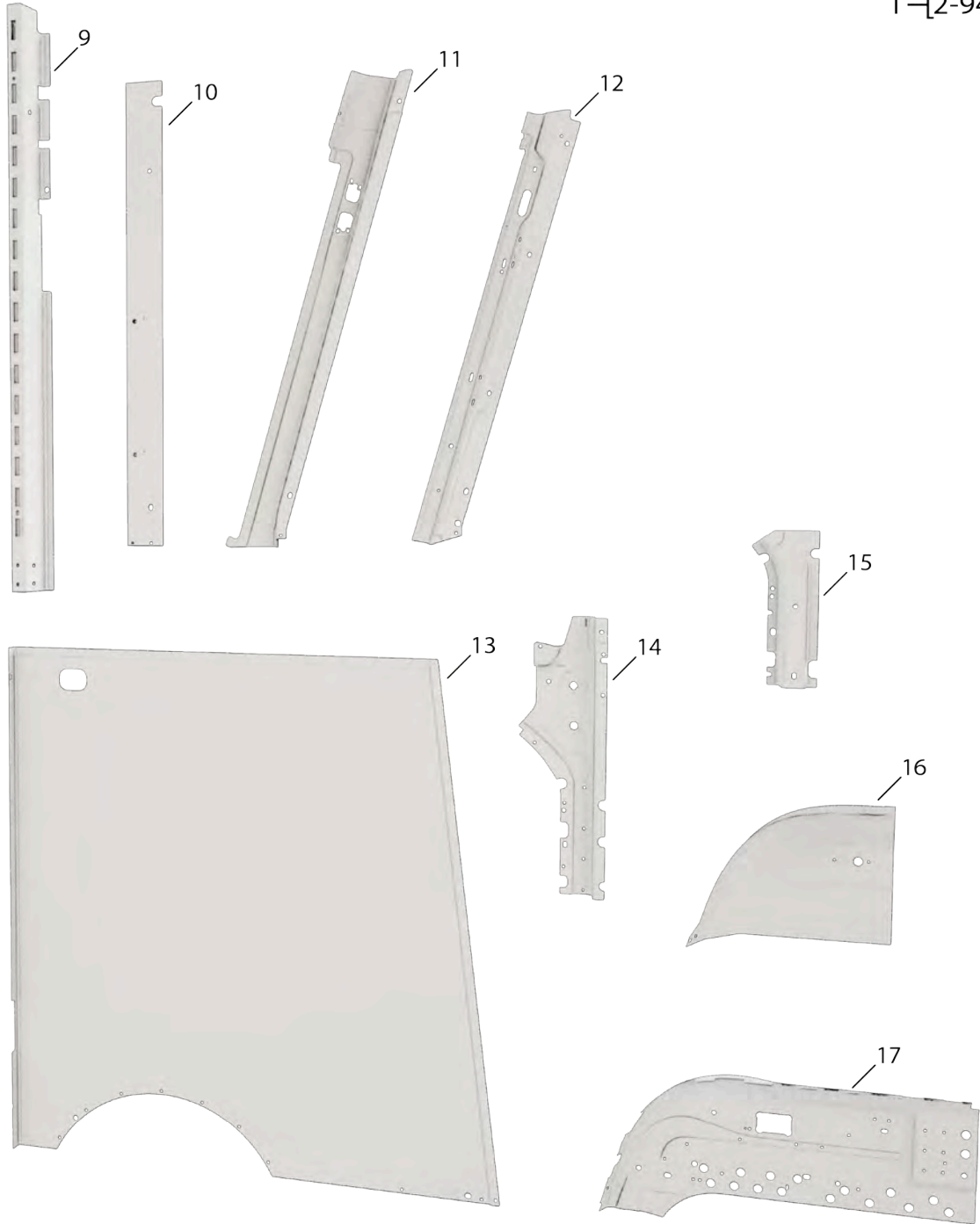


BODYSIDE,RH ASSY,FWD

1-[2-94]

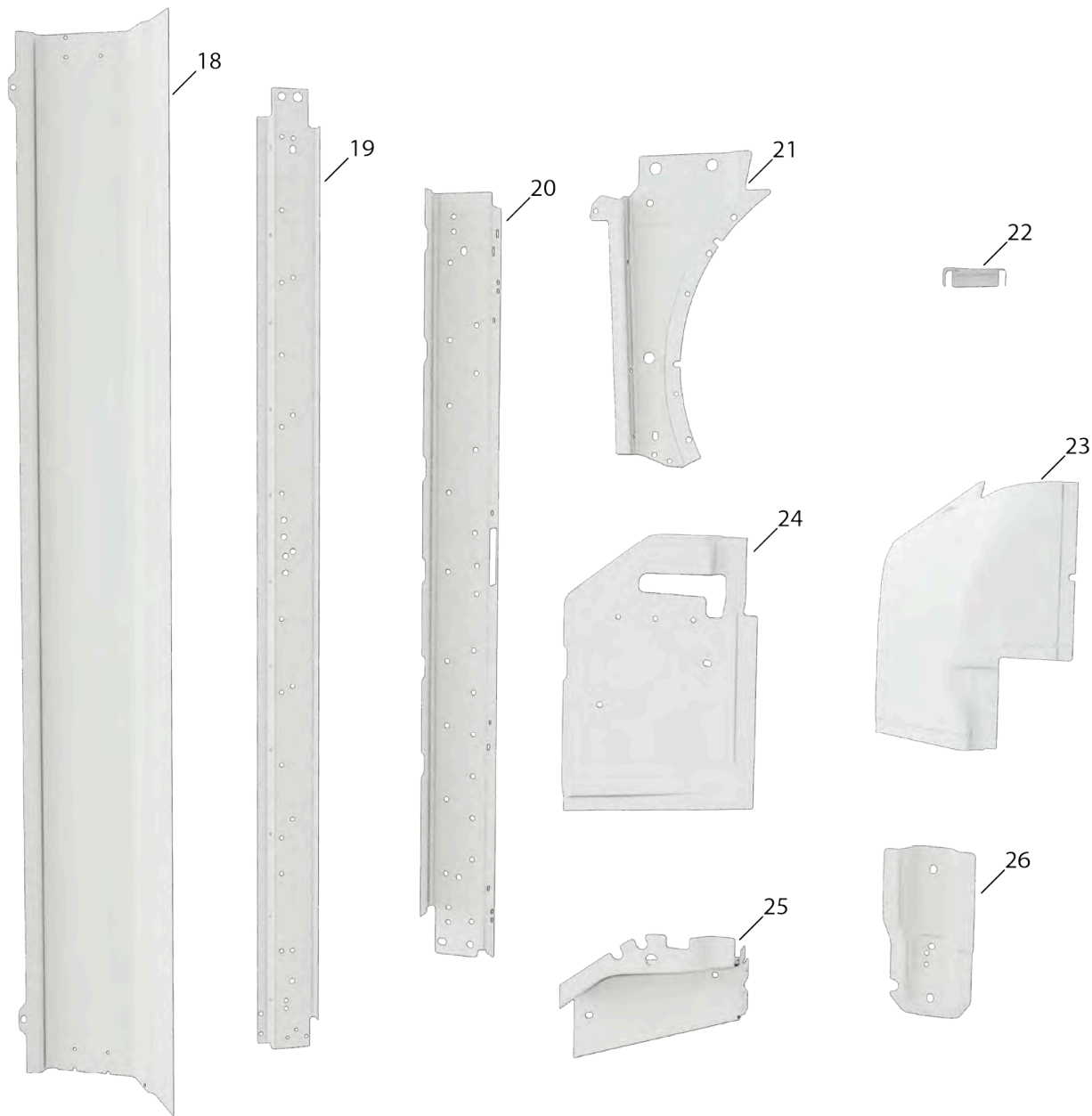


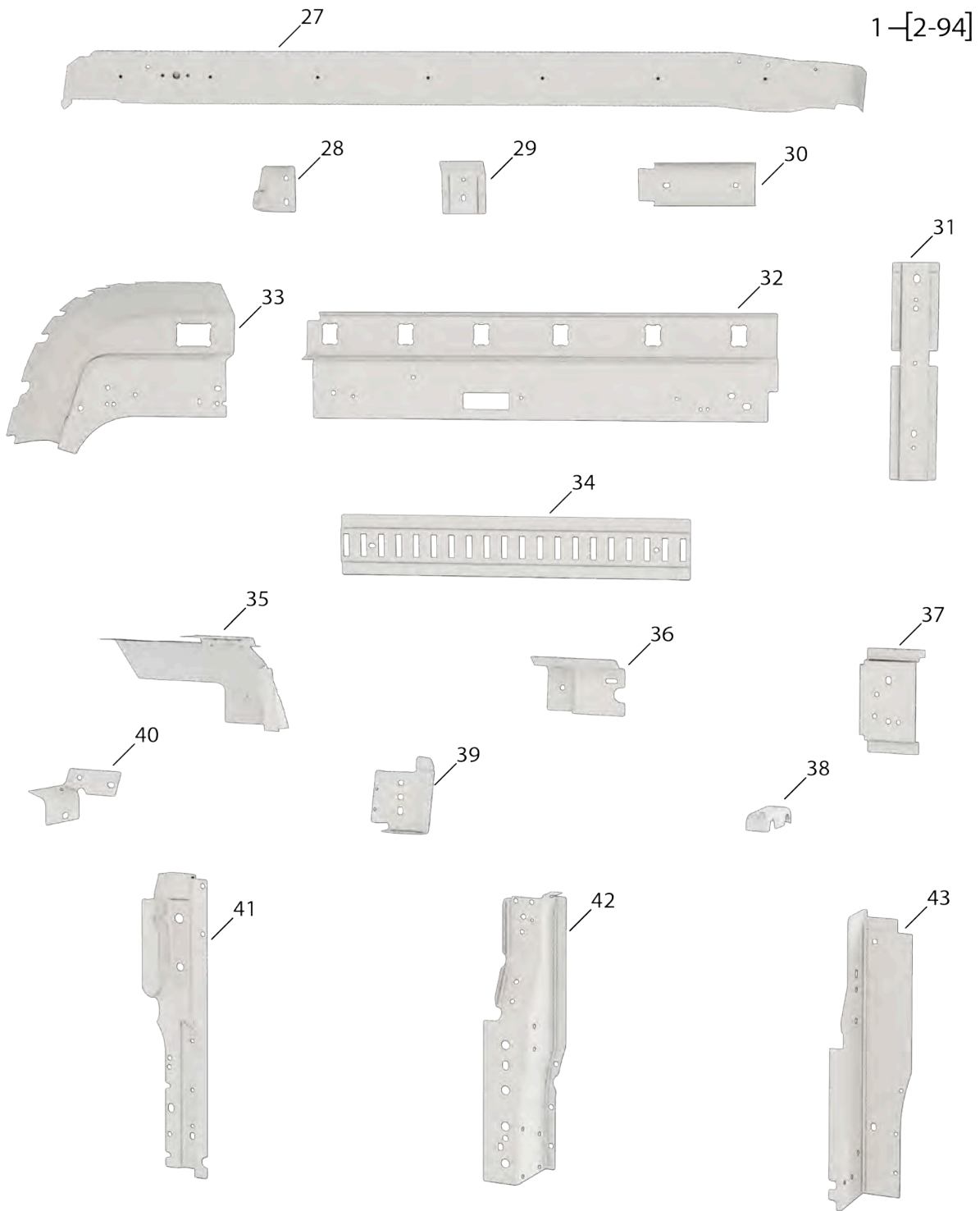
1-[2-94]



BODYSIDE,RH ASSY,FWD

1-[2-94]



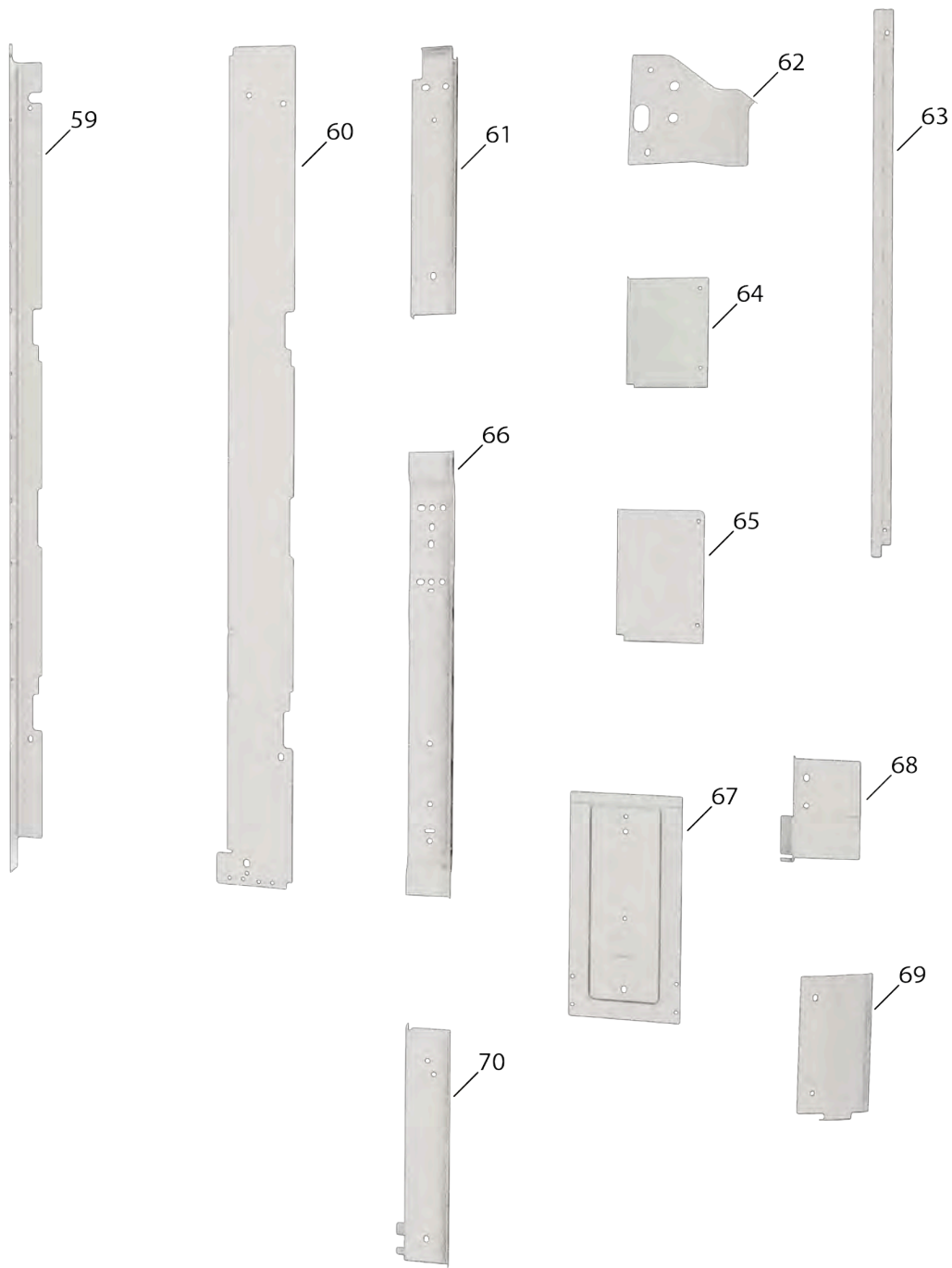


BODYSIDE,RH ASSY,FWD

1-[94]



1-[2-94]



BODYSIDE,RH ASSY,FWD

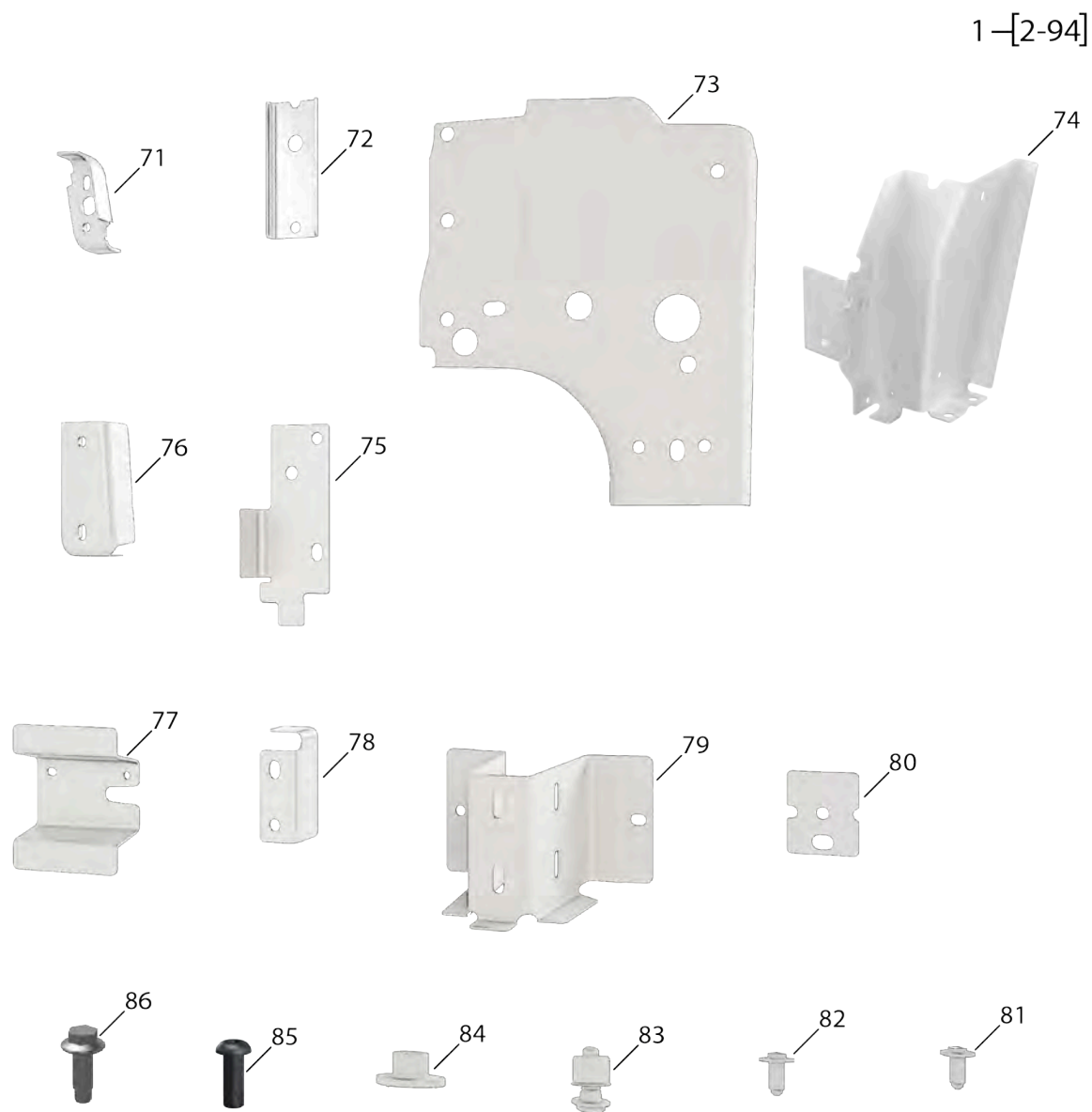




Table 236. BODYSIDE,RH ASSY,FWD

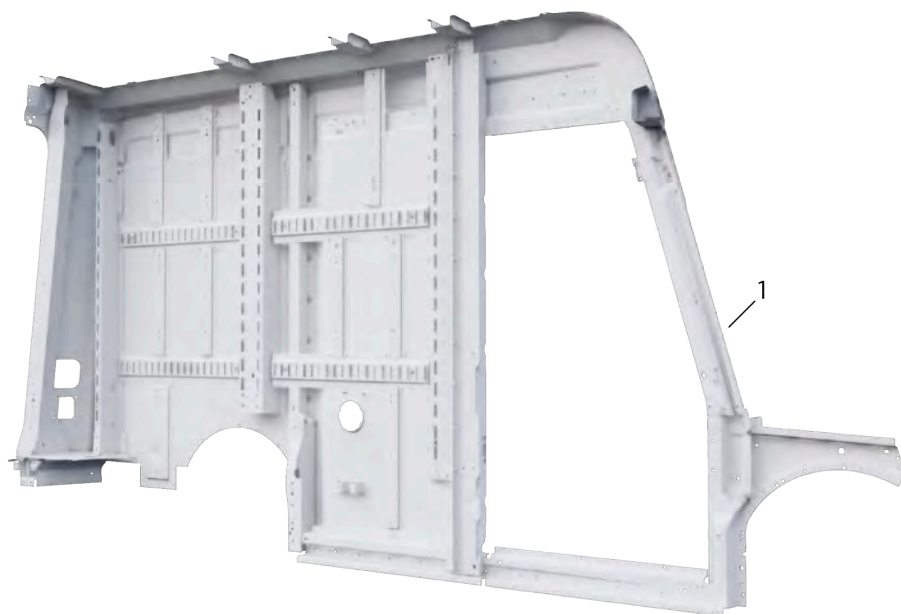
Item Number	Part Number	Description	Quantity	Primary Source
1	COS1000012945	BODYSIDE,RH ASSY	1	Oshkosh Defense
2	U029AA	RAIL,OTR, TOP,RH, RFMD	1	Oshkosh Defense
3	U029BA	RAIL,INR, TOP,RH, RFMD	1	Oshkosh Defense
4	COS0000410213	SHELF MNT-BS SUPT, FRT,RH	1	Oshkosh Defense
5	U029JA	CHAN,HAT, ROOF-PARTITION WALL	4	Oshkosh Defense
6	U029EA	TRACK,CARGO,FR,RH STPG	2	Oshkosh Defense
7	U029DA	JT,COR,INR,FR,RH STPG	1	Oshkosh Defense
8	U029CA	COR SPRT,RR,INR,UPR RH STPG	3	Oshkosh Defense
9	COS0000410214	D PLR,RH RFMD	1	Oshkosh Defense
10	U029GA	PNL,C-PILLAR,RH	2	Oshkosh Defense
11	COS0000410226	A PLR,RH STPG	2	Oshkosh Defense
12	U029FA	A PLR,INR,RH STPG	2	Oshkosh Defense
13	U029HA	PNL,WALL,RH STPG	1	Oshkosh Defense
14	COS1000003288	PNL,OTR,DR,LWR,FR, RH STPG	2	Oshkosh Defense
15	U029LA	PNL,INR FND,FR,RH STPG	2	Oshkosh Defense
16	U029KA	PNL,ROOF,FR,RH STPG	1	Oshkosh Defense
17	COS0000410220	PNL,UPR INR C SPRT, FR,RH STPG	1	Oshkosh Defense
18	U029QA	PNL,ROOF,RH RFRM	1	Oshkosh Defense
19	COS1000012782	RAIL,STEP SPRT,OTR, RH RFMD	1	Oshkosh Defense
20	COS1000003324	PANEL,UPR TOP TRACK SPRT,RH	1	Oshkosh Defense
21	COS1000013164	PNL,OTR FND,FR,RH STPG	2	Oshkosh Defense
22	U029NA	CAP,UPR TRK SPRT, RR	4	Oshkosh Defense
23	U029PA	COR,WALL,RR,UPR,RH STPG	1	Oshkosh Defense
24	U029RA	CLOSE OUT STPG	3	Oshkosh Defense
25	U029MA	OUTRIGGER,RR STPG	4	Oshkosh Defense
26	COS1000005861	CHAN,HAT,ROOF STPG	3	Oshkosh Defense
27	U029XA	REINF,INR COR,RR RH STPG	3	Oshkosh Defense
28	U029TA	CLOSE OUT,RH STPG	1	Oshkosh Defense
29	U029WA	BRKT,PLR STPG	2	Oshkosh Defense
30	U029YA	OB RR XMBR BHD RH BKPR	3	Oshkosh Defense
31	U029UA	VERT COL,UPR,FR,LH STPG	4	Oshkosh Defense
32	COS1000026199	REINF,UPR,MID,RH BKPR	1	Oshkosh Defense
33	U029VA	PNL,UPR OTR CAB SPRT,FR,RH STPG	2	Oshkosh Defense
34	U029SA	TRACK,CARGO,RR RFMD	2	Oshkosh Defense
35	U02A1A	SPRT,RR UPR,HDR,RH STPG	3	Oshkosh Defense
36	U02A2A	BRKT,C PLR UPR STPG	2	Oshkosh Defense
37	COS1000028972	BRKT,STRIKER MT,C PLR BKPR	2	Oshkosh Defense
38	U02A4A	END CAP,C PLR,LWR STPG	2	Oshkosh Defense
39	U02A6A	BRKT RR COR LWR REINF RH STPG	3	Oshkosh Defense
40	U02A5A	BRKT,FR HDR,UPR,RH STPG	1	Oshkosh Defense
41	U02A0A	PNL,DOOR RING LWR, FR,RH STPG	2	Oshkosh Defense
42	COS1000028944	BRKT,C PLR LWR,RR STPG	2	Oshkosh Defense
43	COS1000028951	BRKT,C PLR,LWR,FR STPG	2	Oshkosh Defense
44	U02AAA	PATCH,RR,UPR,RH STPG	1	Oshkosh Defense
45	U02A9A	PNL,RR PATCH,RH STPG	3	Oshkosh Defense
46	U02ABA	BRKT,STPG,OVER SLAM	4	Oshkosh Defense
47	COS1000058581	REINF PLATE,FLR BRKT BLKG	2	Oshkosh Defense
48	COS1000046356	BRKT,INR STRKR MT,C PLR STPG	2	Oshkosh Defense
49	COS1000043298	REINF,RH GRAB HDL, BKPR	4	Oshkosh Defense
50	U02A7A	BRKT,CAMERA MT,SIDE 2PC STPG	1	Oshkosh Defense
51	COS1000049752	BRKT,UPR IP BEAM MT,RH BKPR	2	Oshkosh Defense
52	COS1000042505	C PLR,REINF,GRAB, HDL,MT STPG	4	Oshkosh Defense
53	COS1000044307	BRKT,IP BEAM MT,RH STPG	2	Oshkosh Defense
54	COS1000053347	BRKT,RADAR MT,RR,RH STPG	3	Oshkosh Defense
55	COS1000046417	REINF MIRROR MT RH BKPR	1	Oshkosh Defense
56	4129654014	NUT,SELF-LOCKING, CLINCH,M8-1.25 0.8-4.5 NS MB	4	Oshkosh Defense
57	U02B0A	OUTRIGGER 1,RR LH ASSY	1	Oshkosh Defense
58	U02A8A	BRKT,DR TRACK TO C PLR,RH STPG	1	Oshkosh Defense

Table 236. BODYSIDE,RH ASSY,FWD (continued)

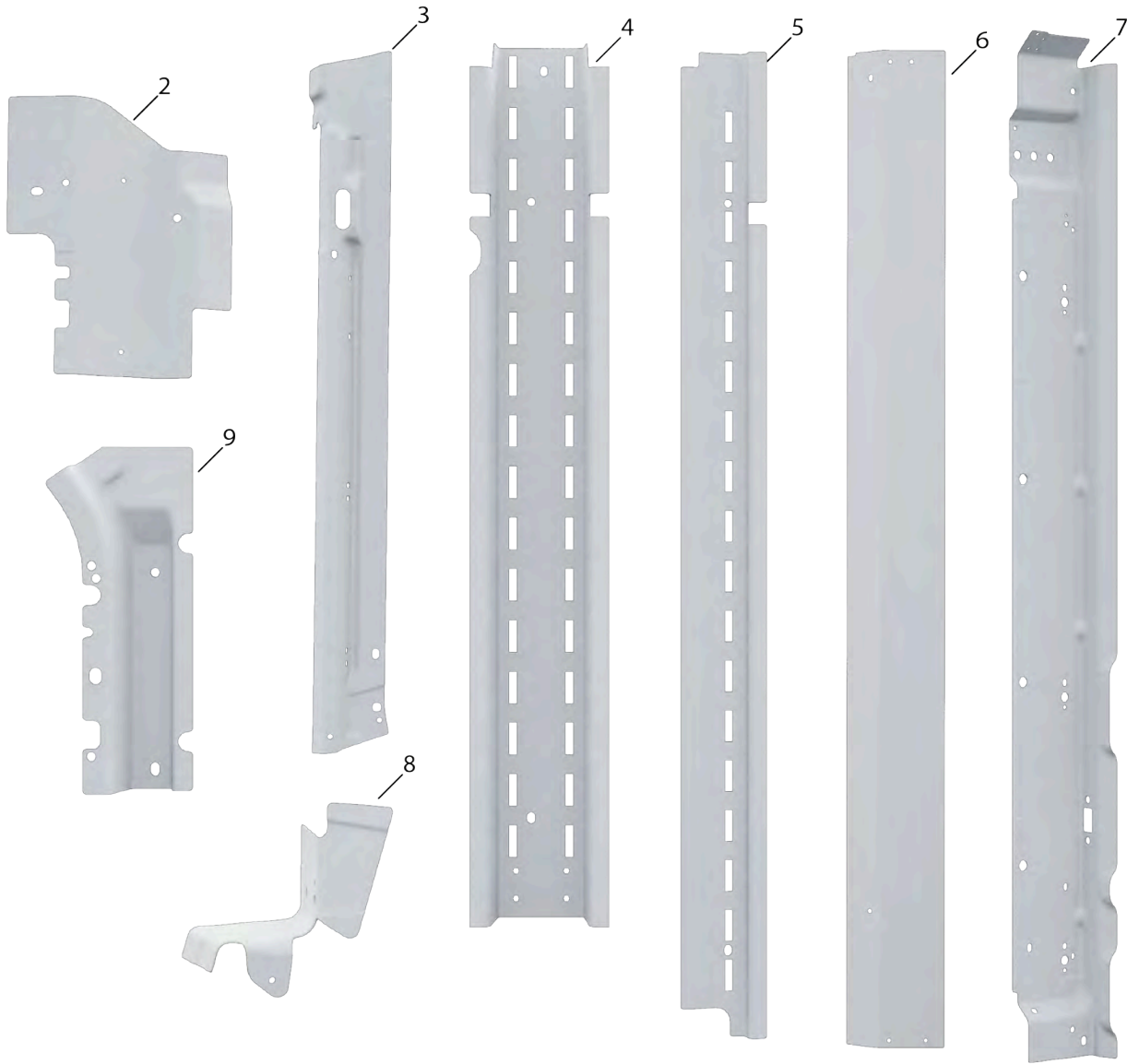
Item Number	Part Number	Description	Quantity	Primary Source
59	U02ANA	B PLR,INR,RR,RH STPG	2	Oshkosh Defense
60	COS1000106841	B PLR,RH STPG	2	Oshkosh Defense
61	COS1000111714	B PLR SPRT,UPR,RH STPG	2	Oshkosh Defense
62	U02ACA	BRKT,INR,UPR,RH RR STPG	3	Oshkosh Defense
63	U02AHA	BRKT,Z,UPR,OTR PNL, RH BKPR	1	Oshkosh Defense
64	U02AJA	PNL,RR,STEP, CLOSEOUT BKPR	2	Oshkosh Defense
65	U02AKA	PNL,FR,STEP, CLOSEOUT BKPR	2	Oshkosh Defense
66	COS1000111717	SPRT,B-PILLAR,UPR, RH	2	Oshkosh Defense
67	U02AQA	PNL,VERT COL LWR, RR,LH,STPG	1	Oshkosh Defense
68	U02AEA	REINF EXT,RR INR COR,RH BKPR	4	Oshkosh Defense
69	U02AMA	BRKT,FLR SPRT,RH STPG	3	Oshkosh Defense
70	COS1000111715	B PLR SPRT,LWR,RH STPG	2	Oshkosh Defense
71	U02ADA	BHD,RH,STPG	6	Oshkosh Defense
72	COS1000082123	REINF,CARGO,DOOR, Bmpr BKPR	2	Oshkosh Defense
73	U02AUA	PATCH,RR UPR HDR,RH STPG	1	Oshkosh Defense
74	U02AZA	OUTRIGGER RR,RH ASSY	1	Oshkosh Defense
75	U02ALA	BRKT,BS TO C PLR,RH BKPR	1	Oshkosh Defense
76	U02AGA	BRKT,DOOR STOP MTG STPG	2	Oshkosh Defense
77	U02APA	BRKT,DOOR STOP STPG	6	Oshkosh Defense
78	U02AFA	BHD B PLR BKPR	2	Oshkosh Defense
79	U02ARA	D PLR E CART FRONT BRKT,RH	1	Oshkosh Defense
80	COS1000117524	PLATE,B PLR TAPPING STPG	4	Oshkosh Defense
81	D009Y537-002	STUD,WELD,FLG, M6-1.0X12 ST	1	Oshkosh Defense
82	D009Y537-003	STUD,WELD,FLG, M6-1.0X12 ST	1	Oshkosh Defense
83	D009Y537-001	STUD,GND M8-1.25X13 ST	1	Oshkosh Defense
84	D011C658	NUT,WELD,7/16-20	2	Oshkosh Defense
85	U02RBA	SCREW,CAP,SOCKET HEAD,M8-1.25X25 C10.9 MB	2	Oshkosh Defense
86	COS1000139511	D PLR REINF BOLT RH ASSY	1	Oshkosh Defense
87	U02AVA	PANEL,REAR BODY, FRT,RH	1	Oshkosh Defense
88	U02ATA	PNL,INR,RR,RH STPG	3	Oshkosh Defense
89	U02ASA	PNL,WALL,COR,RR,RH RFMD	3	Oshkosh Defense
90	U029ZA	PNL,DOOR RING UPR, FR,RH STPG	2	Oshkosh Defense
91	U02A3A	BRKT,C PLR,RR STPG	2	Oshkosh Defense
92	U02B1A	C PLR,RH ASSY	1	Oshkosh Defense
93	U02AWA	D PLR RH ASSY	1	Oshkosh Defense
94	U02AXA	A PLR,HPLR ,RH ASSY	1	Oshkosh Defense

BODYSIDE,LH ASSY,FWD

1-[2-94]

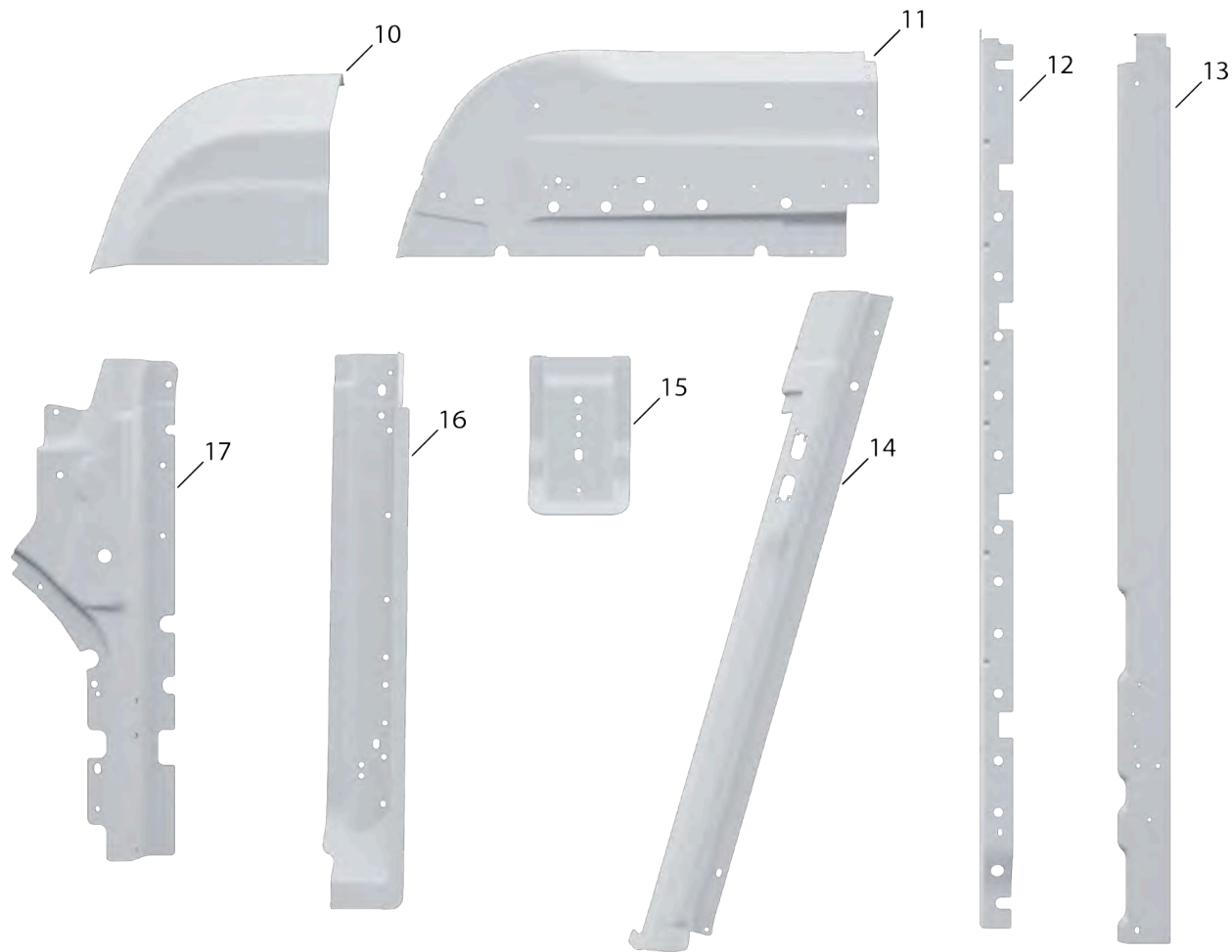


1-[2-94]



BODYSIDE, LH ASSY, FWD

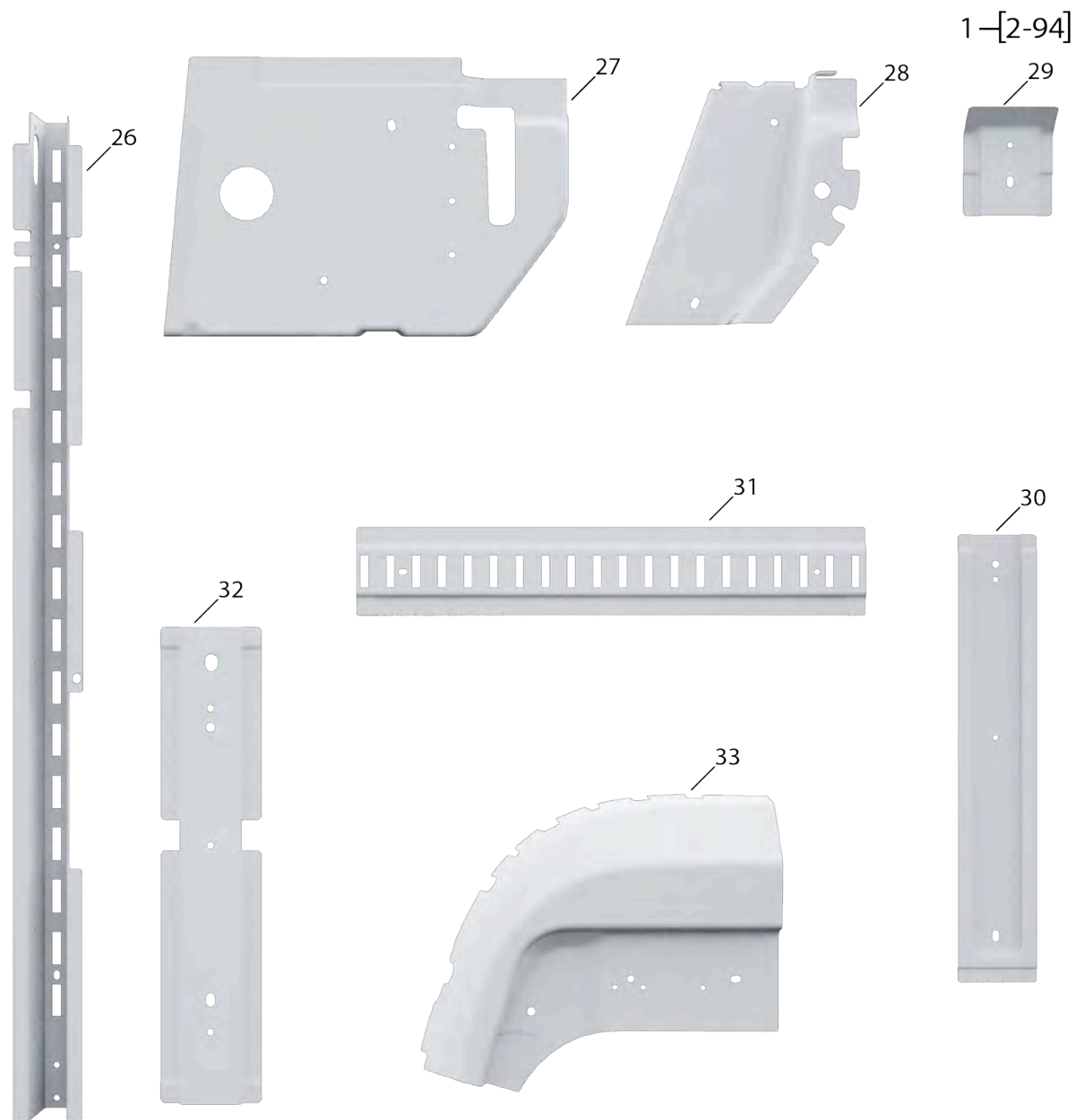
1-[2-94]



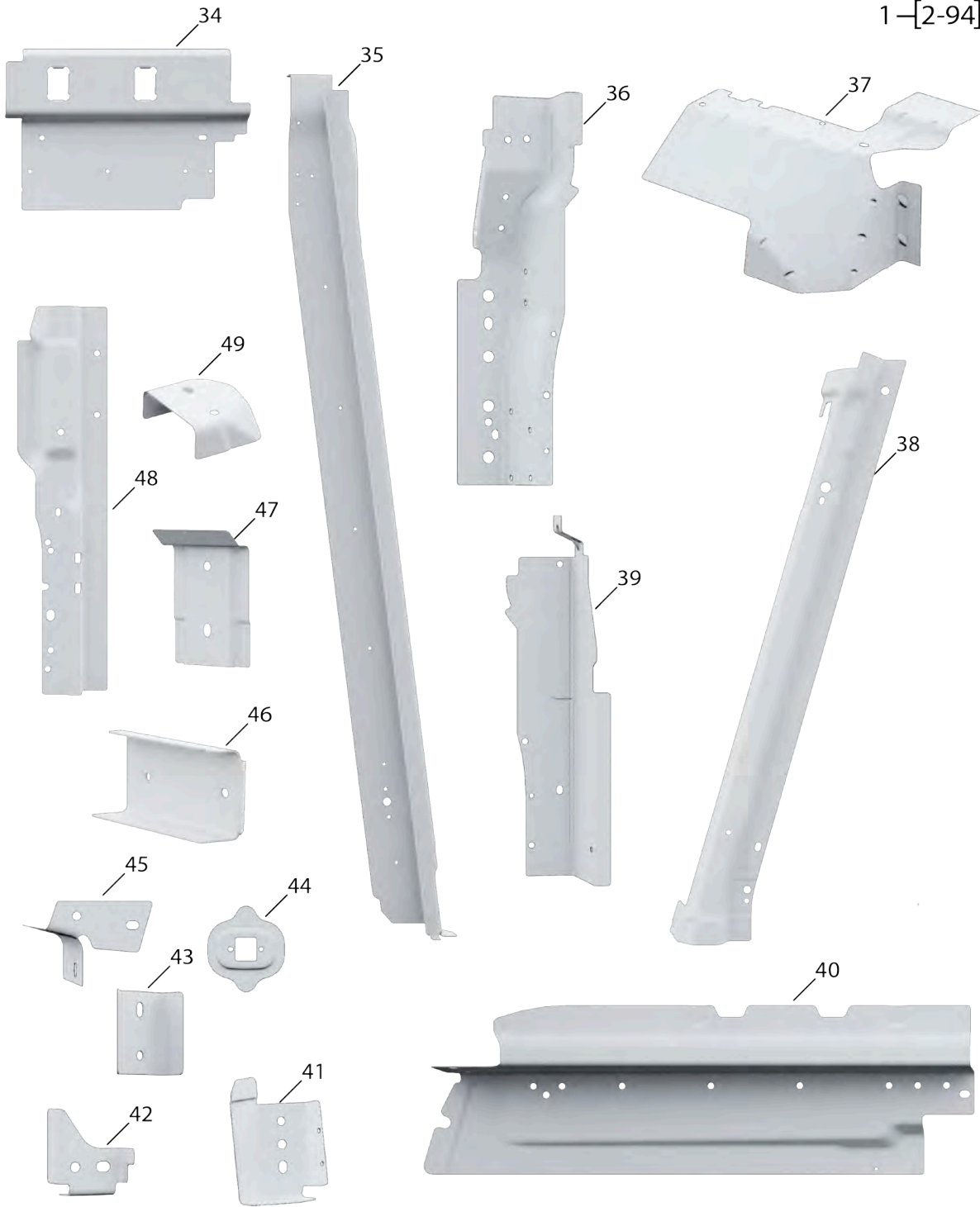
1-[2-94]



BODYSIDE, LH ASSY, FWD

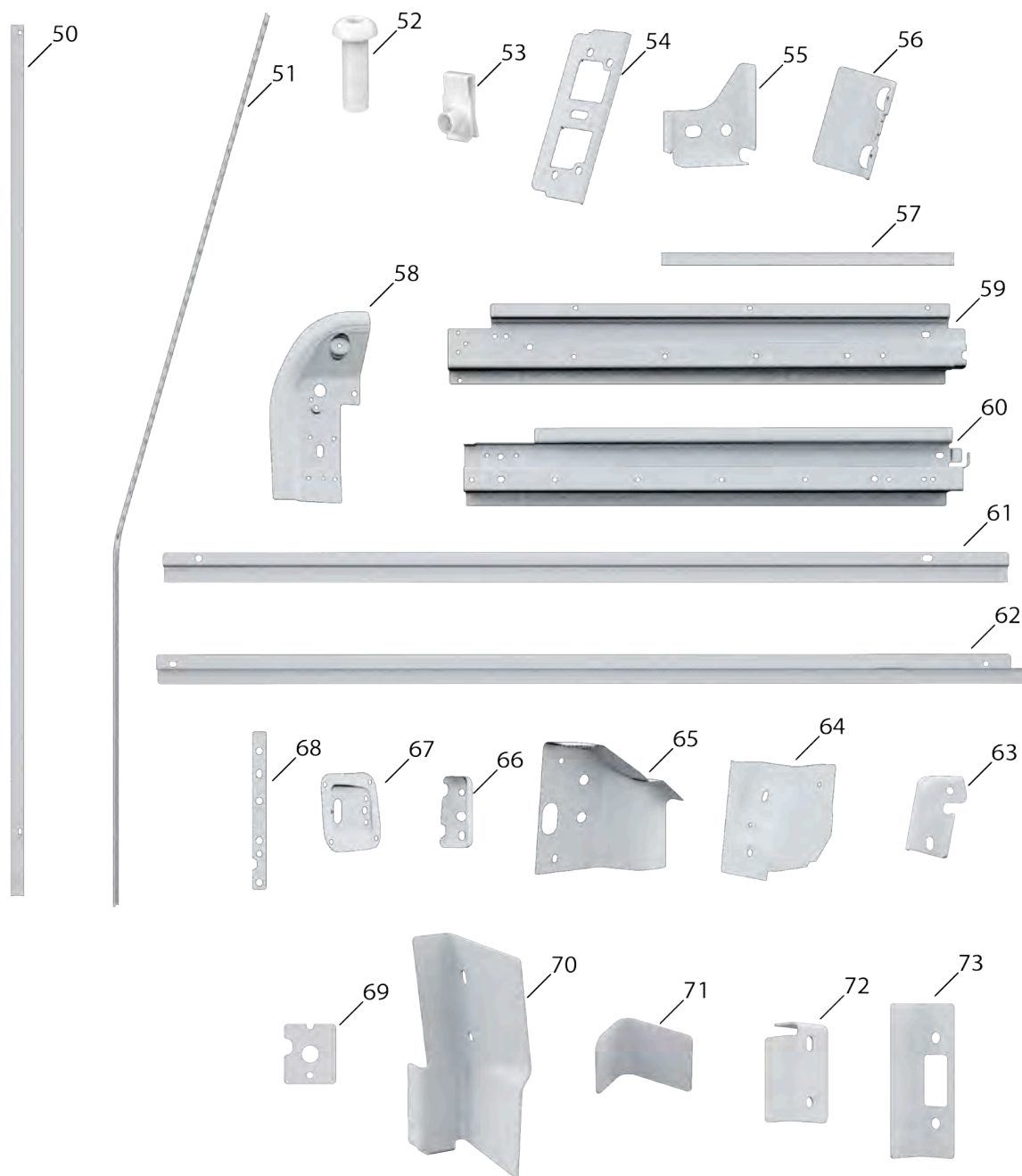


1-[2-94]

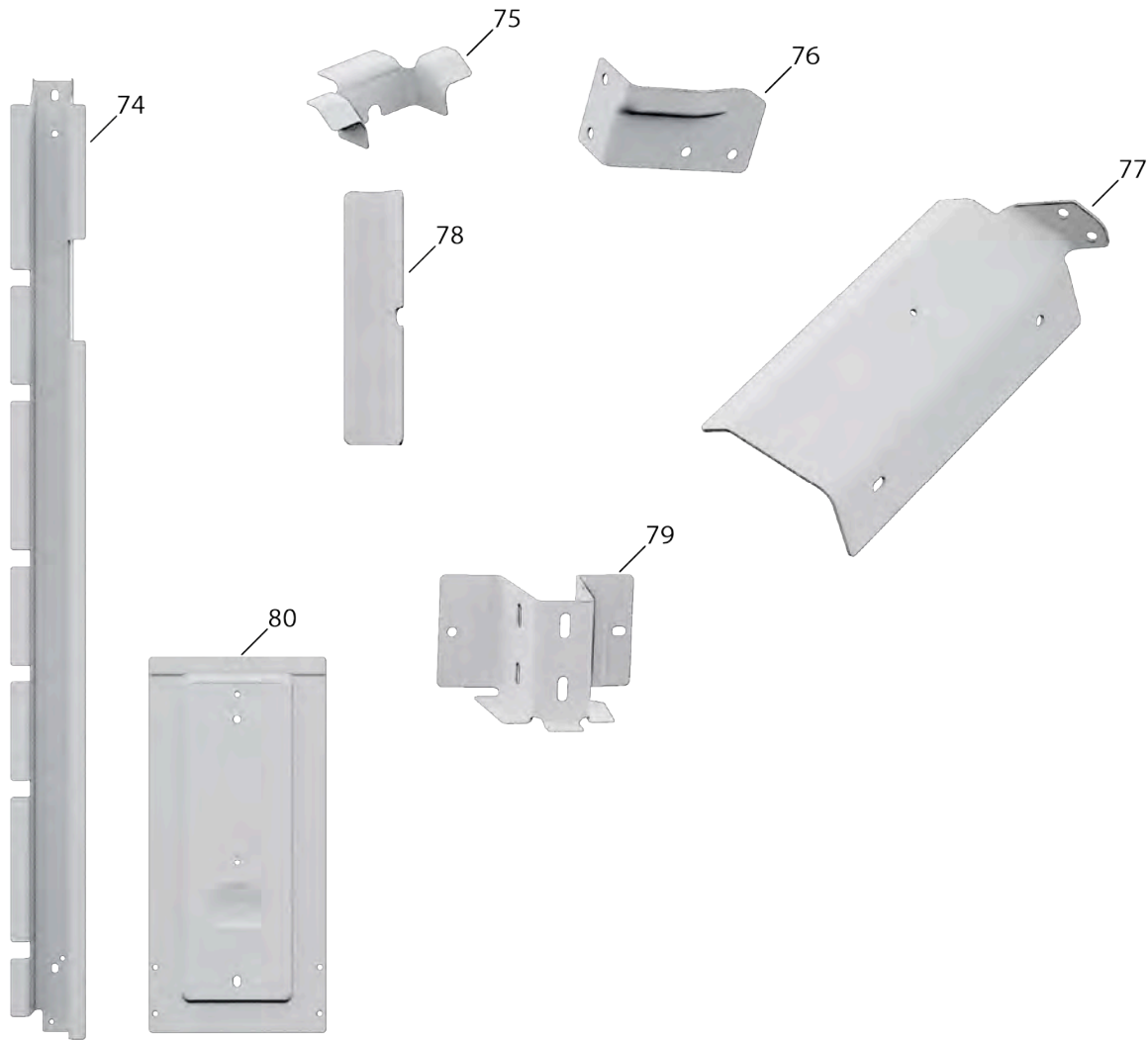


BODYSIDE, LH ASSY, FWD

1-[2-94]



1-[2-94]



BODYSIDE, LH ASSY, FWD

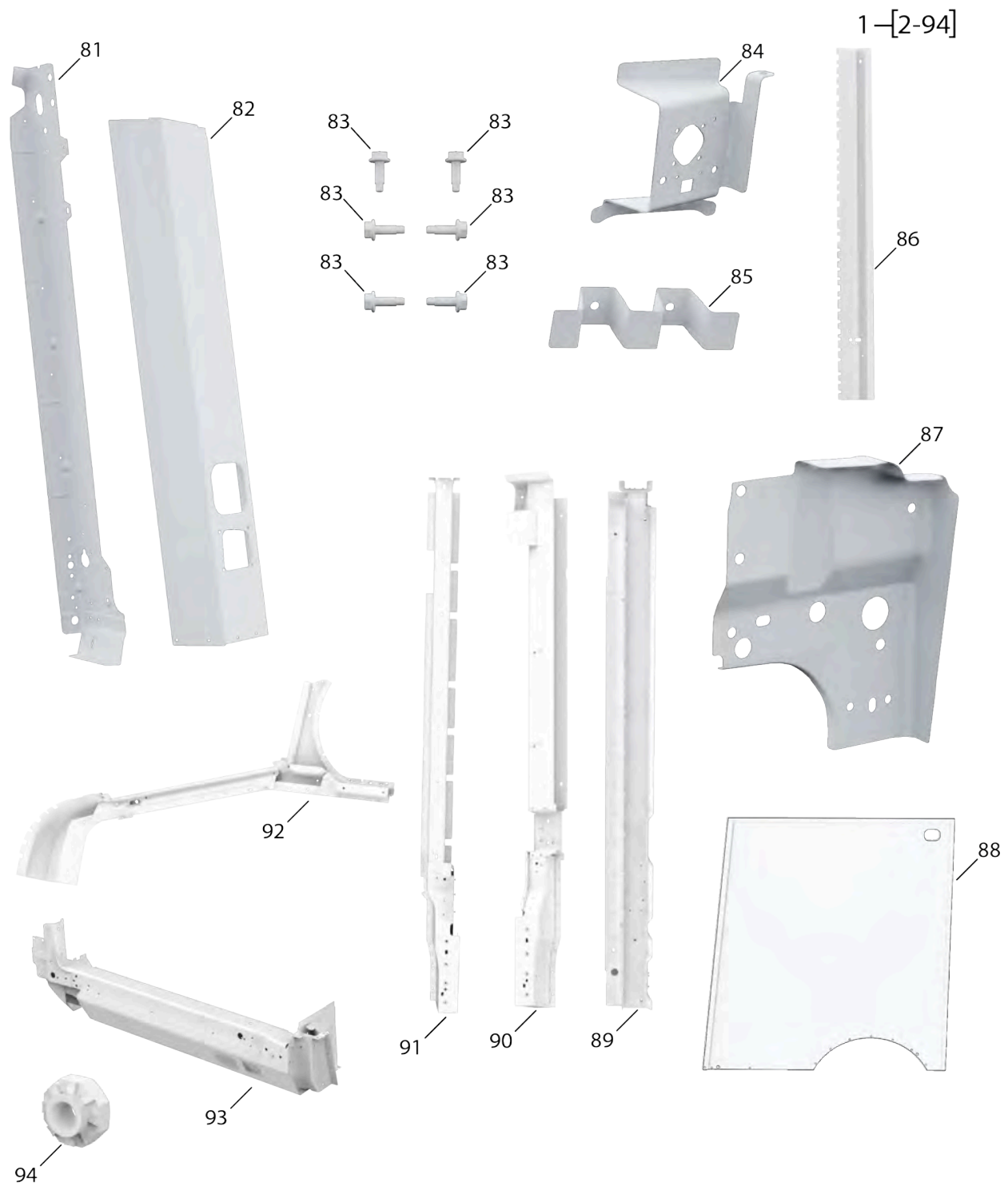


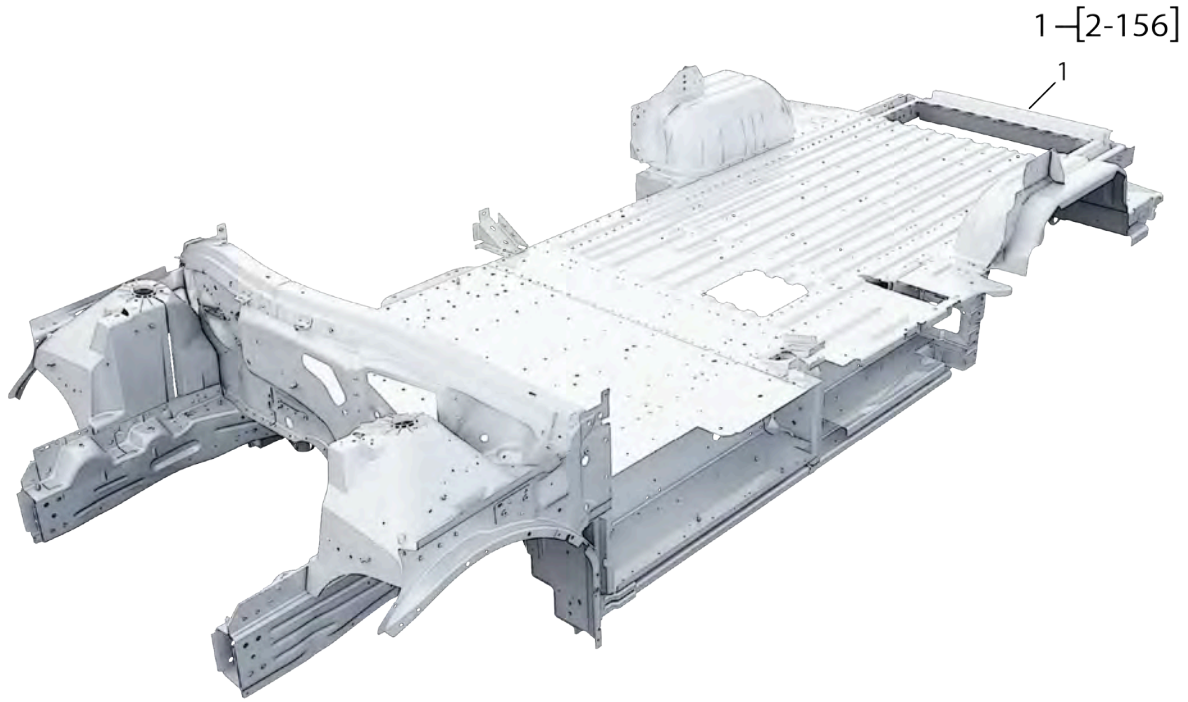
Table 237. BODYSIDE,LH ASSY,FWD

Item Number	Part Number	Description	Quantity	Primary Source
1	COS1000012946	BODYSIDE,LH ASSY	1	Oshkosh Defense
2	U02B4A	COR SPRT,RR,INR,UPR LH STPG	2	Oshkosh Defense
3	COS0000410172	A-PILLAR,INR,LH	2	Oshkosh Defense
4	COS0000410178	C PLR,LH RFMD	1	Oshkosh Defense
5	U02B6A	B PLR,LH RFMD	1	Oshkosh Defense
6	U02B3A	RAIL,OTR,TOP,LH, RFMD	1	Oshkosh Defense
7	COS0000410176	B PLR,FR,LH STPG	2	Oshkosh Defense
8	U02B5A	JT,COR,INR,FR,LH STPG	1	Oshkosh Defense
9	U02B2A	PNL,INR FND,FR,LH S STPG	2	Oshkosh Defense
10	U02B7A	PNL,ROOF,FR,LH STPG	1	Oshkosh Defense
11	COS0000410185	PNL,UPR INR C SPRT, FR,LH STPG	1	Oshkosh Defense
12	COS0000410183	B PLR,SPRT,UPR,FR, LH	2	Oshkosh Defense
13	COS0000410184	B PLR,SPRT,UPR,RR, LH	2	Oshkosh Defense
14	COS0000410191	A PLR,OTR,LH STPG	2	Oshkosh Defense
15	U029JA	CHAN,HAT, ROOF-PARTITION WALL	2	Oshkosh Defense
16	COS1000003382	PNL,WALL,CTR,UPR,LH STPG	1	Oshkosh Defense
17	COS1000003289	PNL,OTR DR,LWR,FR, LH STPG	2	Oshkosh Defense
18	COS1000012943	BODY SIDE,INR,LH ASSY	1	Oshkosh Defense
19	COS1000017388	RAIL,END CAP,LH STPG	2	Oshkosh Defense
20	U02BAA	PNL,ROOF,LH RFRM	1	Oshkosh Defense
21	U02BCA	PNL,WALL,CTR,LH STPG	1	Oshkosh Defense
22	U02BBA	BRKT BKPR	1	Oshkosh Defense
23	U02B8A	B PLR,SPRT STPG	1	Oshkosh Defense
24	COS1000013430	PNL,OTR FND,FR,LH STPG	2	Oshkosh Defense
25	U02B9A	COR,WALL,RR,UPR,LH STPG	1	Oshkosh Defense
26	COS1000019328	D PLR,LH RFMD	1	Oshkosh Defense
27	U02BDA	CLOSE OUT,LH STPG	2	Oshkosh Defense
28	U02BEA	OUTRIGGER,RR LH STPG	3	Oshkosh Defense
29	U029WA	BRKT,PLR STPG	2	Oshkosh Defense
30	U02BGA	VERT COL,BOT,FR,LH	1	Oshkosh Defense
31	U029SA	TRACK,CARGO,RR RFMD	4	Oshkosh Defense
32	U029UA	VERT COL,UPR,FR,LH STPG	7	Oshkosh Defense
33	U02BFA	PNL,UPR OTR C SPRT, FR,LH STPG	2	Oshkosh Defense
34	U02BNA	REINF,UPR MID,LH BKPR	1	Oshkosh Defense
35	U02BLA	REINF,INR COR,RR LH STPG	2	Oshkosh Defense
36	COS1000038184	BRKT,C PLR,LWR,RR, LH STPG	2	Oshkosh Defense
37	U02BRA	SPRT,RR UPR,HDR,LH STPG	2	Oshkosh Defense
38	U02BQA	PNL,DOOR RING UPR, FR,LH STPG	2	Oshkosh Defense
39	COS1000038183	BRKT,C PLR,LWR,FR, LH STPG	2	Oshkosh Defense
40	U02BHA	PNL,UPR TOP TRCK SPRT,LH STPG	1	Oshkosh Defense
41	U02BTA	BRKT RR COR LWR REINF LH STPG	2	Oshkosh Defense
42	U02BUA	SPRT,TOP TRACK,LH BKPR	1	Oshkosh Defense
43	U02BVA	BRKT,PNL SPRT,LH BKPR	1	Oshkosh Defense
44	U02A7A	BRKT,CAMERA MT,SIDE 2PC STPG	1	Oshkosh Defense
45	U02BSA	BRKT,FR HDR,UPR,LH STPG	1	Oshkosh Defense
46	U02BMA	OB RR XMBR BHD LH BKPR	2	Oshkosh Defense
47	U02BKA	BRKT,FR UPR SPRT,LH STPG	1	Oshkosh Defense
48	U02BPA	PNL,DOOR RING LWR, FR,LH STPG	2	Oshkosh Defense
49	U02BJA	CLOSE OUT,LH STPG	1	Oshkosh Defense
50	U02BYA	CHAN,SEAL,B PLR,LH STPG	2	Oshkosh Defense
51	U02BWA	CHAN,SEAL,A PLR,LH STPG	2	Oshkosh Defense
52	U02RBA	SCREW,CAP,SOCKET HEAD,M8-1.25X25 C10.9 MB	1	Oshkosh Defense
53	4129654014	NUT,SELF-LOCKING, CLINCH,M8-1.25 0.8-4.5 NS MB	4	Oshkosh Defense
54	COS1000046425	REINF,MIRROR,MT,LH BKPR	1	Oshkosh Defense
55	U02BZA	SPRT,TOP TRACK,FR, LH BKPR	1	Oshkosh Defense
56	COS1000049752	BRKT,UPR IP BEAM MT,RH BKPR	2	Oshkosh Defense
57	U02BXA	CHAN,SEAL,UPR,LH ST STPG	1	Oshkosh Defense
58	U02C2A	PATCH,RR,UPR,LH STPG	1	Oshkosh Defense

Table 237. BODYSIDE,LH ASSY,FWD (continued)

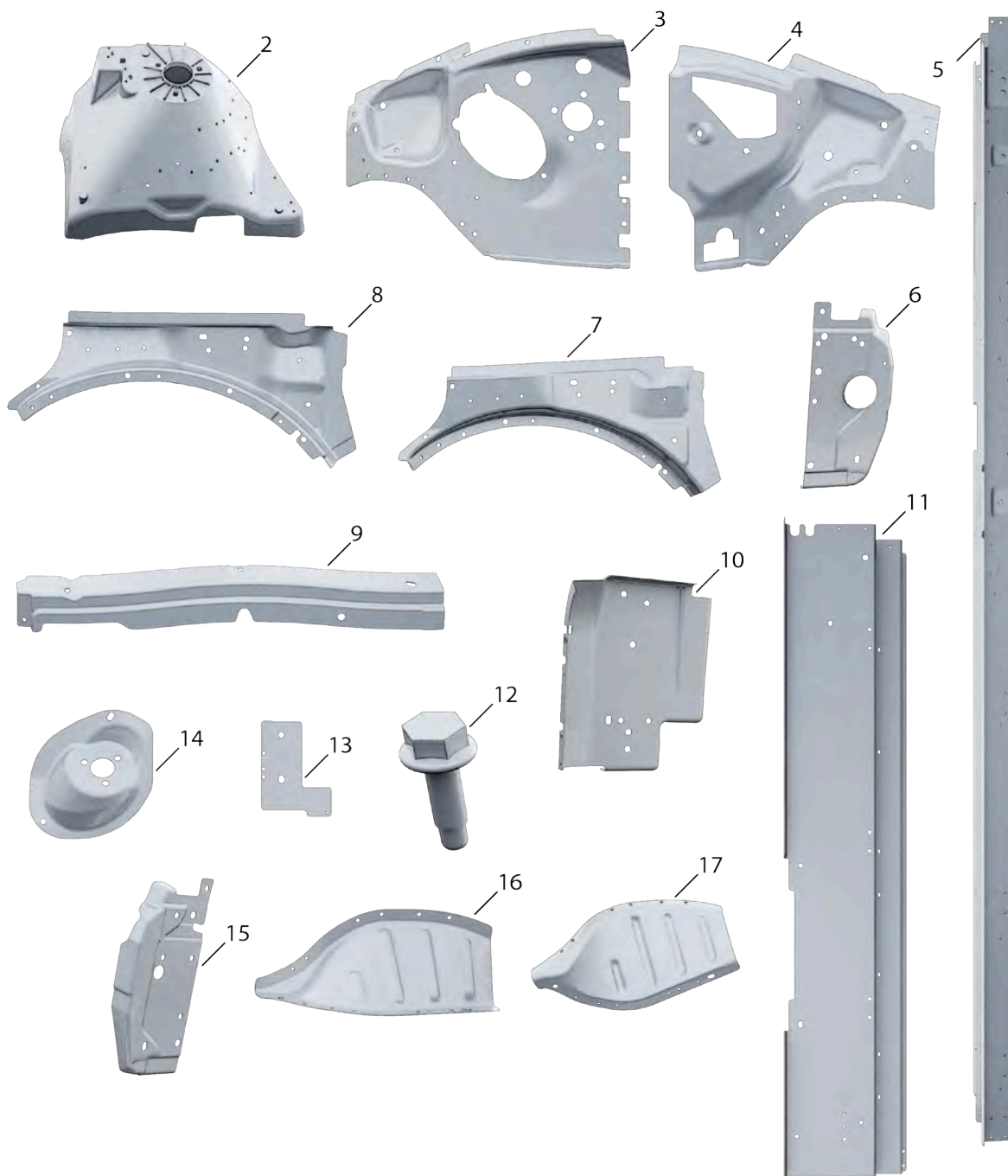
Item Number	Part Number	Description	Quantity	Primary Source
59	COS1000051959	BRKT,SIDE RAIL SPRT,FR,LH STPG	1	Oshkosh Defense
60	COS1000051961	BRKT,SIDE RAIL SPRT,RR,LH STPG	1	Oshkosh Defense
61	U02C4A	STIF BKPR	1	Oshkosh Defense
62	U02C9A	BRKT,BS TO OTR PNL LH STPG	1	Oshkosh Defense
63	U02C5A	BHD,STPG	6	Oshkosh Defense
64	U02C1A	PNL,RR PATCH,LH STPG	2	Oshkosh Defense
65	U02C3A	BRKT,INR,UPR,LH RR STPG	2	Oshkosh Defense
66	U02C0A	END CAP,C PLR,LWR, LH STPG	2	Oshkosh Defense
67	COS1000054062	BRKT,RADAR MT,RR,LH STPG	2	Oshkosh Defense
68	COS1000058581	REINF PLATE,FLR BRKT BLKG	2	Oshkosh Defense
69	COS1000061237	PLATE,TAPPING B PLR BLKG	6	Oshkosh Defense
70	U02C6A	REINF EXT,RR INR COR,LH BKPR	3	Oshkosh Defense
71	U02C8A	DOOR SEAL BKPR	2	Oshkosh Defense
72	U02C7A	BHD B PLR,LH BKPR	2	Oshkosh Defense
73	COS1000098629	BRKT,B PLR	2	Oshkosh Defense
74	COS1000109863	C PLR,VERT SPRT,LH STPG	2	Oshkosh Defense
75	U02CBA	BRKT,C PLR SPRT,UPR LH STPG	2	Oshkosh Defense
76	COS1000114757	BRKT,B PLR REINF,LH STPG	1	Oshkosh Defense
77	U02CCA	BRKT,FLR SPRT,LH STPG	2	Oshkosh Defense
78	U02CAA	REINF,C PLR,LH STPG	4	Oshkosh Defense
79	U02ARA	D PLR E CART FRONT BRKT,RH	1	Oshkosh Defense
80	U02AQA	PNL,VERT COL LWR, RR,LH,STPG	1	Oshkosh Defense
81	U02CEA	PNL,INR,RR,LH STPG STPG	2	Oshkosh Defense
82	U02CDA	PNL,WALL,COR,RR,LH RFMD	2	Oshkosh Defense
83	COS1000139506	D PLR REINF BOLT RH ASSY	1	Oshkosh Defense
84	D011R741	BRKT,CHARGE PORT,RR HEAD,M8-1.25X25 C10.9 MB	2	Oshkosh Defense
85	COS1000150600	BRKT,SUPPORT,LH RFMD	1	Oshkosh Defense
86	U02CGA	EXTRN,B PLR,LH,RFMD	1	Oshkosh Defense
87	U02CFA	PATCH,RR UPR HDR,LH STPG	2	Oshkosh Defense
88	U02CHA	PNL,WALL,RR,LH,STPG	1	Oshkosh Defense
89	U02CJA	B PLR,LH ASSY	1	Oshkosh Defense
90	U02B1A	C PLR,RH ASSY	1	Oshkosh Defense
91	U02CKA	C PLR,LWR,LH ASSY BKPR	1	Oshkosh Defense
92	U02CLA	A PLR,HPLR ,LH ASSY	1	Oshkosh Defense
93	U02CMA	D PLR,LH ASSY C10 ZN	1	Oshkosh Defense
94	U02CNA	NUT,HEX,PPE M6-1.0 C10 ZN	2	Oshkosh Defense

UNDERBODY, FWD

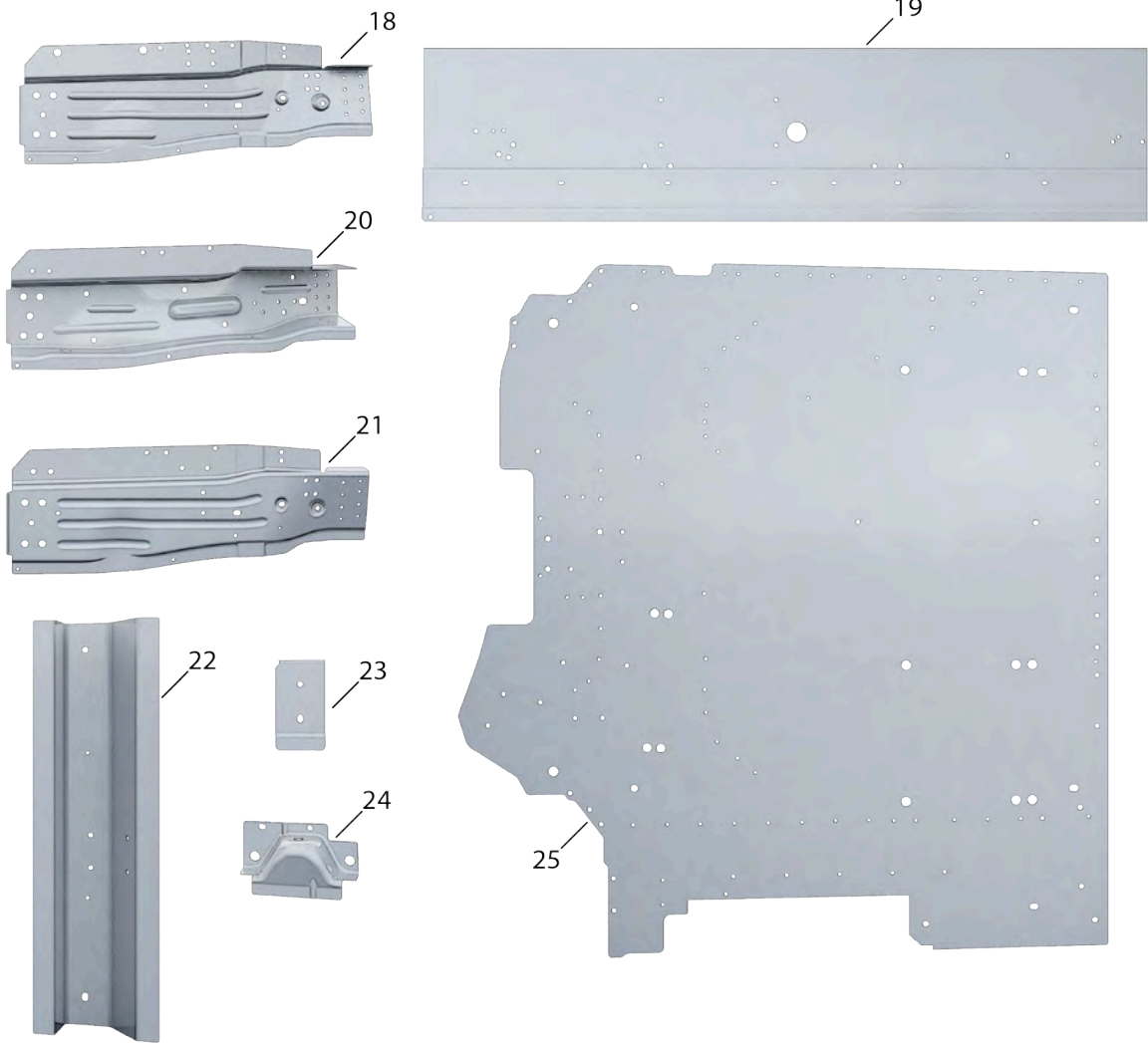


UNDERBODY,FWD

1-[2-156]

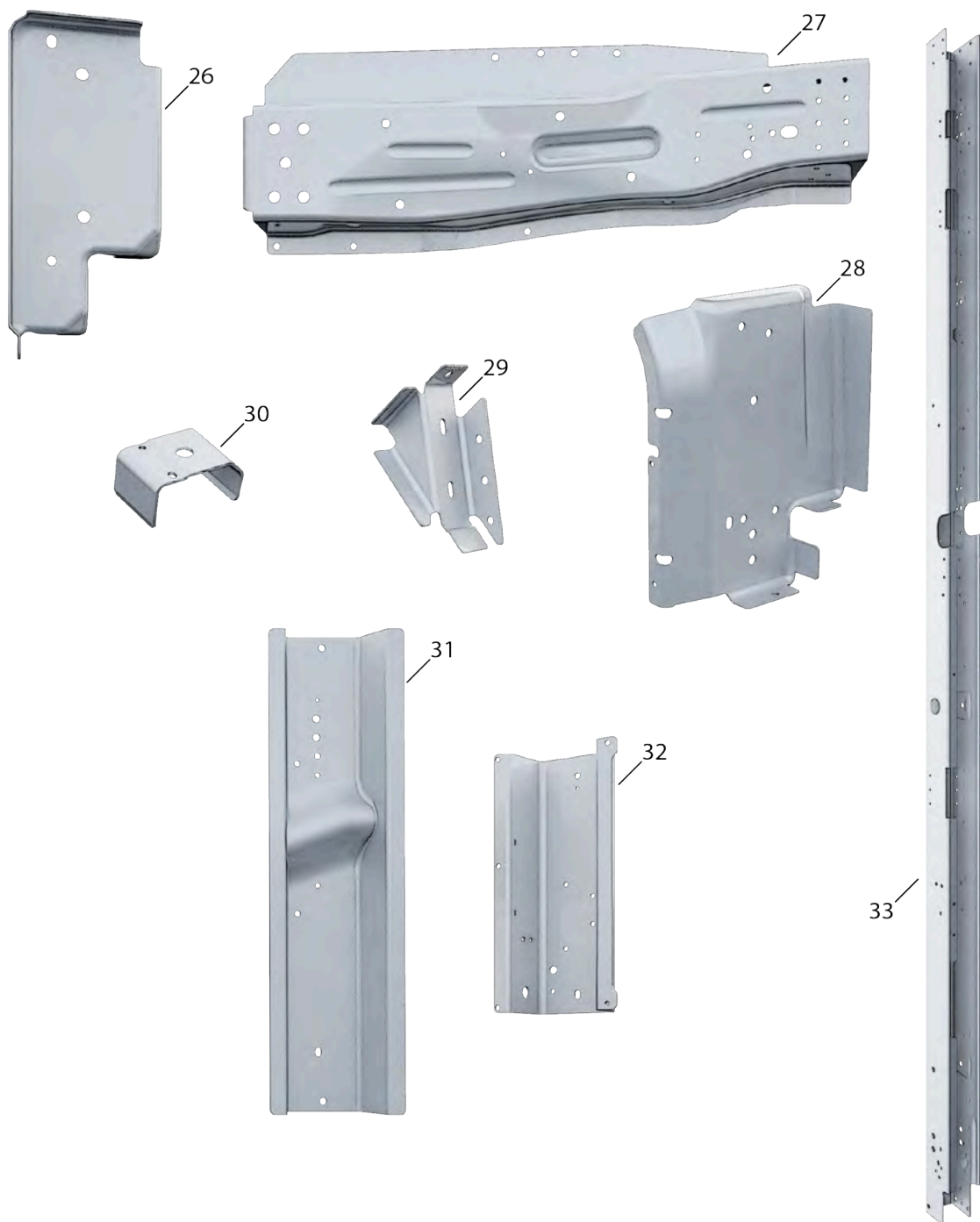


1-[2-156]

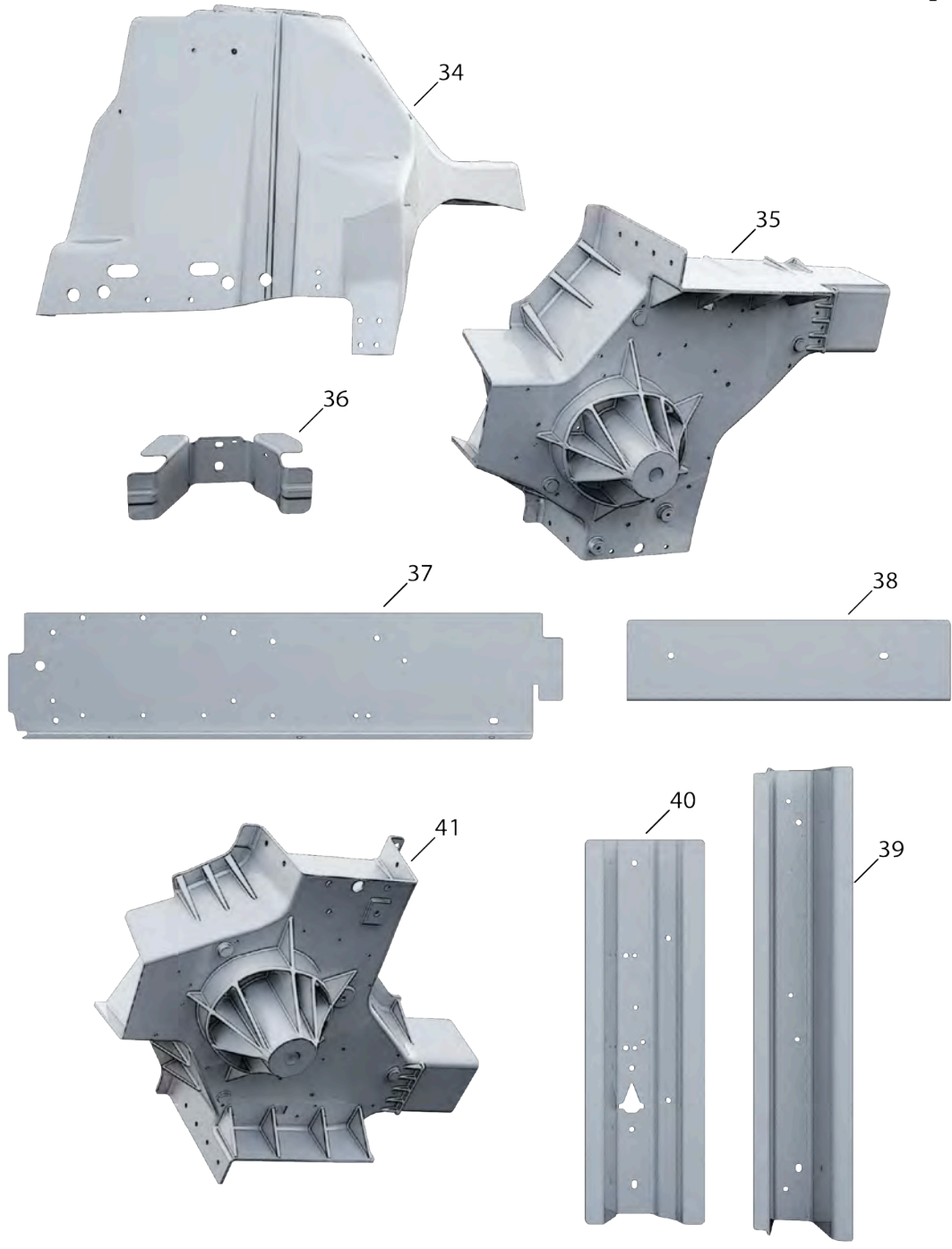


UNDERBODY,FWD

1-[2-156]



1-[2-156]

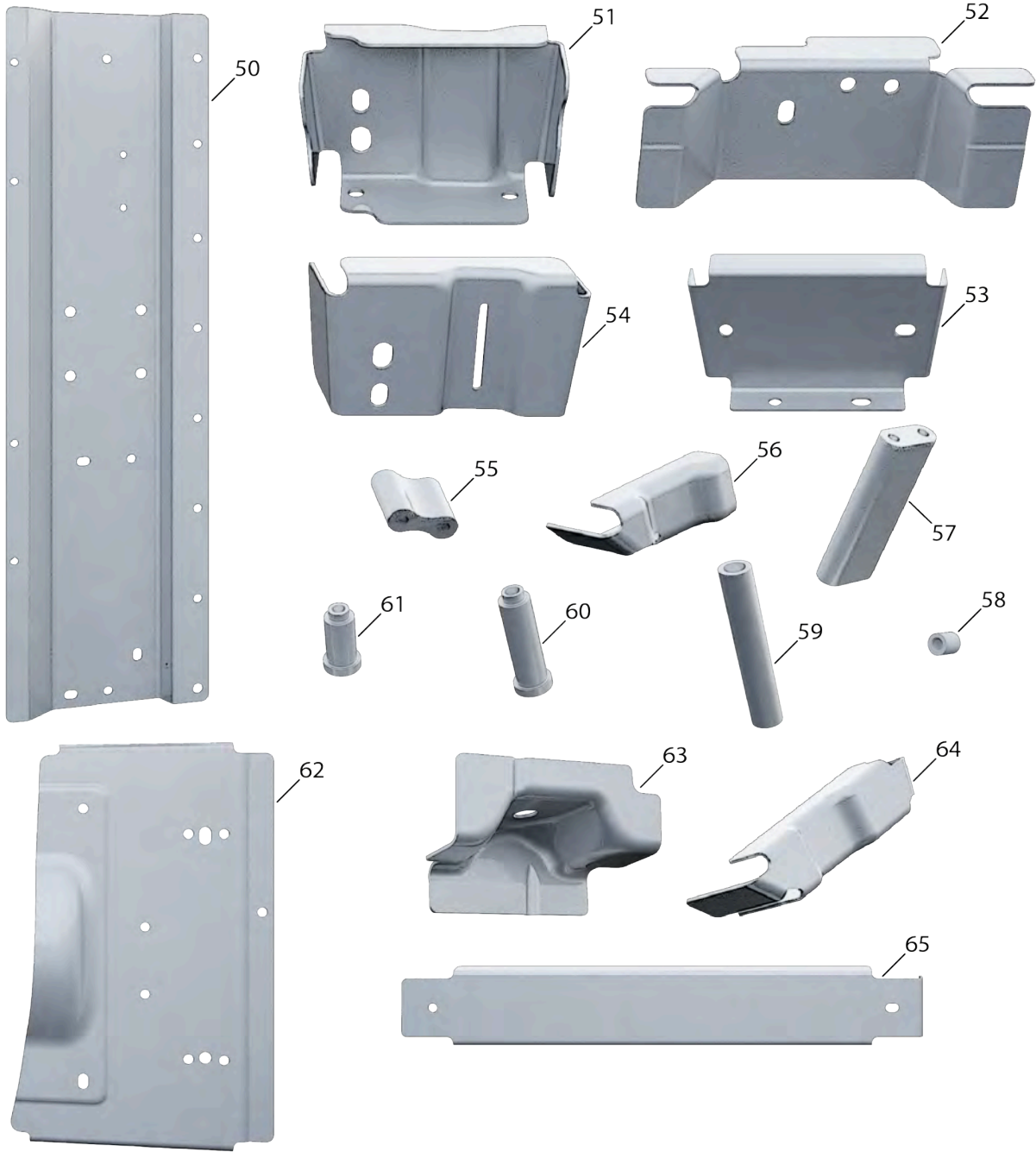


UNDERBODY,FWD

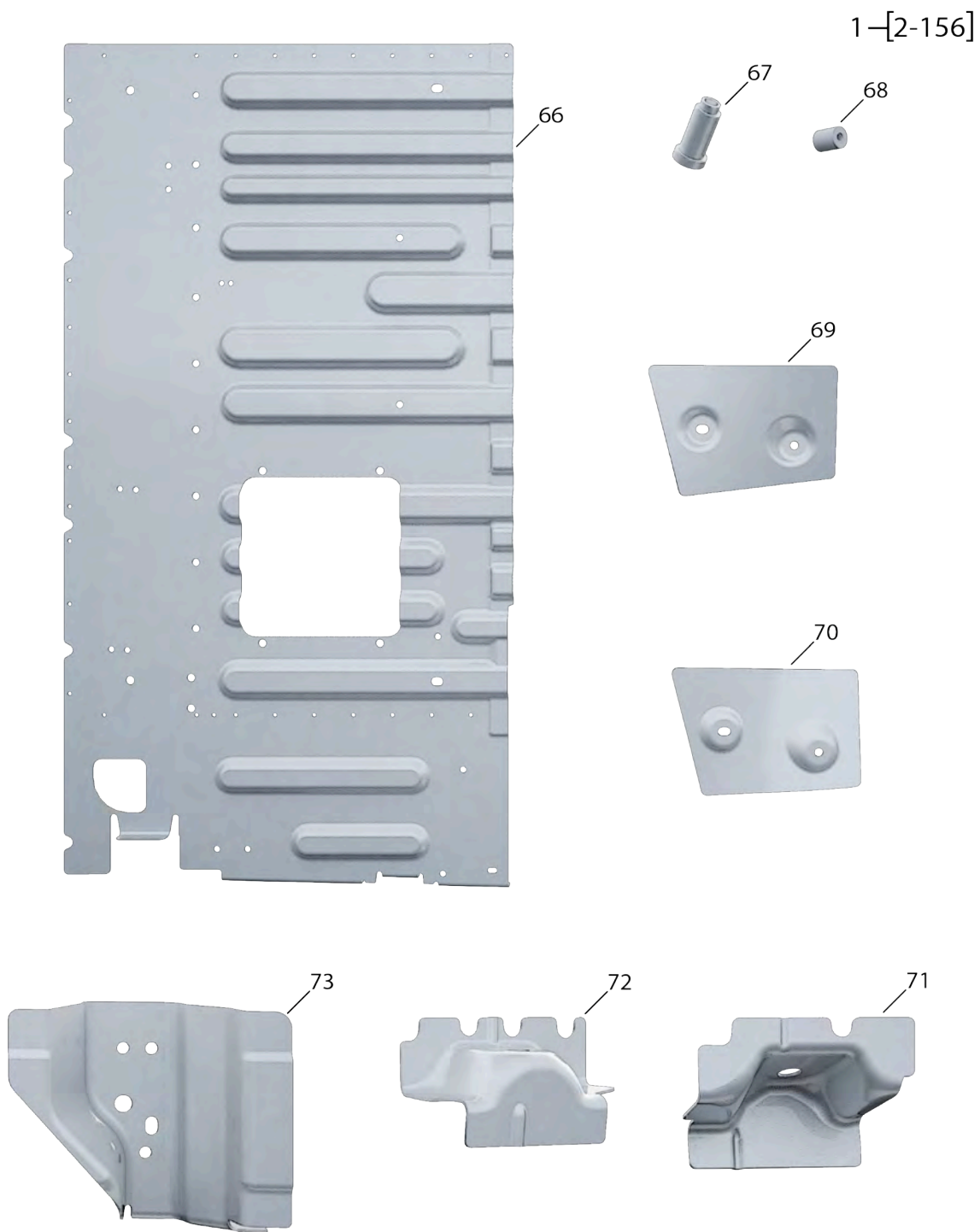
1-[2-156]



1-[2-156]



UNDERBODY,FWD



1-[2-156]

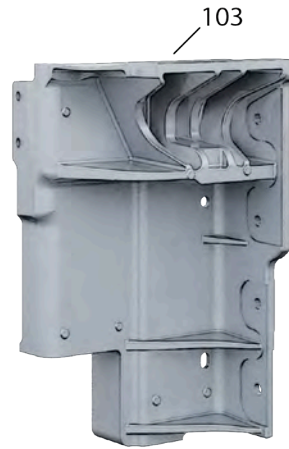
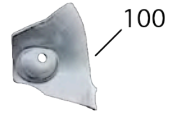
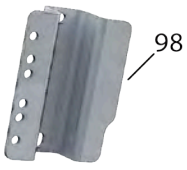


UNDERBODY,FWD

1-[2-156]



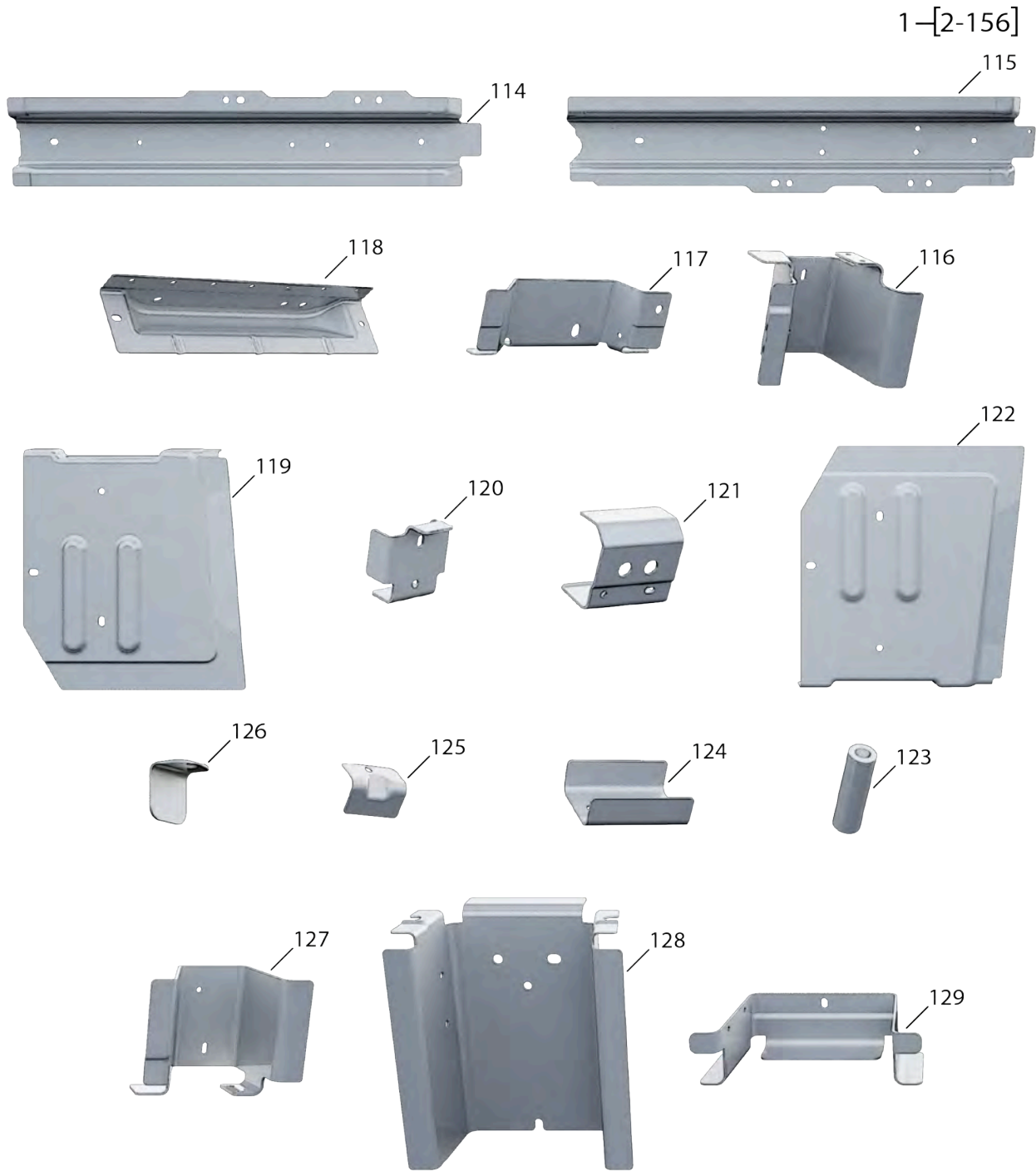
1-[2-156]



UNDERBODY,FWD

1-[2-156]



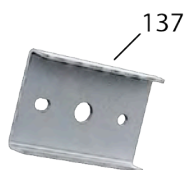
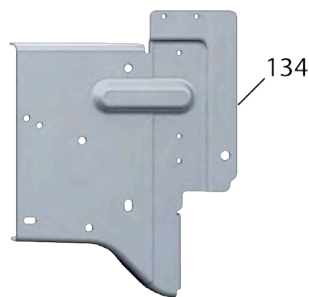
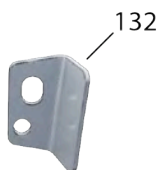


UNDERBODY,FWD

1-[2-156]



130



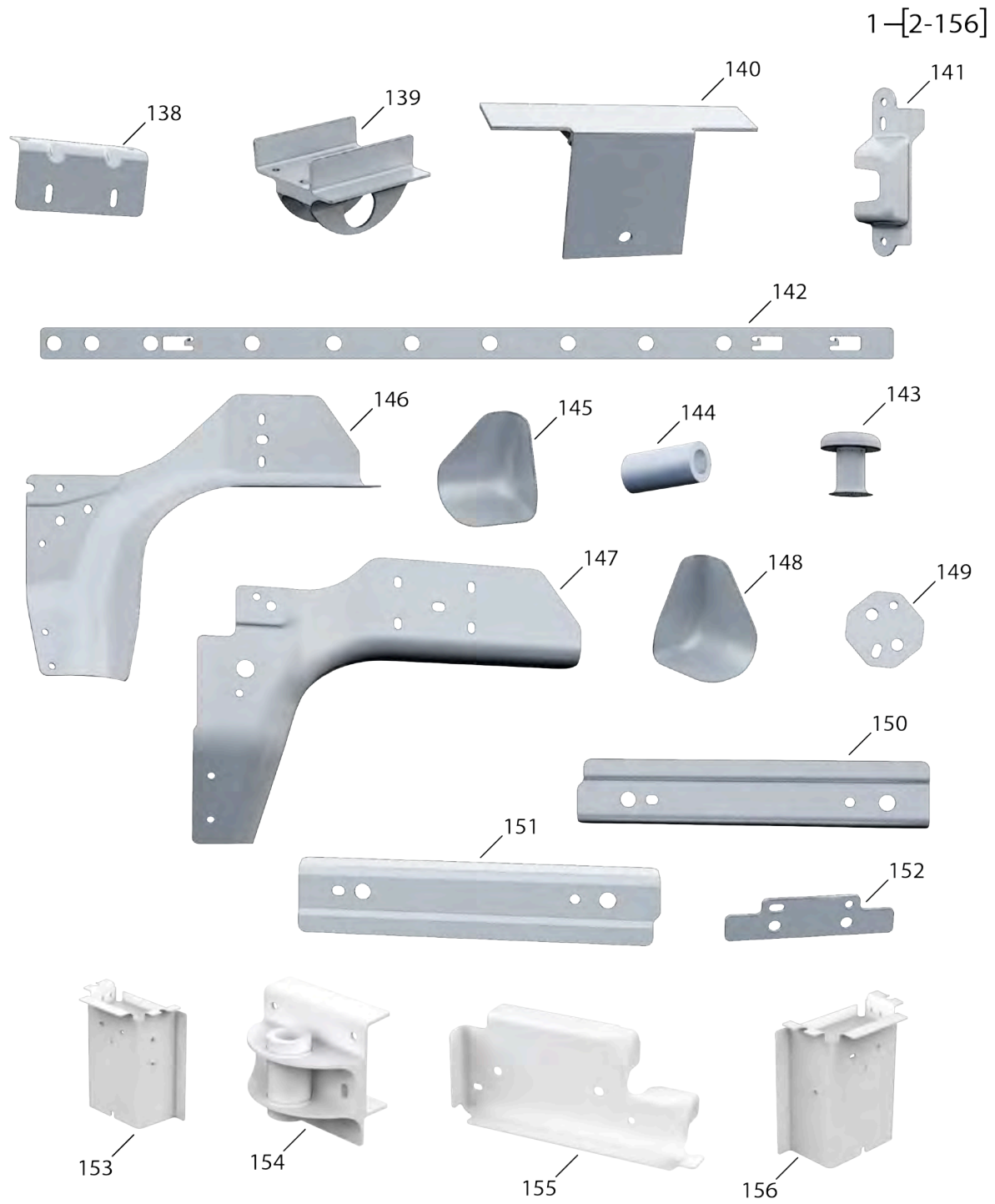


Table 238. UNDERBODY,FWD

Item Number	Part Number	Description	Quantity	Primary Source
1	COS1000080929	UNDERBODY,COMPL ASSY	1	Oshkosh Defense
2	U02CVA	TURRET,UPR,LH,CSTG	1	Oshkosh Defense
3	COS0000410115	PNL,FIREWALL,RH STPG	1	Oshkosh Defense
4	COS0000410116	PNL,FIREWALL,LH STPG	1	Oshkosh Defense
5	COS1000003331	RAIL,MID,RH RFMD	1	Oshkosh Defense
6	COS0000410222	PNL,DOOR RING,FR, INR,RH STPG	1	Oshkosh Defense
7	COS0000410109	PNL,INR FND,UPR,FR, STPG,RH	1	Oshkosh Defense
8	COS0000410112	PNL,INR FND,UPR,FR, STPG,LH	1	Oshkosh Defense
9	COS0000410118	PNL,FIREWALL, TOP	1	Oshkosh Defense
10	COS1000003332	STEPS,ENDCAP,FRONT	1	Oshkosh Defense
11	COS1000003310	STEP,CENTER MOUNT RFMD	1	Oshkosh Defense
12	U1300A	SCR,FLG,HEX,DGP M8X25 C8.8 MG	2	Oshkosh Defense
13	U02EXA	FLOOR,FR,RH BLKG	1	Oshkosh Defense
14	COS1000003280	PNL,FIREWALL,STRG MT STPG	1	Oshkosh Defense
15	COS0000410187	PNL,DOOR RING,FR, INR,LH	1	Oshkosh Defense
16	U02CXA	PNL,WHL WELL,INR,RH STPG	1	Oshkosh Defense
17	U02CWA	PNL,WHL WELL,INR,LH STPG	1	Oshkosh Defense
18	COS1000003409	FRAME,LWR,FR,OTR,RH STPG	1	Oshkosh Defense
19	COS1000003334	STEP,FR,MID RFMD	1	Oshkosh Defense
20	COS1000003402	FRAME,LWR,FR,INR,LH STPG	1	Oshkosh Defense
21	COS1000003403	FRAME,LWR,FR,OTR,LH STPG	1	Oshkosh Defense
22	COS1000003356	RAIL,4TH XMBR RFMD	1	Oshkosh Defense
23	U02D0A	EXT,FLOOR STEP COVER,RH BKPR	1	Oshkosh Defense
24	U02CZA	PT MT,UPR,FR,RH STPG	1	Oshkosh Defense
25	U02CYA	FLOOR,FRONT	1	Oshkosh Defense
26	U02D1A	STEPS,ENDCAP,RR LH STPG	1	Oshkosh Defense
27	COS1000014870	FRAME,LWR,FR,INR,RH STPG	1	Oshkosh Defense
28	COS1000011789	STEPS,ENDCAP,FR LH STPG	1	Oshkosh Defense
29	COS1000014760	GUSSET,B PLR,SPRT STPG	1	Oshkosh Defense
30	COS1000013149	BRKT,FR SEAT REINF BKPR	1	Oshkosh Defense
31	COS1000015296	RAIL,3RD XMBR STPG	1	Oshkosh Defense
32	COS1000012539	XMBR,FR,CTR BKPR	1	Oshkosh Defense
33	COS1000013096	RAIL,MID,LH RFMD	1	Oshkosh Defense
34	U02D2A	TURRET,UPR,RH,CSTG	1	Oshkosh Defense
35	U02D5A	TRQ BOX,LH,CSTG	1	Oshkosh Defense
36	U02EYA	BRKT,2ND XMBR,SPRT, RH	1	Oshkosh Defense
37	COS1000020412	SIDE STEP PLATE COVER LH	1	Oshkosh Defense
38	U02D4A	BRKT,L BKPR	1	Oshkosh Defense
39	COS1000019722	RAIL,5TH XMBR RFMD	1	Oshkosh Defense
40	COS1000020143	RAIL,2ND XMBR BKPR	1	Oshkosh Defense
41	U02D3A	TRQ BOX,RH,CSTG	1	Oshkosh Defense
42	COS1000025619	PNL,FIREWALL, TOP STPG	1	Oshkosh Defense
43	COS1000020977	RAIL,FR SLV MTG,RH STPG	1	Oshkosh Defense
44	COS1000020978	FR RAIL,SLV MTG,LH STPG	1	Oshkosh Defense
45	COS1000023573	BRKT,ACC PEDAL STPG	1	Oshkosh Defense
46	U02D8A	BRKT,STEP CAP REINF LH,STPG	1	Oshkosh Defense
47	U02D7A	PNL,FIREWALL,RH STPG	1	Oshkosh Defense
48	U02EZA	BRKT,STEP CAP REINF RH STPG	1	Oshkosh Defense
49	U02D6A	BRKT,B PLR REINF LH STPG	1	Oshkosh Defense
50	COS1000031264	XMBR,PTN BKPR	1	Oshkosh Defense
51	U02D9A	BRKT A,FR MAIL TRAY BNCLR STPG	1	Oshkosh Defense
52	U02F0A	XMBR SPRT STPG	1	Oshkosh Defense
53	U02DAA	XMBR BHD BKPR	2	Oshkosh Defense
54	COS1000042799	BRKT,FR MAIL TRAY B BNCLR STPG	1	Oshkosh Defense
55	COS1000042597	EXTRUSION,SLV,MAIL TRAY BNCLR	2	Oshkosh Defense
56	COS1000042598	BRKT,MAIL TRAY SPRT STPG	1	Oshkosh Defense
57	COS1000042798	EXTRUSION,SLV,FR MT BNCLR	1	Oshkosh Defense
58	COS1000044463	EXTRUSION,SLV,BRAKE	4	Oshkosh Defense

Table 238. UNDERBODY,FWD (continued)

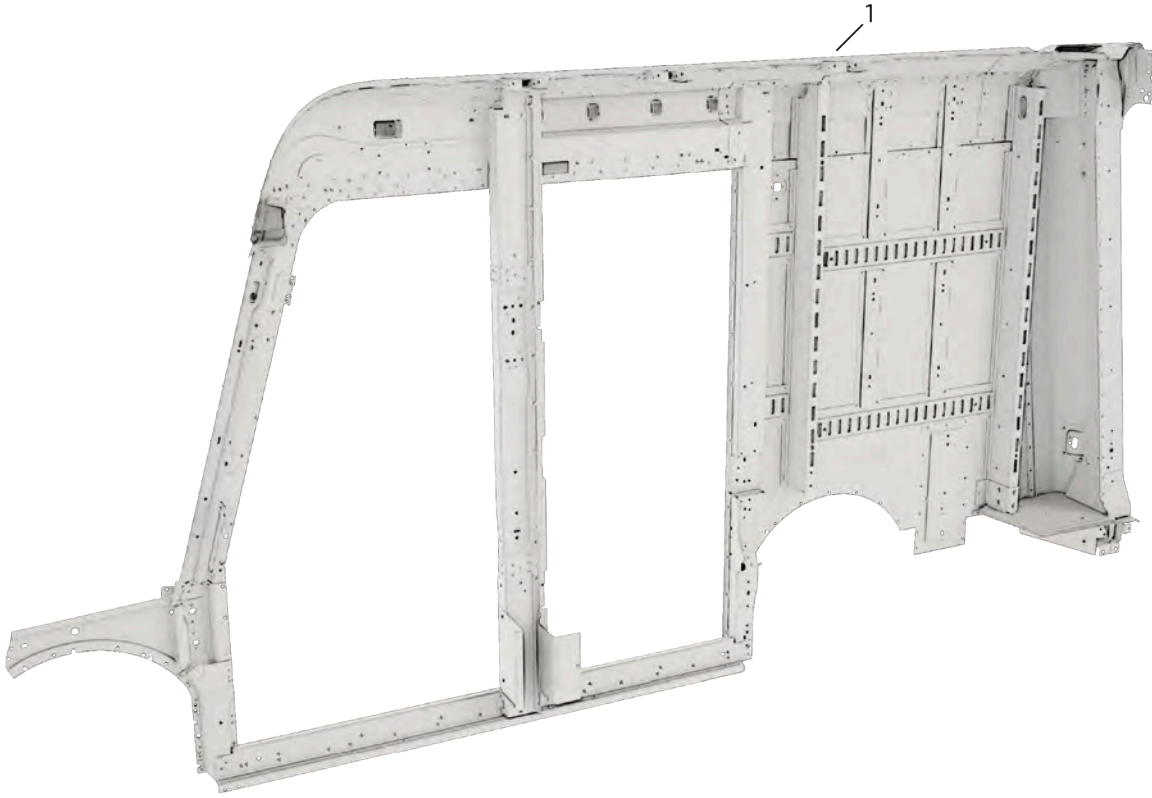
Item Number	Part Number	Description	Quantity	Primary Source
59	COS1000044455	EXTRUSION,SLV,RAIL	2	Oshkosh Defense
60	COS1000044822	SLEEVE,MNT,FRT,RH	1	Oshkosh Defense
61	COS1000044823	EXTRUSION,ENG,MT, RR,RH	1	Oshkosh Defense
62	COS1000045141	BRKT FR FLR CAT CONV STPG	1	Oshkosh Defense
63	U02DBA	BRKT,ENG,MT,LH STPG	1	Oshkosh Defense
64	COS1000042779	BRKT,MAIL,TRAY,SPRT	1	Oshkosh Defense
65	U02DCA	BRKT UND FR FLOOR BKPR	1	Oshkosh Defense
66	U02DDA	FLOOR,MID STPG	1	Oshkosh Defense
67	COS1000045202	EXTRUSION,SLV,ENG	2	Oshkosh Defense
68	COS1000045781	EXTRUSION,SLV,NUT M8X24.4	2	Oshkosh Defense
69	U02DHA	REINF,FRAME,LWR,FR, OTR,LH STPG	1	Oshkosh Defense
70	U02DGA	REINF,FRAME,LWR,FR, OTR,RH STPG	1	Oshkosh Defense
71	U02DFA	BRKT,ENG MT 2,LH STPG	1	Oshkosh Defense
72	U02DEA	BRKT,ENG MT 2,LH STPG	1	Oshkosh Defense
73	COS1000046978	BRKT,2ND XMBR,SPRT, LH	1	Oshkosh Defense
74	U02DJA	REINF,TOP,FR,LWR, INR,RH STPG	1	Oshkosh Defense
75	U02DMA	REINF,BOT,FR,LWR, INR,LH STPG	1	Oshkosh Defense
76	U02DPA	REINF,BOT,FR,LWR, INR,RH STPG	1	Oshkosh Defense
77	U02DNA	PNL,FIREWALL, TOP STPG	1	Oshkosh Defense
78	U02DKA	REINF,BOT,FR,LWR, INR,RH STPG	1	Oshkosh Defense
79	U02DLA	REINF,TOP,FR,LWR, INR,LH STPG	1	Oshkosh Defense
80	U02DQA	REINF,TOP,FR,LWR INR,RH STPG	1	Oshkosh Defense
81	COS1000055429	PNL,FIREWALL, TOP STPG	1	Oshkosh Defense
82	U02DRA	REINF,TOP,FR,LWR, INR,LH STPG	1	Oshkosh Defense
83	COS1000056661	PLATE,PNL,INR FND BLKG	2	Oshkosh Defense
84	U02DTA	PLATE,ENG MT,FR	1	Oshkosh Defense
85	U02DUA	REINF,TOP,FR,LWR, INR,RH STPG	1	Oshkosh Defense
86	U02DSA	REINF,BOT,FR,LWR INR,LH STPG	1	Oshkosh Defense
87	COS1000057750	PNL,FIREWALL,RH STPG	1	Oshkosh Defense
88	U02DWA	UPR A PLR FR BHD BKPR	6	Oshkosh Defense
89	U02DVA	REINF,TOP,FR,LFR, INR,LH STPG	1	Oshkosh Defense
90	U02F1A	LWR A PLR RR BHD STPG	2	Oshkosh Defense
91	U02F2A	BRKT,L,FR,STEP, REINF,STPG	1	Oshkosh Defense
92	U02DXA	PLATE PLP RH STPG	1	Oshkosh Defense
93	U02E0A	PNL,FIREWALL,RH STPG	1	Oshkosh Defense
94	U02DZA	REINF,BOT,FR,LWR, FR,LH STPG	1	Oshkosh Defense
95	U02DYA	BRKT,L,FR,STEP, REINF,LH STPG	1	Oshkosh Defense
96	COS1000060596	FUEL,CSTR,SPRT,MTG, BRKT,BKPR	1	Oshkosh Defense
97	U02E1A	BRKT,BRAKE LINES,FW BKPR	1	Oshkosh Defense
98	U02E4A	A PLR,FLOOR,REINF BKPR	2	Oshkosh Defense
99	U02E2A	PNL,WH WELL,INR,RH STPG	1	Oshkosh Defense
100	U02E5A	PNL,FIREWALL,RH STPG	1	Oshkosh Defense
101	U02E3A	LWR A PLR RR BHD LH STPG	2	Oshkosh Defense
102	COS1000067240	PNL,FIREWALL,CTR	1	Oshkosh Defense
103	U02J7A	RAIL,SUB,RR,RH,CSTG	1	Oshkosh Defense
104	U02J8A	RAIL,SUB,RR,LH,CSTG	1	Oshkosh Defense
105	U02J9A	BRKT,3RD,XMBR,SPRT STPG	2	Oshkosh Defense
106	U02EBA	WHEEL HOUSE,RH STPG	1	Oshkosh Defense
107	COS1000082061	SLV,JOUNCE	2	Oshkosh Defense
108	COS1000082905	BRKT,SEAT,FR,REINF, FR STPG	1	Oshkosh Defense
109	U02ECA	WHEEL HOUSE,LH STPG	1	Oshkosh Defense
110	U02EAA	FLOOR,RR	1	Oshkosh Defense
111	U02JCA	BRKT,XMBR,4TH,SPRT, RH	1	Oshkosh Defense
112	U02JAA	BRKT,XMBR,4TH,SPRT, LH	1	Oshkosh Defense
113	U02JBA	BRKT,RR,SHOCK,OUT, MTG,RH STPG	2	Oshkosh Defense
114	COS1000102806	RAIL,LONG FR,RH STPG	1	Oshkosh Defense
115	COS1000102807	RAIL,LONG FR,LH STPG	1	Oshkosh Defense
116	U02FAA	BRKT,5TH XMBR,RH STPG	1	Oshkosh Defense

Table 238. UNDERBODY,FWD (continued)

Item Number	Part Number	Description	Quantity	Primary Source
117	COS1000103635	BRKT,3RD XMBR SPRT,LH STPG	1	Oshkosh Defense
118	U02F9A	BRKT,DRVR SEAT MTG, RH STPG	1	Oshkosh Defense
119	U02EEA	PNL,FLOOR,RR,RH,OTR	1	Oshkosh Defense
120	U02EFA	BHD,RAIL,RR,STPG	2	Oshkosh Defense
121	COS1000110148	REINF,SEAT,IB,RR STPG	1	Oshkosh Defense
122	U02EPA	PNL,FLR,AWD,RR,LH, OTR STPG	1	Oshkosh Defense
123	COS1000120160	SLV,TRLR HITCH BRKT	4	Oshkosh Defense
124	COS1000126592	BRKT,JOUNCE BMPR MT LWR	2	Oshkosh Defense
125	U02FBA	FLOOR,FR,RH	1	Oshkosh Defense
126	COS1000110243	BRKT,SEAT ATCH,FR OB,RH STPG	1	Oshkosh Defense
127	U02ELA	BRKT,5TH XMBR,LH STPG	1	Oshkosh Defense
128	U02ENA	SUPPROT,REAR	2	Oshkosh Defense
129	U02JDA	BRKT,SPRT,RR,RH STPG	2	Oshkosh Defense
130	U02EQA	FLOOR,RR,LH,AWD	1	Oshkosh Defense
131	U02ERA	BRKT,RCM MTG	1	Oshkosh Defense
132	COS1000135344	BRKT,COWL SPRT RH	1	Oshkosh Defense
133	COS1000135345	BRKT,COWL SPRT LH	1	Oshkosh Defense
134	COS1000150618	FLOOR,RR,FR,LH AWD	1	Oshkosh Defense
135	U02ESA	FLOOR EXT WH COVER AWD	1	Oshkosh Defense
136	COS1000132794	BRKT,RR BMPR ATCH	2	Oshkosh Defense
137	COS1000126594	BRKT,JOUNCE BMPR MT UPR	2	Oshkosh Defense
138	COS1000154481	FLOOR BRIDGE BRKT	1	Oshkosh Defense
139	D000U441	SPRING HANGER,RR	3	Oshkosh Defense
140	U02JEA	SPRING HANGER,FR	2	Oshkosh Defense
141	D008D391	BRKT,IP BEAM MOUNT, LH	1	Oshkosh Defense
142	U02JFA	PLATE,WHEEL HOUSE, FWD	2	Oshkosh Defense
143	D010V646	FLOOR ASM SPR,2T ASSY	1	Oshkosh Defense
144	D000U442	TUBE,RND 53.9X9X102.8	3	Oshkosh Defense
145	U02EUA	BRKT,C PLR,REINF, STPG	1	Oshkosh Defense
146	U02ETA	BRKT,C,PLR,REINF, RH,STPG	1	Oshkosh Defense
147	U02EVA	BRKT,C-PLR,REINF, LH,STPG	1	Oshkosh Defense
148	U02EWA	BRKT,C,PLR,REINF, STPG	1	Oshkosh Defense
149	D008V318	NUT PLATE,M8	2	Oshkosh Defense
150	D010F618	BRKT,STDF,RH 432.5X85.7X39.5	1	Oshkosh Defense
151	D010H703	BRKT,STDF,LH 432.5X85.7X39.5	1	Oshkosh Defense
152	D008V328	PLATE,CLINCH	6	Oshkosh Defense
153	U02F5A	SPRT RR,RH ASSY	1	Oshkosh Defense
154	U02JGA	SPRING HANGER,RR, WLDMT	1	Oshkosh Defense
155	U02FEA	STEPS,ENDCAP,RR LH STPG ASM	1	Oshkosh Defense
156	U02FFA	SPRT,REAR,LH,ASSY	1	Oshkosh Defense

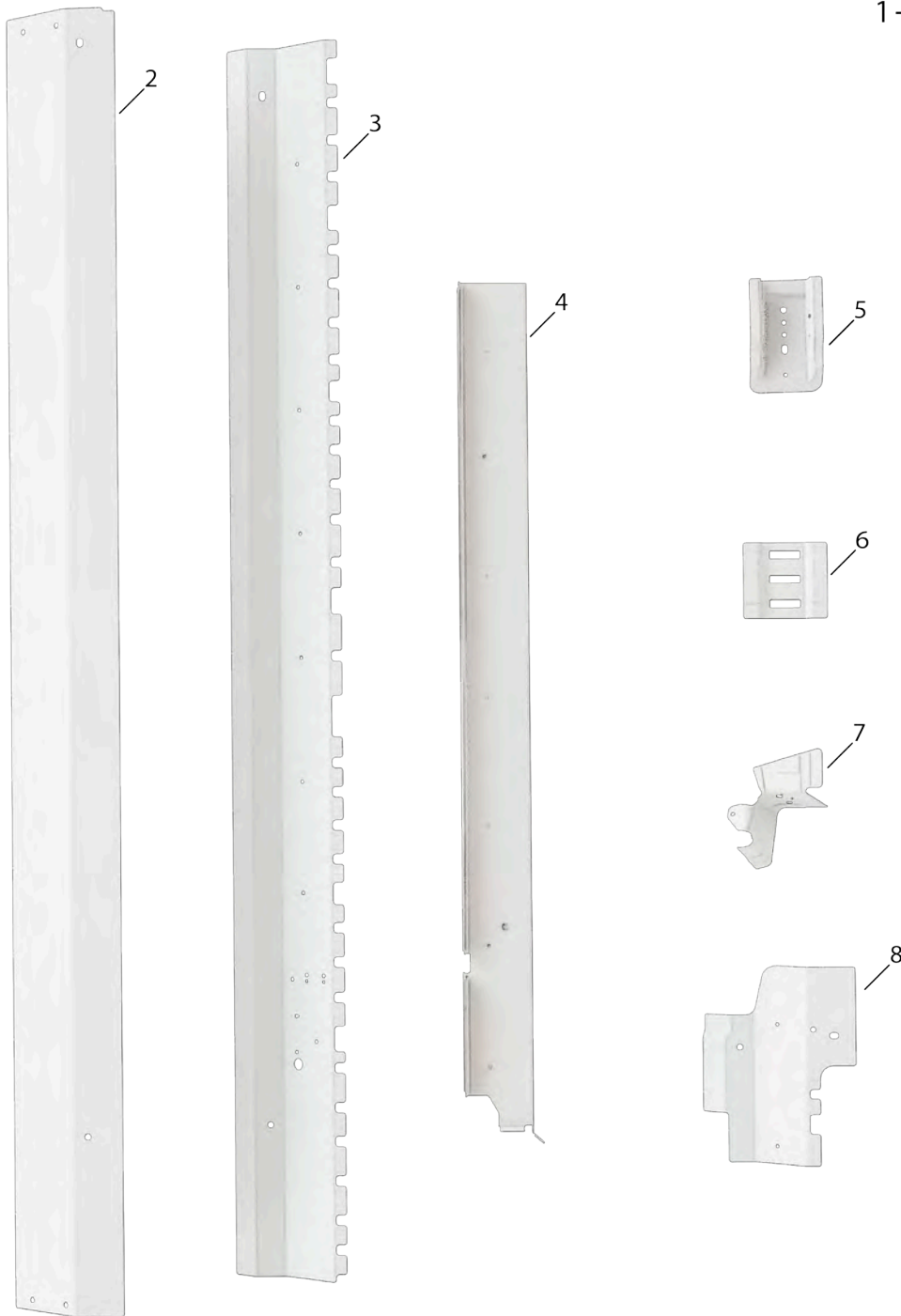
BODYSIDE,RH ASSY,AWD

1-[2-95]

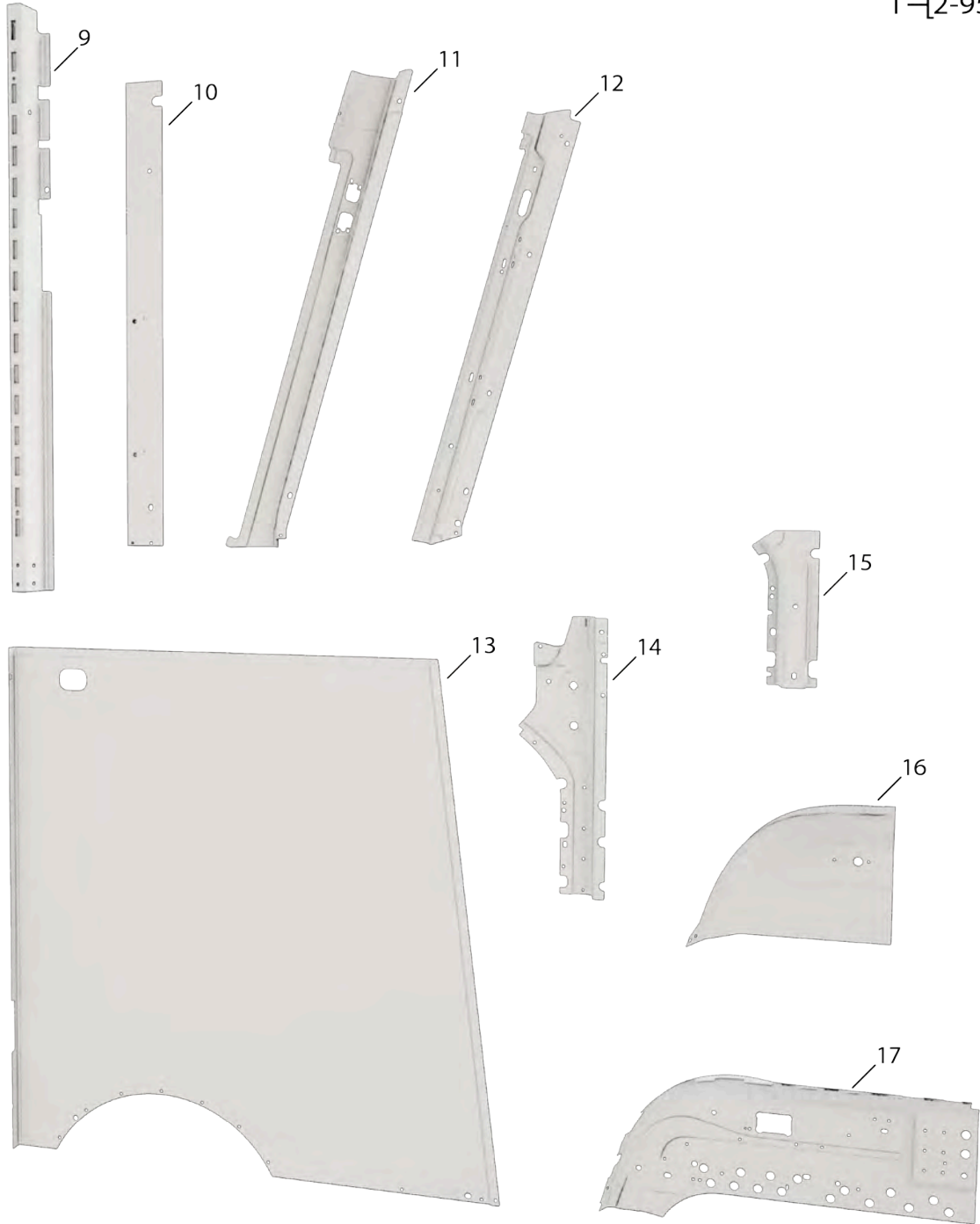


BODYSIDE,RH ASSY,AWD

1-[2-95]



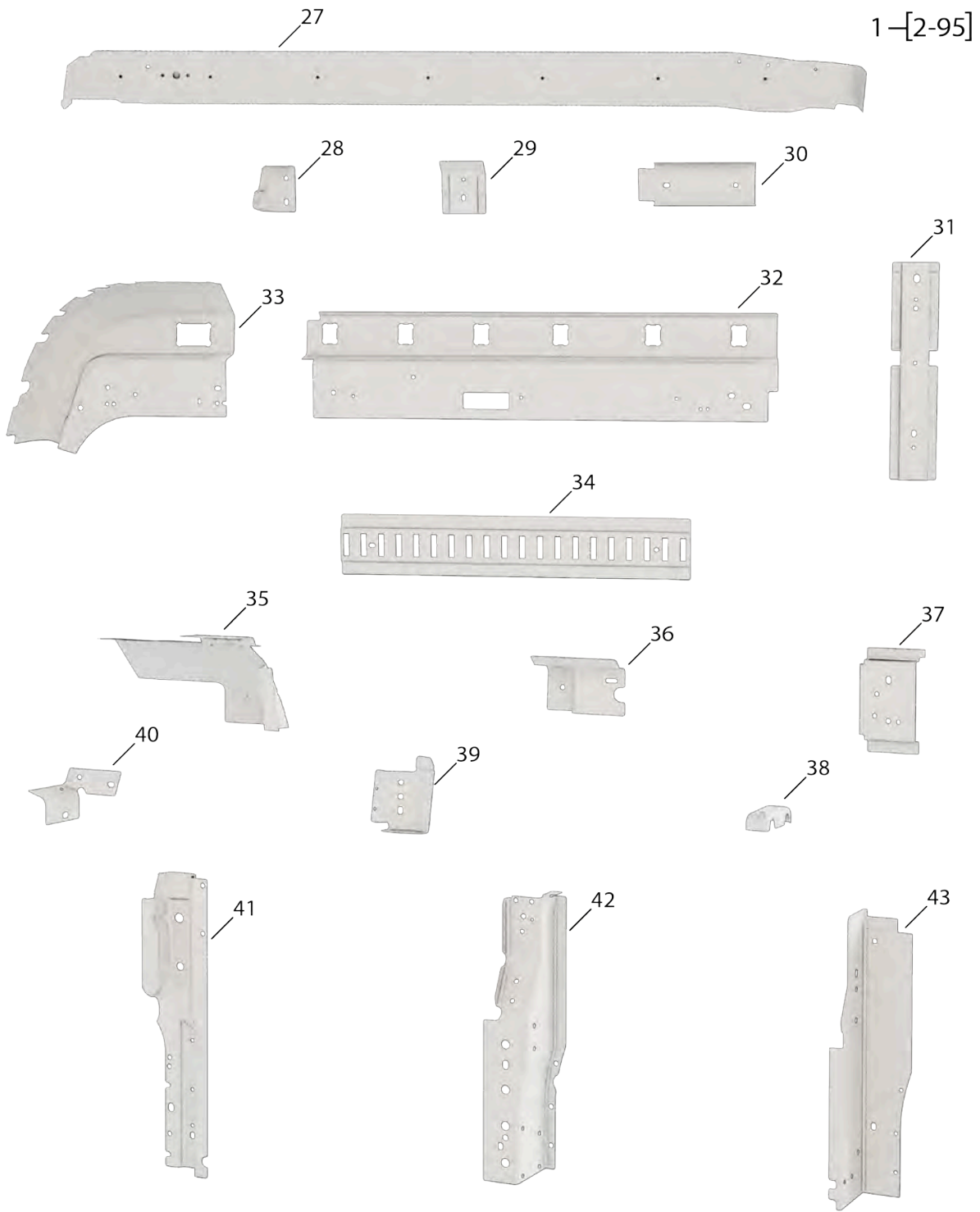
1-[2-95]



BODYSIDE,RH ASSY,AWD

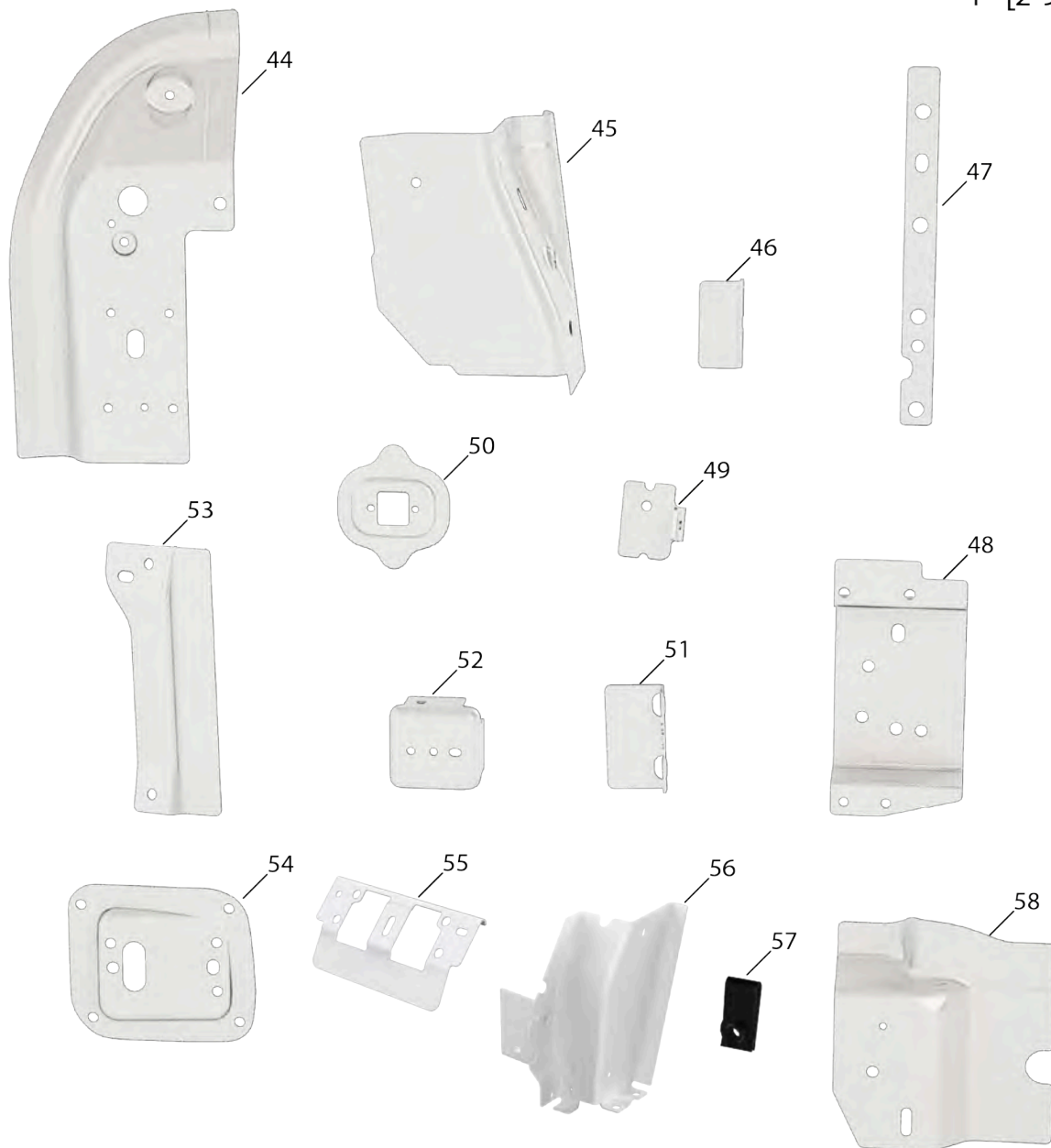
1-[2-95]



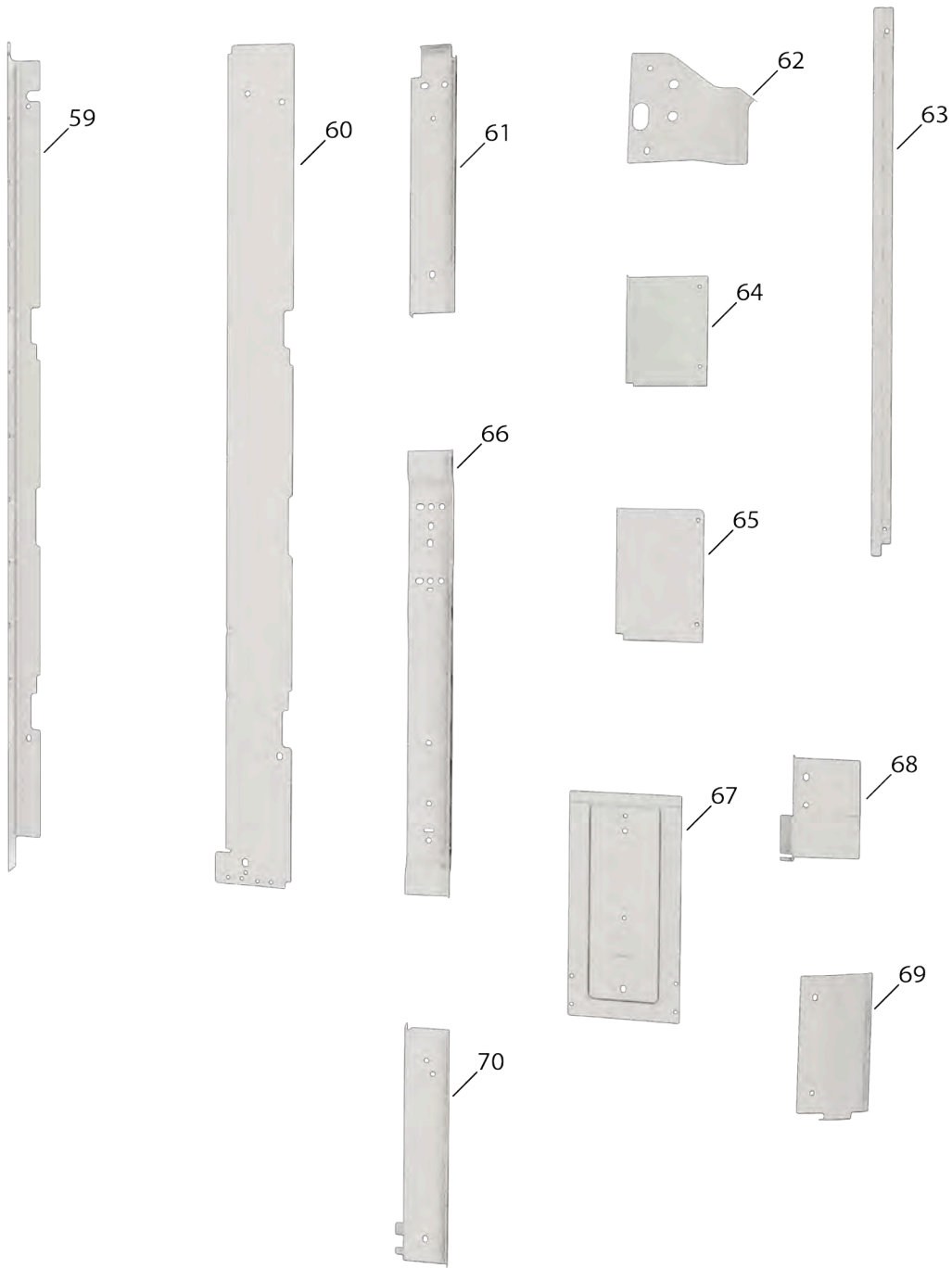


BODYSIDE,RH ASSY,AWD

1-[2-95]



1-[2-95]



BODYSIDE,RH ASSY,AWD

1-[2-95]

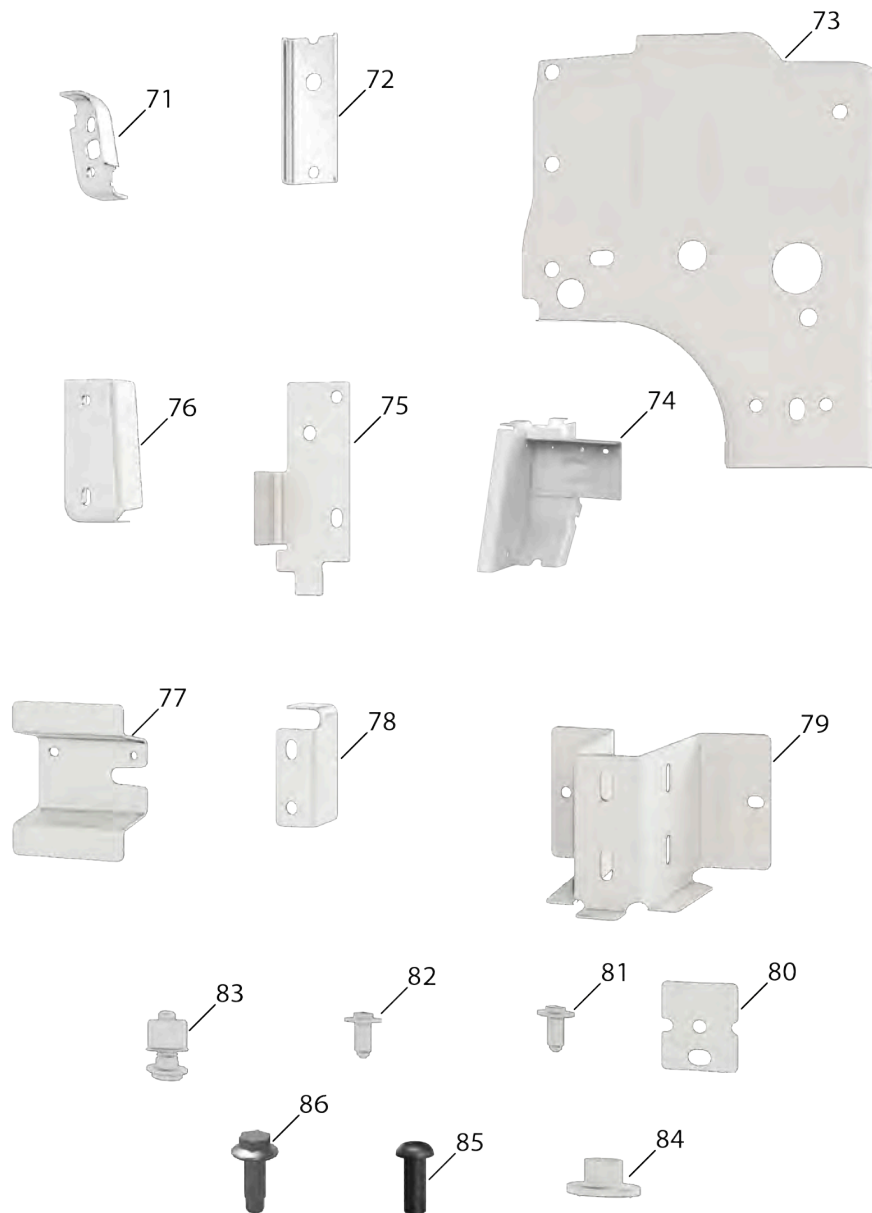




Table 239. BODYSIDE,RH ASSY,AWD

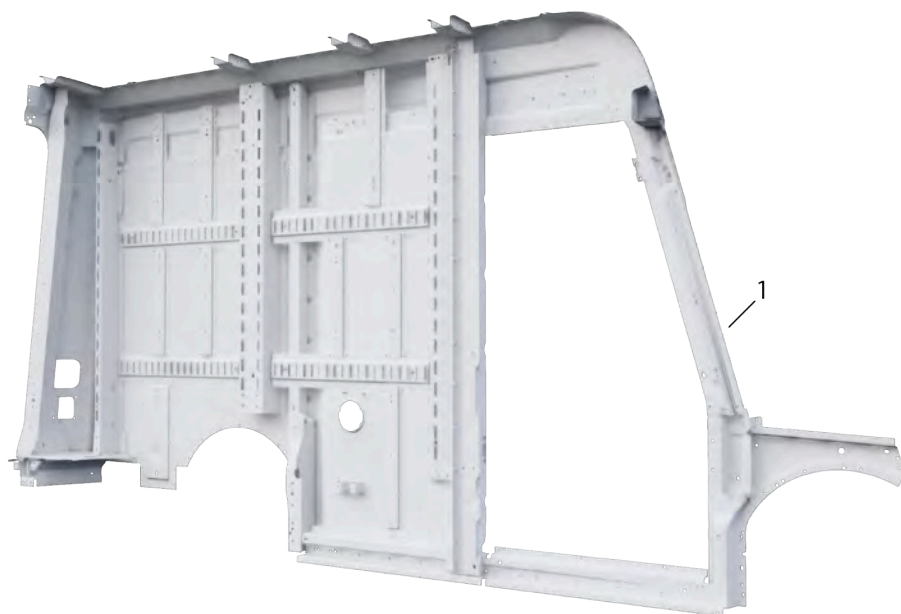
Item Number	Part Number	Description	Quantity	Primary Source
1	COS1000012945	BODYSIDE,RH ASSY	1	Oshkosh Defense
2	U029AA	RAIL,OTR, TOP,RH, RFMD	1	Oshkosh Defense
3	U029BA	RAIL,INR, TOP,RH, RFMD	1	Oshkosh Defense
4	COS0000410213	SHELF MNT-BS SUPT, FRT,RH	1	Oshkosh Defense
5	U029JA	CHAN,HAT, ROOF-PARTITION WALL	4	Oshkosh Defense
6	U029EA	TRACK,CARGO,FR,RH STPG	2	Oshkosh Defense
7	U029DA	JT,COR,INR,FR,RH STPG	1	Oshkosh Defense
8	U029CA	COR SPRT,RR,INR,UPR RH STPG	2	Oshkosh Defense
9	COS0000410214	D PLR,RH RFMD	1	Oshkosh Defense
10	U029GA	PNL,C-PILLAR,RH	2	Oshkosh Defense
11	COS0000410226	A PLR,RH STPG	2	Oshkosh Defense
12	U029FA	A PLR,INR,RH STPG	2	Oshkosh Defense
13	U029HA	PNL,WALL,RH STPG	1	Oshkosh Defense
14	COS1000003288	PNL,OTR,DR,LWR,FR, RH STPG	2	Oshkosh Defense
15	U029LA	PNL,INR FND,FR,RH STPG	2	Oshkosh Defense
16	U029KA	PNL,ROOF,FR,RH STPG	1	Oshkosh Defense
17	COS0000410220	PNL,UPR INR C SPRT, FR,RH STPG	1	Oshkosh Defense
18	U029QA	PNL,ROOF,RH RFRM	1	Oshkosh Defense
19	COS1000012782	RAIL,STEP SPRT,OTR, RH RFMD	1	Oshkosh Defense
20	COS1000003324	PANEL,UPR TOP TRACK SPRT,RH	1	Oshkosh Defense
21	COS1000013164	PNL,OTR FND,FR,RH STPG	2	Oshkosh Defense
22	U029NA	CAP,UPR TRK SPRT, RR	4	Oshkosh Defense
23	U029PA	COR,WALL,RR,UPR,RH STPG	1	Oshkosh Defense
24	U029RA	CLOSE OUT STPG	3	Oshkosh Defense
25	U029MA	OUTRIGGER,RR STPG	4	Oshkosh Defense
26	COS1000005861	CHAN,HAT,ROOF STPG	3	Oshkosh Defense
27	U029XA	REINF,INR COR,RR RH STPG	3	Oshkosh Defense
28	U029TA	CLOSE OUT,RH STPG	1	Oshkosh Defense
29	U029WA	BRKT,PLR STPG	2	Oshkosh Defense
30	U029YA	OB RR XMBR BHD RH BKPR	3	Oshkosh Defense
31	U029UA	VERT COL,UPR,FR,LH STPG	4	Oshkosh Defense
32	COS1000026199	REINF,UPR,MID,RH BKPR	1	Oshkosh Defense
33	U029VA	PNL,UPR OTR CAB SPRT,FR,RH STPG	2	Oshkosh Defense
34	U029SA	TRACK,CARGO,RR RFMD	2	Oshkosh Defense
35	U02A1A	SPRT,RR UPR,HDR,RH STPG	3	Oshkosh Defense
36	U02A2A	BRKT,C PLR UPR STPG	2	Oshkosh Defense
37	COS1000028972	BRKT,STRIKER MT,C PLR BKPR	2	Oshkosh Defense
38	U02A4A	END CAP,C PLR,LWR STPG	2	Oshkosh Defense
39	U02A6A	BRKT RR COR LWR REINF RH STPG	3	Oshkosh Defense
40	U02A5A	BRKT,FR HDR,UPR,RH STPG	1	Oshkosh Defense
41	U02A0A	PNL,DOOR RING LWR, FR,RH STPG	2	Oshkosh Defense
42	COS1000028944	BRKT,C PLR LWR,RR STPG	2	Oshkosh Defense
43	COS1000028951	BRKT,C PLR,LWR,FR STPG	2	Oshkosh Defense
44	U02AAA	PATCH,RR,UPR,RH STPG	1	Oshkosh Defense
45	U02A9A	PNL,RR PATCH,RH STPG	3	Oshkosh Defense
46	U02ABA	BRKT,STPG,OVER SLAM	4	Oshkosh Defense
47	COS1000058581	REINF PLATE,FLR BRKT BLKG	2	Oshkosh Defense
48	COS1000046356	BRKT,INR STRKR MT,C PLR STPG	2	Oshkosh Defense
49	COS1000043298	REINF,RH GRAB HDL, BKPR	4	Oshkosh Defense
50	U02A7A	BRKT,CAMERA MT,SIDE 2PC STPG	1	Oshkosh Defense
51	COS1000049752	BRKT,UPR IP BEAM MT,RH BKPR	2	Oshkosh Defense
52	COS1000042505	C PLR,REINF,GRAB, HDL,MT STPG	4	Oshkosh Defense
53	COS1000044307	BRKT,IP BEAM MT,RH STPG	2	Oshkosh Defense
54	COS1000053347	BRKT,RADAR MT,RR,RH STPG	3	Oshkosh Defense
55	COS1000046417	REINF MIRROR MT RH BKPR	1	Oshkosh Defense
56	U02AZA	OUTRIGGER RR,RH ASSY	1	Oshkosh Defense
57	4129654014	NUT,SELF-LOCKING, CLINCH,M8-1.25 0.8-4.5 NS MB	4	Oshkosh Defense
58	U02A8A	BRKT,DR TRACK TO C PLR,RH STPG	1	Oshkosh Defense

Table 239. BODYSIDE,RH ASSY,AWD (continued)

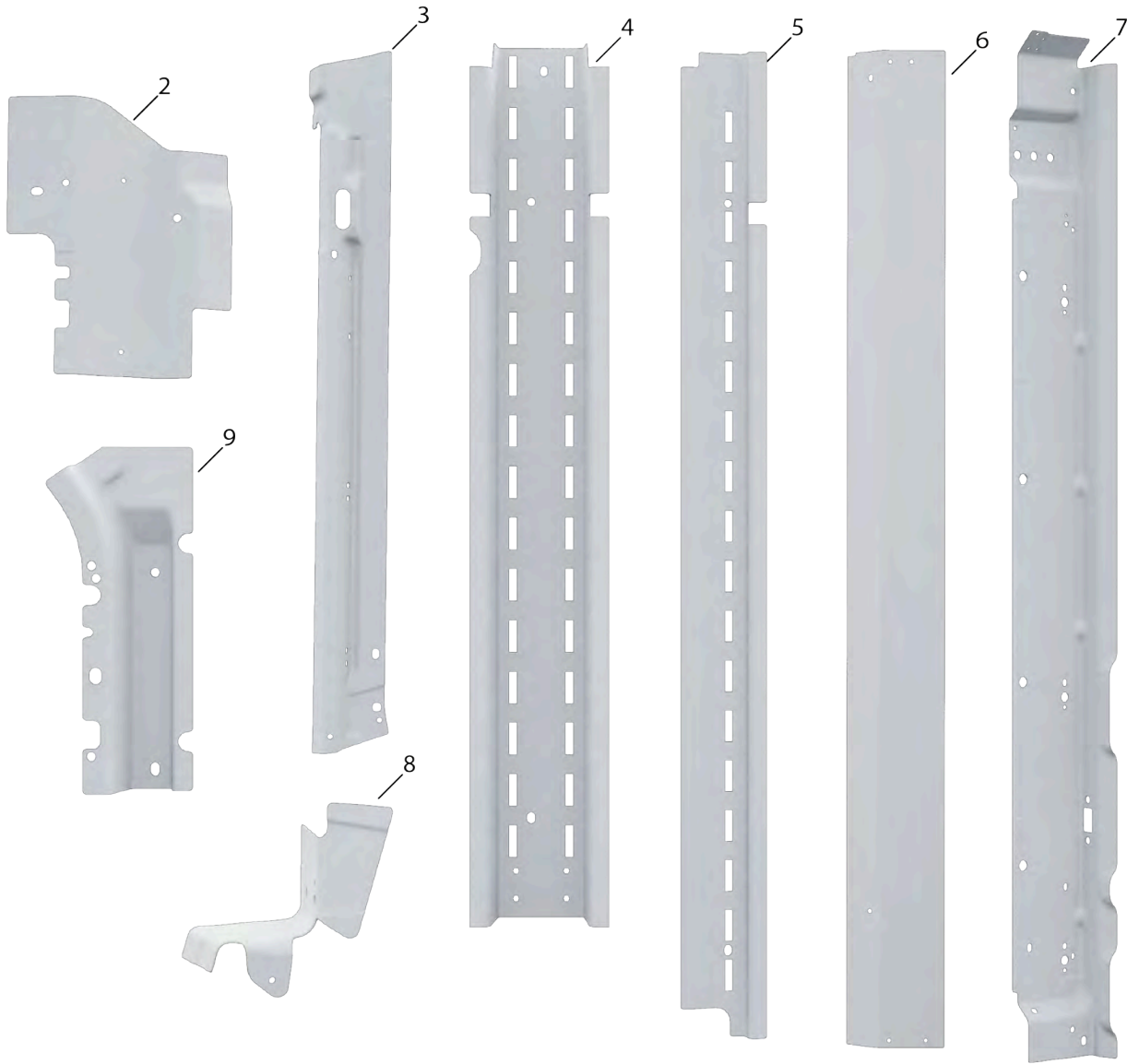
Item Number	Part Number	Description	Quantity	Primary Source
59	U02ANA	B PLR,INR,RR,RH STPG	2	Oshkosh Defense
60	COS1000106841	B PLR,RH STPG	2	Oshkosh Defense
61	COS1000111714	B PLR SPRT,UPR,RH STPG	2	Oshkosh Defense
62	U02ACA	BRKT,INR,UPR,RH RR STPG	3	Oshkosh Defense
63	U02AHA	BRKT,Z,UPR,OTR PNL, RH BKPR	1	Oshkosh Defense
64	U02AJA	PNL,RR,STEP, CLOSEOUT BKPR	2	Oshkosh Defense
65	U02AKA	PNL,FR,STEP, CLOSEOUT BKPR	2	Oshkosh Defense
66	COS1000111717	SPRT,B-PILLAR,UPR, RH	2	Oshkosh Defense
67	U02AQA	PNL,VERT COL LWR, RR,LH,STPG	1	Oshkosh Defense
68	U02AEA	REINF EXT,RR INR COR,RH BKPR	4	Oshkosh Defense
69	U02AMA	BRKT,FLR SPRT,RH STPG	3	Oshkosh Defense
70	COS1000111715	B PLR SPRT,LWR,RH STPG	2	Oshkosh Defense
71	U02ADA	BHD,RH,STPG	6	Oshkosh Defense
72	COS1000082123	REINF,CARGO,DOOR, Bmpr BKPR	2	Oshkosh Defense
73	U02AUA	PATCH,RR UPR HDR,RH STPG	1	Oshkosh Defense
74	U02B0A	OUTRIGGER 1,RR LH ASSY	1	Oshkosh Defense
75	U02ALA	BRKT,BS TO C PLR,RH BKPR	1	Oshkosh Defense
76	U02AGA	BRKT,DOOR STOP MTG STPG	2	Oshkosh Defense
77	U02APA	BRKT,DOOR STOP STPG	6	Oshkosh Defense
78	U02AFA	BHD B PLR BKPR	2	Oshkosh Defense
79	U02ARA	D PLR E CART FRONT BRKT,RH	1	Oshkosh Defense
80	COS1000117524	PLATE,B PLR TAPPING STPG	4	Oshkosh Defense
81	D009Y537-002	STUD,WELD,FLG, M6-1.0X12 ST	1	Oshkosh Defense
82	D009Y537-003	STUD,WELD,FLG, M6-1.0X12 ST	1	Oshkosh Defense
83	D009Y537-001	STUD,GND M8-1.25X13 ST	1	Oshkosh Defense
84	D011C658	NUT,WELD,7/16-20	2	Oshkosh Defense
85	U02RBA	SCREW,CAP,SOCKET HEAD,M8-1.25X25 C10.9 MB	2	Oshkosh Defense
86	COS1000139511	D PLR REINF BOLT RH ASSY	1	Oshkosh Defense
87	U02AVA	PANEL,REAR BODY, FRT,RH	1	Oshkosh Defense
88	U02ATA	PNL,INR,RR,RH STPG	3	Oshkosh Defense
89	U02ASA	PNL,WALL,COR,RR,RH RFMD	3	Oshkosh Defense
90	U029ZA	PNL,DOOR RING UPR, FR,RH STPG	2	Oshkosh Defense
91	U02A3A	BRKT,C PLR,RR STPG	2	Oshkosh Defense
92	U02AWA	D PLR RH ASSY	1	Oshkosh Defense
93	U02AXA	A PLR,HPLR ,RH ASSY	1	Oshkosh Defense
94	U02AYA	B PLR,RH ASSY	1	Oshkosh Defense
95	U02B1A	C PLR,RH ASSY	1	Oshkosh Defense

BODYSIDE,LH ASSY,AWD

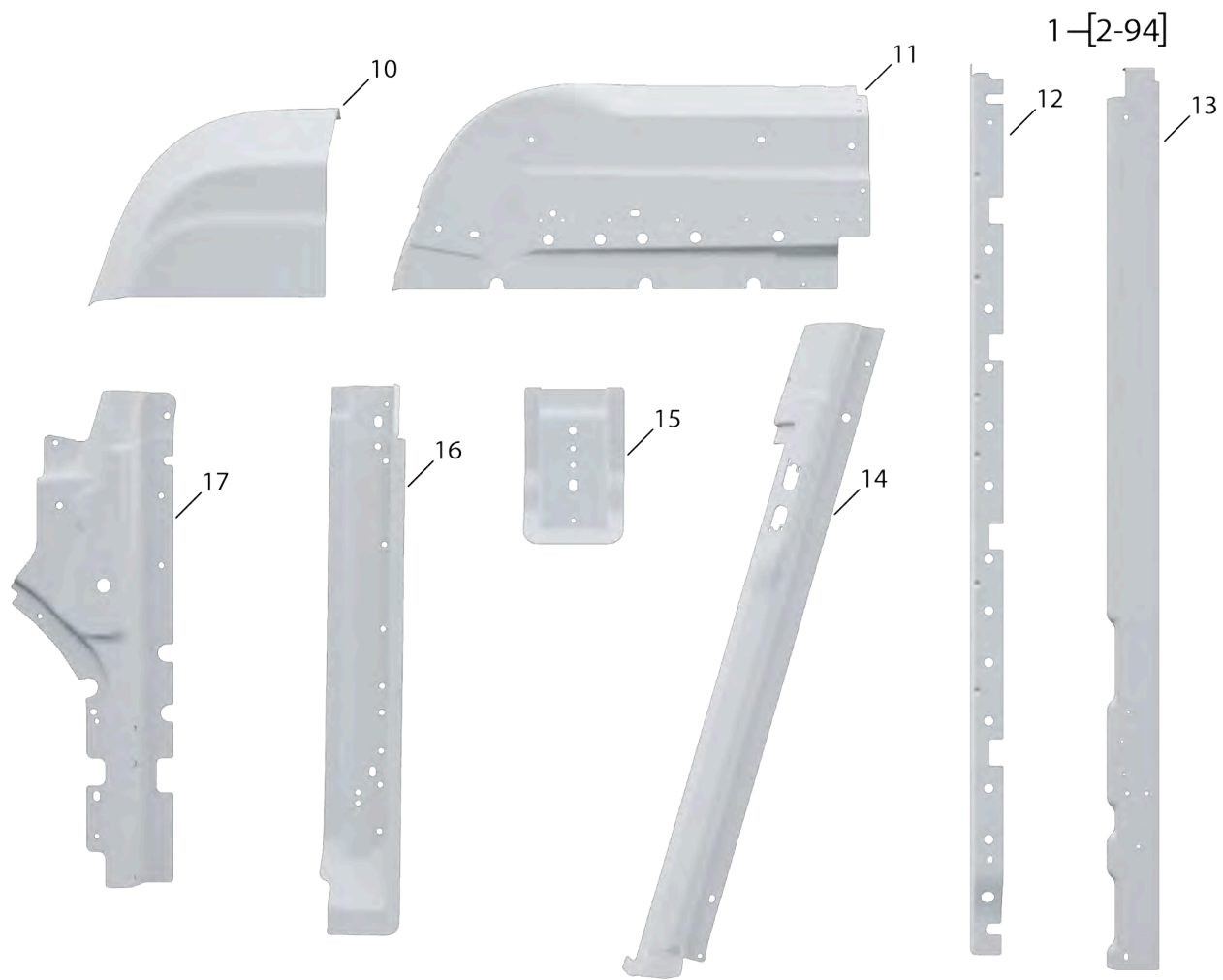
1-[2-94]



1-[2-94]



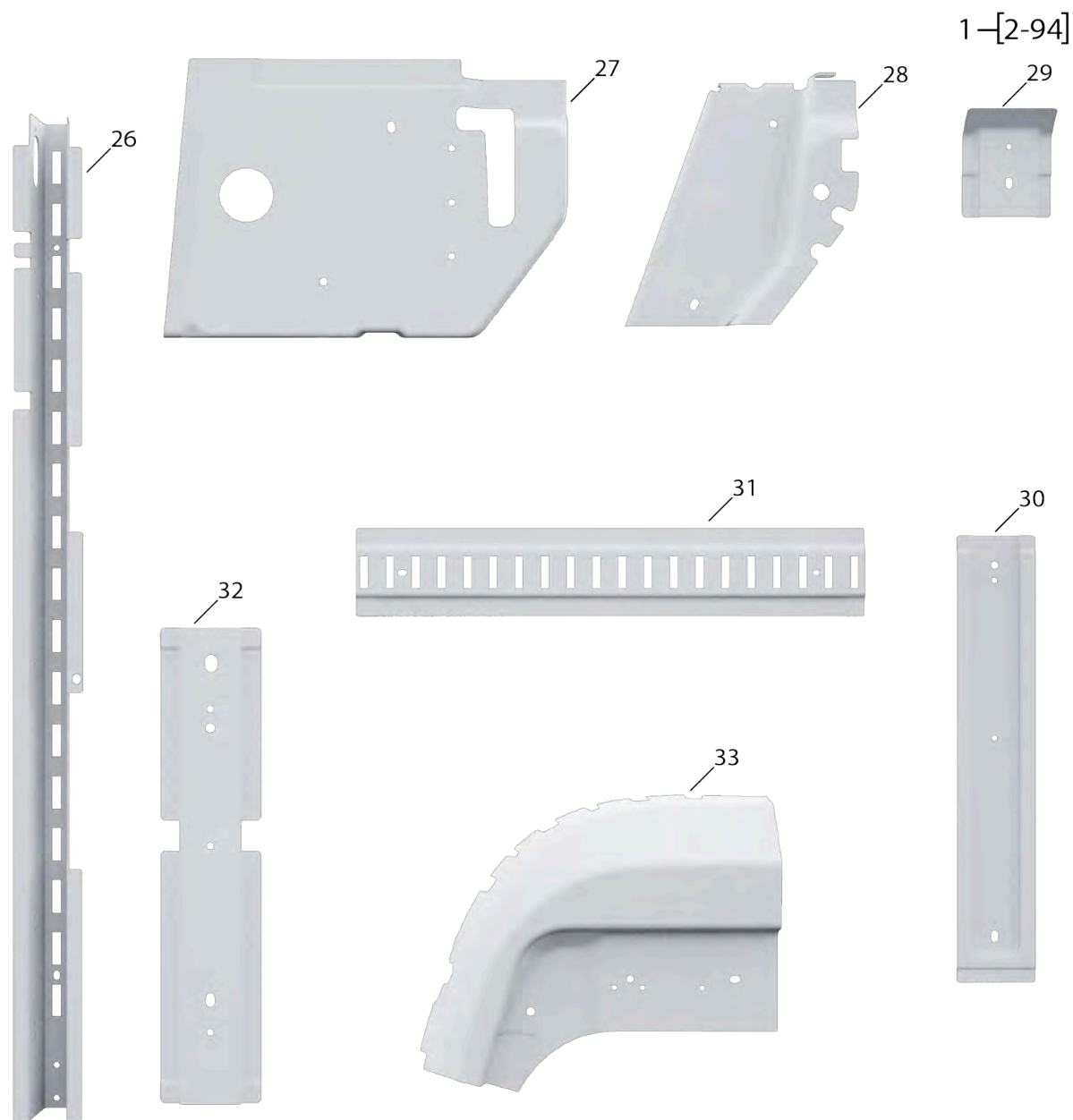
BODYSIDE,LH ASSY,AWD



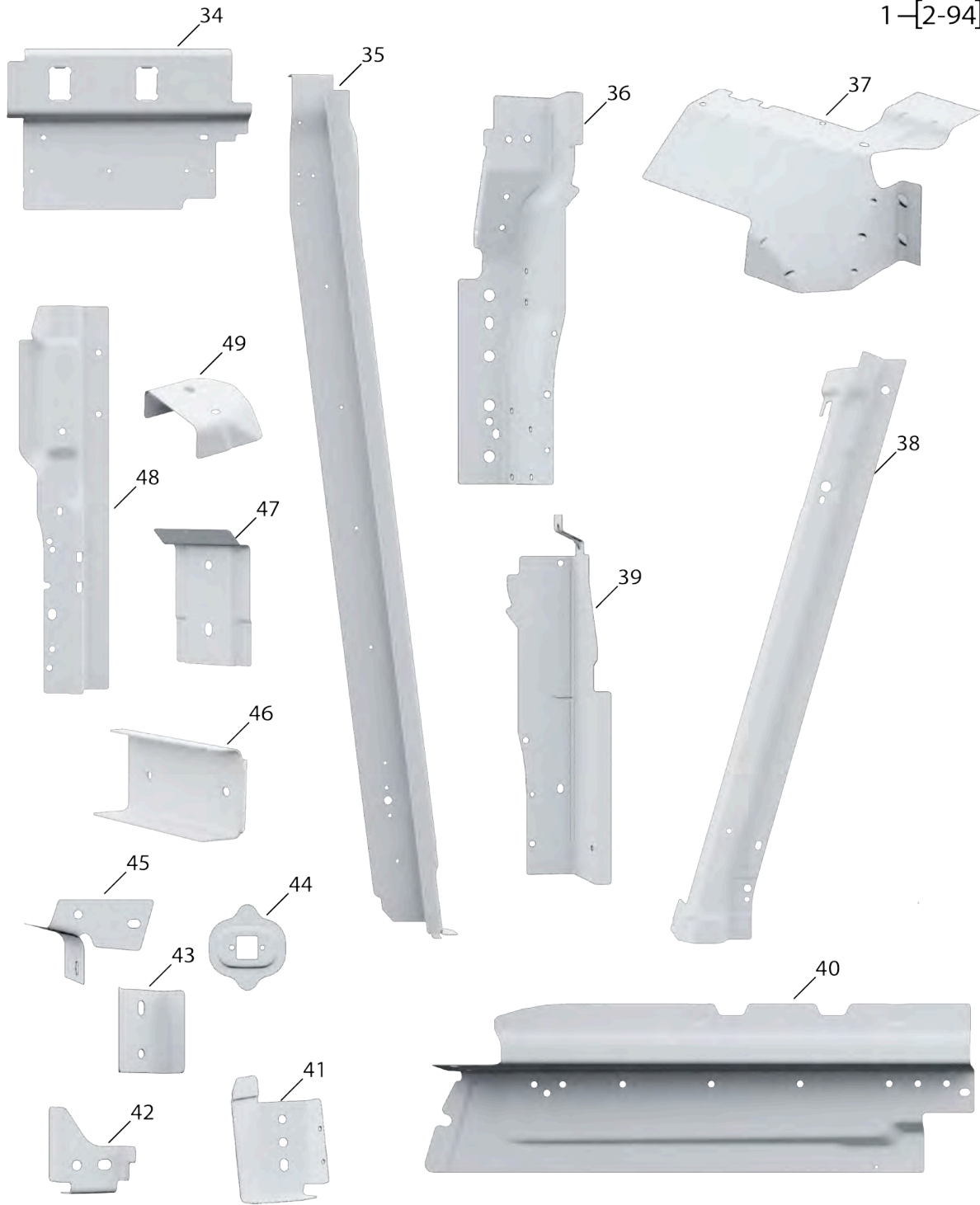
1-[2-94]



BODYSIDE, LH ASSY, AWD

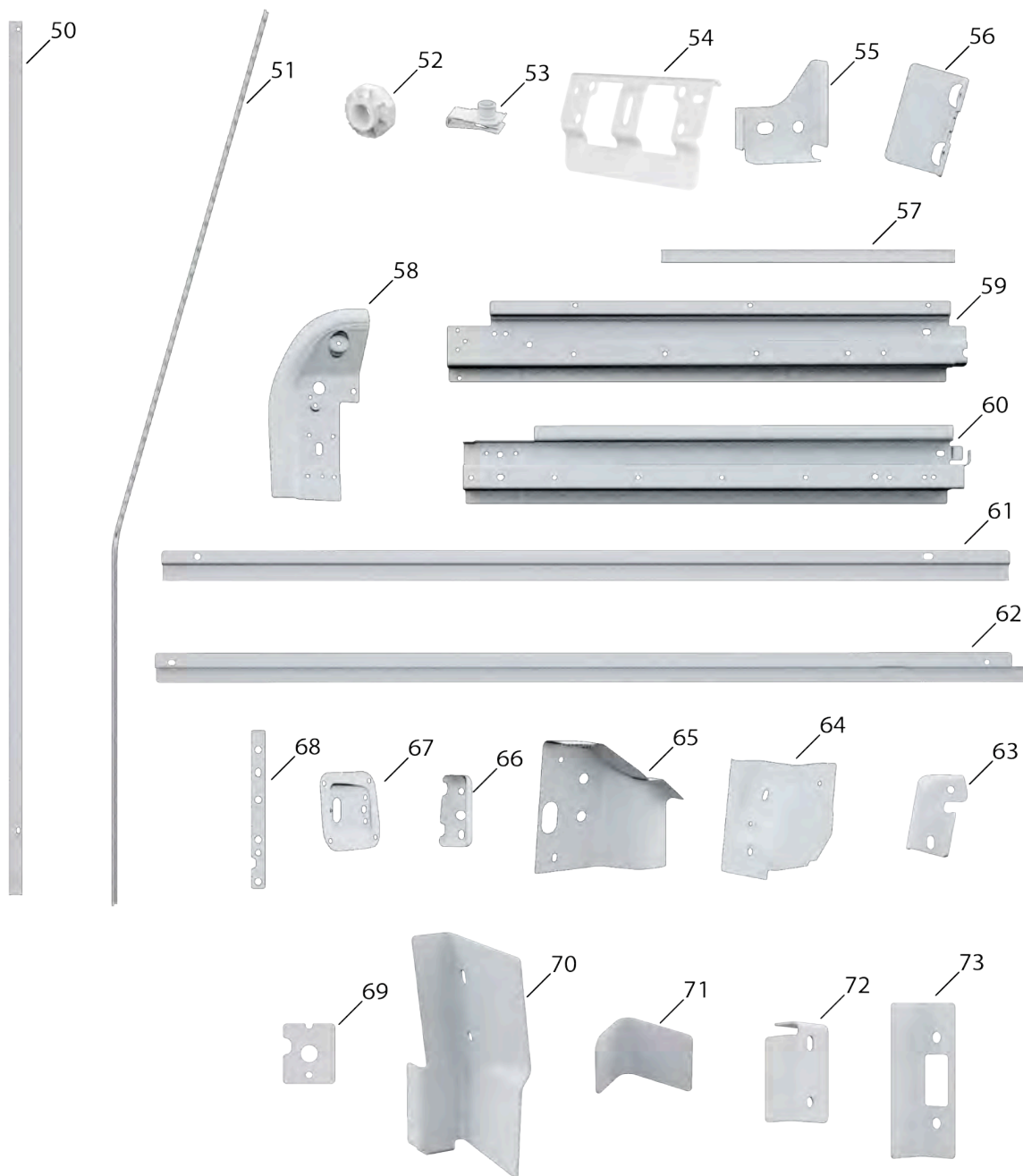


1-[2-94]



BODYSIDE, LH ASSY, AWD

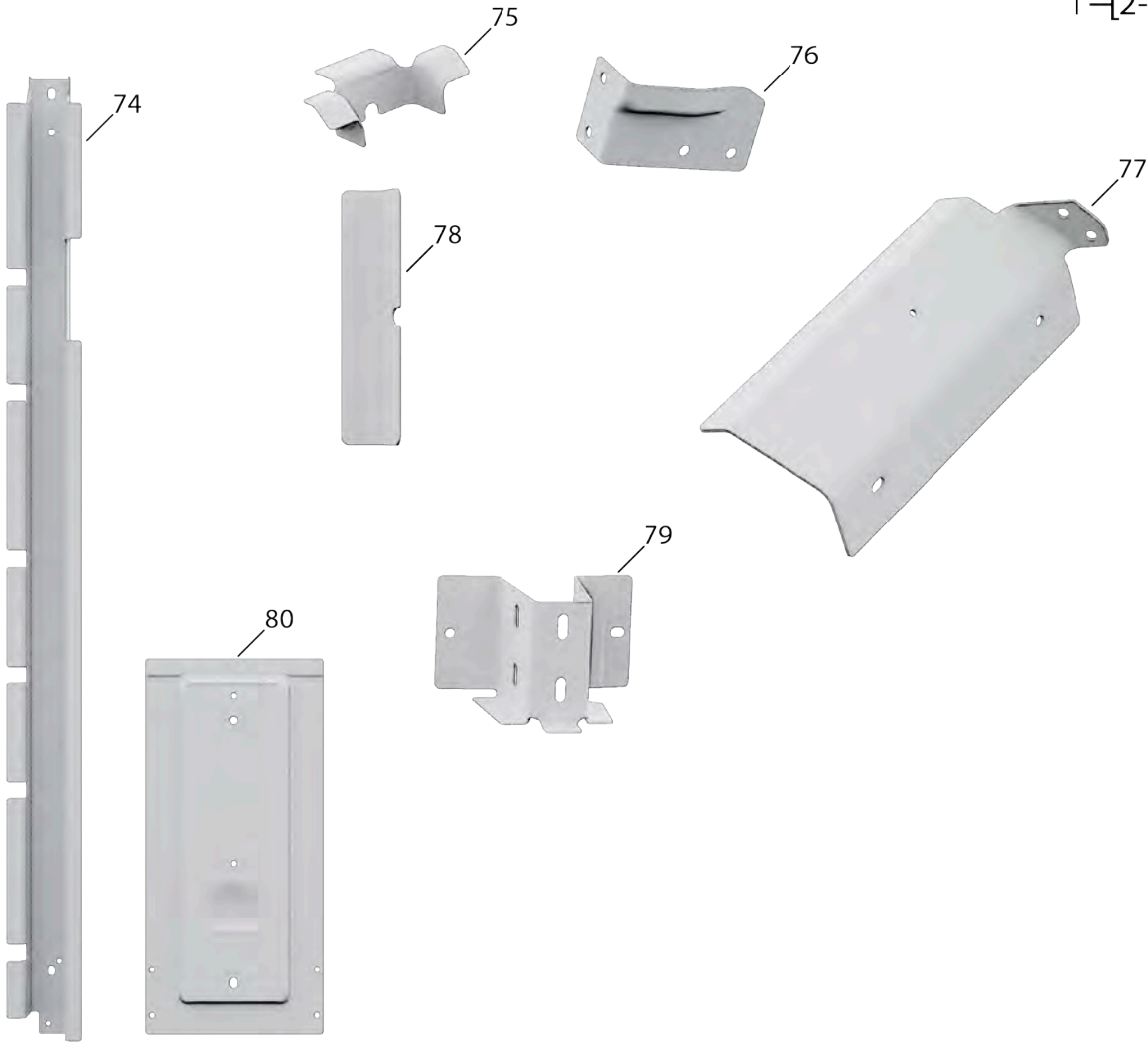
1-[2-94]



CAB SHELL

BODYSIDE,LH ASSY,AWD

1-[2-94]



BODYSIDE, LH ASSY, AWD

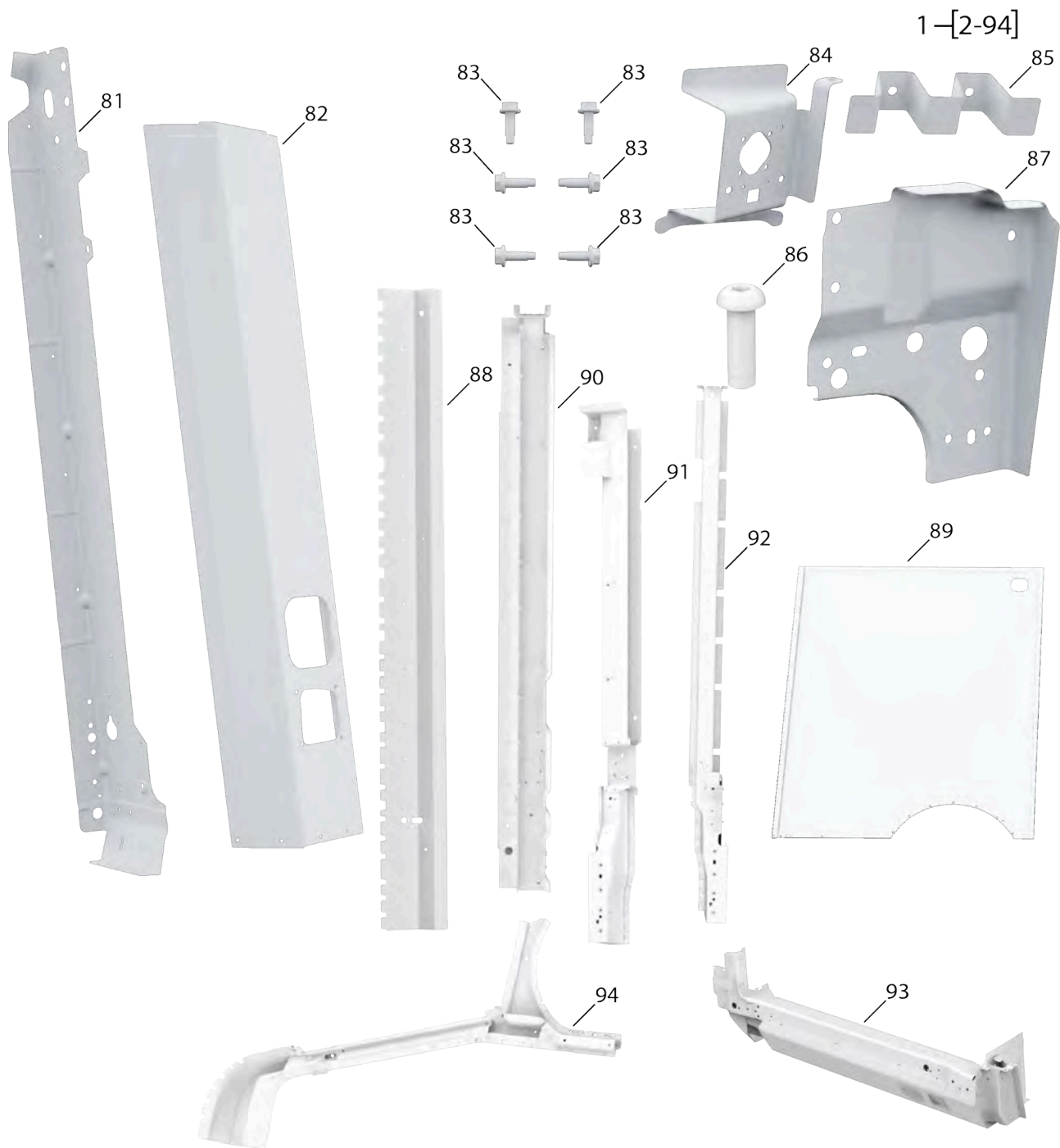


Table 240. BODYSIDE,LH ASSY,AWD

Item Number	Part Number	Description	Quantity	Primary Source
1	COS1000012946	BODYSIDE,LH ASSY	1	Oshkosh Defense
2	U02B4A	COR SPRT,RR,INR,UPR LH STPG	2	Oshkosh Defense
3	COS0000410172	A-PILLAR,INR,LH	2	Oshkosh Defense
4	COS0000410178	C PLR,LH RFMD	1	Oshkosh Defense
5	U02B6A	B PLR,LH RFMD	1	Oshkosh Defense
6	U02B3A	RAIL,OTR,TOP,LH, RFMD	1	Oshkosh Defense
7	COS0000410176	B PLR,FR,LH STPG	2	Oshkosh Defense
8	U02B5A	JT,COR,INR,FR,LH STPG	1	Oshkosh Defense
9	U02B2A	PNL,INR FND,FR,LH S STPG	2	Oshkosh Defense
10	U02B7A	PNL,ROOF,FR,LH STPG	1	Oshkosh Defense
11	COS0000410185	PNL,UPR INR C SPRT, FR,LH STPG	1	Oshkosh Defense
12	COS0000410183	B PLR,SPRT,UPR,FR, LH	2	Oshkosh Defense
13	COS0000410184	B PLR,SPRT,UPR,RR, LH	2	Oshkosh Defense
14	COS0000410191	A PLR,OTR,LH STPG	2	Oshkosh Defense
15	U029JA	CHAN,HAT, ROOF-PARTITION WALL	2	Oshkosh Defense
16	COS1000003382	PNL,WALL,CTR,UPR,LH STPG	1	Oshkosh Defense
17	COS1000003289	PNL,OTR DR,LWR,FR, LH STPG	2	Oshkosh Defense
18	COS1000012943	BODY SIDE,INR,LH ASSY	1	Oshkosh Defense
19	COS1000017388	RAIL,END CAP,LH STPG	2	Oshkosh Defense
20	U02BAA	PNL,ROOF,LH RFRM	1	Oshkosh Defense
21	U02BCA	PNL,WALL,CTR,LH STPG	1	Oshkosh Defense
22	U02BBA	BRKT BKPR	1	Oshkosh Defense
23	U02B8A	B PLR,SPRT STPG	1	Oshkosh Defense
24	COS1000013430	PNL,OTR FND,FR,LH STPG	2	Oshkosh Defense
25	U02B9A	COR,WALL,RR,UPR,LH STPG	1	Oshkosh Defense
26	COS1000019328	D PLR,LH RFMD	1	Oshkosh Defense
27	U02BDA	CLOSE OUT,LH STPG	2	Oshkosh Defense
28	U02BEA	OUTRIGGER,RR LH STPG	3	Oshkosh Defense
29	U029WA	BRKT,PLR STPG	2	Oshkosh Defense
30	U02BGA	VERT COL,BOT,FR,LH	1	Oshkosh Defense
31	U029SA	TRACK,CARGO,RR RFMD	4	Oshkosh Defense
32	U029UA	VERT COL,UPR,FR,LH STPG	7	Oshkosh Defense
33	U02BFA	PNL,UPR OTR C SPRT, FR,LH STPG	2	Oshkosh Defense
34	U02BNA	REINF,UPR MID,LH BKPR	1	Oshkosh Defense
35	U02BLA	REINF,INR COR,RR LH STPG	2	Oshkosh Defense
36	COS1000038184	BRKT,C PLR,LWR,RR, LH STPG	2	Oshkosh Defense
37	U02BRA	SPRT,RR UPR,HDR,LH STPG	2	Oshkosh Defense
38	U02BQA	PNL,DOOR RING UPR, FR,LH STPG	2	Oshkosh Defense
39	COS1000038183	BRKT,C PLR,LWR,FR, LH STPG	2	Oshkosh Defense
40	U02BHA	PNL,UPR TOP TRCK SPRT,LH STPG	1	Oshkosh Defense
41	U02BTA	BRKT RR COR LWR REINF LH STPG	2	Oshkosh Defense
42	U02BUA	SPRT,TOP TRACK,LH BKPR	1	Oshkosh Defense
43	U02BVA	BRKT,PNL SPRT,LH BKPR	1	Oshkosh Defense
44	U02A7A	BRKT,CAMERA MT,SIDE 2PC STPG	1	Oshkosh Defense
45	U02BSA	BRKT,FR HDR,UPR,LH STPG	1	Oshkosh Defense
46	U02BMA	OB RR XMBR BHD LH BKPR	2	Oshkosh Defense
47	U02BKA	BRKT,FR UPR SPRT,LH STPG	1	Oshkosh Defense
48	U02BPA	PNL,DOOR RING LWR, FR,LH STPG	2	Oshkosh Defense
49	U02BJA	CLOSE OUT,LH STPG	1	Oshkosh Defense
50	U02BYA	CHAN,SEAL,B PLR,LH STPG	2	Oshkosh Defense
51	U02BWA	CHAN,SEAL,A PLR,LH STPG	2	Oshkosh Defense
52	U02CNA	NUT,HEX,PPE M6-1.0 C10 ZN	2	Oshkosh Defense
53	4129654014	NUT,SELF-LOCKING, CLINCH,M8-1.25 0.8-4.5 NS MB	1	Oshkosh Defense
54	COS1000046425	REINF,MIRROR,MT,LH BKPR	1	Oshkosh Defense
55	U02BZA	SPRT,TOP TRACK,FR, LH BKPR	1	Oshkosh Defense
56	COS1000049752	BRKT,UPR IP BEAM MT,RH BKPR	2	Oshkosh Defense
57	U02BXA	CHAN,SEAL,UPR,LH ST STPG	1	Oshkosh Defense
58	U02C2A	PATCH,RR,UPR,LH STPG	1	Oshkosh Defense

Table 240. BODYSIDE,LH ASSY,AWD (continued)

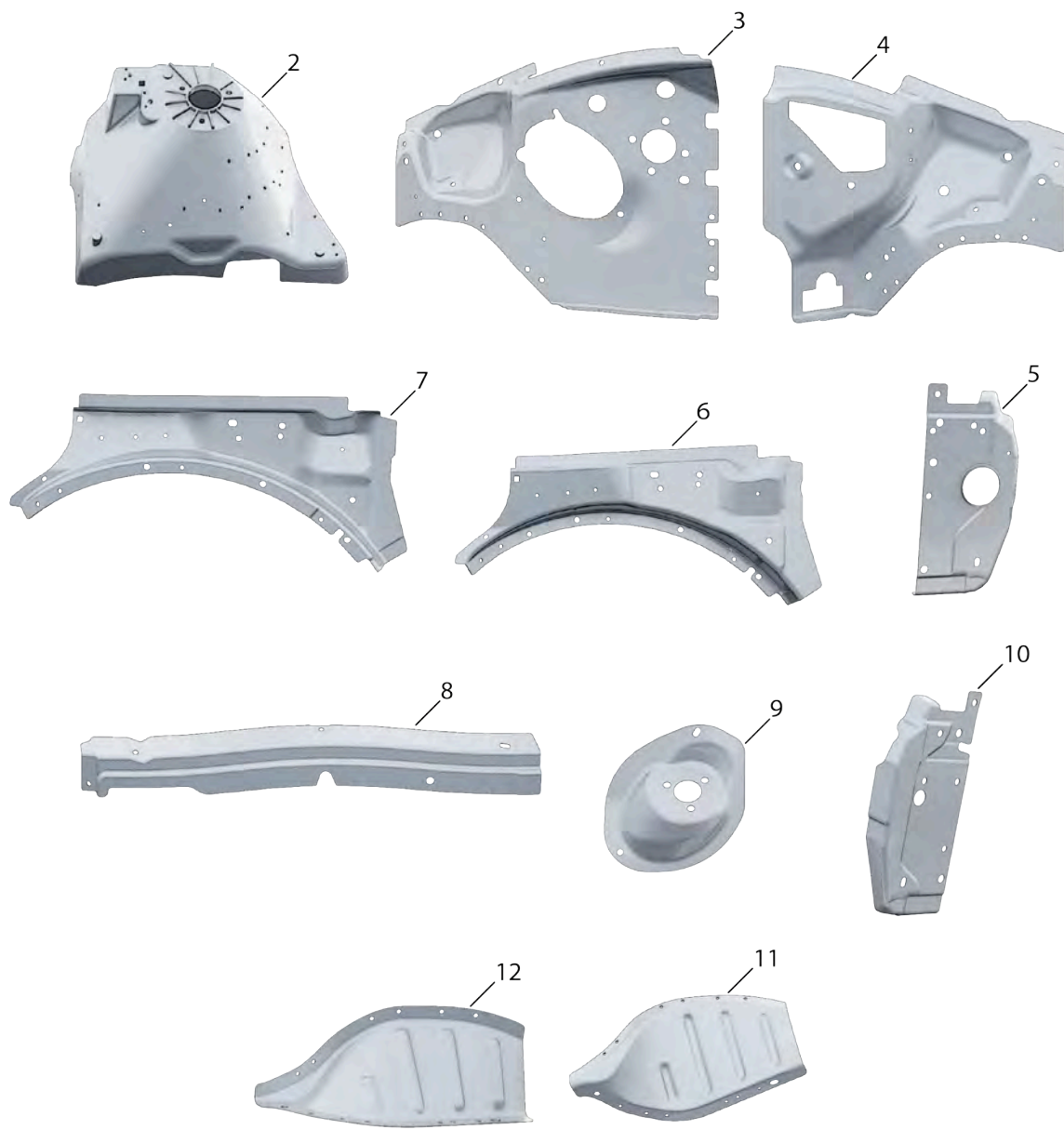
Item Number	Part Number	Description	Quantity	Primary Source
59	COS1000051959	BRKT,SIDE RAIL SPRT,FR,LH STPG	1	Oshkosh Defense
60	COS1000051961	BRKT,SIDE RAIL SPRT,RR,LH STPG	1	Oshkosh Defense
61	U02C4A	STIF BKPR	1	Oshkosh Defense
62	U02C9A	BRKT,BS TO OTR PNL LH STPG	1	Oshkosh Defense
63	U02C5A	BHD,STPG	6	Oshkosh Defense
64	U02C1A	PNL,RR PATCH,LH STPG	2	Oshkosh Defense
65	U02C3A	BRKT,INR,UPR,LH RR STPG	2	Oshkosh Defense
66	U02C0A	END CAP,C PLR,LWR, LH STPG	2	Oshkosh Defense
67	COS1000054062	BRKT,RADAR MT,RR,LH STPG	2	Oshkosh Defense
68	COS1000058581	REINF PLATE,FLR BRKT BLKG	2	Oshkosh Defense
69	COS1000061237	PLATE,TAPPING B PLR BLKG	6	Oshkosh Defense
70	U02C6A	REINF EXT,RR INR COR,LH BKPR	3	Oshkosh Defense
71	U02C8A	DOOR SEAL BKPR	2	Oshkosh Defense
72	U02C7A	BHD B PLR,LH BKPR	2	Oshkosh Defense
73	COS1000098629	BRKT,B PLR	2	Oshkosh Defense
74	COS1000109863	C PLR,VERT SPRT,LH STPG	2	Oshkosh Defense
75	U02CBA	BRKT,C PLR SPRT,UPR LH STPG	2	Oshkosh Defense
76	COS1000114757	BRKT,B PLR REINF,LH STPG	1	Oshkosh Defense
77	U02CCA	BRKT,FLR SPRT,LH STPG	2	Oshkosh Defense
78	U02CAA	REINF,C PLR,LH STPG	4	Oshkosh Defense
79	U02ARA	D PLR E CART FRONT BRKT,RH	1	Oshkosh Defense
80	U02AQA	PNL,VERT COL LWR, RR,LH,STPG	1	Oshkosh Defense
81	U02CEA	PNL,INR,RR,LH STPG	2	Oshkosh Defense
82	U02CDA	PNL,WALL,COR,RR,LH RFMD	2	Oshkosh Defense
83	COS1000139506	D PLR REINF BOLT RH ASSY	1	Oshkosh Defense
84	D011R741	BRKT,CHARGE PORT,RR	2	Oshkosh Defense
85	COS1000150600	BRKT,SUPPORT,LH	1	Oshkosh Defense
86	U02RBA	SCREW,CAP,SOCKET HEAD,M8-1.25X25 C10.9 MB	1	Oshkosh Defense
87	U02CFA	PATCH,RR UPR HDR,LH STPG	2	Oshkosh Defense
88	U02CGA	EXTRN,B PLR,LH,RFMD	1	Oshkosh Defense
89	U02CHA	PNL,WALL,RR,LH,STPG	1	Oshkosh Defense
90	U02CJA	B PLR,LH ASSY	1	Oshkosh Defense
91	U02B1A	C PLR,RH ASSY	1	Oshkosh Defense
92	U02CKA	C PLR,LWR,LH ASSY	1	Oshkosh Defense
93	U02CMA	D PLR,LH ASSY	1	Oshkosh Defense
94	U02CLA	A PLR,HPLR ,LH ASSY	1	Oshkosh Defense

UNDERBODY ASSY, AWD

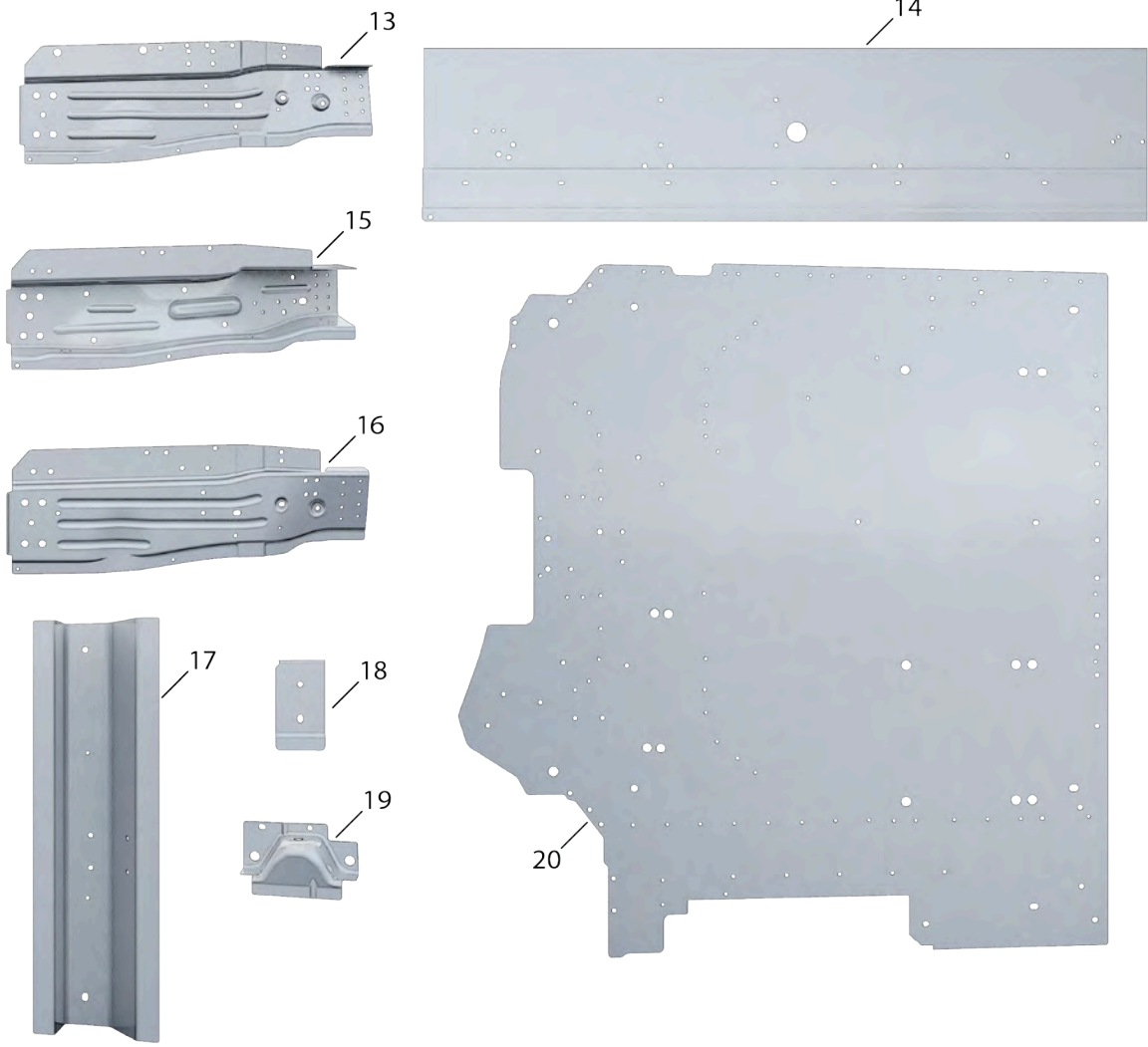


UNDERBODY ASSY,AWD

1-[2-151]

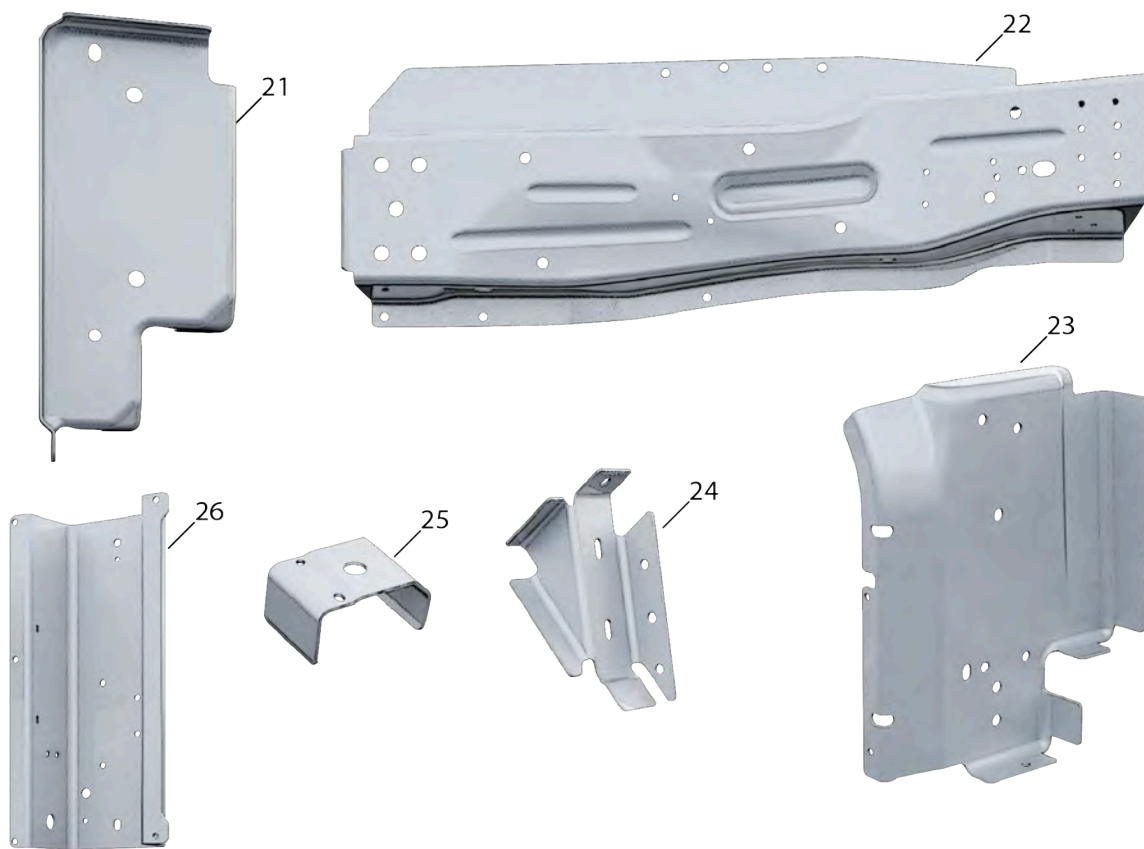


1-[2-151]

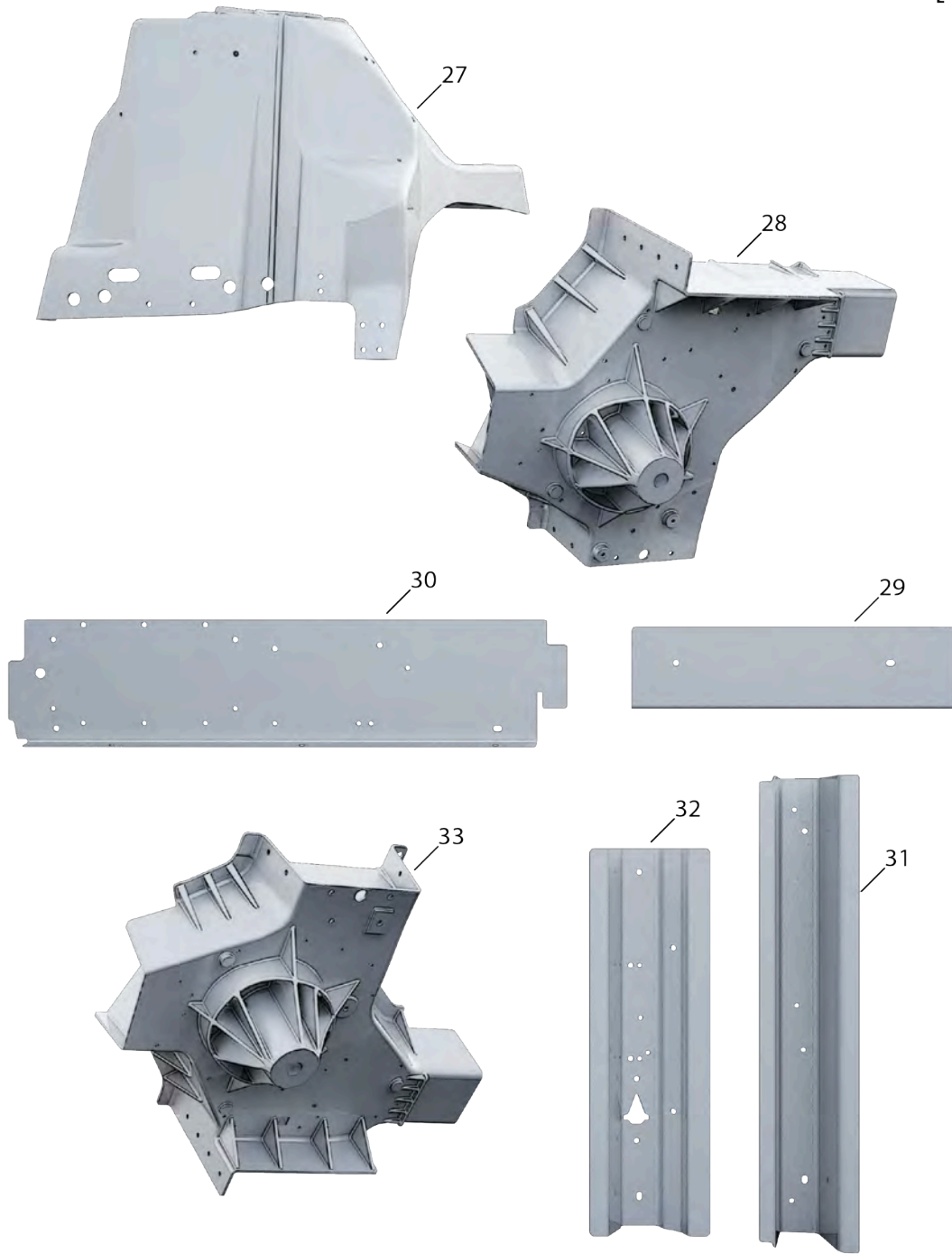


UNDERBODY ASSY,AWD

1-[2-151]

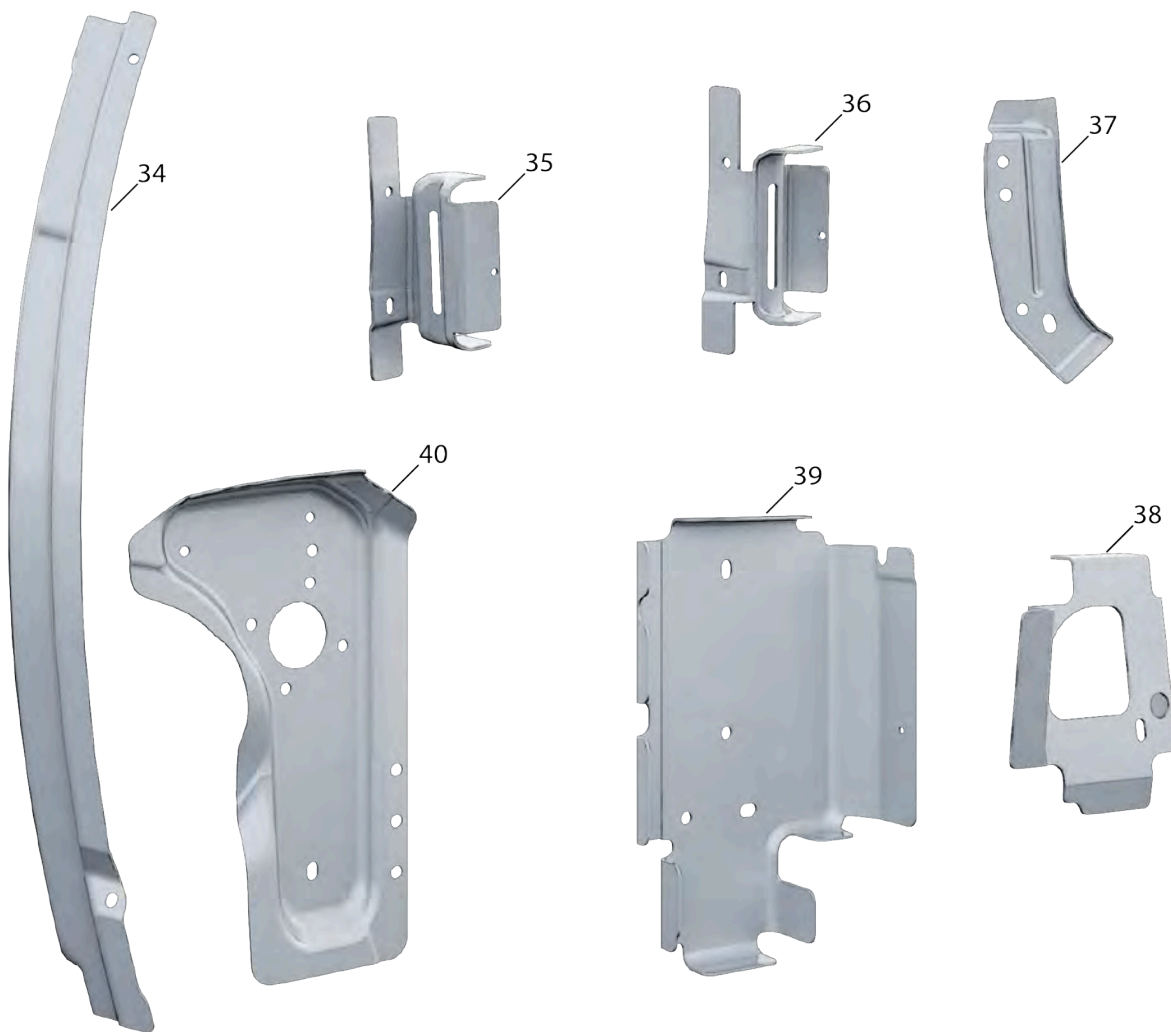


1-[2-151]

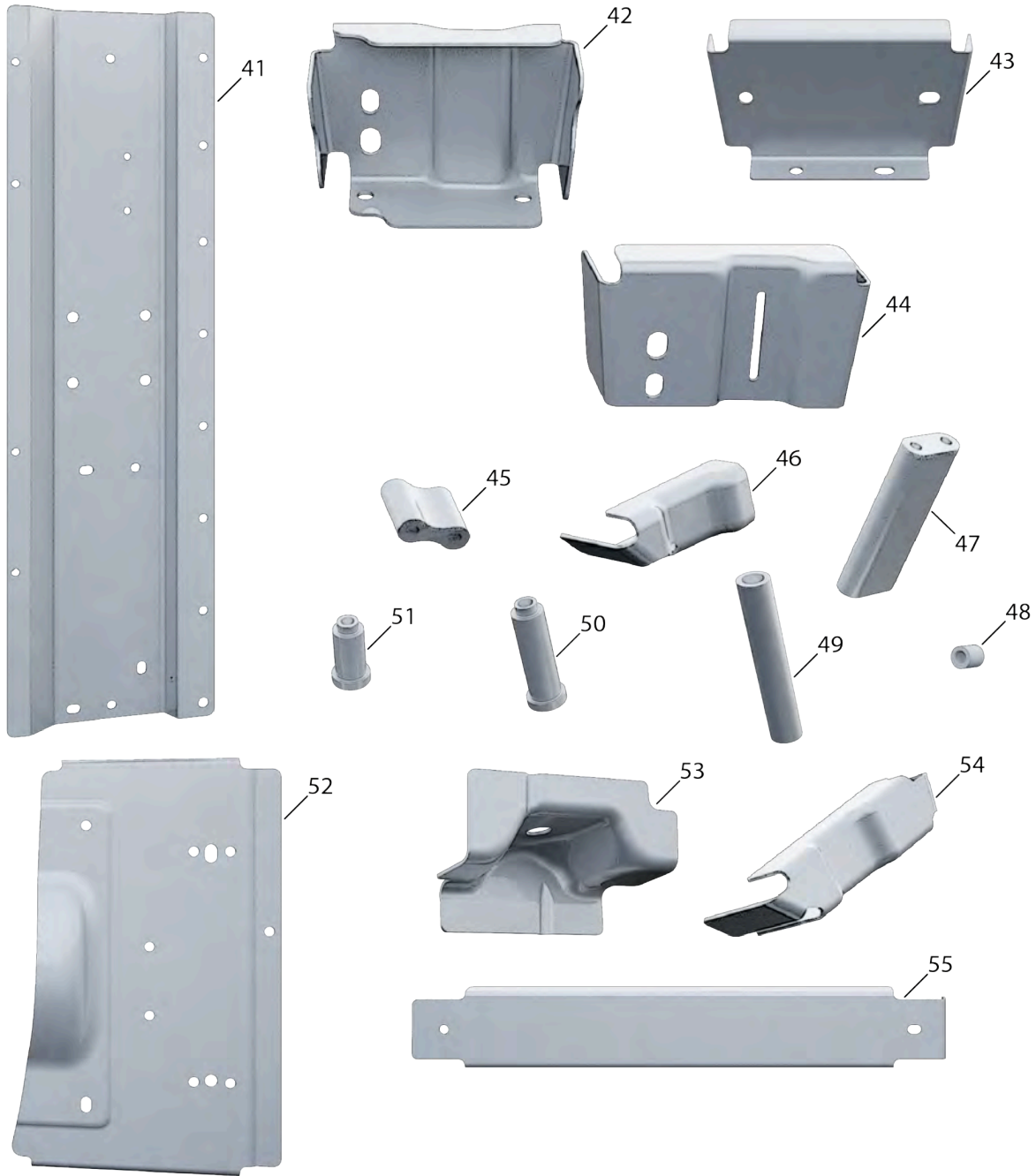


UNDERBODY ASSY,AWD

1-[2-151]

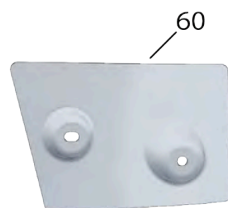
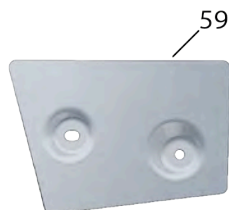


1-[2-151]



UNDERBODY ASSY,AWD

1-[2-151]

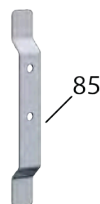


1-[2-151]



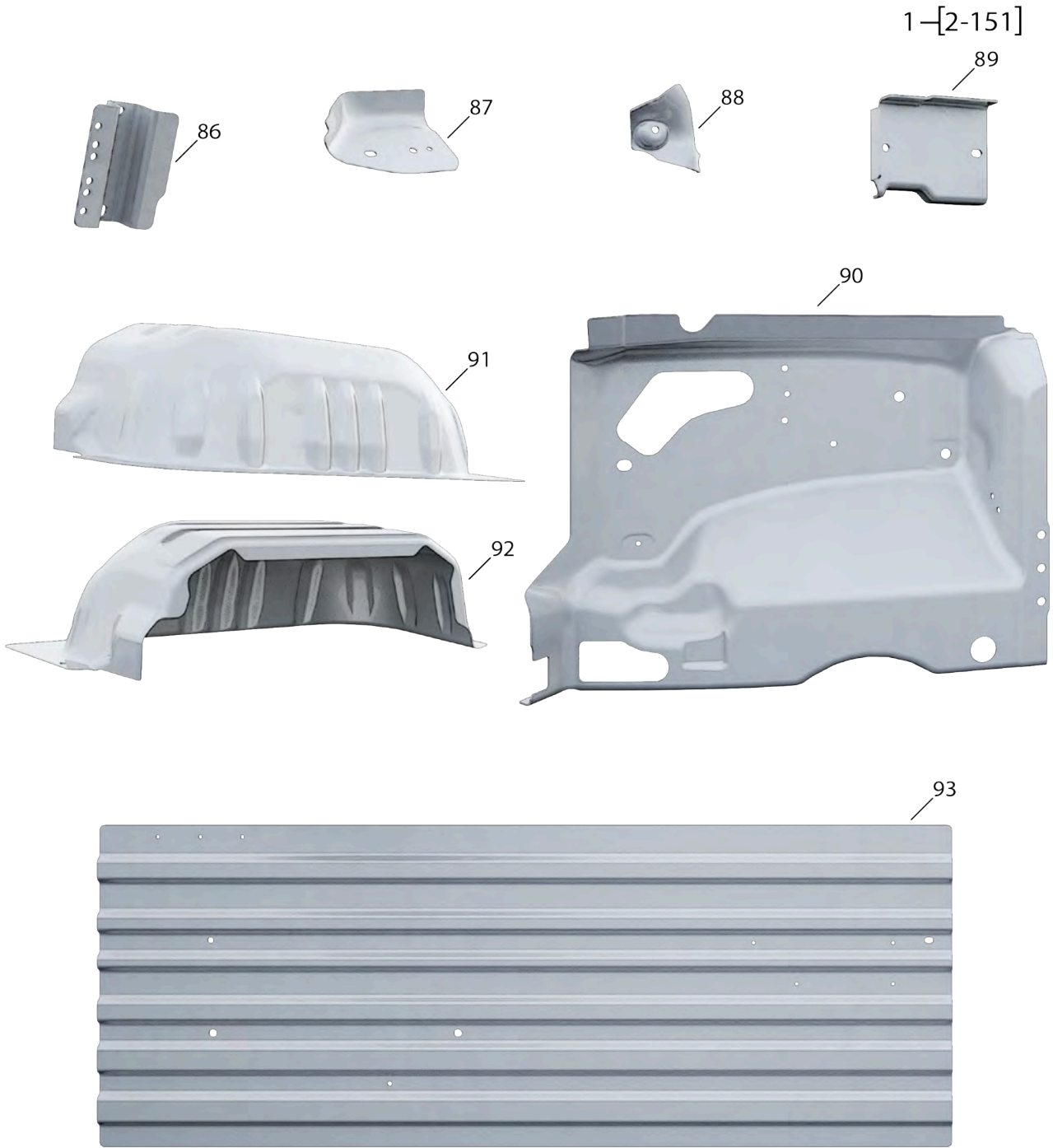
UNDERBODY ASSY,AWD

1-[2-151]



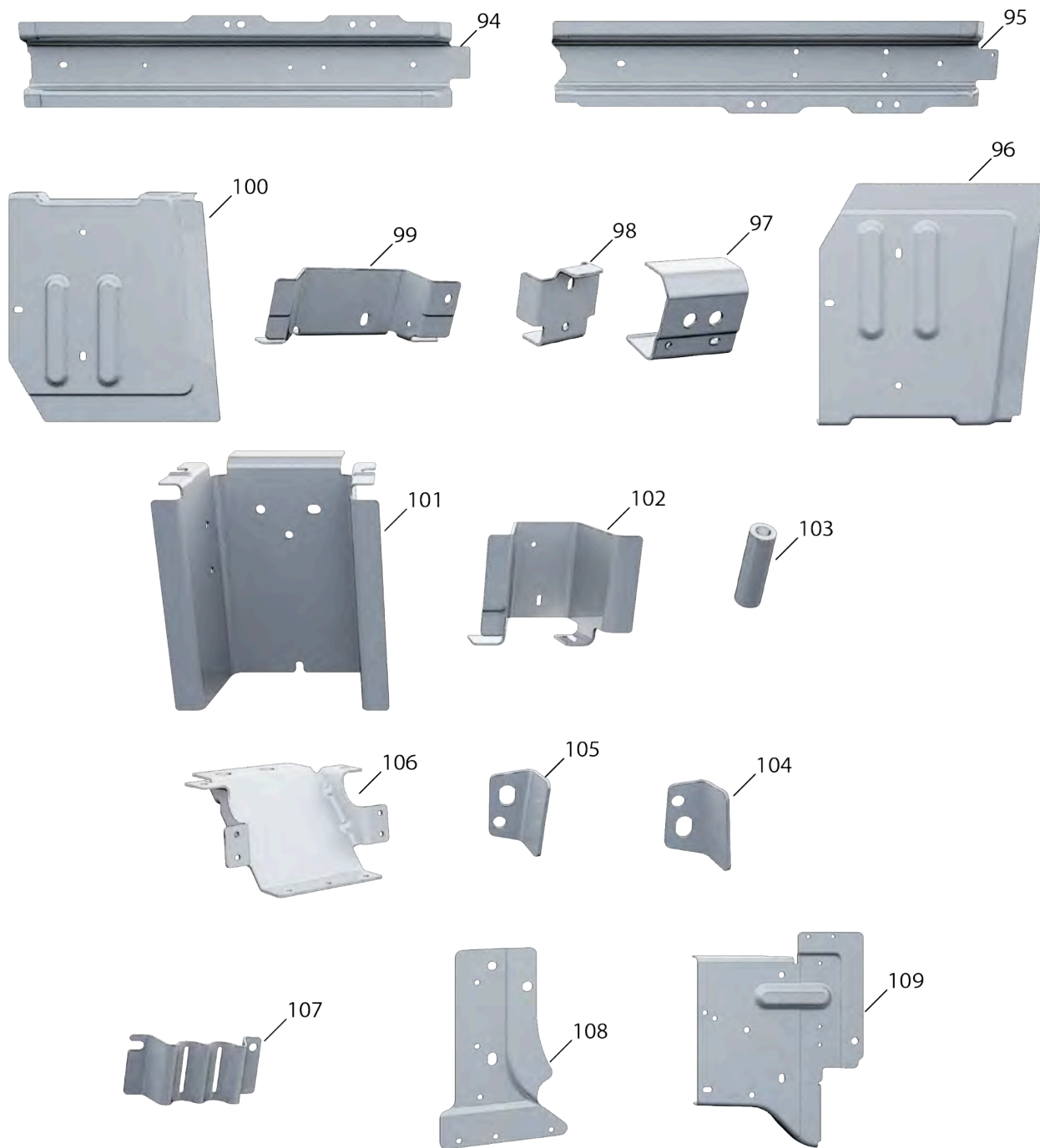
CAB SHELL

UNDERBODY ASSY,AWD



UNDERBODY ASSY,AWD

1-[2-151]



1-[2-151]

110



115



114



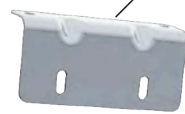
113



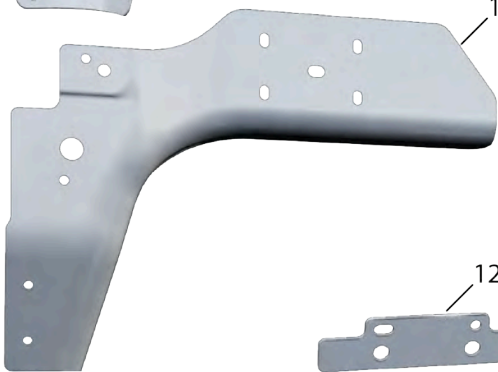
112



111



116



117



118



120



119



UNDERBODY ASSY,AWD

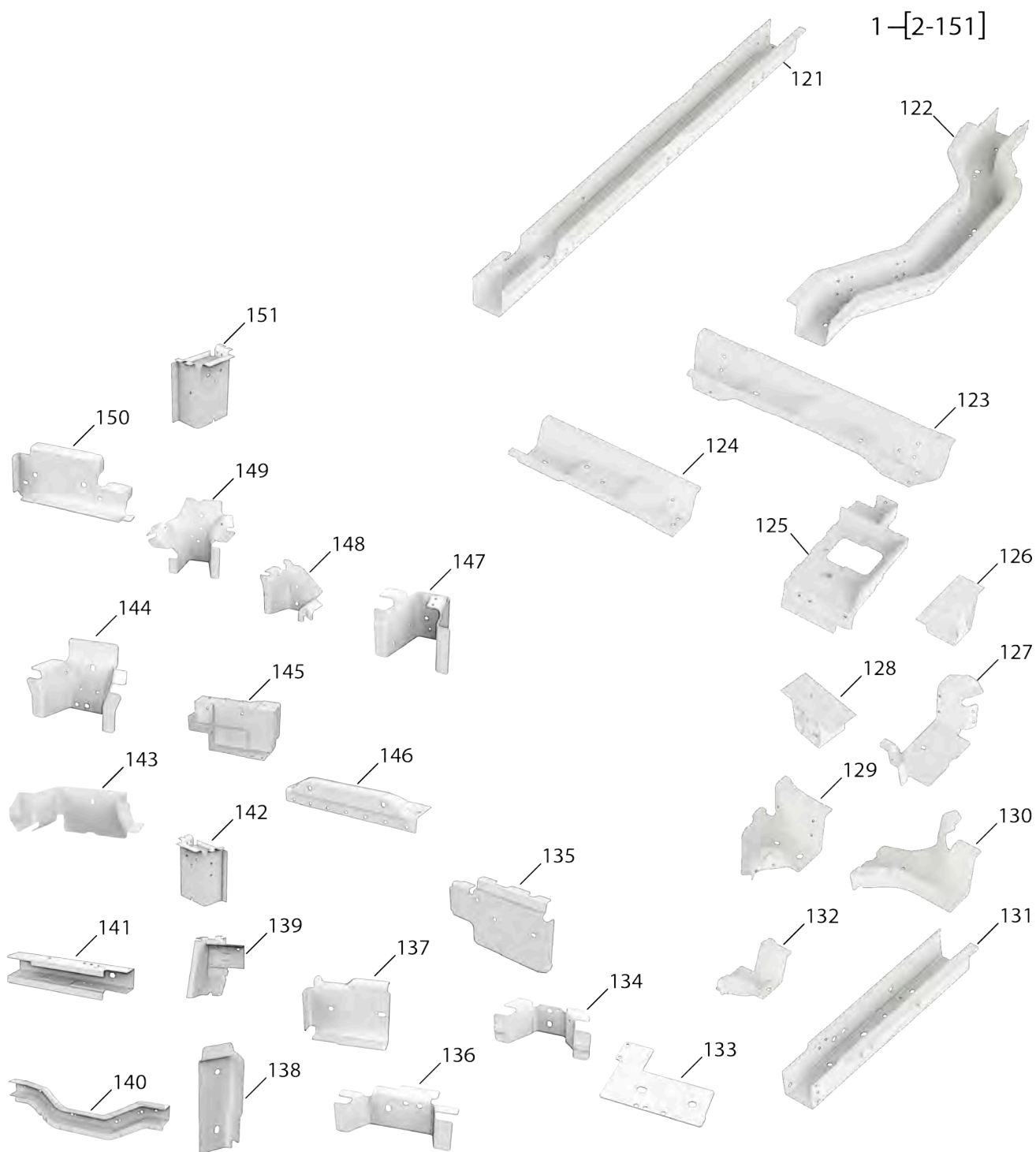


Table 241. UNDERBODY ASSY,AWD

Item Number	Part Number	Description	Quantity	Primary Source
1	COS1000091831	UNDERBODY ASSY	1	Oshkosh Defense
2	U02CVA	TURRET,UPR,LH,CSTG	1	Oshkosh Defense
3	COS0000410115	PNL,FIREWALL,RH STPG	1	Oshkosh Defense
4	COS0000410116	PNL,FIREWALL,LH STPG	1	Oshkosh Defense
5	COS0000410222	PNL,DOOR RING,FR, INR,RH STPG	1	Oshkosh Defense
6	COS0000410109	PNL,INR FND,UPR,FR, STPG,RH	1	Oshkosh Defense
7	COS0000410112	PNL,INR FND,UPR,FR, STPG,LH	1	Oshkosh Defense
8	COS0000410118	PNL,FIREWALL, TOP	1	Oshkosh Defense
9	COS1000003280	PNL,FIREWALL,STRG MT STPG	1	Oshkosh Defense
10	COS0000410187	PNL,DOOR RING,FR, INR,LH	1	Oshkosh Defense
11	U02CWA	PNL,WHL WELL,INR,LH STPG	1	Oshkosh Defense
12	U02CXA	PNL,WHL WELL,INR,RH STPG	1	Oshkosh Defense
13	COS1000003409	FRAME,LWR,FR,OTR,RH STPG	1	Oshkosh Defense
14	COS1000003334	STEP,FR,MID RFMD	1	Oshkosh Defense
15	COS1000003402	FRAME,LWR,FR,INR,LH STPG	1	Oshkosh Defense
16	COS1000003403	FRAME,LWR,FR,OTR,LH STPG	1	Oshkosh Defense
17	COS1000003356	RAIL,4TH XMBR RFMD	1	Oshkosh Defense
18	U02D0A	EXT,FLOOR STEP COVER,RH BKPR	1	Oshkosh Defense
19	U02CZA	PT MT,UPR,FR,RH STPG	1	Oshkosh Defense
20	U02CYA	FLOOR,FRONT	1	Oshkosh Defense
21	U02D1A	STEPS,ENDCAP,RR LH STPG	2	Oshkosh Defense
22	COS1000014870	FRAME,LWR,FR,INR,RH STPG	1	Oshkosh Defense
23	COS1000011789	STEPS,ENDCAP,FR LH STPG	1	Oshkosh Defense
24	COS1000014760	GUSSET,B PLR,SPRT STPG	1	Oshkosh Defense
25	COS1000013149	BRKT,FR SEAT REINF BKPR	1	Oshkosh Defense
26	COS1000012539	XMBR,FR,CTR BKPR	1	Oshkosh Defense
27	U02D2A	TURRET,UPR,RH,CSTG	1	Oshkosh Defense
28	U02D5A	TRQ BOX,LH,CSTG	1	Oshkosh Defense
29	COS1000020412	SIDE STEP PLATE COVER LH	1	Oshkosh Defense
30	U02D4A	BRKT,L BKPR	1	Oshkosh Defense
31	COS1000019722	RAIL,5TH XMBR RFMD	1	Oshkosh Defense
32	COS1000020143	RAIL,2ND XMBR BKPR	1	Oshkosh Defense
33	U02D3A	TRQ BOX,RH,CSTG	1	Oshkosh Defense
34	COS1000025619	PNL,FIREWALL, TOP STPG	1	Oshkosh Defense
35	COS1000020977	RAIL,FR SLV MTG,RH STPG	1	Oshkosh Defense
36	COS1000020978	FR RAIL,SLV MTG,LH STPG	1	Oshkosh Defense
37	COS1000023573	BRKT,ACC PEDAL STPG	1	Oshkosh Defense
38	U02D6A	BRKT,B PLR REINF LH STPG	1	Oshkosh Defense
39	U02D8A	BRKT,STEP CAP REINF LH,STPG	1	Oshkosh Defense
40	U02D7A	PNL,FIREWALL,RH STPG	1	Oshkosh Defense
41	COS1000031264	XMBR,PTN BKPR	1	Oshkosh Defense
42	U02D9A	BRKT A,FR MAIL TRAY BNCLR STPG	1	Oshkosh Defense
43	U02DAA	XMBR BHD BKPR	4	Oshkosh Defense
44	COS1000042799	BRKT,FR MAIL TRAY B BNCLR STPG	1	Oshkosh Defense
45	COS1000042597	EXTRUSION,SLV,MAIL TRAY BNCLR	3	Oshkosh Defense
46	COS1000042598	BRKT,MAIL TRAY SPRT STPG	2	Oshkosh Defense
47	COS1000042798	EXTRUSION,SLV,FR MT BNCLR	1	Oshkosh Defense
48	COS1000044463	EXTRUSION,SLV,BRAKE	4	Oshkosh Defense
49	COS1000044455	EXTRUSION,SLV,RAIL	2	Oshkosh Defense
50	COS1000044822	SLEEVE,MNT,FRT,RH	1	Oshkosh Defense
51	COS1000044823	EXTRUSION,ENG,MT, RR,RH	1	Oshkosh Defense
52	COS1000045141	BRKT FR FLR CAT CONV STPG	1	Oshkosh Defense
53	U02DBA	BRKT,ENG,MT,LH STPG	1	Oshkosh Defense
54	COS1000042779	BRKT,MAIL, TRAY,SPRT	1	Oshkosh Defense
55	U02DCA	BRKT UND FR FLOOR BKPR	1	Oshkosh Defense
56	U02DDA	FLOOR,MID STPG	1	Oshkosh Defense
57	COS1000045202	EXTRUSION,SLV,ENG	2	Oshkosh Defense
58	COS1000045781	EXTRUSION,SLV,NUT M8X24.4	2	Oshkosh Defense

Table 241. UNDERBODY ASSY,AWD (continued)

Item Number	Part Number	Description	Quantity	Primary Source
59	U02DHA	REINF,FRAME,LWR,FR, OTR,LH STPG	1	Oshkosh Defense
60	U02DGA	REINF,FRAME,LWR,FR, OTR,RH STPG	1	Oshkosh Defense
61	U02DFA	BRKT,ENG MT 2,LH STPG	1	Oshkosh Defense
62	U02DEA	BRKT,ENG MT 2,LH STPG	1	Oshkosh Defense
63	COS1000046978	BRKT,2ND XMBR,SPRT, LH	1	Oshkosh Defense
64	U02DJA	REINF,TOP,FR,LWR, INR,RH STPG	1	Oshkosh Defense
65	U02DMA	REINF,BOT,FR,LWR, INR,LH STPG	1	Oshkosh Defense
66	U02DPA	REINF,BOT,FR,LWR, INR,RH STPG	1	Oshkosh Defense
67	U02DNA	PNL,FIREWALL, TOP STPG	1	Oshkosh Defense
68	U02DKA	REINF,BOT,FR,LWR, INR,RH STPG	1	Oshkosh Defense
69	U02DLA	REINF,TOP,FR,LWR, INR,LH STPG	1	Oshkosh Defense
70	U02DQA	REINF,TOP,FR,LWR INR,RH STPG	1	Oshkosh Defense
71	COS1000055429	PNL,FIREWALL, TOP STPG	1	Oshkosh Defense
72	U02DRA	REINF,TOP,FR,LWR, INR,LH STPG	1	Oshkosh Defense
73	COS1000056661	PLATE,PNL,INR FND BLKG	2	Oshkosh Defense
74	U02DTA	PLATE,ENG MT,FR	1	Oshkosh Defense
75	U02DUA	REINF,TOP,FR,LWR, INR,RH STPG	1	Oshkosh Defense
76	U02DSA	REINF,BOT,FR,LWR INR,LH STPG	1	Oshkosh Defense
77	COS1000057750	PNL,FIREWALL,RH STPG	1	Oshkosh Defense
78	U02DWA	UPR A PLR FR BHD BKPR	3	Oshkosh Defense
79	U02DVA	REINF,TOP,FR,LFR, INR,LH STPG	1	Oshkosh Defense
80	U02DXA	PLATE PLP RH STPG	1	Oshkosh Defense
81	U02E0A	PNL,FIREWALL,RH STPG	1	Oshkosh Defense
82	U02DZA	REINF,BOT,FR,LWR, FR,LH STPG	1	Oshkosh Defense
83	U02DYA	BRKT,L,FR,STEP, REINF,LH STPG	1	Oshkosh Defense
84	COS1000060596	FUEL,CSTR,SPRT,MTG, BRKT,BKPR	1	Oshkosh Defense
85	U02E1A	BRKT,BRAKE LINES,FW BKPR	1	Oshkosh Defense
86	U02E4A	A PLR,FLOOR,REINF BKPR	1	Oshkosh Defense
87	U02E2A	PNL,WH WELL,INR,RH STPG	1	Oshkosh Defense
88	U02E5A	PNL,FIREWALL,RH STPG	1	Oshkosh Defense
89	U02E3A	LWR A PLR RR BHD LH STPG	2	Oshkosh Defense
90	COS1000067240	PNL,FIREWALL,CTR	1	Oshkosh Defense
91	U02EBA	WHEEL HOUSE,RH STPG	1	Oshkosh Defense
92	U02ECA	WHEEL HOUSE,LH STPG	1	Oshkosh Defense
93	U02EAA	FLOOR,RR	1	Oshkosh Defense
94	COS1000102806	RAIL, LONG FR,RH STPG	1	Oshkosh Defense
95	COS1000102807	RAIL, LONG FR,LH STPG	1	Oshkosh Defense
96	U02EPA	PNL,FLR,AWD,RR,LH, OTR STPG	1	Oshkosh Defense
97	COS1000110148	REINF,SEAT,IB,RR STPG	1	Oshkosh Defense
98	U02EFA	BHD,RAIL,RR,STPG	1	Oshkosh Defense
99	COS1000103635	BRKT,3RD XMBR SPRT,LH STPG	1	Oshkosh Defense
100	U02EEA	PNL,FLOOR,RR,RH,OTR	1	Oshkosh Defense
101	U02ENA	SUPPROT,REAR	4	Oshkosh Defense
102	U02ELA	BRKT,5TH XMBR,LH STPG	1	Oshkosh Defense
103	COS1000120160	SLV,TRLR HITCH BRKT	2	Oshkosh Defense
104	COS1000135345	BRKT,COWL SPRT LH	1	Oshkosh Defense
105	COS1000135344	BRKT,COWL SPRT RH	1	Oshkosh Defense
106	U02ERA	BRKT,RCM MTG	1	Oshkosh Defense
107	COS1000132794	BRKT,RR BMPR ATCH	1	Oshkosh Defense
108	U02ESA	FLOOR EXT WH COVER AWD	1	Oshkosh Defense
109	COS1000150618	FLOOR,RR,FR,LH AWD	1	Oshkosh Defense
110	U02EQA	FLOOR,RR,LH,AWD	1	Oshkosh Defense
111	COS1000154481	FLOOR BRIDGE BRKT	1	Oshkosh Defense
112	D008D391	BRKT,IP BEAM MOUNT, LH	1	Oshkosh Defense
113	U02FBA	FLOOR,FR,RH	1	Oshkosh Defense
114	U02EUA	BRKT,C PLR,REINF, STPG	1	Oshkosh Defense
115	U02ETA	BRKT,C,PLR,REINF, RH,STPG	1	Oshkosh Defense
116	U02EVA	BRKT,C-PLR,REINF, LH,STPG	1	Oshkosh Defense

Table 241. UNDERBODY ASSY,AWD (continued)

Item Number	Part Number	Description	Quantity	Primary Source
117	U02EWA	BRKT,C,PLR,REINF, STPG	1	Oshkosh Defense
118	D010F618	BRKT,STDF,RH 432.5X85.7X39.5	1	Oshkosh Defense
119	D010H703	BRKT,STDF,LH 432.5X85.7X39.5	1	Oshkosh Defense
120	D008V328	PLATE,CLINCH	3	Oshkosh Defense
121	COS1000091263	RAIL EXT,FR,LH AWD STPG	1	Oshkosh Defense
122	U02EKA	BRKT,SUBFR MTG,AWD, LH STPG	1	Oshkosh Defense
123	U02E6A	SUBFR XMBR AWD,STPG	1	Oshkosh Defense
124	COS1000091267	BRKT,5TH XMBR AWD, STPG	1	Oshkosh Defense
125	U02EDA	RAIL,SUB,RR,LH,CSTG	1	Oshkosh Defense
126	U02EJA	EXTRUSION,MID SUBFR MTG,AWD,RH	2	Oshkosh Defense
127	U02E8A	BRKT,SPRT,AWD,RR,LH STPG	1	Oshkosh Defense
128	U02EHA	EXTRUSION,MID SUBFR MTG,AWD,RH	4	Oshkosh Defense
129	U02EMA	BRKT,XMBR SPRT,AWD, LH STPG	1	Oshkosh Defense
130	U02EGA	BRKT,5TH XMBR SPRT, AWD,LH STPG	1	Oshkosh Defense
131	U02E9A	RAIL,EXT AWD,RR,LH STPG	1	Oshkosh Defense
132	U02E7A	BRKT,5TH XMBR SPRT, AWD,LH STPG	1	Oshkosh Defense
133	U02EXA	FLOOR,FR,RH BLKG	1	Oshkosh Defense
134	U02EYA	BRKT,2ND XMBR,SPRT, RH	1	Oshkosh Defense
135	U02EZA	BRKT,STEP CAP REINF RH STPG	1	Oshkosh Defense
136	U02F0A	XMBR SPRT STPG	1	Oshkosh Defense
137	U02F1A	LWR A PLR RR BHD STPG	1	Oshkosh Defense
138	U02F2A	BRKT,L,FR,STEP, REINF,STPG	1	Oshkosh Defense
139	U02B0A	OUTRIGGER 1,RR LH ASSY	1	Oshkosh Defense
140	U02F3A	BRKT,SUBFR MTG,AWD, RH STPG	1	Oshkosh Defense
141	U02F4A	RAIL,EXT AWD,RR,RH STPG	1	Oshkosh Defense
142	U02F5A	SPRT RR,RH ASSY	1	Oshkosh Defense
143	U02F6A	BRKT,SPRT,AWD,RR, RH,STPG	1	Oshkosh Defense
144	U02F7A	5TH XMBR SPRT STPG	1	Oshkosh Defense
145	U02F8A	RAIL,AWD,RR,RH,CSTG	1	Oshkosh Defense
146	U02F9A	BRKT,DRV R SEAT MTG, RH STPG	1	Oshkosh Defense
147	U02FAA	BRKT,5TH XMBR,RH STPG	1	Oshkosh Defense
148	U02FCA	BRKT,XMBR SPRT,AWD, RH STPG	1	Oshkosh Defense
149	U02FDA	BRKT,5TH XMBR SPRT, AWD,RH,STPG	1	Oshkosh Defense
150	U02FEA	STEPS,ENDCAP,RR LH STPG ASM	1	Oshkosh Defense
151	U02FFA	SPRT,REAR,LH,ASSY	1	Oshkosh Defense

PAINT-TOUCH UP KIT

1-[2-4]

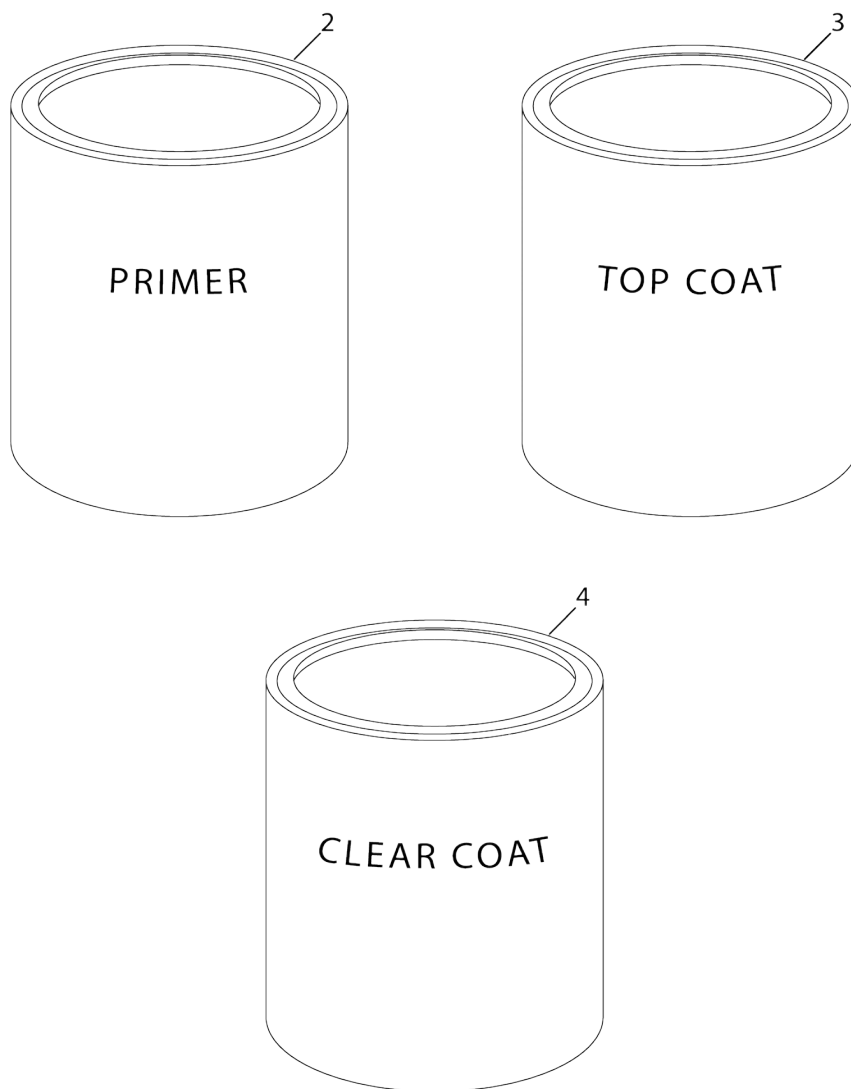


Table 242. PAINT-TOUCH UP KIT

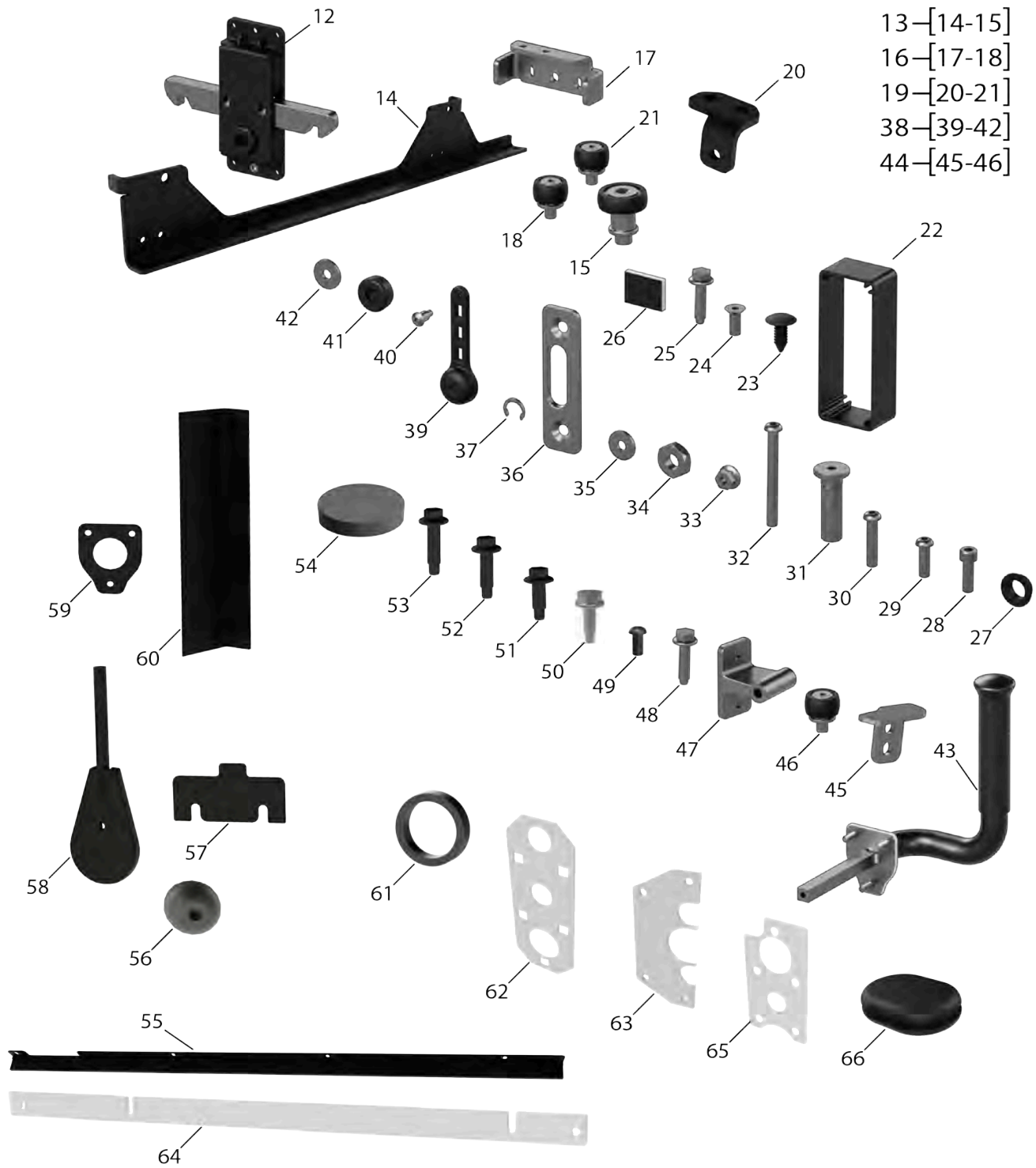
Item Number	Part Number	Description	Quantity	Primary Source
1	U02RSA	PAINT KIT, TOUCH UP, NGDV	1	Oshkosh Defense
2	U02T6A	CTG, PRIMER, 2 PART, NGDV	1	Oshkosh Defense
3	U02T7A	CTG, TOPCOAT, 3 PART, WHT, NGDV	1	Oshkosh Defense
4	U02T8A	CTG, CLEARCOAT, 3 PART, NGDV	1	Oshkosh Defense



DOOR,FR,RH



DOOR,FR,RH



DOORS AND HATCHES

Table 243. DOOR,FR,RH

Item Number	Part Number	Description	Quantity	Primary Source
1	U02KDA	SEAL,FR DOOR	1	Oshkosh Defense
2	U02K9A	SEAL, GLASS,FR,RH	1	Oshkosh Defense
3	U02JLA	GLASS,FIXED,DOOR,RH	1	Oshkosh Defense
4	U02JMA	GLASS,SLIDING,DOOR, RH	1	Oshkosh Defense
5	U02KQA	DOOR,BIW,FR,RH	1	Oshkosh Defense
6	U02JRA	REGULATOR,GEAR, DOOR,RH	1	Oshkosh Defense
7	U02KNA	PANEL,CLOSE OFF, DOOR,RH,ASSY	1	Oshkosh Defense
8	U02KPA	PANEL,INTR,DOOR,RH	1	Oshkosh Defense
9	U02JSA	HINGE,PLR,OVERSLAM, STOP	1	Oshkosh Defense
10	U02KEA	SEAL,BELT INR	1	Oshkosh Defense
11	U02KFA	SEAL,BELT OTR	1	Oshkosh Defense
12	U02KCA	LATCH,BAR,RH	1	Oshkosh Defense
13	U02JZA	BRKT,DOOR,MTG,UPPR, RH ASSY	1	Oshkosh Defense
14	U02K1A	BRKT,ROLLER, CURBSIDE,UPPR	1	Oshkosh Defense
15	U02K0A	BRG,SPL RLR,VERT, ASSY	2	Oshkosh Defense
16	U02K5A	RLR,LWR FR,RH,ASSY	1	Oshkosh Defense
17	U02K6A	BRKT,LWR FR RLR,RH	1	Oshkosh Defense
18	U02K3A	BRG,RLR 20.09X11.38 ASSY	1	Oshkosh Defense
19	U02K2A	BRKT,LAT RLR SUPPORT,ASSY	2	Oshkosh Defense
20	U02K4A	BRKT,LATERAL ROLLER SPRT	1	Oshkosh Defense
21	U02K3A	BRG,RLR 20.09X11.38 ASSY	1	Oshkosh Defense
22	U02GQA	SPCR,DOOR,HANDLE, INTERIOR	1	Oshkosh Defense
23	U0247A	PUSHPIN,BRB .31X.79X.874 NY	6	Oshkosh Defense
24	U02KLA	SCREW,CAP,SOCKET HEAD,M6-1.0X16 C10.9 MB	7	Oshkosh Defense
25	U02GOA	SCREW,CAP,HEXAGON HEAD,M6-1.0X40 C10.9 MB	4	Oshkosh Defense
26	U02JKA	TAPE,VINYL FOAM	4	Oshkosh Defense
27	U02JQA	BSHG,FLG,INTRLK,NY	6	Oshkosh Defense
28	U026WA	SCREW,CAP,SOCKET HEAD,M6-1.0X20 C12.9 MB	6	Oshkosh Defense
29	U02KHA	SCREW,CAP,SOCKET HEAD,M6-1.0X20 C10.9 MB	3	Oshkosh Defense
30	U02KJA	SCR,BTN,SOC,ND M6-1.00X16 C10.9 MB	9	Oshkosh Defense
31	U02JNA	PIN,DOOR,INTERLOCK	6	Oshkosh Defense
32	U02KKA	SCR,BTN,SOC,ND M6-1.00X20 C10.9 MB	1	Oshkosh Defense
33	U132EA	NUT,SELF-LOCKING, EXTENDED WASHER,HEXAGON, M6-1.0 C10 MB	3	Oshkosh Defense
34	U02KMA	NUT,JAM M12-1.75 C04 ZL	6	Oshkosh Defense
35	U4230A	WASHER,FLAT M6X18X1.6 MB	15	Oshkosh Defense
36	U02KBA	PLATE,RECEIVER, ALIGN	2	Oshkosh Defense
37	U02KAA	RING,EXT, 10.9X1	6	Oshkosh Defense
38	U02JTA	HANDLE,WDO REG,DR, CAB,CS,ASSY	1	Oshkosh Defense
39	U02JXA	ARM,WDO REG,DOOR, CAB,CS	1	Oshkosh Defense
40	U02JYA	SCR,SHD,SOC 9.5X12.3 SS	1	Oshkosh Defense
41	U02JWA	KNOB,WDO REG,DOOR, CAB,CS	1	Oshkosh Defense
42	U4230A	WASHER,FLAT M6X18X1.6 MB	1	Oshkosh Defense
43	U02JPA	HANDLE,LATCH,OUTER, DOOR,CAB,RH	1	Oshkosh Defense
44	U02K7A	BRKT,LWR RR RLR,RH, ASSY	1	Oshkosh Defense
45	U02K8A	BRKT,LWR RR LAT RLR,RH	1	Oshkosh Defense
46	U02K3A	BRG,RLR 20.09X11.38 ASSY	1	Oshkosh Defense
47	U02KGA	BRKT,RETENTION,DOOR	3	Oshkosh Defense
48	U421TA	SCR,FLG,HEX,DGP M6X30 C8.8 MG	4	Oshkosh Defense
49	U02KRA	SCR,BTN,SOC M6-1.00X12 C10.9 BO	12	Oshkosh Defense
50	U1300A	SCR,FLG,HEX,DGP M8X25 C8.8 MG	2	Oshkosh Defense
51	U130PA	SCR,FLG,HEX,DGP M6X16 C8.8 MG	4	Oshkosh Defense
52	U5200A	SCR,FLG,HEX,DGP M6X20 C8.8 MG	5	Oshkosh Defense
53	U4202A	SCR,FLG,HEX,DGP M6X25 C8.8 MG	2	Oshkosh Defense
54	U024VA	BUMPON,WINDSHIELD	7	Oshkosh Defense
55	U02KSA	BRUSH,DOOR,RH	1	Oshkosh Defense
56	U02KTA	KNOB,SHIFT	1	Oshkosh Defense
57	U02KUA	SHIM,ROLLER BRKT	2	Oshkosh Defense
58	U02KVA	HANDLE,DOOR RELEASE,DRIVER	1	Oshkosh Defense

Table 243. DOOR,FR,RH (continued)

Item Number	Part Number	Description	Quantity	Primary Source
59	U02KWA	GASKET,DOOR HANDLE	1	Oshkosh Defense
60	U02KXA	SEAL,FLAP	1	Oshkosh Defense
61	U02L2A	TAPE,VINYL FOAM RING	1	Oshkosh Defense
62	U02KYA	PLATE,UPR MTG,WDO REG	1	Oshkosh Defense
63	U02KZA	PLATE,LWR MTG,WDO REG	1	Oshkosh Defense
64	U02L0A	SHIM,DOOR,UPPR	1	Oshkosh Defense
65	U02L1A	PLATE,DBL UPR MTG, WDO	1	Oshkosh Defense
66	U02L3A	PLUG,OVAL, 18X12X1.6,RBR	1	Oshkosh Defense

DOOR COMPONENTS

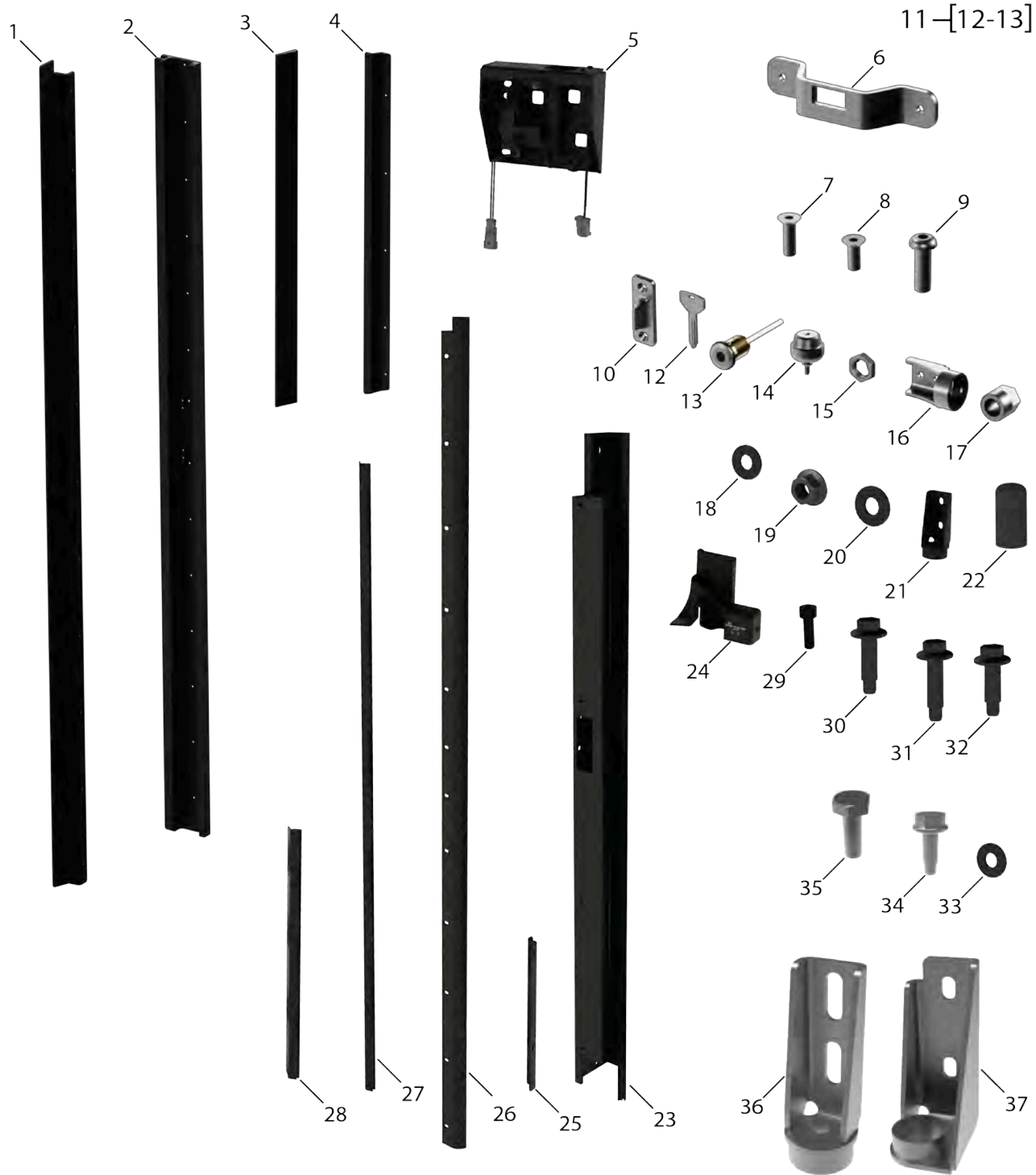


Table 244. DOOR COMPONENTS

Item Number	Part Number	Description	Quantity	Primary Source
1	U02LBA	PANEL,LWR CLOSEOUT, RH,ASSY	1	Oshkosh Defense
2	U02LAA	TRACK,LWR,EXTRN,RH	1	Oshkosh Defense
3	U02L4A	RH UPR TRACK BRUSH	1	Oshkosh Defense
4	U02L8A	FLANGE,TRACK SEAL	1	Oshkosh Defense
5	U02SVA	LOCK BOX,DOOR,RH	1	Oshkosh Defense
6	U02LCA	STRIKER,DOOR,CAB, OPEN,RH,ASSY	1	Oshkosh Defense
7	U02LEA	SCREW,CAP,SOCKET HEAD,M6-1.0X20 C10.9 MB	6	Oshkosh Defense
8	U02KLA	SCREW,CAP,SOCKET HEAD,M6-1.0X16 C10.9 MB	4	Oshkosh Defense
9	U02T2A	SCR,BTN,SOC HEAD,M8-1.25X30 C10.9 ZN	3	Oshkosh Defense
10	U02L9A	PIN,ALIGN,DOOR,RH	2	Oshkosh Defense
11	U02LSA	CYL,DOOR LOCK, ASSY	1	Oshkosh Defense
12	U02LTA	KEY,MASTER,LOCKBOX	3	Oshkosh Defense
13	U02LUA	CYLINDER,LOCK,DOOR	2	Oshkosh Defense
14	U02L6A	BUMPER,RND, 1.30X1.42	4	Oshkosh Defense
15	U02FYA	NUT,LOCK CYLINDER,R	1	Oshkosh Defense
16	U02L5A	BRKT,BUMPER,WLDMT	1	Oshkosh Defense
17	U02L7A	COVER,LOCK CYLINDER	1	Oshkosh Defense
18	U02LFA	WASHER,FLAT M4X9X0.8 SS	2	Oshkosh Defense
19	U1500A	NUT,SELF-LOCKING, EXTENDED WASHER,HEXAGON M8-1.25 C10 MB	2	Oshkosh Defense
20	U02H8A	WASHER,FLAT M8X16X1.6 MB	3	Oshkosh Defense
21	U02LGA	BRKT,BUMPER,WLDMT	1	Oshkosh Defense
22	U02LVA	CAP,DUST 5.16X12.7 VY	4	Oshkosh Defense
23	U02LHA	TRACK,UPR,EXTRN,RH	1	Oshkosh Defense
24	U02LJA	TRIM,ROCKER CAP,RH	1	Oshkosh Defense
25	U02LKA	BRKT,TRACK,LWR,FR	1	Oshkosh Defense
26	U02LLA	SEAL,DOOR	1	Oshkosh Defense
27	U02LMA	SEAL,FLAP	1	Oshkosh Defense
28	U02LNA	SEAL,FLAP	1	Oshkosh Defense
29	U02LPA	SCREW,CAP,SOCKET HEAD,M3-0.5X12 A2 SS	2	Oshkosh Defense
30	U5200A	SCR,FLG,HEX,DGP M6X20 C8.8 MG	25	Oshkosh Defense
31	U4202A	SCR,FLG,HEX,DGP M6X25 C8.8 MG	24	Oshkosh Defense
32	U1300A	SCR,FLG,HEX,DGP M8X25 C8.8 MG	4	Oshkosh Defense
33	U4230A	WASHER,FLAT M6X18X1.6 MB	1	Oshkosh Defense
34	U027CA	SCR,FLG,HEX,DGP M8X30 C8.8 MG	4	Oshkosh Defense
35	U1600A	SCREW,CAP,HEXAGON HEAD,M10-1.5X30 C10.9 MG	2	Oshkosh Defense
36	U02LQA	BRKT,BUMPER,WLDMT	1	Oshkosh Defense
37	U02LRA	BRKT,BUMPER,WLDMT	1	Oshkosh Defense

HATCH,FR,LH



Table 245. HATCH,FR,LH

Item Number	Part Number	Description	Quantity	Primary Source
1	U02M8A	DOOR,BIW,FR,LH	1	Oshkosh Defense
2	U02LWA	GLASS,HATCH,LH	1	Oshkosh Defense
3	U02JSA	HINGE,PLR,OVERSLAM, STOP	1	Oshkosh Defense
4	U02M1A	LATCH,BAR,LH INTR-EXT	1	Oshkosh Defense
5	U02LYA	HANDLE,HATCH,OUTER, LH	1	Oshkosh Defense
6	U02M5A	BRKT,RLR,UPR,ROAD, ASSY	1	Oshkosh Defense
7	U02M9A	RLR,LWR,FR,LAT,LH, ASSY	1	Oshkosh Defense
8	U02MAA	BRKT,RLR,LWR,FR, LAT,LH	1	Oshkosh Defense
9	U02K3A	BRG,RLR 20.09X11.38 ASSY	1	Oshkosh Defense
10	U02M6A	BRKT,LWR RR RLR ASSY	1	Oshkosh Defense
11	U02M7A	BRKT,LWR RR LAT RLR RR	1	Oshkosh Defense
12	U02K3A	BRG,RLR 20.09X11.38 ASSY	1	Oshkosh Defense
13	U02M0A	HANDLE,HATCH RELEASE	1	Oshkosh Defense
14	U02LXA	SPCR,HATCH	1	Oshkosh Defense
15	U02M2A	BRKT,ALIGNMENT PIN	3	Oshkosh Defense
16	U02LZA	BRKT,BUMPER,WLDMT	1	Oshkosh Defense
17	U021CA	PUSHPIN,BRB .25X.69X.50	1	Oshkosh Defense
18	U02L6A	BUMPER,RND, 1.30X1.42	1	Oshkosh Defense
19	U132EA	NUT,SELF-LOCKING, EXTENDED WASHER,HEXAGON, M6-1.0 C10 MB	3	Oshkosh Defense
20	U02M4A	SCREW,CAP,HEXAGON HEAD,M6-1.0X60 C10.9 MB	4	Oshkosh Defense
21	U02KBA	PLATE,RECEIVER, ALIGN	2	Oshkosh Defense
22	U1300A	SCR,FLG,HEX,DGP M8X25 C8.8 MG	2	Oshkosh Defense
23	U02KLA	SCREW,CAP,SOCKET HEAD,M6-1.0X16 C10.9 MB	4	Oshkosh Defense
24	U02KHA	SCREW,CAP,SOCKET HEAD,M6-1.0X20 C10.9 MB	3	Oshkosh Defense
25	U02M3A	PANEL,INTR,HATCH	1	Oshkosh Defense
26	U0247A	PUSHPIN,BRB .31X.79X.874 NY	7	Oshkosh Defense
27	U5200A	SCR,FLG,HEX,DGP M6X20 C8.8 MG	5	Oshkosh Defense
28	U4202A	SCR,FLG,HEX,DGP M6X25 C8.8 MG	14	Oshkosh Defense
29	U024VA	BUMPON,WINDSHIELD	6	Oshkosh Defense
30	U02MBA	PLATE,SEAL,DOOR, ASSY	1	Oshkosh Defense
31	U02MCA	PLATE,SEAL,DOOR	1	Oshkosh Defense
32	U02MDA	BRUSH,LWR,LH	1	Oshkosh Defense
33	U02MEA	RIVET,BLIND .125X.125 AL	11	Oshkosh Defense
34	U02KWA	GASKET,DOOR HANDLE	1	Oshkosh Defense

HATCH COMPONENT

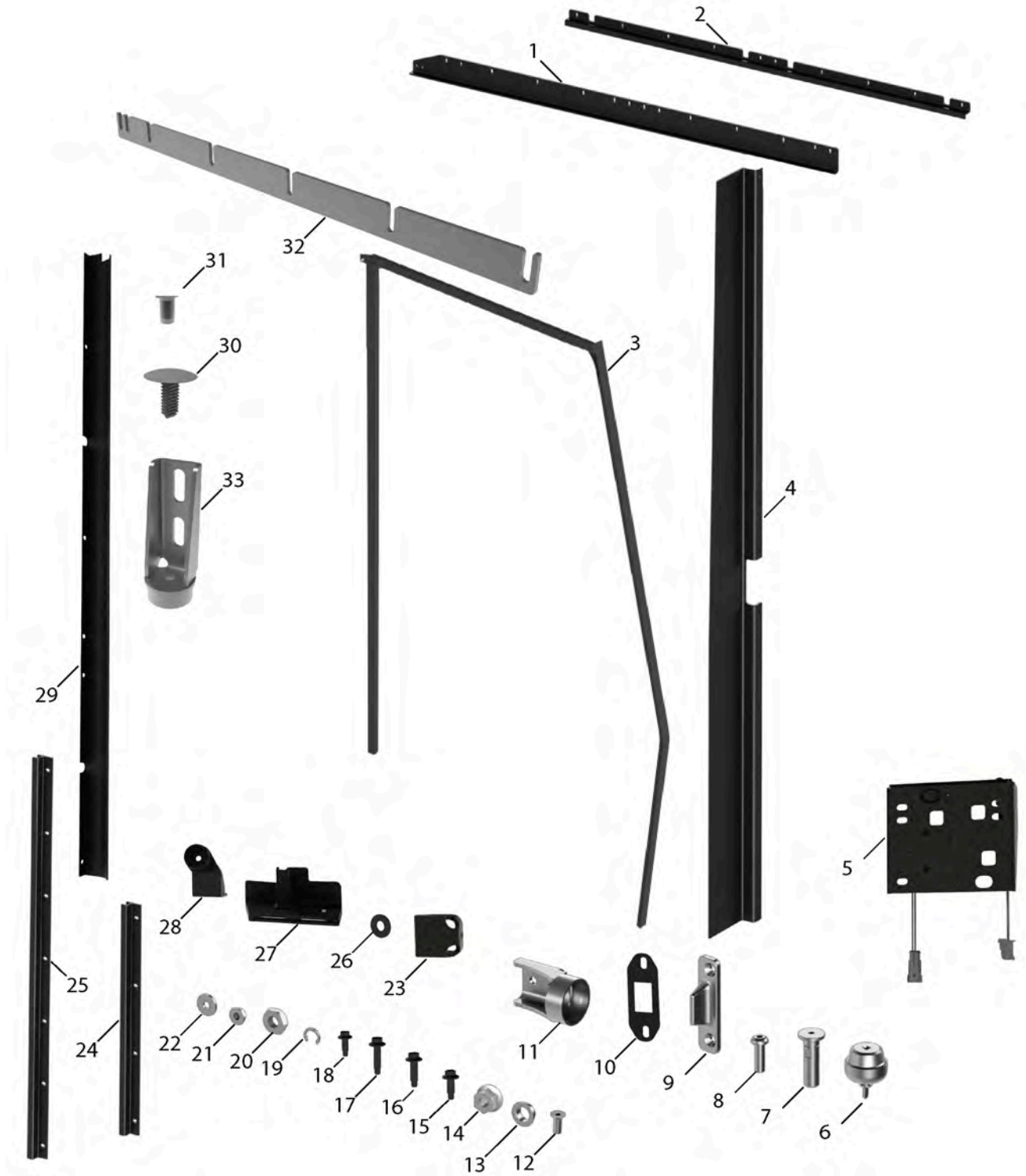


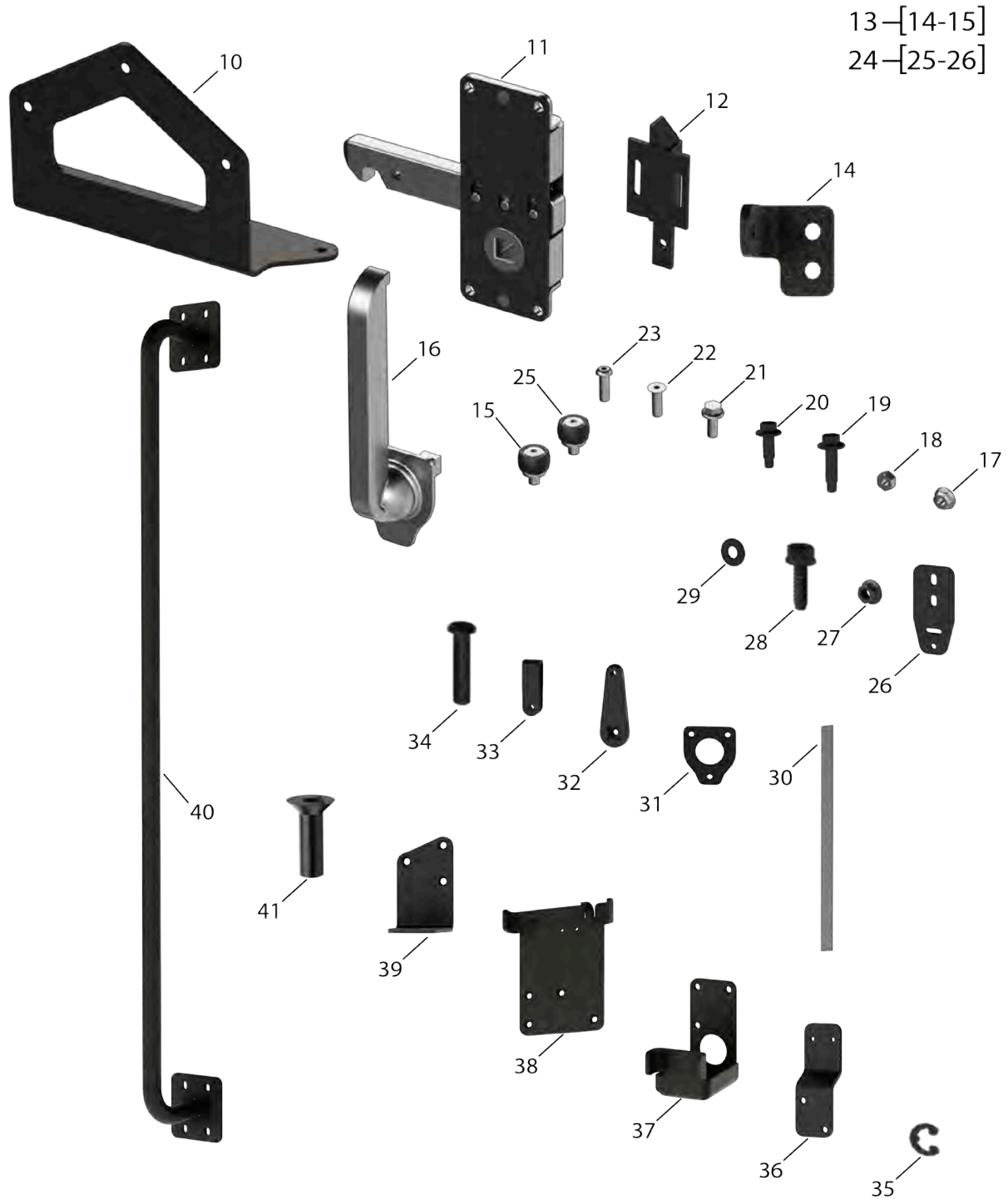
Table 246. HATCH COMPONENT

Item Number	Part Number	Description	Quantity	Primary Source
1	U02MSA	EXTRN,TRACK,UPR,LH	1	Oshkosh Defense
2	U02MRA	EXTRN,TRACK,UPR,LH	1	Oshkosh Defense
3	U02MGA	SEAL, LH HATCH	1	Oshkosh Defense
4	U02MLA	PANEL,LWR CLOSEOUT, HATCH,ASSY	1	Oshkosh Defense
5	U02MFA	LOCK BOX,DOOR,CARGO	1	Oshkosh Defense
6	U02L6A	BUMPER,RND, 1.30X1.42	3	Oshkosh Defense
7	U02JNA	PIN,DOOR,INTERLOCK	3	Oshkosh Defense
8	U02T2A	SCR,BTN,SOC HEAD,M8-1.25X30 C10.9 ZN	3	Oshkosh Defense
9	U02MKA	PIN,ALIGN,HATCH,LH	2	Oshkosh Defense
10	U02MJA	STRIKER,DOOR,OPEN, LH	1	Oshkosh Defense
11	U02MHA	BRKT,BUMPER,WLDMT	1	Oshkosh Defense
12	U02KLA	SCREW,CAP,SOCKET HEAD,M6-1.0X16 C10.9 MB	4	Oshkosh Defense
13	U02JQA	BSHG,FLG,INTRLK,NY	3	Oshkosh Defense
14	U1500A	NUT,SELF-LOCKING, EXTENDED WASHER,HEXAGON M8-1.25 C10 MB	2	Oshkosh Defense
15	U027CA	SCR,FLG,HEX,DGP M8X30 C8.8 MG	2	Oshkosh Defense
16	U5200A	SCR,FLG,HEX,DGP M6X20 C8.8 MG	14	Oshkosh Defense
17	U4202A	SCR,FLG,HEX,DGP M6X25 C8.8 MG	25	Oshkosh Defense
18	U1300A	SCR,FLG,HEX,DGP M8X25 C8.8 MG	6	Oshkosh Defense
19	U02KAA	RING,EXT, 10.9X1	3	Oshkosh Defense
20	U02MMA	NUT,PLAIN,HEXAGON M12-1.75 C10 PO	3	Oshkosh Defense
21	U010VA	NUT,FLG M8-1.25 C10 MG	2	Oshkosh Defense
22	U4230A	WASHER,FLAT M6X18X1.6 MB	6	Oshkosh Defense
23	U02MNA	BRKT,RLR,LWR RR, LAT,8MM	1	Oshkosh Defense
24	U02MQA	EXTRN,TRACK,UPR,RR, LH	1	Oshkosh Defense
25	U02MPA	EXTRN,TRACK,LWR,LH	1	Oshkosh Defense
26	U02H8A	WASHER,FLAT M8X16X1.6 MB	3	Oshkosh Defense
27	U02MTA	TRIM,ROCKER CAP,LH	1	Oshkosh Defense
28	U02MUA	BRKT,BUMPER,WLDMT	1	Oshkosh Defense
29	U02MVA	SEAL,SLIDING DOOR	1	Oshkosh Defense
30	U0247A	PUSHPIN,BRB .31X.79X.874 NY	1	Oshkosh Defense
31	U02MXA	SCR,FLG,HEX,SPL M8-1.25X16 C10.9MB	2	Oshkosh Defense
32	U02MYA	SHIM,EXTRN,TRACK, LWR,LH	1	Oshkosh Defense
33	U02LQA	BRKT,BUMPER,WLDMT	1	Oshkosh Defense

DOOR, SLIDING, RH



DOOR,SLIDING,RH

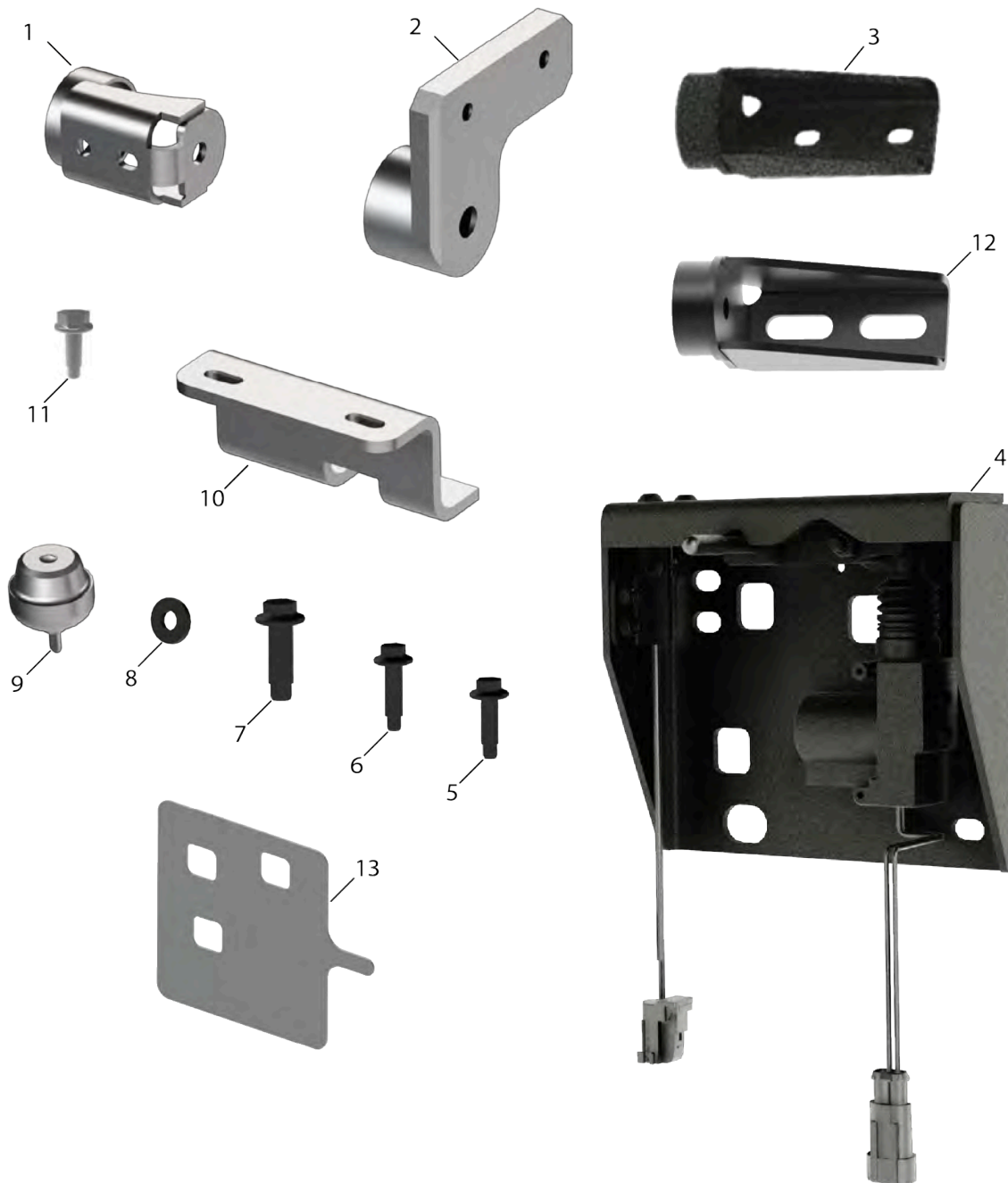


DOORS AND HATCHES

Table 247. DOOR,SLIDING,RH

Item Number	Part Number	Description	Quantity	Primary Source
1	U02N7A	SEAL,CARGO,RH	1	Oshkosh Defense
2	U1300A	SCR,FLG,HEX,DGP M8X25 C8.8 MG	5	Oshkosh Defense
3	U02NNA	PLATE,LATCH,CARGO DOOR	1	Oshkosh Defense
4	U02NQA	SEAL,FLAP	1	Oshkosh Defense
5	U02NPA	SLEEVE,LOCKBOX BAR	1	Oshkosh Defense
6	U02NRA	SEAL,CARGO,RH, REAR	1	Oshkosh Defense
7	U02NBA	DOOR,BIW,CARGO, SLIDING	1	Oshkosh Defense
8	U02N1A	PANEL,CLOSEOUT,CGO DR,ASSY	1	Oshkosh Defense
9	U02MZA	ROPE ASSY,WIRE, CARGO DOOR	1	Oshkosh Defense
10	U02N0A	BRKT,SPRT,CLOSE OFF	1	Oshkosh Defense
11	U02N9A	LATCH,BAR,CARGO DOOR	1	Oshkosh Defense
12	U02FZA	LATCH,HOLD OPEN, CGO,RH	1	Oshkosh Defense
13	U02N2A	RLR,UPR LAT,CGO, ASSY	2	Oshkosh Defense
14	U02N3A	BRKT,UPR LAT,CGO	1	Oshkosh Defense
15	U02K3A	BRG,RLR 20.09X11.38 ASSY	1	Oshkosh Defense
16	U02N8A	HANDLE,LATCH,OUTER, CGO,RH	1	Oshkosh Defense
17	U132EA	NUT,SELF-LOCKING, EXTENDED WASHER,HEXAGON, M6-1.0 C10 MB	4	Oshkosh Defense
18	U02G5A	NUT,PLAIN,HEXAGON M6-1.0 C10 MB	1	Oshkosh Defense
19	U5200A	SCR,FLG,HEX,DGP M6X20 C8.8 MG	4	Oshkosh Defense
20	U130PA	SCR,FLG,HEX,DGP M6X16 C8.8 MG	8	Oshkosh Defense
21	U02NAA	SCR,FLG,HEX,NY M6-1.0X16 MB	8	Oshkosh Defense
22	U02LEA	SCREW,CAP,SOCKET HEAD,M6-1.0X20 C10.9 MB	14	Oshkosh Defense
23	U02KHA	SCREW,CAP,SOCKET HEAD,M6-1.0X20 C10.9 MB	2	Oshkosh Defense
24	U02N4A	RLR,LWR FR LAT,CGO, ASSY	2	Oshkosh Defense
25	U02N5A	BRG,SPL RLR,LAT, ASSY	1	Oshkosh Defense
26	U02N6A	PLATE,ROLLER ADJ, CGO,LWR	1	Oshkosh Defense
27	U02FXA	NUT,SELF-LOCKING, EXTENDED WASHER,HEXAGON, M5-0.8 C8.8 MB	2	Oshkosh Defense
28	U02NCA	SCR,FLG,HEX,TF M5-0.8X16 ZP	2	Oshkosh Defense
29	U4230A	WASHER,FLAT M6X18X1.6 MB	2	Oshkosh Defense
30	U02NDA	PLASTIC STRIP	1	Oshkosh Defense
31	U02KWA	GASKET,DOOR HANDLE	1	Oshkosh Defense
32	U02NEA	LEVER,HANDLE,CARGO DOOR	1	Oshkosh Defense
33	U02GJA	BRKT,ROPE END,CARGO DOOR	1	Oshkosh Defense
34	U02NFA	PIN,CLV GROOVED 6X25	1	Oshkosh Defense
35	U02NGA	CLIP,SPRG,RETAINER RING 5MM	1	Oshkosh Defense
36	U02NHA	BRKT,HOLDOPEN,UPR, RR	1	Oshkosh Defense
37	U02NKA	LWR RR VERT,CGO, WLDMT	1	Oshkosh Defense
38	U02NLA	BRKT,UPR RR RLR, CGO,WLDMT	2	Oshkosh Defense
39	U02NMA	BRKT,LWR FR LAT,CGO CARGO	1	Oshkosh Defense
40	U02NJA	HANDLE,CARGO DOOR, WLDMT	1	Oshkosh Defense
41	U02G3A	SCREW,CAP,SOCKET HEAD,M8-1.25X25 C10.9 MB	2	Oshkosh Defense

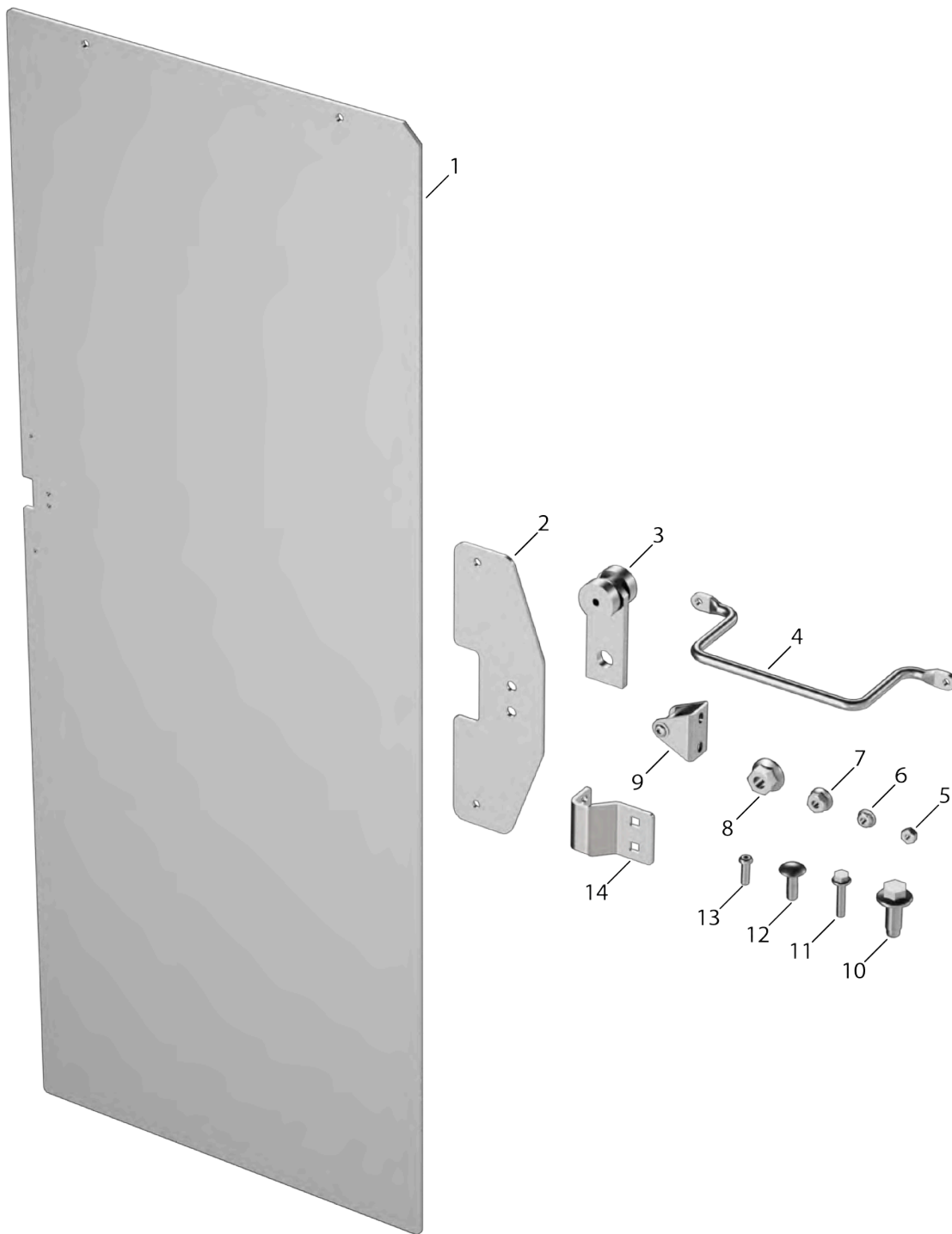
DOOR COMPONENTS, CARGO



DOORS AND HATCHES**Table 248. DOOR COMPONENTS,CARGO**

Item Number	Part Number	Description	Quantity	Primary Source
1	U02NSA	BRKT,BUMPER,WLDMT	1	Oshkosh Defense
2	U02NUA	RH,LWR,REAR,BLOCK,M	1	Oshkosh Defense
3	U02NTA	BRKT,BUMPER,WLDMT WLDMT	1	Oshkosh Defense
4	U02MFA	LOCK BOX,DOOR,CARGO	1	Oshkosh Defense
5	U5200A	SCR,FLG,HEX,DGP M6X20 C8.8 MG	2	Oshkosh Defense
6	U421TA	SCR,FLG,HEX,DGP M6X30 C8.8 MG	2	Oshkosh Defense
7	U027CA	SCR,FLG,HEX,DGP M8X30 C8.8 MG	5	Oshkosh Defense
8	U02GRA	WASH,FLT M8X22X4.5 MG	3	Oshkosh Defense
9	U02L6A	BUMPER,RND, 1.30X1.42	4	Oshkosh Defense
10	U02NVA	BRKT,STRKR,HOLD OPEN,CGO	1	Oshkosh Defense
11	U1300A	SCR,FLG,HEX,DGP M8X25 C8.8 MG	4	Oshkosh Defense
12	U02NWA	BRKT,BUMPER,WLDMT	1	Oshkosh Defense
13	U02NXA	SHIM,LOCK BOX	1	Oshkosh Defense

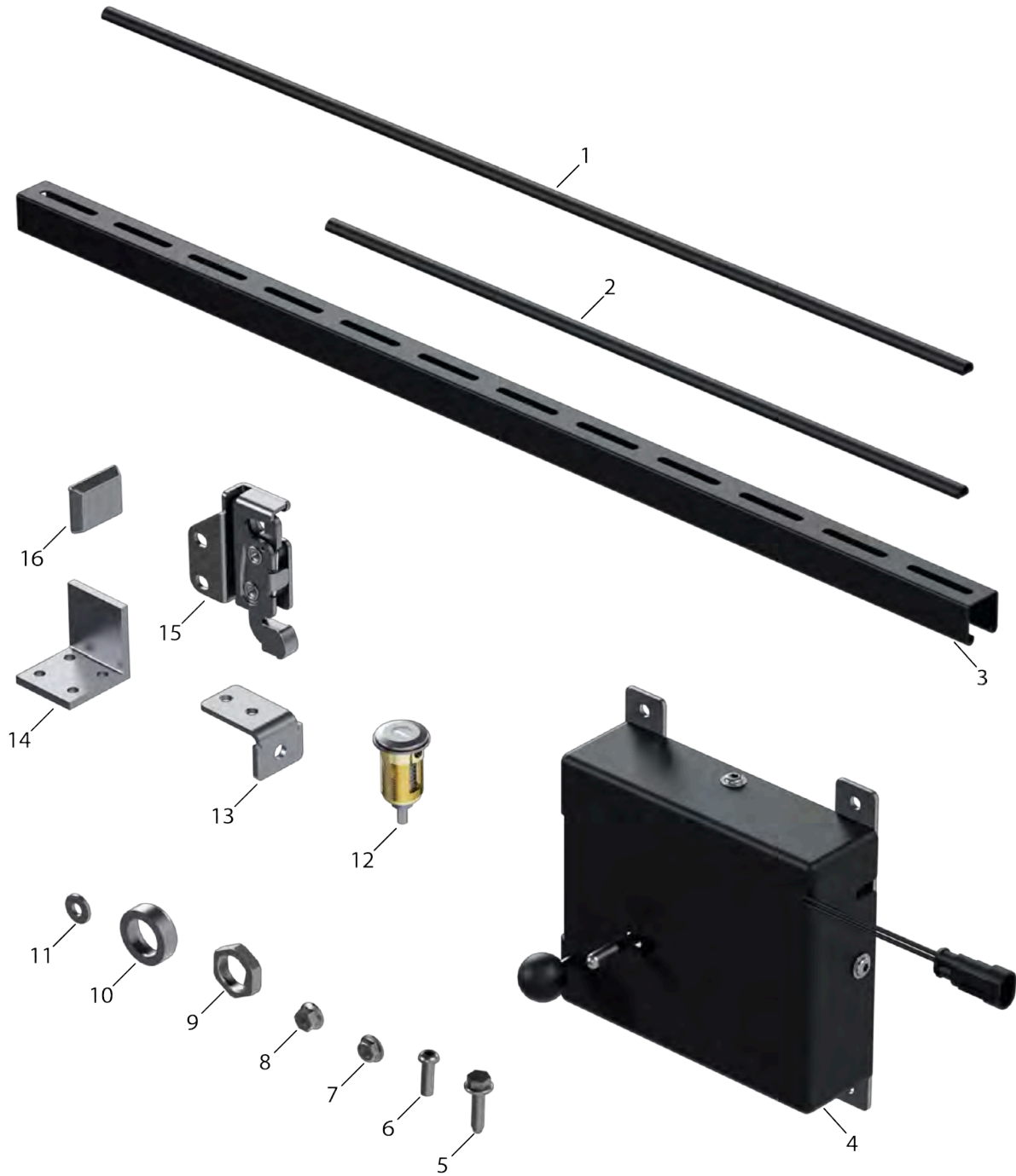
DOOR, PARTITION



DOORS AND HATCHES**Table 249. DOOR,PARTITION**

Item Number	Part Number	Description	Quantity	Primary Source
1	U02NYA	PNL,DOOR,PTN,SLIDIN	1	Oshkosh Defense
2	U02P1A	PLATE,BACKER,PRT HA	1	Oshkosh Defense
3	U02P0A	ROLLER,PTN DOOR,UPR	2	Oshkosh Defense
4	U02P2A	HANDLE,PARTITION DO	2	Oshkosh Defense
5	U02G5A	NUT,PLAIN,HEXAGON M6-1.0 C10 MB	2	Oshkosh Defense
6	U421SA	NUT,FLG M6-1.0 C10 MG	2	Oshkosh Defense
7	U1500A	NUT,SELF-LOCKING, EXTENDED WASHER M8-1.25 C10 MB	2	Oshkosh Defense
8	U1613A	NUT,SELF-LOCKING, HEXAGON,M12-1.75 C10 MB	2	Oshkosh Defense
9	U02P3A	STRIKER,PARTITION D	1	Oshkosh Defense
10	U02P6A	SCR,FLG,HEX M12-1.7	2	Oshkosh Defense
11	U02P4A	SCREW,CAP,HEXAGON M6-1.0X30 C10.9 MB	2	Oshkosh Defense
12	U02P5A	BOLT,SQUARE NECK M8-1.25X25 C8.8 MB	2	Oshkosh Defense
13	U02KHA	SCREW,CAP,SOCKET HEAD,M6-1.0X20 C10.9 MB	2	Oshkosh Defense
14	U02NZA	BRKT,STRIKER,PTN DO	1	Oshkosh Defense

DOOR COMPONENTS, PARTITION



DOORS AND HATCHES**Table 250. DOOR COMPONENTS,PARTITION**

Item Number	Part Number	Description	Quantity	Primary Source
1	U02PFA	SEAL,BULB,PTN DOOR,	1	Oshkosh Defense
2	U02PEA	SEAL,BULB,PTN DOOR,	1	Oshkosh Defense
3	U02PCA	TRACK,PTN DOOR,UPR	1	Oshkosh Defense
4	U02PGA	LOCKBOX,PARTITION D	1	Oshkosh Defense
5	U02PJA	SCR,FLG,HEX	2	Oshkosh Defense
6	U02KHA	SCREW,CAP,SOCKET HEAD,M6-1.0X20 C10.9 MB	12	Oshkosh Defense
7	U421SA	NUT,FLG M6-1.0 C10 MG	2	Oshkosh Defense
8	U132EA	NUT,SELF-LOCKING, EXTENDED WASHER,HEXAGON, M6-1.0 C10 MB	4	Oshkosh Defense
9	U02FYA	NUT,LOCK CYLINDER,R	1	Oshkosh Defense
10	U02P9A	SPACER,LOCK CYLINDE	1	Oshkosh Defense
11	U02PHA	WASHER,FLAT .25X.62X.07 MB	6	Oshkosh Defense
12	U02P8A	CYLINDER,LOCK,DOOR,	1	Oshkosh Defense
13	U02PAA	PARTATION DOOR BUMP	1	Oshkosh Defense
14	U02PDA	BRKT,GUIDE,LWR ROLL	3	Oshkosh Defense
15	U02P7A	LATCH,OPEN,PARTITIO	1	Oshkosh Defense
16	U02PBA	UPPER,PARTITION,BUM	1	Oshkosh Defense

DOOR, OVERHEAD

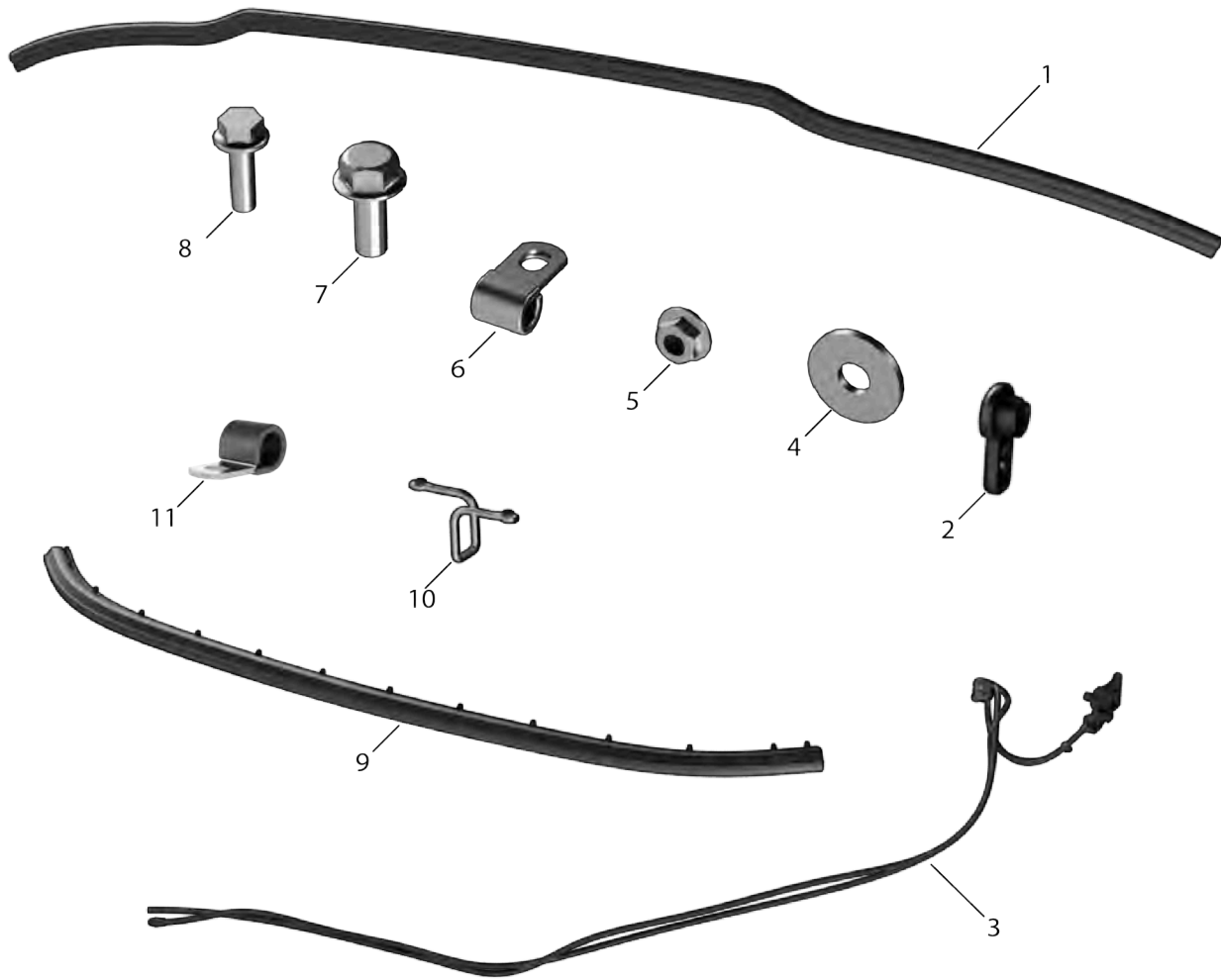


DOORS AND HATCHES

Table 251. DOOR,OVERHEAD

Item Number	Part Number	Description	Quantity	Primary Source
1	U02PKA	SEAL,RUD, TOP	1	Oshkosh Defense
2	U02PNA	BRKT, TRACK-LITE, RUD	2	Oshkosh Defense
3	U02KHA	SCREW,CAP, SOCKET HEAD, M6-1.0X20 C10.9 MB	14	Oshkosh Defense
4	U421SA	NUT, FLG M6-1.0 C10 MG	20	Oshkosh Defense
5	U02PMA	BRKT, TRACK, RUD	4	Oshkosh Defense
6	U02PLA	LOCK BOX, DOOR, REAR	1	Oshkosh Defense
7	U02SBA	SEAL, OVERHEAD DOOR, CS	1	Oshkosh Defense
8	U02PQA	SCREW,CAP, HEXAGON HEAD, M8-1.25X25 C10.9 MB	2	Oshkosh Defense
9	U02PRA	SCREW,CAP, HEXAGON HEAD, M8-1.25X35 C10.9 MB	2	Oshkosh Defense
10	U132DA	SCREW,CAP, HEXAGON HEAD, M6-1.0X45 C10.9 MB	2	Oshkosh Defense
11	U02G1A	SCREW,CAP, SOCKET HEAD, M8-1.25X20 C10.9 MB	2	Oshkosh Defense
12	U132EA	NUT, SELF-LOCKING, EXTENDED WASHER, HEXAGON, M6-1.0 C10 MB	16	Oshkosh Defense
13	U1500A	NUT, SELF-LOCKING, EXTENDED WASHER, HEXAGON M8-1.25 C10 MB	4	Oshkosh Defense
14	U02H8A	WASHER, FLAT M8X16X1.6 MB	4	Oshkosh Defense
15	U010VA	NUT, FLG M8-1.25 C10 MG	4	Oshkosh Defense
16	U5200A	SCR, FLG, HEX, DGP M6X20 C8.8 MG	30	Oshkosh Defense
17	U1600A	SCREW,CAP, HEXAGON HEAD, M10-1.5X30 C10.9 MG	4	Oshkosh Defense
18	U02PSA	RAIL STOP END, RUD	2	Oshkosh Defense
19	U02PTA	BRKT, LATCH STRIKER, RUD	2	Oshkosh Defense
20	U02PUA	RUD, COUNTERBALANCE, ASSY	1	Oshkosh Defense
21	U02PVA	BRKT, CS, CB, RUD	1	Oshkosh Defense
22	U02PWA	BRKT, RS, CB, RUD	1	Oshkosh Defense
23	U02PXA	WINDING DRUM, RS, RUD	1	Oshkosh Defense
24	U02PYA	CABLE ASSY, 3.18 DIA, RUD	2	Oshkosh Defense
25	U02PZA	GUIDE ROLLER, RUD	22	Oshkosh Defense
26	U02Q1A	RETAINER, FLG, BRG, RUD	2	Oshkosh Defense
27	U02Q2A	WINDING DRUM, CS, RUD	1	Oshkosh Defense
28	U02GKA	PIN, CLV .25X1.00 SS	2	Oshkosh Defense
29	U02HAA	PIN, COT HMR .06X.75 SS	2	Oshkosh Defense
30	U02Q3A	BRKT, TRACK SPLIT	2	Oshkosh Defense
31	U02Q4A	BRKT, UPR SEAL	1	Oshkosh Defense
32	U02Q5A	TRACK, UPR, RS, RUD	1	Oshkosh Defense
33	U02Q6A	TRACK, UPR, CS, RUD	1	Oshkosh Defense
34	U02Q7A	TRACK, LWR, RS, RUD	1	Oshkosh Defense
35	U02Q8A	TRACK, LWR, CS, RUD	1	Oshkosh Defense
36	U02Q9A	PANEL DOOR, RUD	1	Oshkosh Defense
37	U02QAA	LATCH, DOOR, RUD, RR	1	Oshkosh Defense
38	U02QBA	PIN, COT SQ .09X.62 ZP	2	Oshkosh Defense
39	U02QCA	BRKT, LOCK, RUD	1	Oshkosh Defense
40	U02QDA	BRKT, SENSOR, RUD	1	Oshkosh Defense
41	U02QEA	TAPE, VINYL FOAM	2	Oshkosh Defense
42	U02SCA	SEAL, OVERHEAD DOOR, RS	1	Oshkosh Defense

HOOD



DOORS AND HATCHES**Table 252. HOOD**

Item Number	Part Number	Description	Quantity	Primary Source
1	U02QGA	SEAL,HOOD,COWL	1	Oshkosh Defense
2	U02QJA	CABLE,HOOD RLSE HDL	1	Oshkosh Defense
3	U02QLA	CABLE,RELEASE,ASSY	1	Oshkosh Defense
4	U02FTA	WASH,FLT M8X24X2.0	4	Oshkosh Defense
5	U421SA	NUT,FLG M6-1.0 C10 MG	2	Oshkosh Defense
6	U02QHA	CLAMP,LOOP .25 ST VY	2	Oshkosh Defense
7	U02FSA	SCR,FLG,HEX M8-1.25	4	Oshkosh Defense
8	U131KA	SCREW,CAP,HEXAGON M6-1.0X20 C10.9 MB	3	Oshkosh Defense
9	U02QFA	SEAL,HOOD,FRONT	1	Oshkosh Defense
10	U02QKA	STRIKER,HOOD	1	Oshkosh Defense
11	U02QMA	CLAMP,LOOP	1	Oshkosh Defense

MODULE, GATE, BEV

1-[2]



DOORS AND HATCHES

Table 253. MODULE,GATE,BEV

Item Number	Part Number	Description	Quantity	Primary Source
1	D014T072	MODULE ASSY,ECU, CGW,NBX,BEV 4440	1	Oshkosh Defense
2	U350YA	MODULE,VEH,GATEWAY	1	Oshkosh Defense

MODULE, GATE, ICE

1-[2]



DOORS AND HATCHES

Table 254. MODULE,GATE,ICE

Item Number	Part Number	Description	Quantity	Primary Source
1	D014T249	MODULE ASSY,ECU, CGW,NIX,ICE 440,F198	1	Oshkosh Defense
2	U350YA	MODULE,VEH,GATEWAY	1	Oshkosh Defense

EXTERIOR SHROUDS AND GUARDS



EXTERIOR SHROUDS AND GUARDS

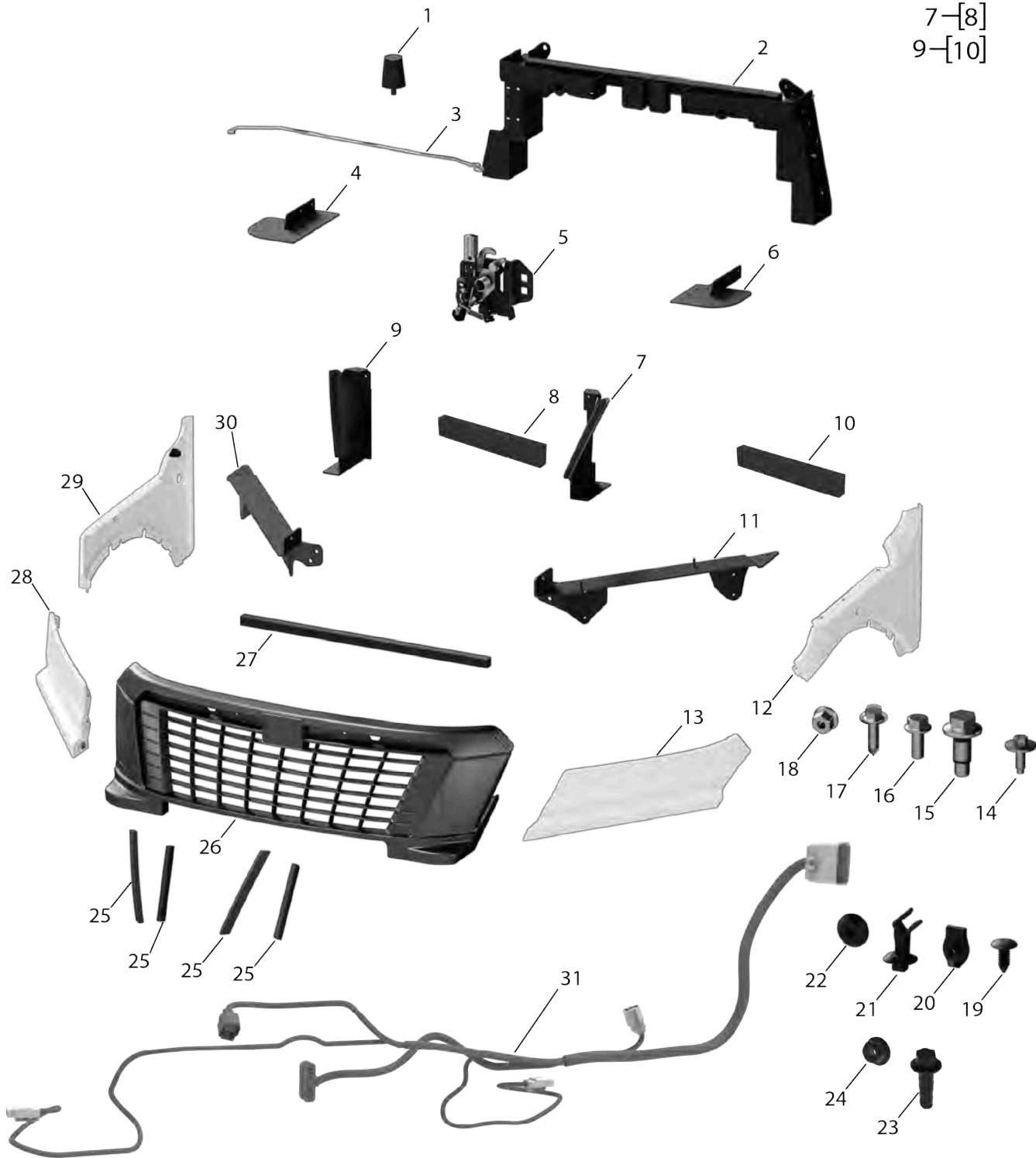


Table 255. EXTERIOR SHROUDS AND GUARDS

Item Number	Part Number	Description	Quantity	Primary Source
1	U021DA	ISOLATOR,RBR 50.8X3	2	Oshkosh Defense
2	U021PA	BRKT,XMBR,RAD MTG, UPR,WLDMT	1	Oshkosh Defense
3	U0221A	ROD,HOOD,SUPPORT	1	Oshkosh Defense
4	U021UA	SUPPORT,FASCIA,RH	1	Oshkosh Defense
5	U021ZA	LATCH,HOOD,NGDV	1	Oshkosh Defense
6	U021TA	SUPPORT,FASCIA,LH	1	Oshkosh Defense
7	U021QA	BAFFLE,LH,ASSY	1	Oshkosh Defense
8	U021RA	SEAL,RECT 0.50X1.00	2	Oshkosh Defense
9	U021SA	BAFFLE,RH,ASSY	1	Oshkosh Defense
10	U021RA	SEAL,RECT 0.50X1.00	2	Oshkosh Defense
11	U021MA	BRKT,HEADLIGHT MTG,	1	Oshkosh Defense
12	U021XA	PANEL,FRONT QUARTER,LH	1	Oshkosh Defense
13	U021LA	FASCIA,LEFT	1	Oshkosh Defense
14	U0222A	SCR & WASH M6X1X22.	2	Oshkosh Defense
15	U021HA	SCR,FLG,HEX,DGP M12-1.5X50 MG	4	Oshkosh Defense
16	U021GA	SCR,FLG,HEX M8-1.25X25 C8.8MG	10	Oshkosh Defense
17	U021EA	SCR,WASH,HEX M6 1.0X25 ST MB	22	Oshkosh Defense
18	U021FA	NUT,PLAIN,HEXAGON .31-18 G8 MB	2	Oshkosh Defense
19	U021CA	PUSHPIN,BRB .25X.69X.50	14	Oshkosh Defense
20	U0203A	NUT,CLIP-ON M6-1.0 0.8-4.0 NS MB	14	Oshkosh Defense
21	U0220A	CLIP,HOOD,ROD	1	Oshkosh Defense
22	U0223A	GROMMET,HOOD ROD	1	Oshkosh Defense
23	U0204A	SCREW,MACHINE	3	Oshkosh Defense
24	U421SA	NUT,FLG M6-1.0 C10 MG	3	Oshkosh Defense
25	U021VA	BAFFLE,FOAM SEAL, CENTER,ASSY	1	Oshkosh Defense
26	U021JA	FASCIA,FRONT	1	Oshkosh Defense
27	U021YA	SEAL,FOAM 25.4X31.75X824	1	Oshkosh Defense
28	U021KA	FASCIA,RIGHT	1	Oshkosh Defense
29	U021WA	PANEL,FRONT QUARTER,RH	1	Oshkosh Defense
30	U021NA	BRKT,HEADLIGHT MTG,	1	Oshkosh Defense
31	U525LA	WIRE HARN,CHAS, FASCIA,NIX	1	Oshkosh Defense

FRONT FASCIA, ICE

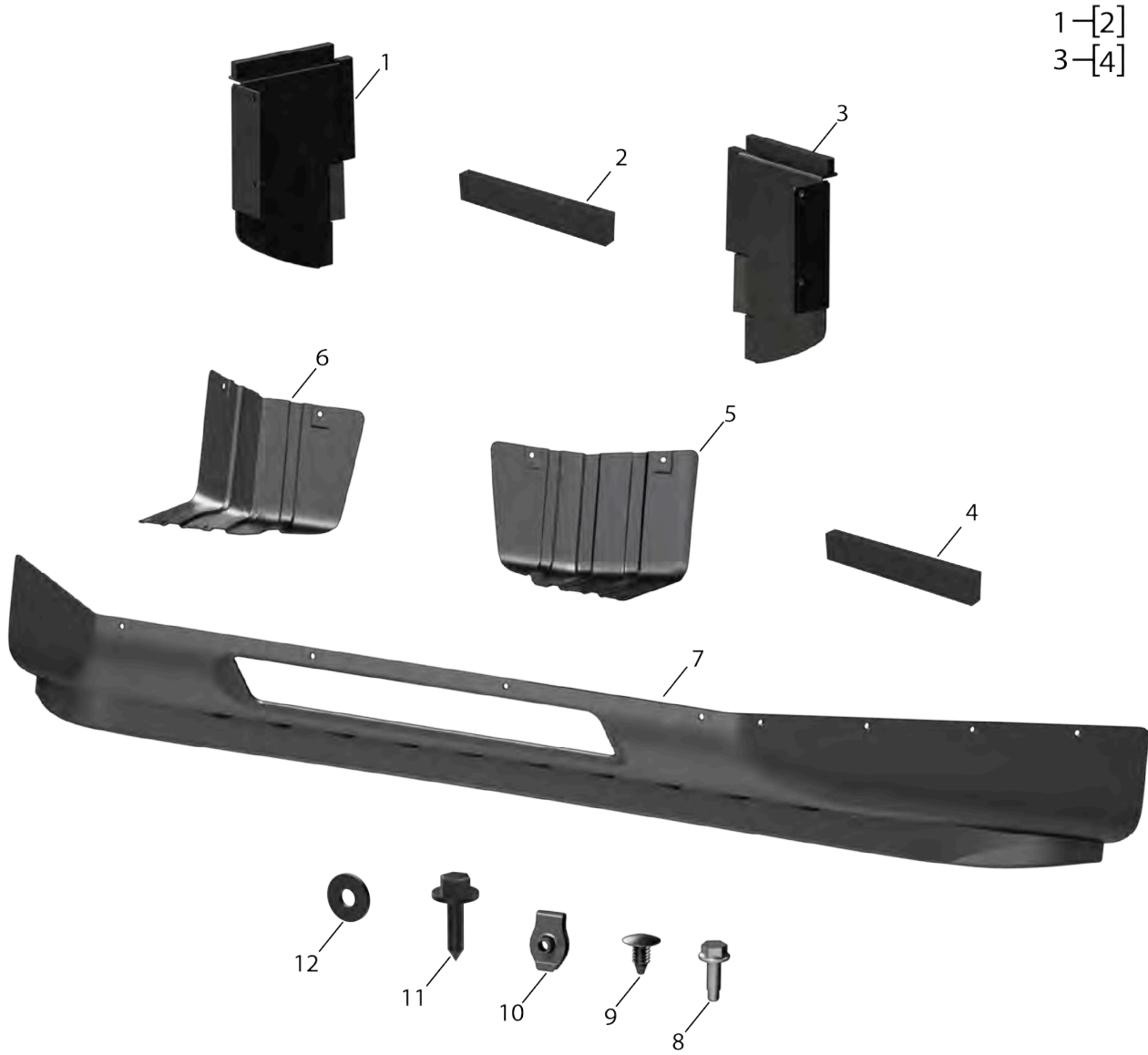


Table 256. FRONT FASCIA,ICE

Item Number	Part Number	Description	Quantity	Primary Source
1	U022AA	BAFFLE,LWR,RH,ASSY	1	Oshkosh Defense
2	U0229A	SEAL,RECT 0.50X1.00 FOAM	4	Oshkosh Defense
3	U0228A	BAFFLE,LWR,LH,ASSY	1	Oshkosh Defense
4	U0229A	SEAL,RECT 0.50X1.00 FOAM	4	Oshkosh Defense
5	U0227A	TRIM,WHEEL WELL,LWR	1	Oshkosh Defense
6	U0226A	TRIM,WHEEL WELL,LWR	1	Oshkosh Defense
7	U0225A	TRIM,LOWER COVER	1	Oshkosh Defense
8	U5200A	SCR,FLG,HEX,DGP M6X20 C8.8 MG	3	Oshkosh Defense
9	U0224A	PIN-RIVET .25X.67X.63	6	Oshkosh Defense
10	U0203A	NUT,CLIP-ON M6-1.0 0.8-4.0 NS MB	8	Oshkosh Defense
11	U021EA	SCR,WASH,HEX M6 1.0X25 ST MB	18	Oshkosh Defense
12	U4230A	WASHER,FLAT M6X18X1.6 MB	3	Oshkosh Defense

FRONT FASCIA, BEV

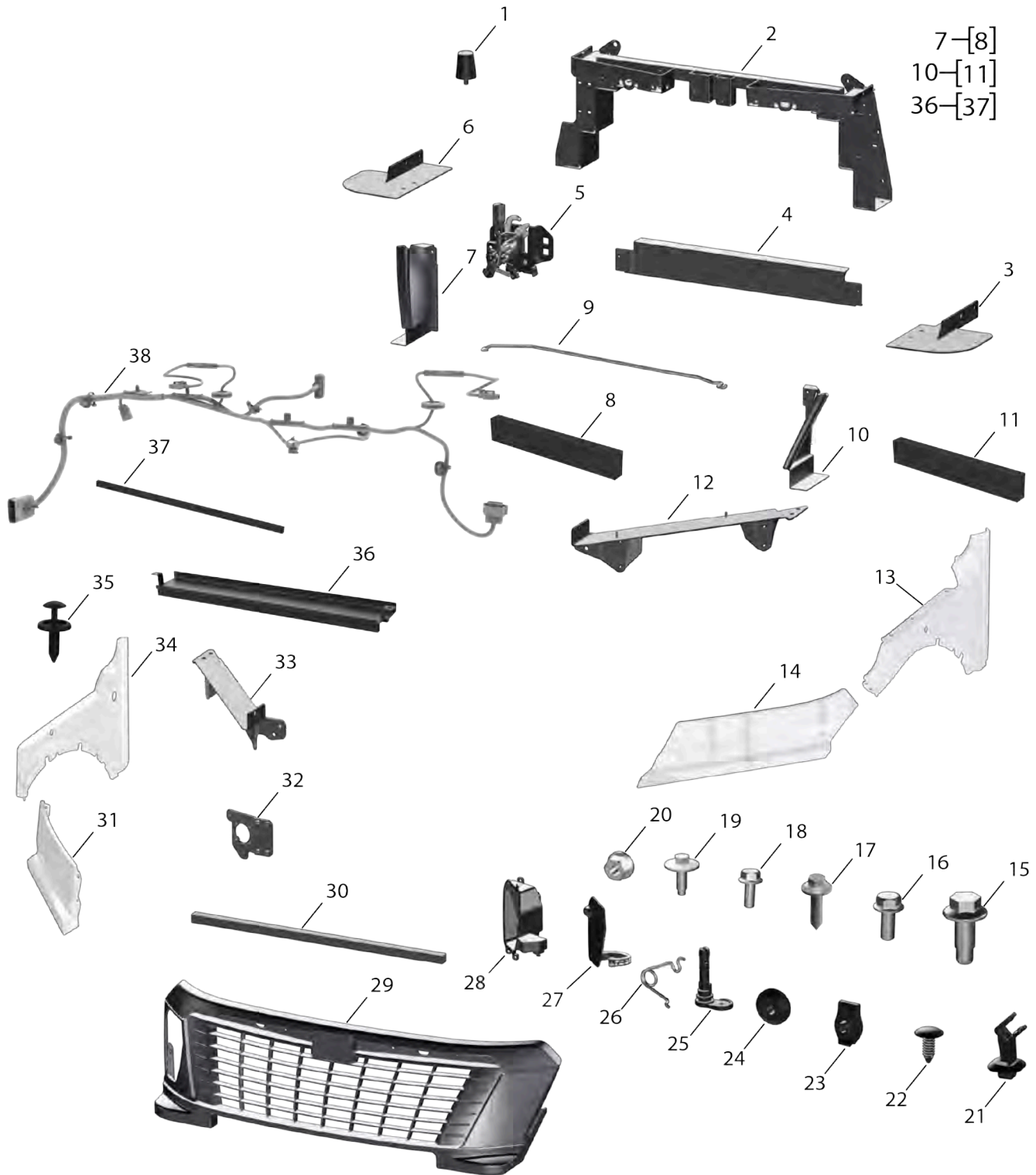


Table 257. FRONT FASCIA,BEV

Item Number	Part Number	Description	Quantity	Primary Source
1	U021DA	ISOLATOR,RBR 50.8X3	2	Oshkosh Defense
2	U021PA	BRKT,XMBR,RAD MTG, WLDMT	1	Oshkosh Defense
3	U021TA	SUPPORT,FASCIA,LH	1	Oshkosh Defense
4	U022GA	BAFFLE,CENTER,UPR	1	Oshkosh Defense
5	U021ZA	LATCH,HOOD,NGDV	1	Oshkosh Defense
6	U021UA	SUPPORT,FASCIA,RH	1	Oshkosh Defense
7	U021SA	BAFFLE,RH,ASSY	1	Oshkosh Defense
8	U021RA	SEAL,RECT 0.50X1.00 FOAM	2	Oshkosh Defense
9	U0221A	ROD,HOOD,SUPPORT	1	Oshkosh Defense
10	U021QA	BAFFLE,LH,ASSY	1	Oshkosh Defense
11	U021RA	SEAL,RECT 0.50X1.00 FOAM	2	Oshkosh Defense
12	U021MA	BRKT,HEADLIGHT MTG,	1	Oshkosh Defense
13	U021XA	PANEL,FRONT QUARTER,LH	1	Oshkosh Defense
14	U021LA	FASCIA,LEFT	1	Oshkosh Defense
15	U021HA	SCR,FLG,HEX,DGP M12-1.5X50 MG	4	Oshkosh Defense
16	U021GA	SCR,FLG,HEX M8-1.25X25 C8.8MG	10	Oshkosh Defense
17	U021EA	SCR,WASH,HEX M6 1.0X25 ST MB	22	Oshkosh Defense
18	U012HA	SCR,FLG,HEX M6-1.0X16 C10.9 MG	7	Oshkosh Defense
19	U0222A	SCR & WASH M6X1X22.	2	Oshkosh Defense
20	U021FA	NUT,PLAIN,HEXAGON .31-18 G8 MB	2	Oshkosh Defense
21	U0220A	CLIP,HOOD,ROD	1	Oshkosh Defense
22	U021CA	PUSHPIN,BRB .25X.69X.50	19	Oshkosh Defense
23	U0203A	NUT,CLIP-ON M6-1.0 0.8-4.0 NS MB	14	Oshkosh Defense
24	U0223A	GROMMET,HOOD ROD	1	Oshkosh Defense
25	U022HA	HINGE,ACCESS DOOR, BEV	1	Oshkosh Defense
26	U022FA	SPRING,FUEL DOOR	1	Oshkosh Defense
27	U022EA	DOOR,RECEPTACLE	1	Oshkosh Defense
28	U022DA	BRKT,MTG,RCPT, FASCIA	1	Oshkosh Defense
28	U022DB	BRKT,FASCIA, RECEPTACLE,BEV,REFER TO VIN	1	Oshkosh Defense
29	U022CA	FASCIA,BEV,FRONT	1	Oshkosh Defense
30	U021YA	SEAL,FOAM 25.4X31.75X824	1	Oshkosh Defense
31	U021KA	FASCIA,RIGHT	1	Oshkosh Defense
32	U022BA	BRKT,BEV MTG,ASSY	1	Oshkosh Defense
32	U022BB	BRKT,BEV,MTG REFER TO VIN	1	Oshkosh Defense
33	U021NA	BRKT,HEADLIGHT MTG,	1	Oshkosh Defense
34	U021WA	PANEL,FRONT QUARTER,RH	1	Oshkosh Defense
35	U022JA	PUSHPIN,ARW 6X17X16	1	Oshkosh Defense
36	U022KA	COVER,CONDENSER, BEV,ASSY	1	Oshkosh Defense
37	U022LA	SEAL,RECT 12.7X19.05X625 EPDM	2	Oshkosh Defense
38	U527DA	WIRE HARN,CHAS, FASCIA	1	Oshkosh Defense

